

INDEX INDEX INDEX ÍNDICE

COD.	PAG.
PRO3 Flow - Cod.900.0367	2
PRO5 End RH-LH - Cod.900.0370-0371	3
PRO5 Flow RH-LH - Cod.900.0368-0369	4

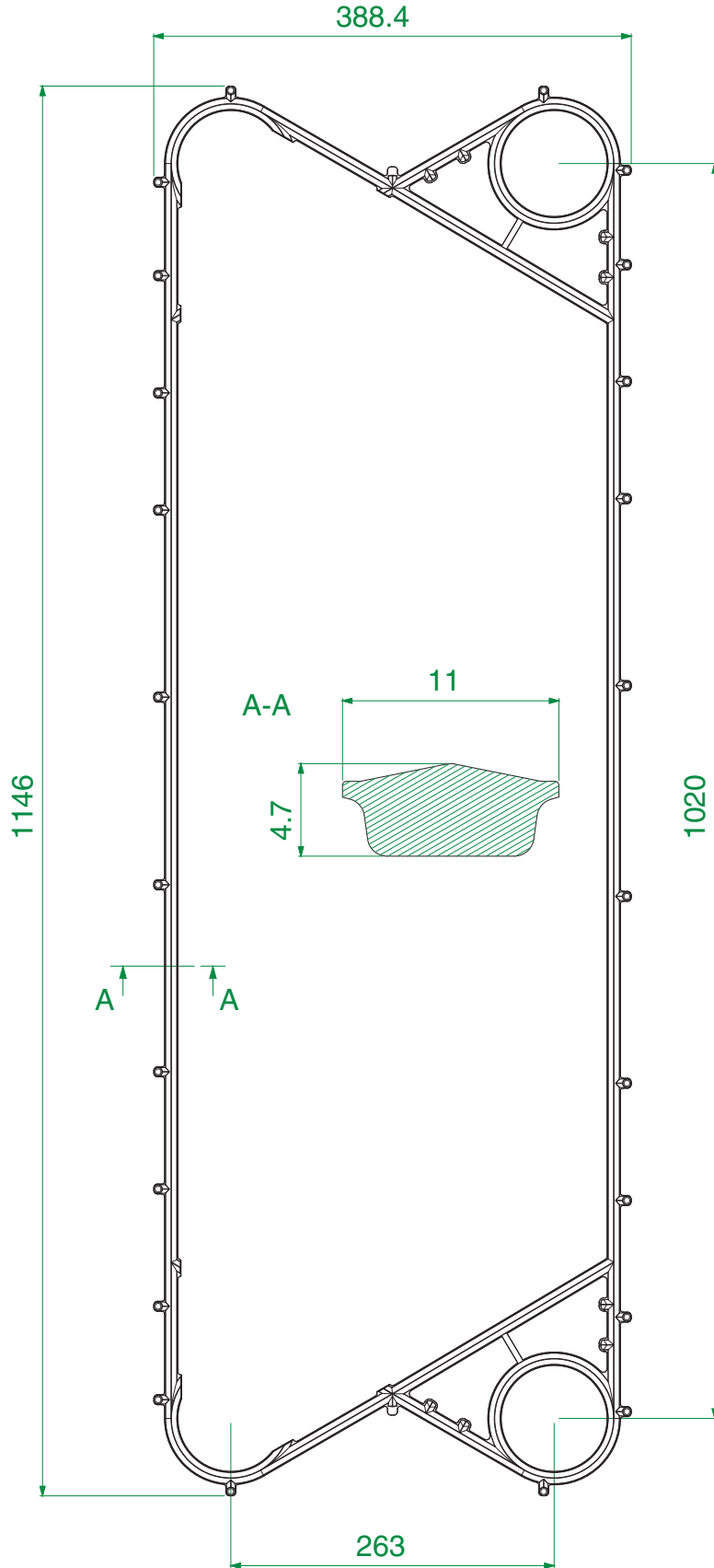
EXCHANGERS

ECHANGEURS

WÄRMEAUSTAUSCHER

INTERCAMBIADORES

Pos	Orobica Code	Model	Brand	Gasket Type	Q.ty
-	900.0367	PRO 3	AGC	CLIP FLOW GASKET	-



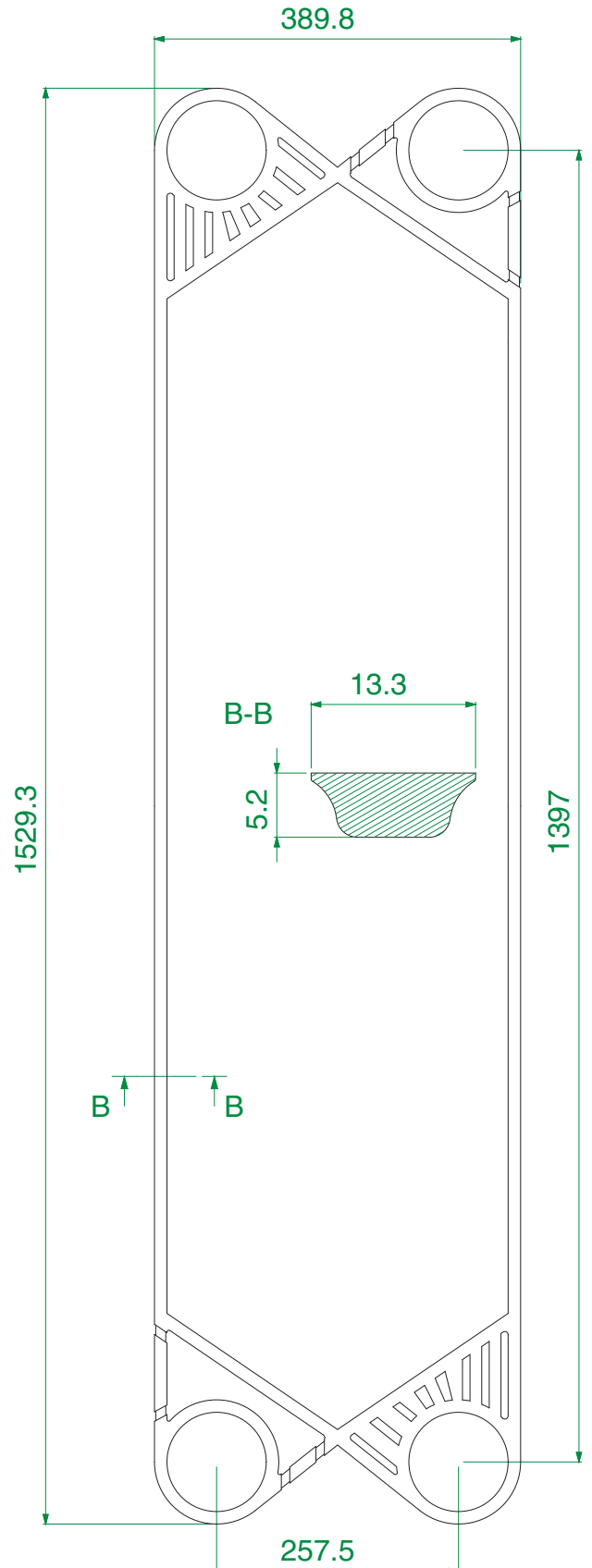
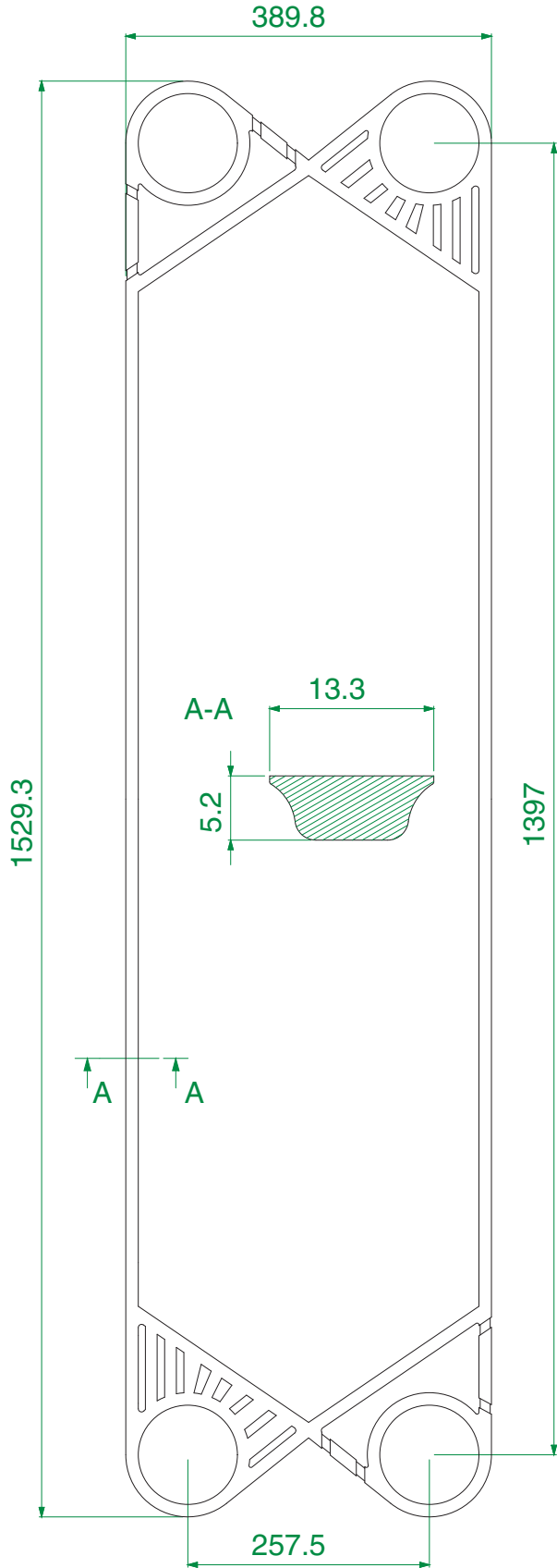
EXCHANGERS

ECHANGEURS

WÄRMEAUSTAUSCHER

INTERCAMBIADORES

Pos	Orobica Code	Model	Brand	Gasket Type	Q.ty
01	900.0370	PRO 5	AGC	RIGHT CLIP INITIAL-END GASKET	-
02	900.0371	PRO 5	AGC	LEFT CLIP INITIAL-END GASKET	-



EXCHANGERS

ECHANGEURS

WÄRMEAUSTAUSCHER

INTERCAMBIADORES

Pos	Orobica Code	Model	Brand	Gasket Type	Q.ty
01	900.0368	PRO 5	AGC	RIGHT CLIP FLOW GASKET	-
02	900.0369	PRO 5	AGC	LEFT CLIP FLOW GASKET	-

