

INDEX	INDEX	INDEX	ÍNDICE
<b>COD.</b>			<b>PAG.</b>
SIGMA 32 Flow - Cod.900.0013			148
SIGMA 32 Port Ring H=5,2 - Cod.900.0217			149
SIGMA 52 Flow - Cod.900.0019			150
SIGMA 52 Port Ring H=6,0 - Cod.900.0127			151
SIGMA K22 Flow Glued - Cod.900.0070			152
SIGMA K22 Port Ring H=5,2 Cod.900.0071			153
SIGMA K27 Flow Glued - Cod.900.0200			154
SIGMA K37 Flow Glued - Cod.900.0015			155
SIGMA K37-M37 Port Ring H=5,1 - Cod.900.0335			156
SIGMA K37-M37 Port Ring H=6,5 - Cod.900.0471			157
SIGMA K65 Flow Glued - Cod.900.0129			158
SIGMA K65-M65 Port Ring H=5,0 - Cod.900.0130			159
SIGMA M26 End Set - Cod.900.0429			160
SIGMA M26 Flow Sigmafex - Cod.900.0415			161
SIGMA M26 Port Ring H=6,15 - Cod.900.0437			162
SIGMA M27 Flow Sigmafex - Cod.900.0216			163
SIGMA M36 End Set - Cod.900.0529			164
SIGMA M36 Flow Sigmafex - Cod.900.0528			165
SIGMA M65 Flow Sigmafex - Cod.900.0377			166
SIGMA M65-K65 Port Ring H=5,0 - Cod.900.0130			167
SIGMA M66 End Port Ring H=4,9 - Cod.900.0420			168
SIGMA M66 End Set - Cod.900.0410 1			169
SIGMA M66 Flow Sigmafex - Cod.900.0410			170
SIGMA M66 Port Ring H=4,9 - Cod.900.0420			171
SIGMA M66 Port-Ring H=5,6 - Cod.900.0511			172
SIGMA X13 Flow Sigmafex - Cod.900.0595			173
SIGMA X19 Flow Sigmafex - Cod.900.0596			174
SIGMA X29 Flow Sigmafex - Cod.900.0569			175

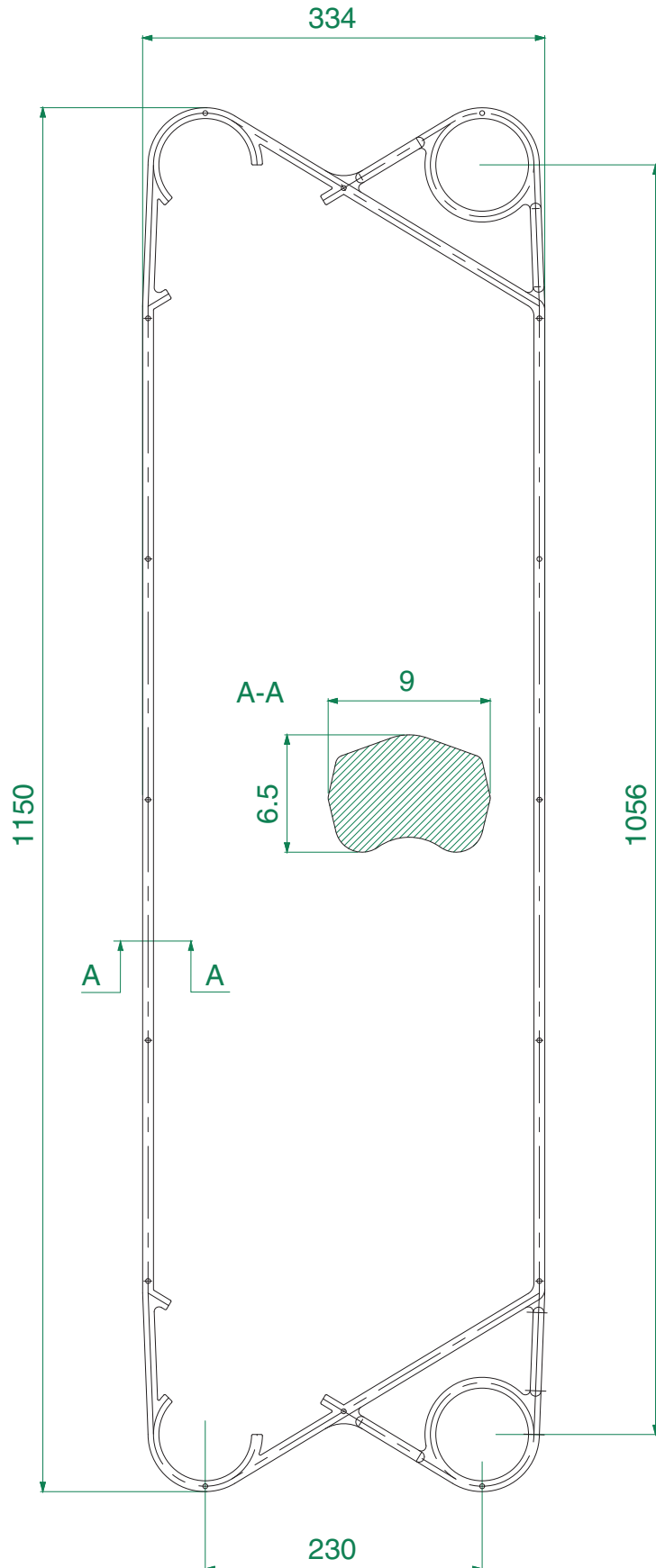
EXCHANGERS

ECHANGEURS

WÄRMEAUSTAUSCHER

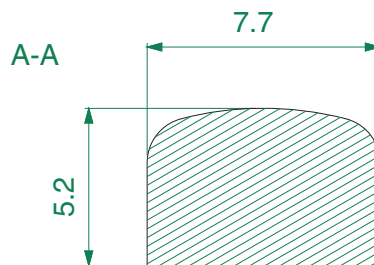
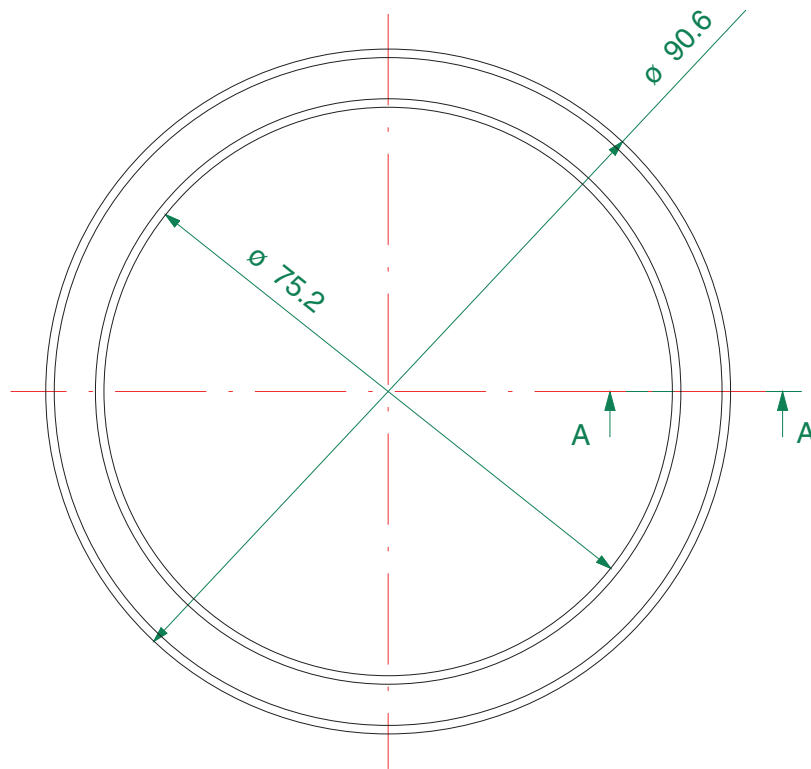
INTERCAMBIADORES

Pos	Orobica Code	Model	Brand	Gasket Type	Q.ty
-	900.0013	SIGMA 32	API-SCHMIDT	FLOWPLATE GASKET	-



Pos	Orobica Code	Model	Brand	Gasket Type	Q.ty
-	900.0217	SIGMA 32	API-SCHMIDT	PORT RING GASKET	-

1:1 SCALE



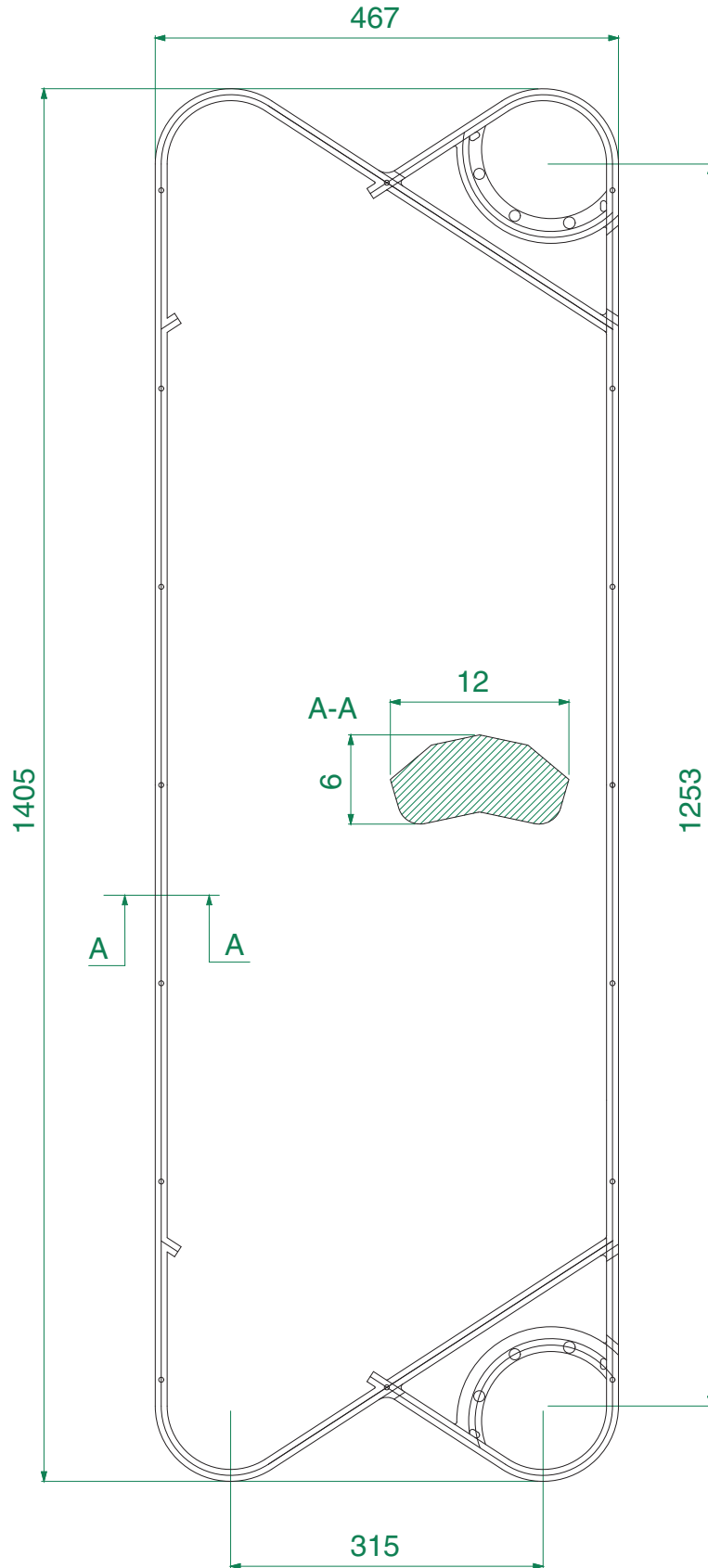
EXCHANGERS

ECHANGEURS

WÄRMEAUSTAUSCHER

INTERCAMBIADORES

Pos	Orobica Code	Model	Brand	Gasket Type	Q.ty
-	900.0019	SIGMA 52	API-SCHMIDT	FLOWPLATE GASKET	-



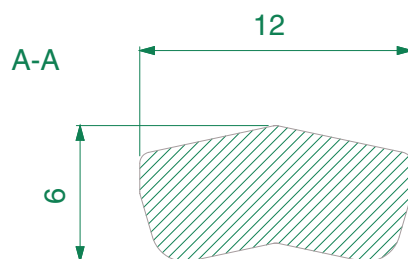
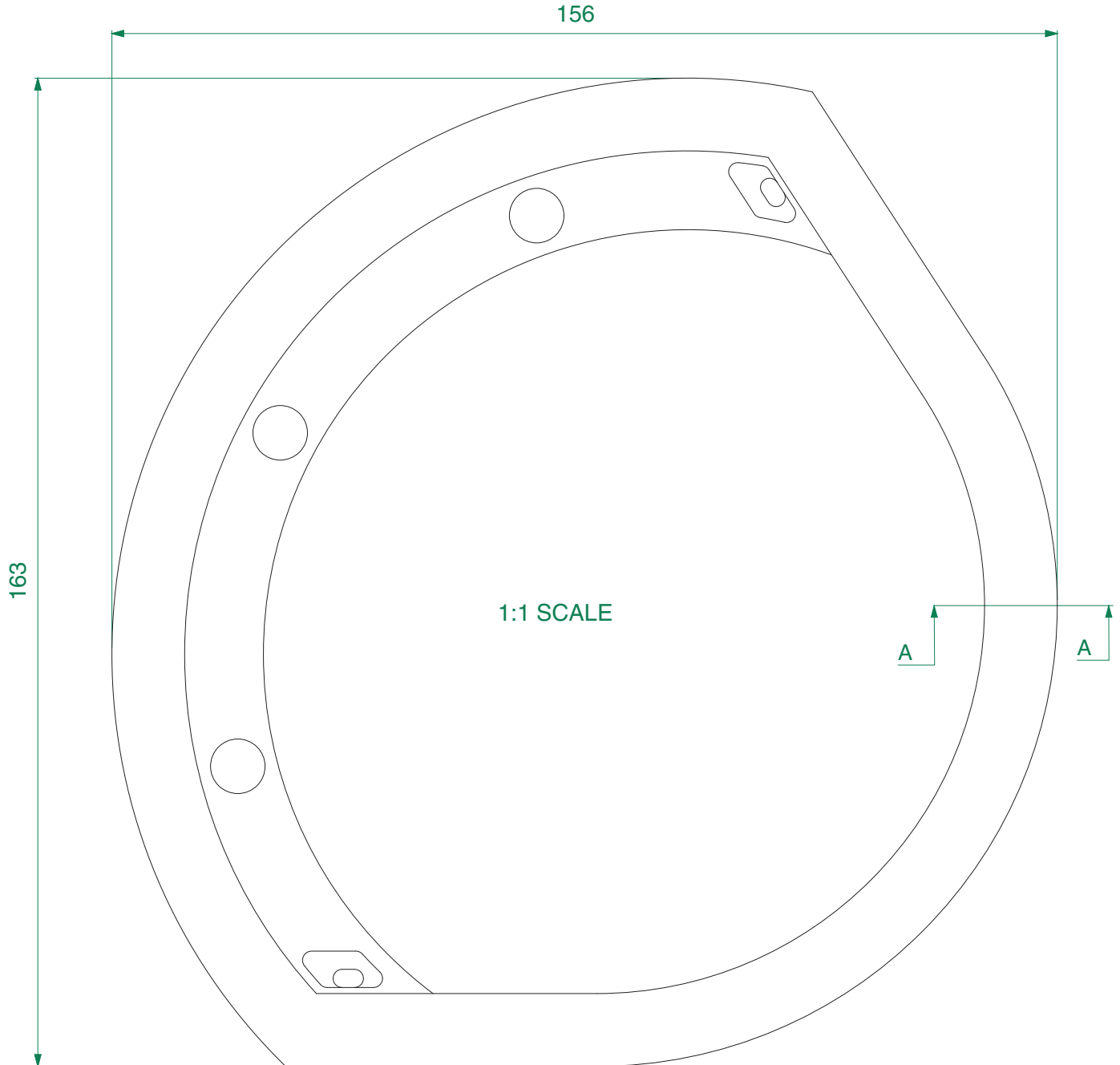
EXCHANGERS

ECHANGEURS

WÄRMEAUSTAUSCHER

INTERCAMBIADORES

Pos	Orobica Code	Model	Brand	Gasket Type	Q.ty
-	900.0127	SIGMA 52	API-SCHMIDT	PORT RING GASKET	-



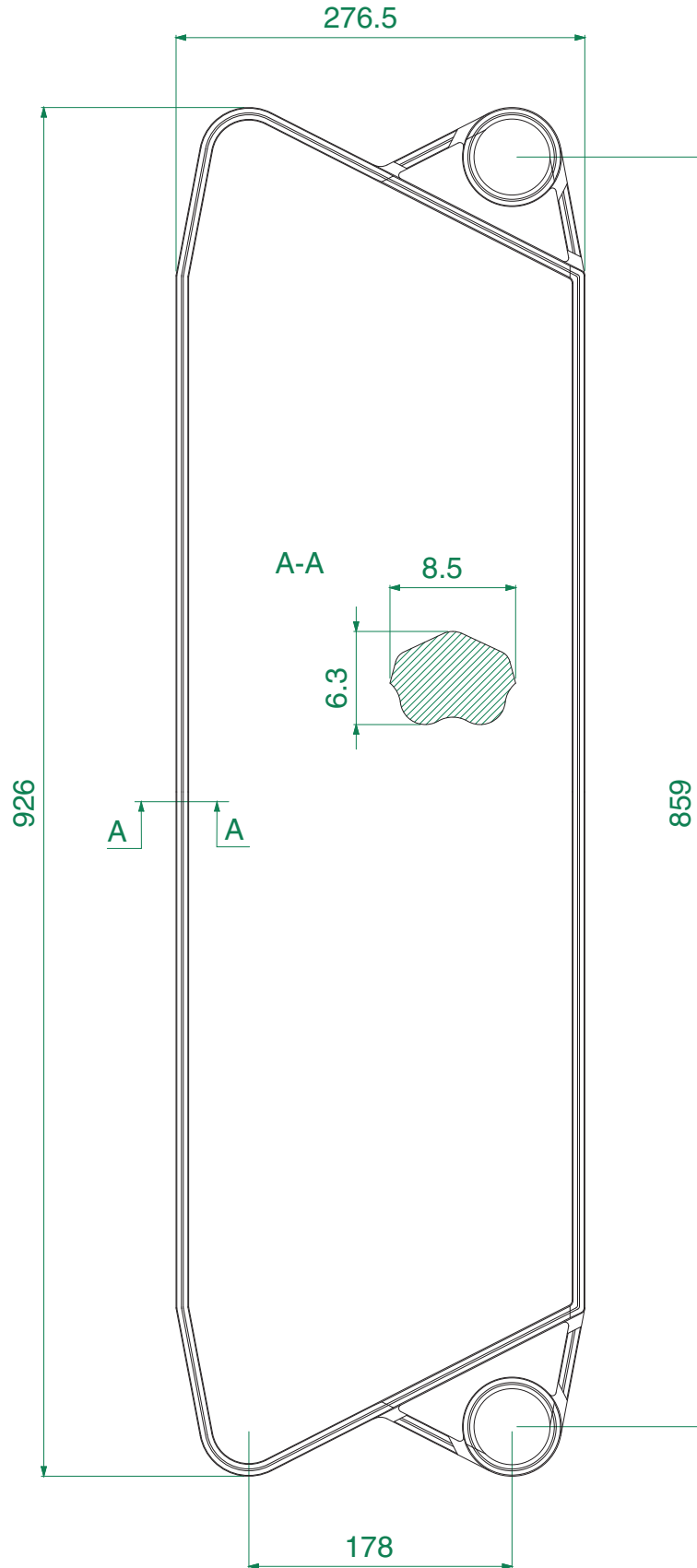
EXCHANGERS

ECHANGEURS

WÄRMEAUSTAUSCHER

INTERCAMBIADORES

Pos	Orobica Code	Model	Brand	Gasket Type	Q.ty
-	900.0070	SIGMA 22 GLUED-SIGMA K22	API-SCHMIDT	FLOWPLATE GASKET	-



EXCHANGERS

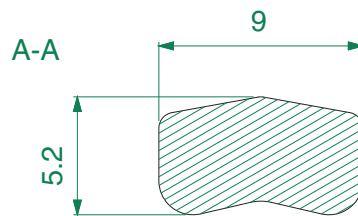
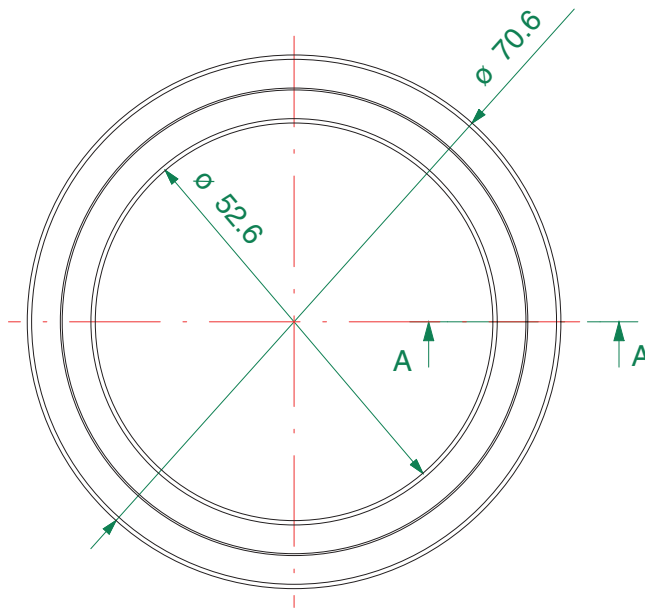
ECHANGEURS

WÄRMEAUSTAUSCHER

INTERCAMBIADORES

Pos	Orobica Code	Model	Brand	Gasket Type	Q.ty
-	900.0071	SIGMA 22 GLUED-SIGMA K22	API-SCHMIDT	PORT RING GASKET	-

1:1 SCALE



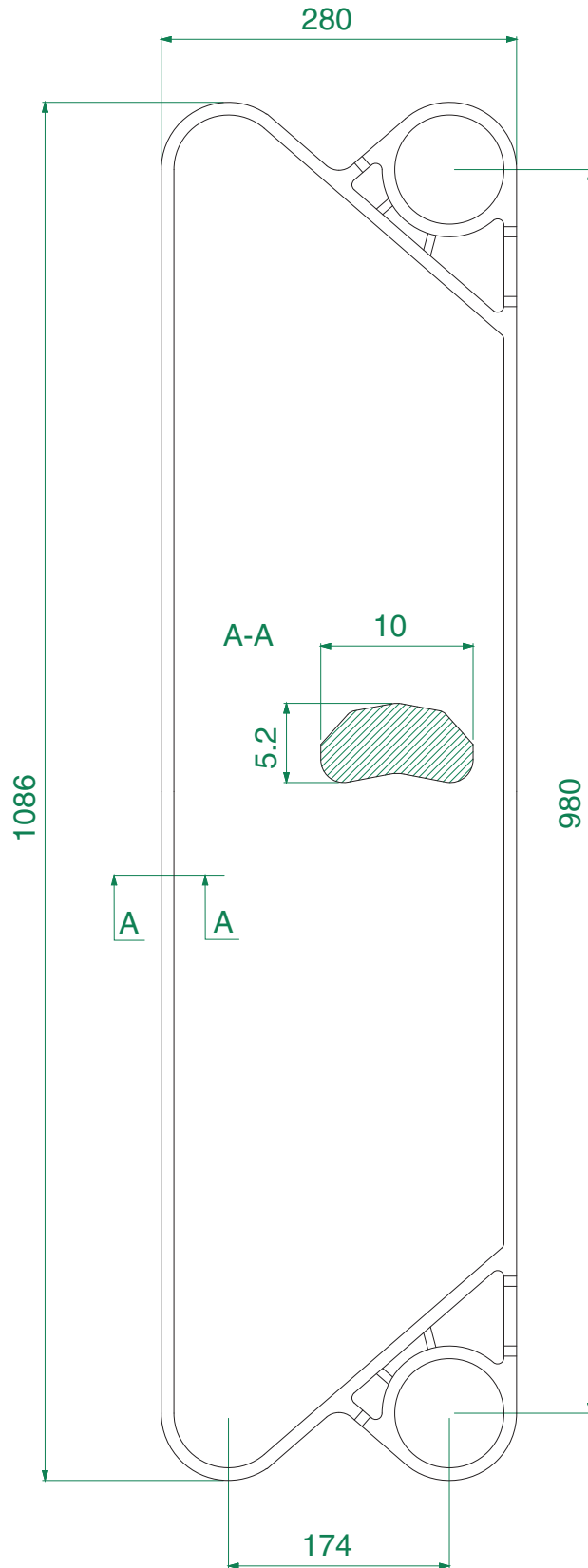
EXCHANGERS

ECHANGEURS

WÄRMEAUSTAUSCHER

INTERCAMBIADORES

Pos	Orobica Code	Model	Brand	Gasket Type	Q.ty
-	900.0200	SIGMA 27 GLUED-SIGMA K27	API-SCHMIDT	GLUED FLOWPLATE GASKET	-





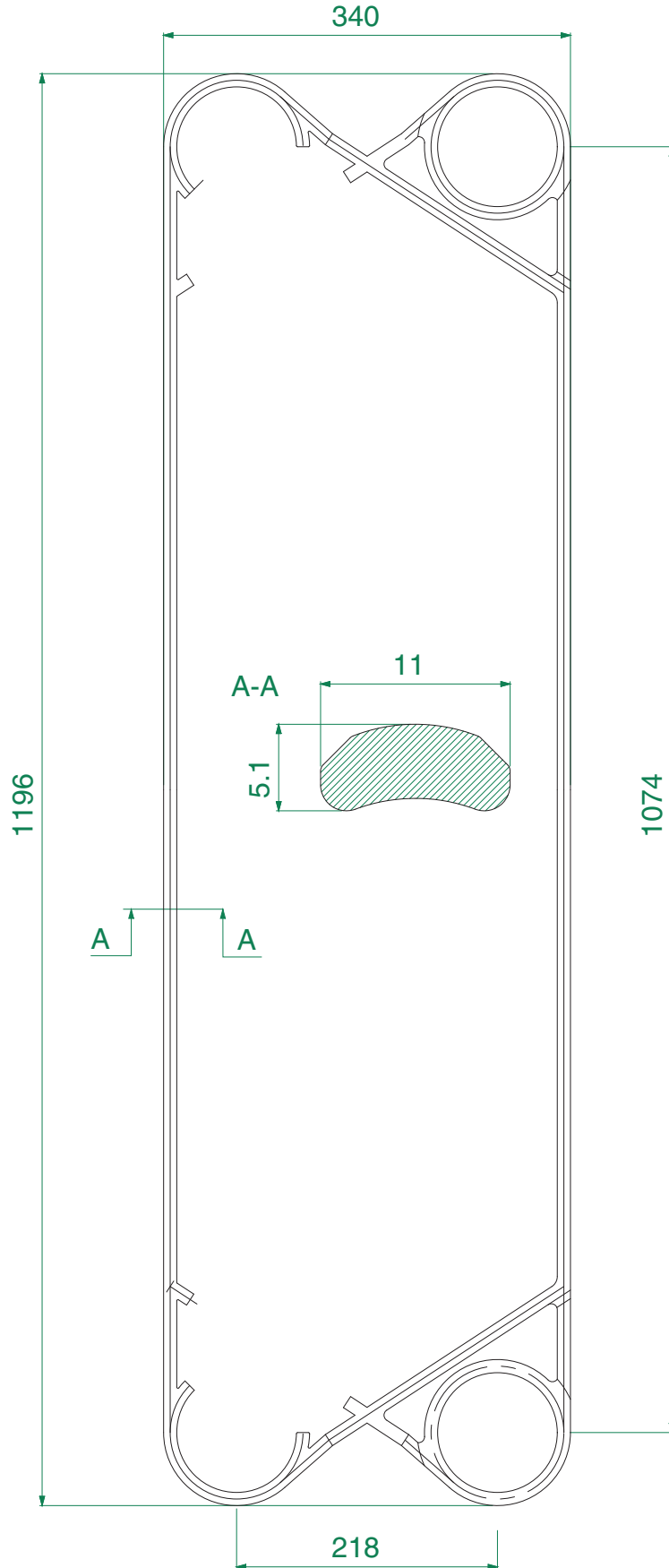
EXCHANGERS

ECHANGEURS

WÄRMEAUSTAUSCHER

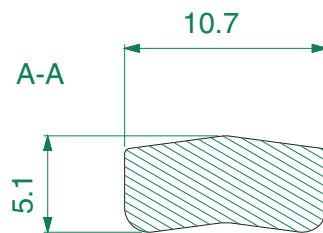
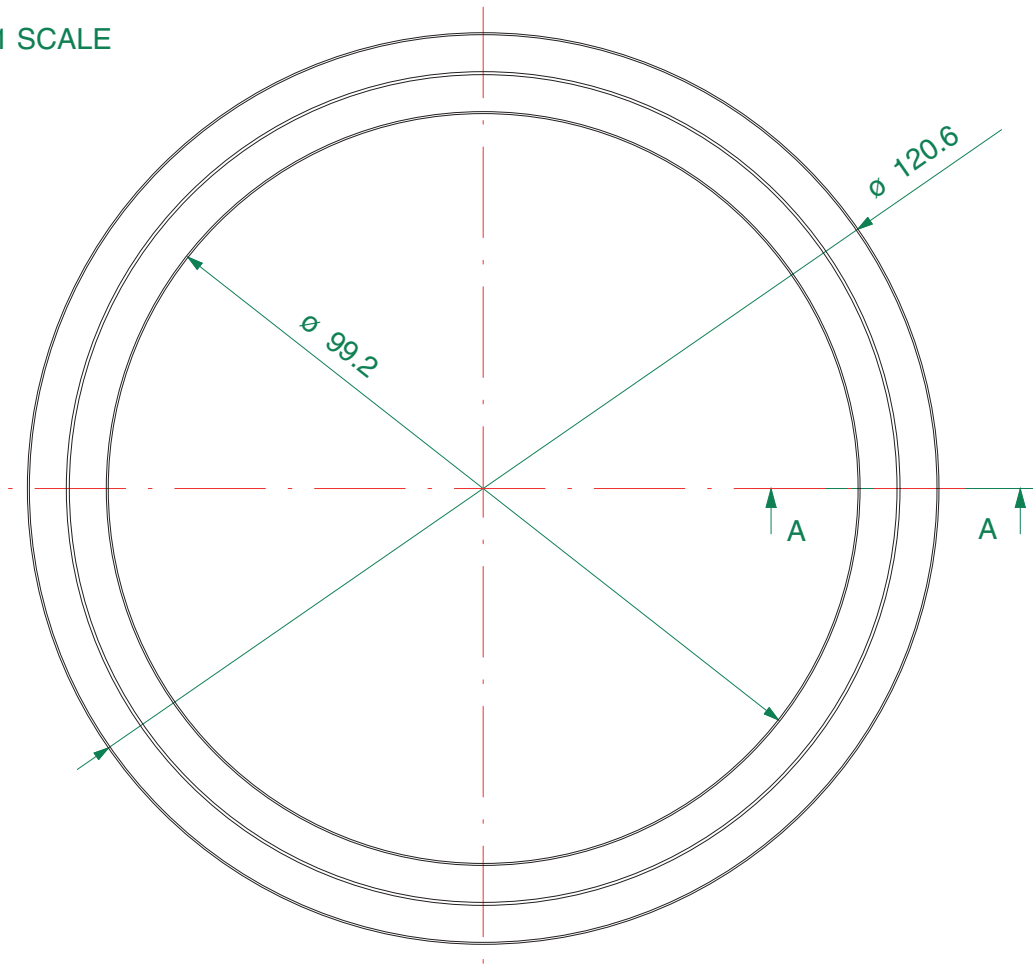
INTERCAMBIADORES

Pos	Orobica Code	Model	Brand	Gasket Type	Q.ty
-	900.0015	SIGMA 37 GLUED-SIGMA K37	API-SCHMIDT	FLOW GASKET	-

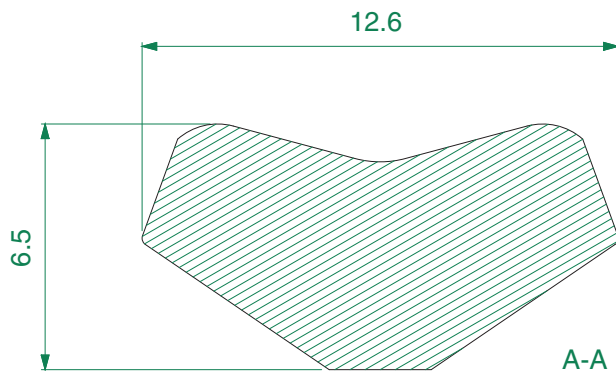
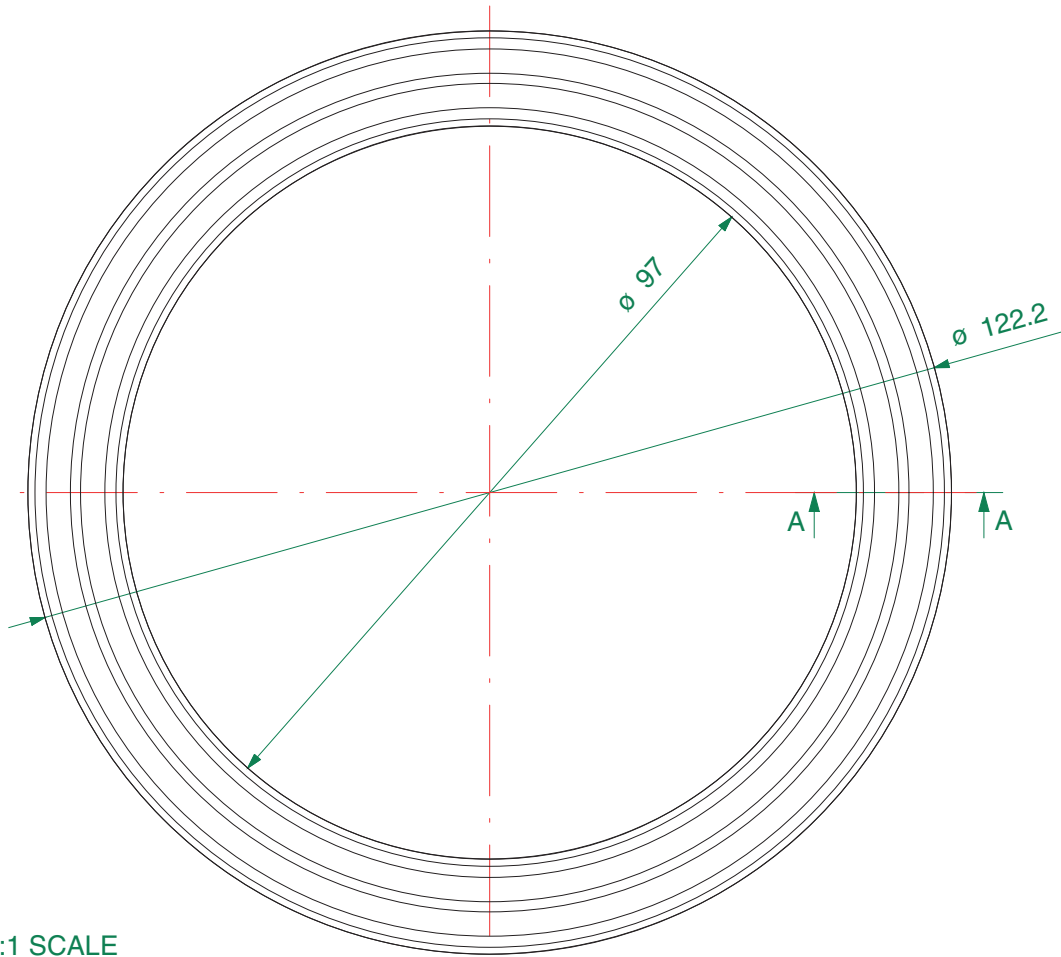


Pos	Orobica Code	Model	Brand	Gasket Type	Q.ty
-	900.0335	SIGMA K37 - SIGMA M37	API-SCHMIDT	PORT RING GASKET	-

1:1 SCALE



Pos	Orobica Code	Model	Brand	Gasket Type	Q.ty
-	900.0471	SIGMA K37 - SIGMA M37	API-SCHMIDT	PORT-RING GASKET	-



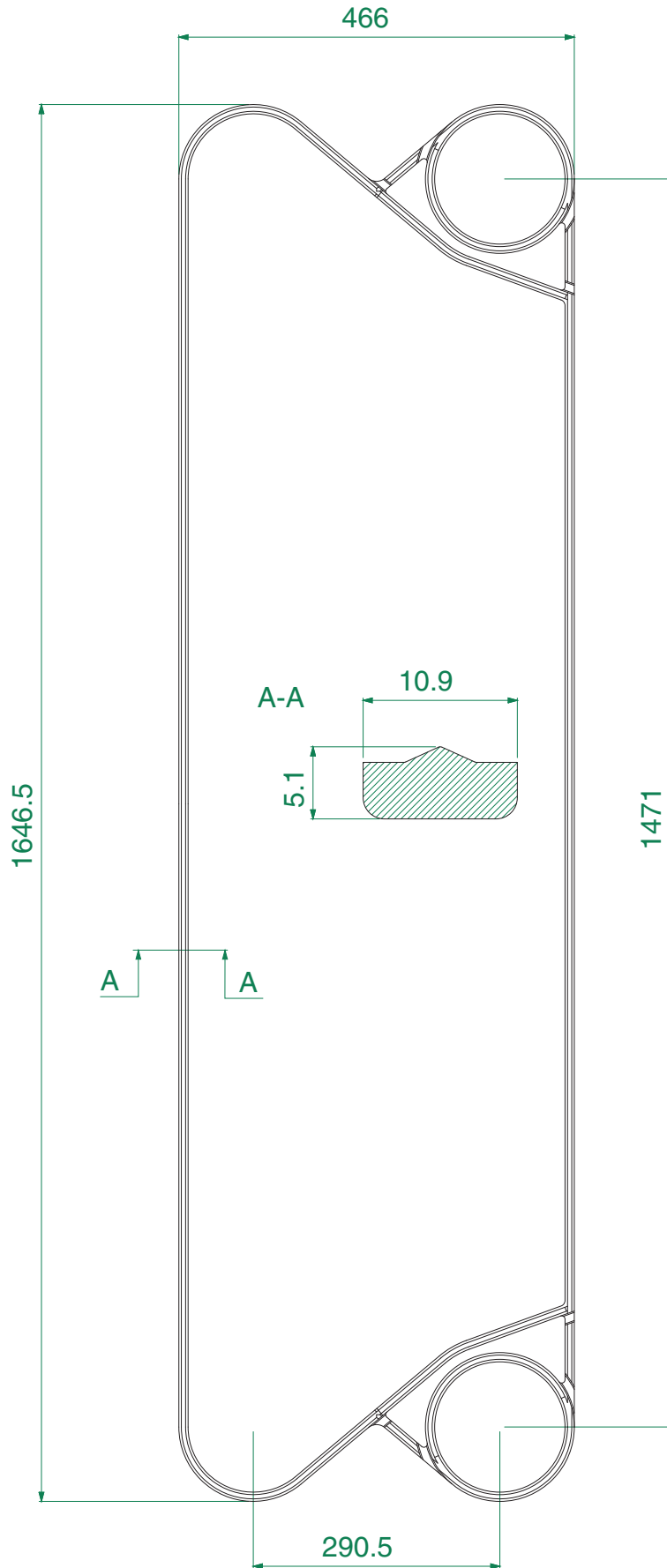
EXCHANGERS

ECHANGEURS

WÄRMEAUSTAUSCHER

INTERCAMBIADORES

Pos	Orobica Code	Model	Brand	Gasket Type	Q.ty
-	900.0129	SIGMA 65 GLUED-SIGMA K65	API-SCHMIDT	GLUED FLOWPLATE GASKET	-



EXCHANGERS

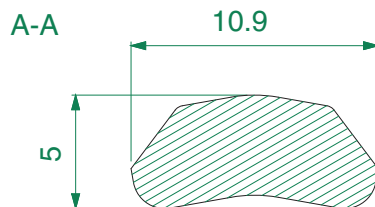
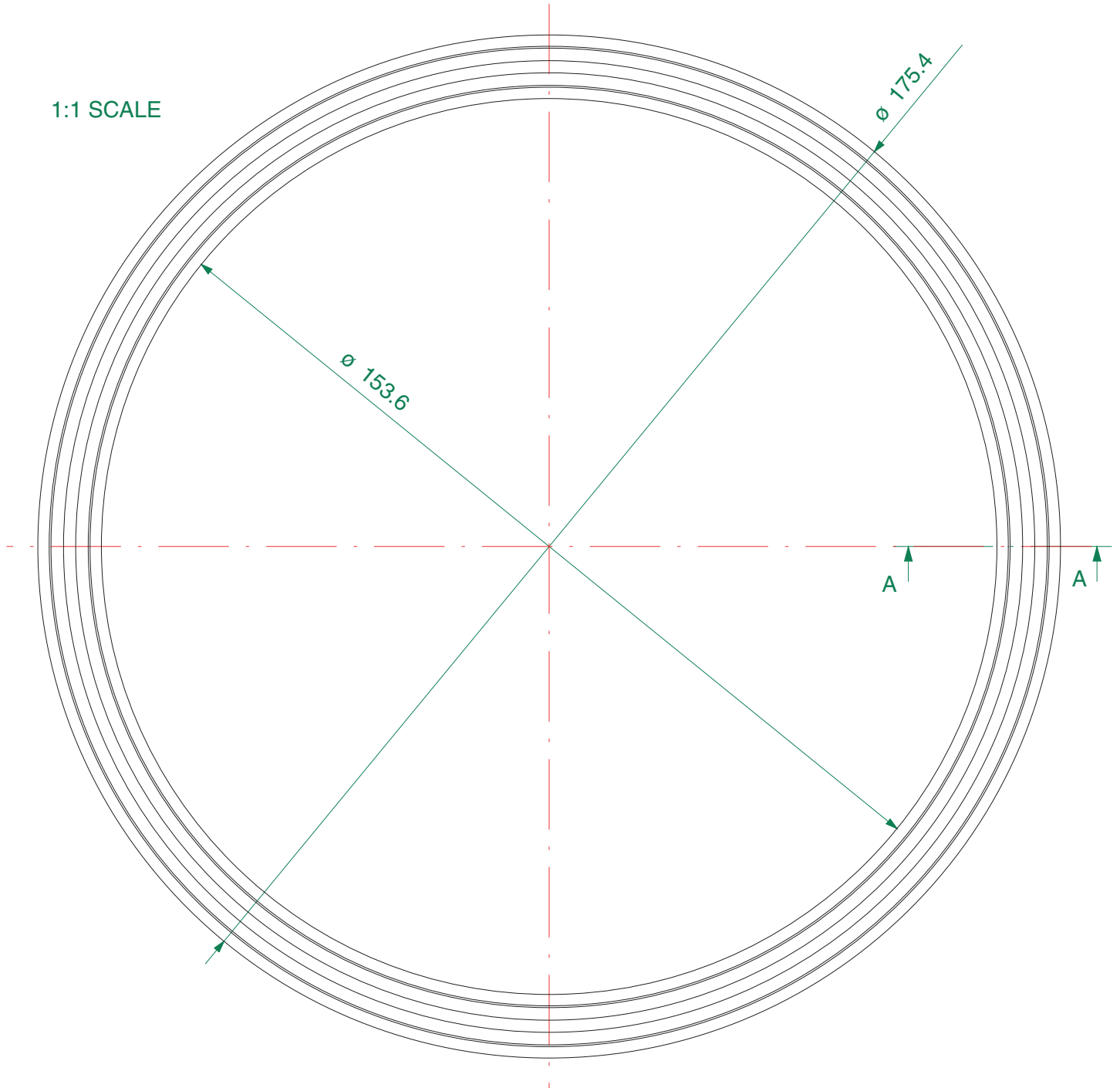
ECHANGEURS

WÄRMEAUSTAUSCHER

INTERCAMBIADORES

Pos	Orobica Code	Model	Brand	Gasket Type	Q.ty
-	900.0130	SIGMA K65 - SIGMA M65	API-SCHMIDT	PORT RING GASKET	-

1:1 SCALE



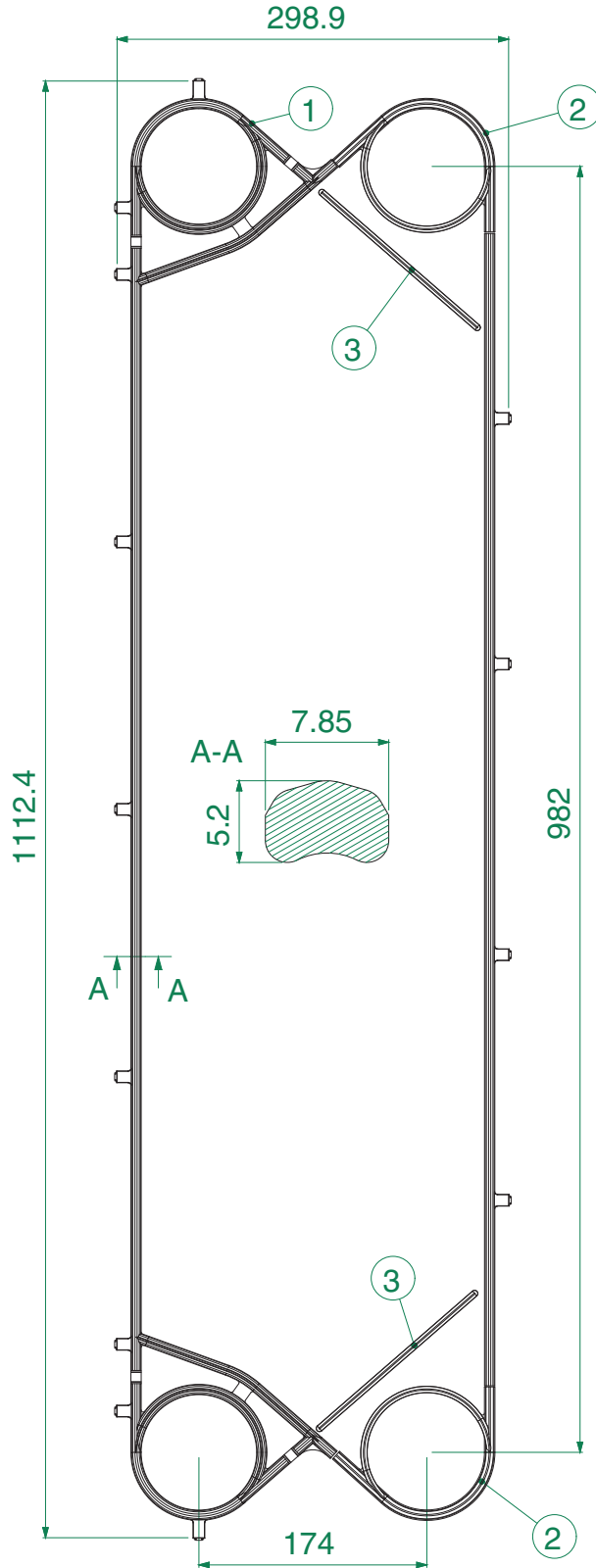
EXCHANGERS

ECHANGEURS

WÄRMEAUSTAUSCHER

INTERCAMBIADORES

Pos	Orobica Code	Model	Brand	Gasket Type	Q.ty
1-3	900.0429	SIGMA M26	SCHMIDT	SIGMAFIX END GASKET	1
1	900.0415	SIGMA M26	SCHMIDT	SIGMAFIX FLOW GASKET	1
2	900.0430	SIGMA M26	SCHMIDT	END RING GASKET	2
3	900.0431	SIGMA M26	SCHMIDT	END CONNECTION GASKET	2



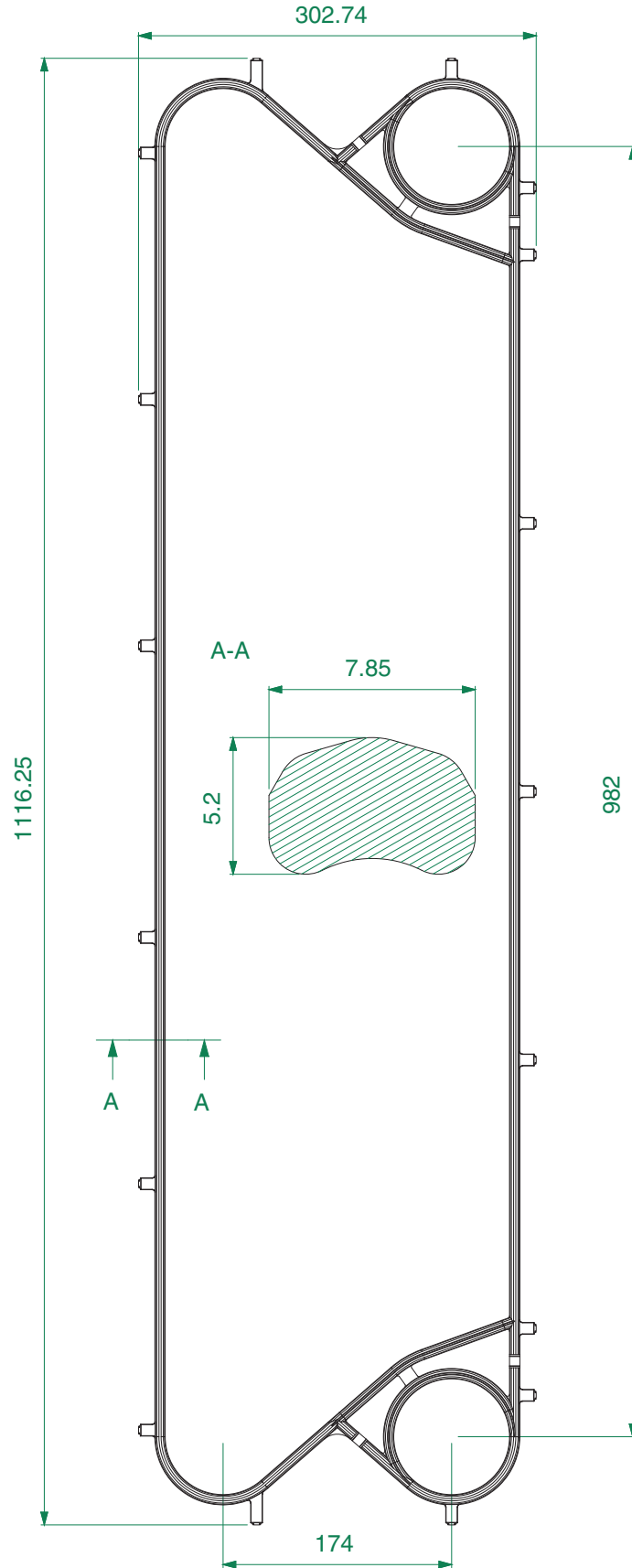
EXCHANGERS

ECHANGEURS

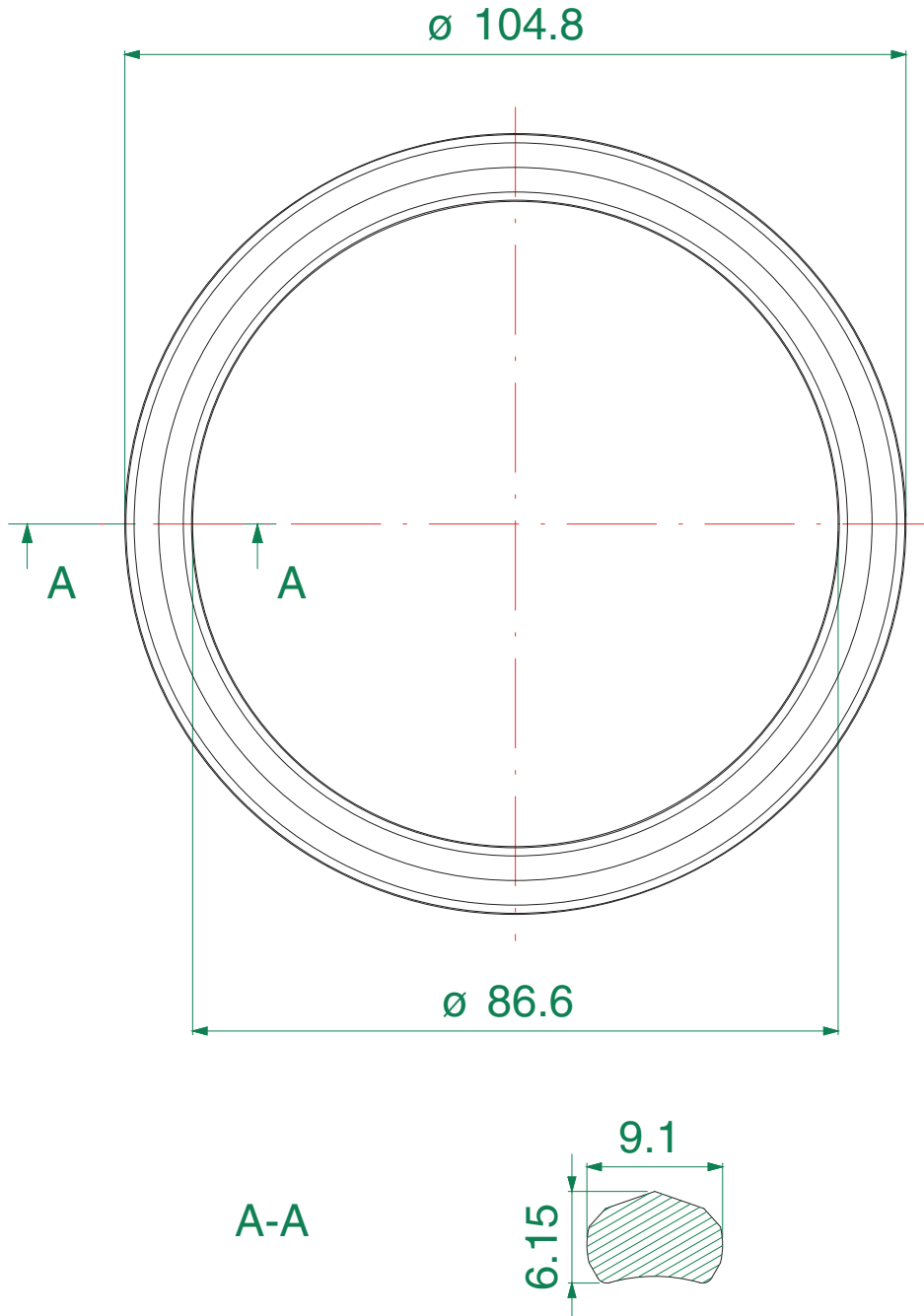
WÄRMEAUSTAUSCHER

INTERCAMBIADORES

Pos	Orobica Code	Model	Brand	Gasket Type	Q.ty
-	900.0415	SIGMA M26H	SCHMIDT	SIGMAFIX FLOW GASKET	-



Pos	Orobica Code	Model	Brand	Gasket Type	Q.ty
-	900.0437	SIGMA M26	API-SCHMIDT	PORT RING	-





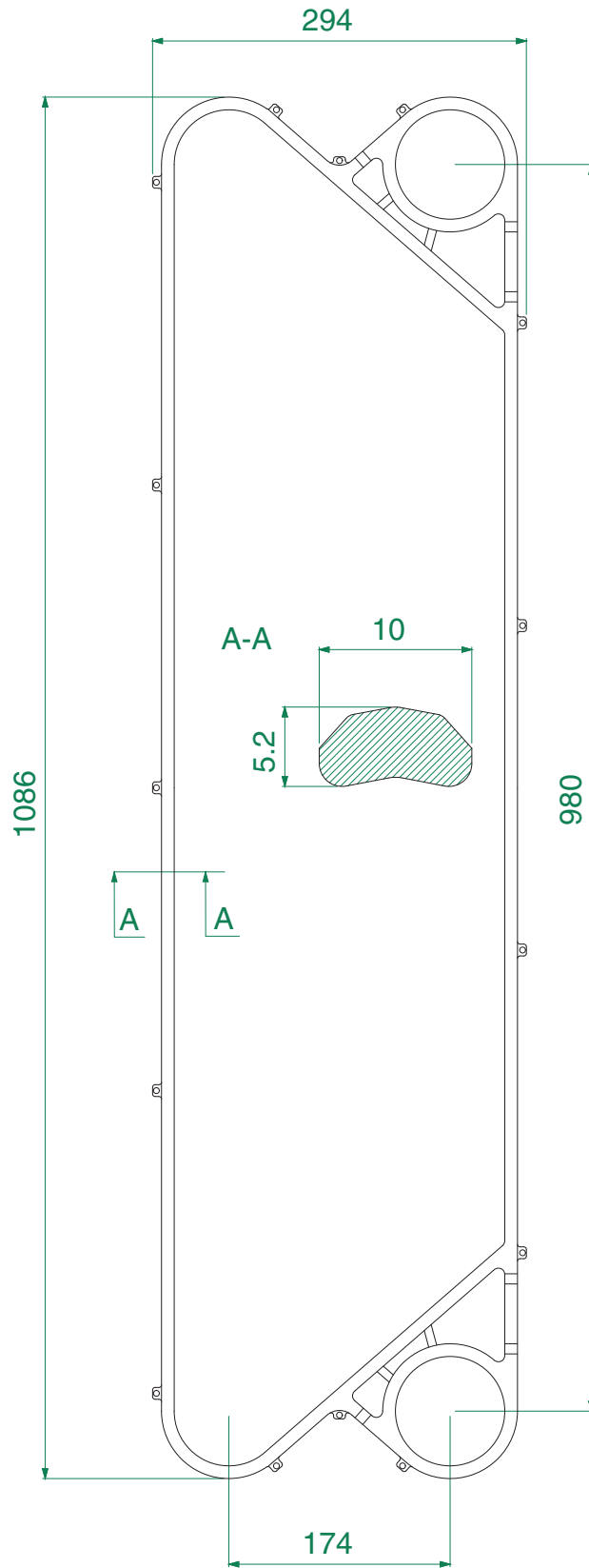
EXCHANGERS

ECHANGEURS

WÄRMEAUSTAUSCHER

INTERCAMBIADORES

Pos	Orobica Code	Model	Brand	Gasket Type	Q.ty
-	900.0216	SIGMA 27 SIGMAFIX-SIGMA M27	API-SCHMIDT	SIGMAFIX FLOWPLATE GASKET	-



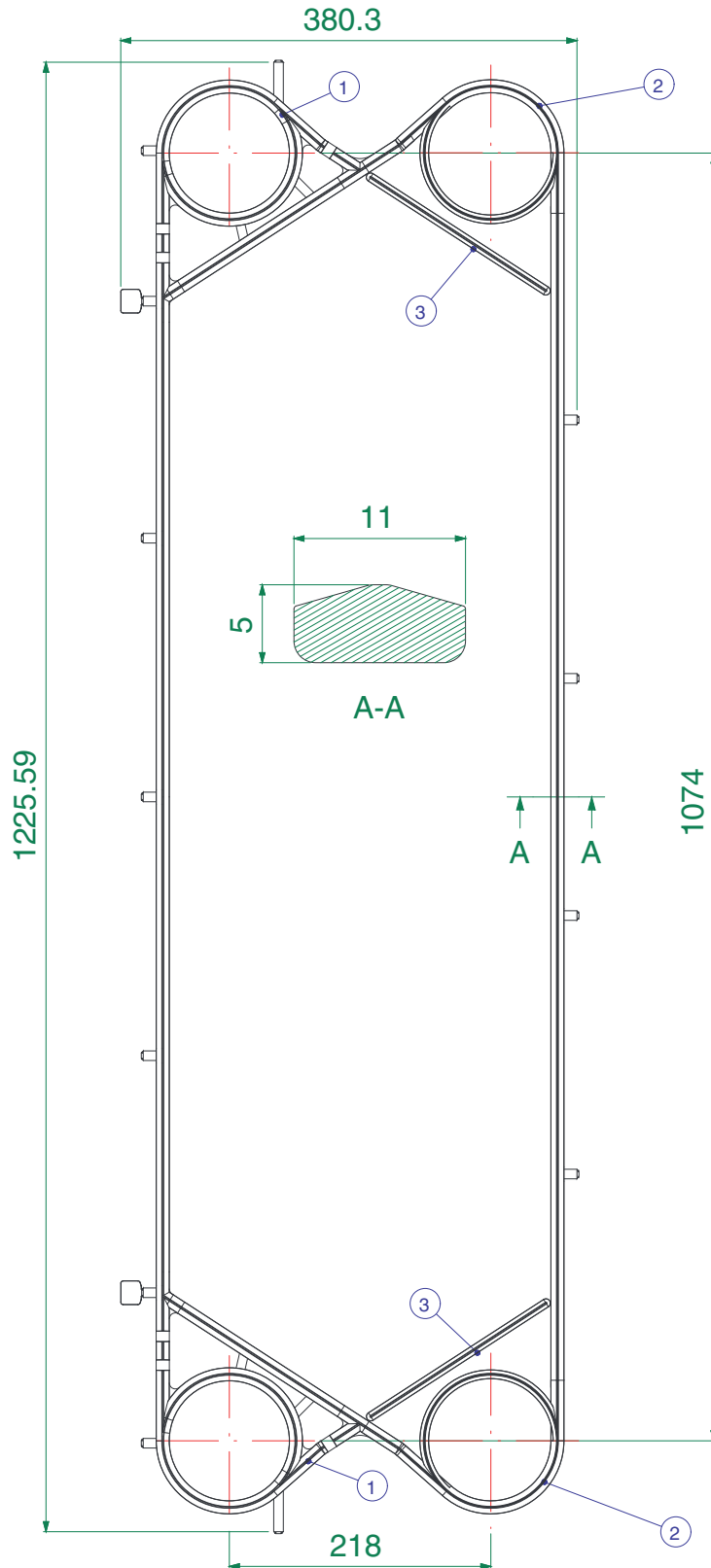
EXCHANGERS

ECHANGEURS

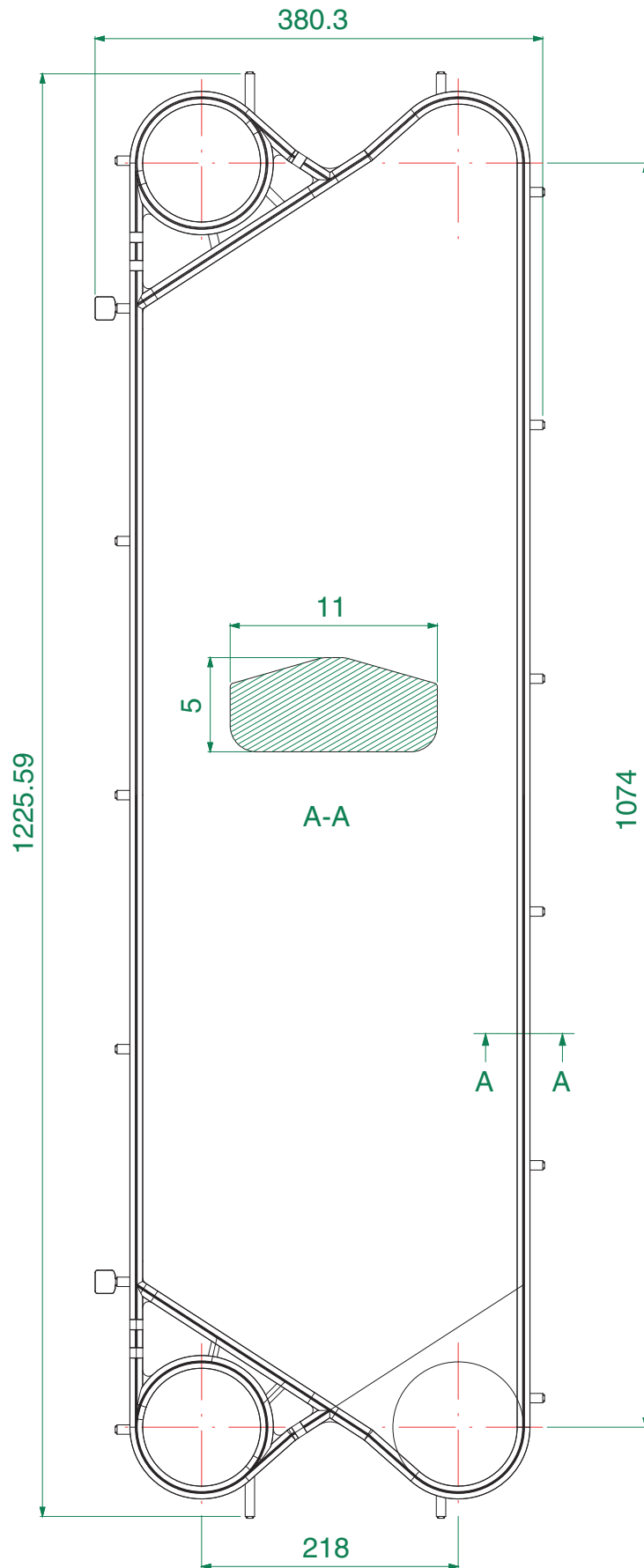
WÄRMEAUSTAUSCHER

INTERCAMBIADORES

Pos	Orobica Code	Model	Brand	Gasket Type	Q.ty
1-3	900.0529	SIGMA M36	SCHMIDT	SIGMAFIX END GASKET	1
1	900.0528	SIGMA M36	SCHMIDT	SIGMAFIX FLOW GASKET	1
2	900.0530	SIGMA M36	SCHMIDT	END RING GASKET	2
3	900.0531	SIGMA M36	SCHMIDT	END CONNECT GASKET	2



Pos	Orobica Code	Model	Brand	Gasket Type	Q.ty
-	900.0528	SIGMA M36	SCHMIDT	SIGMAFIX FLOW GASKET	-



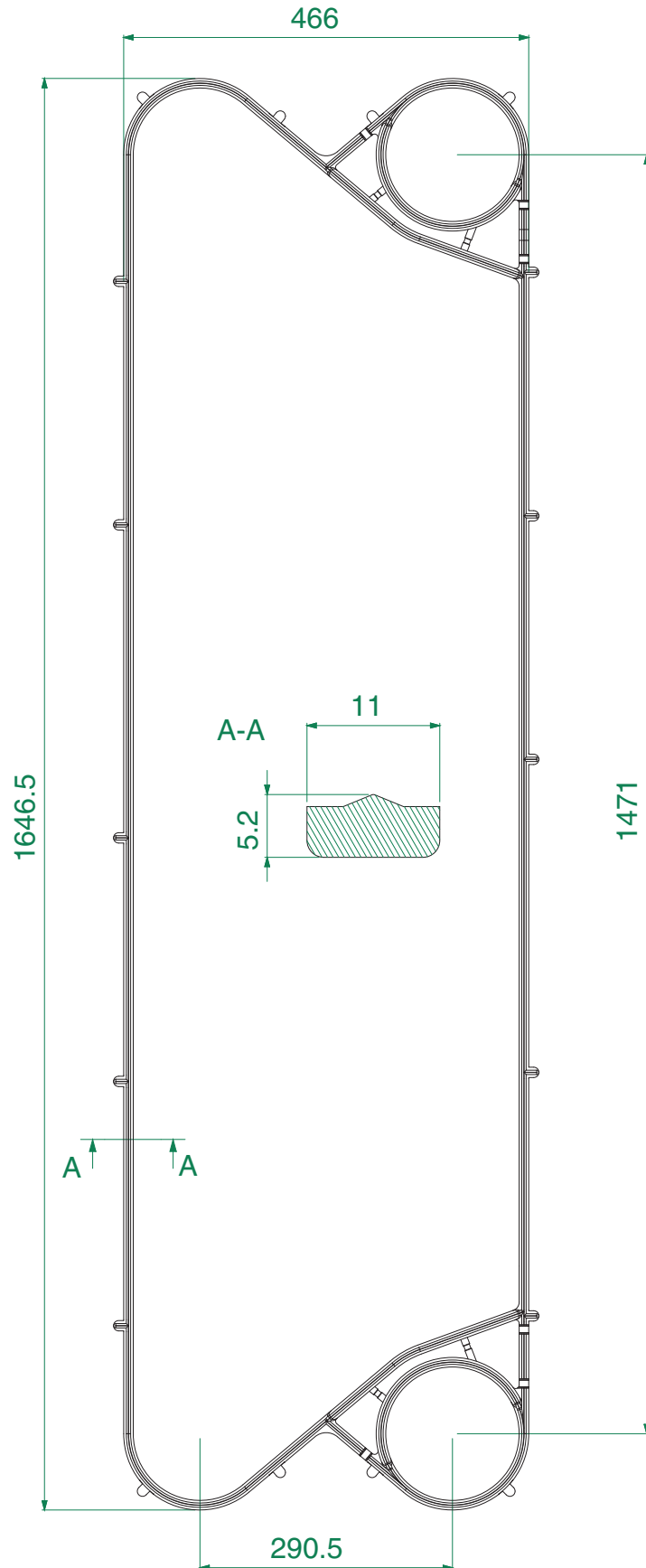
EXCHANGERS

ECHANGEURS

WÄRMEAUSTAUSCHER

INTERCAMBIADORES

Pos	Orobica Code	Model	Brand	Gasket Type	Q.ty
-	900.0377	SIGMA 65 SIGMAFIX-SIGMA M65	API-SCHMIDT	SIGMAFIX FLOWPLATE GASKET	-



EXCHANGERS

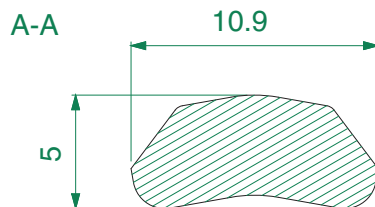
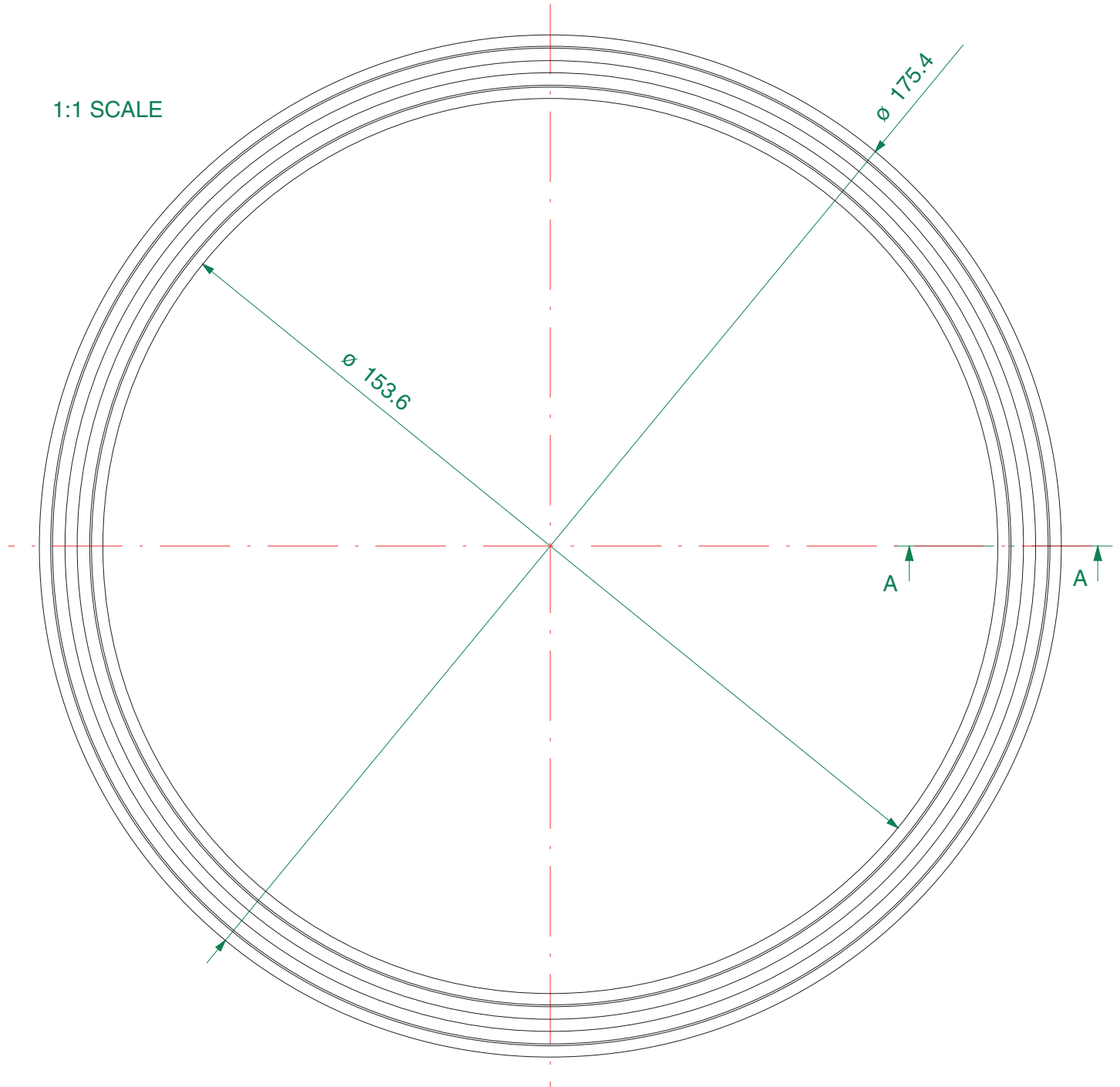
ECHANGEURS

WÄRMEAUSTAUSCHER

INTERCAMBIADORES

Pos	Orobica Code	Model	Brand	Gasket Type	Q.ty
-	900.0130	SIGMA K65 - SIGMA M65	API-SCHMIDT	PORT RING GASKET	-

1:1 SCALE



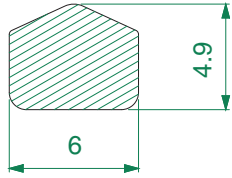
EXCHANGERS

ECHANGEURS

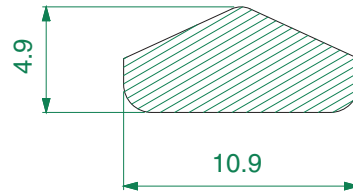
WÄRMEAUSTAUSCHER

INTERCAMBIADORES

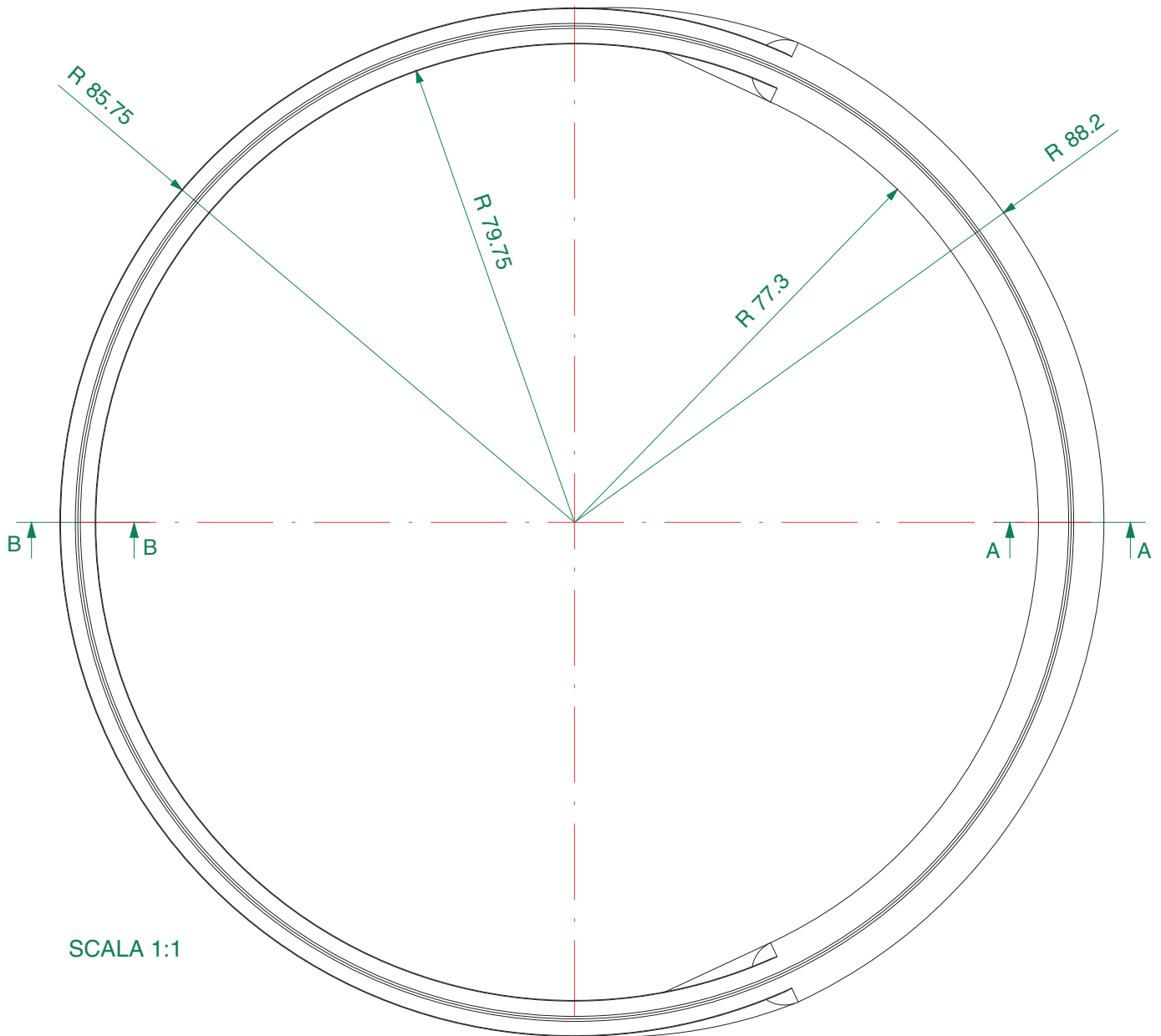
Pos	Orobica Code	Model	Brand	Gasket Type	Q.ty
-	900.0420	SIGMA M66	SCHMIDT	END RING GASKET	-



Sezione B-B



Sezione A-A



SCALA 1:1

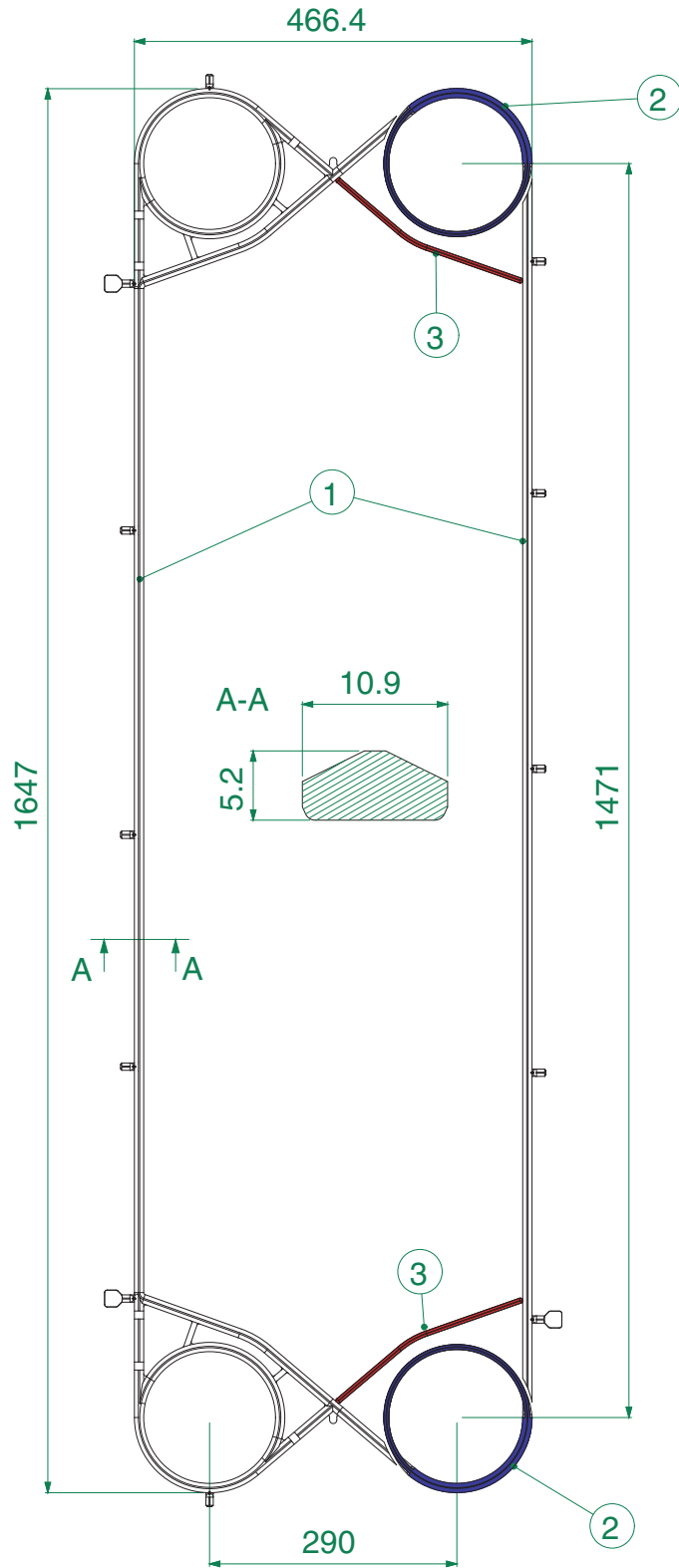
EXCHANGERS

ECHANGEURS

WÄRMEAUSTAUSCHER

INTERCAMBIADORES

Pos	Orobica Code	Model	Brand	Gasket Type	Q.ty
1-3	900.04101	SIGMA M66	SCHMIDT	SIGMAFIX END GASKET	1
1	900.0410	SIGMA M66	SCHMIDT	SIGMAFIX FLOW GASKET	1
2	900.0420	SIGMA M66	SCHMIDT	END RING GASKET	2
3	900.0421	SIGMA M66	SCHMIDT	END CONNECTION GASKET	2



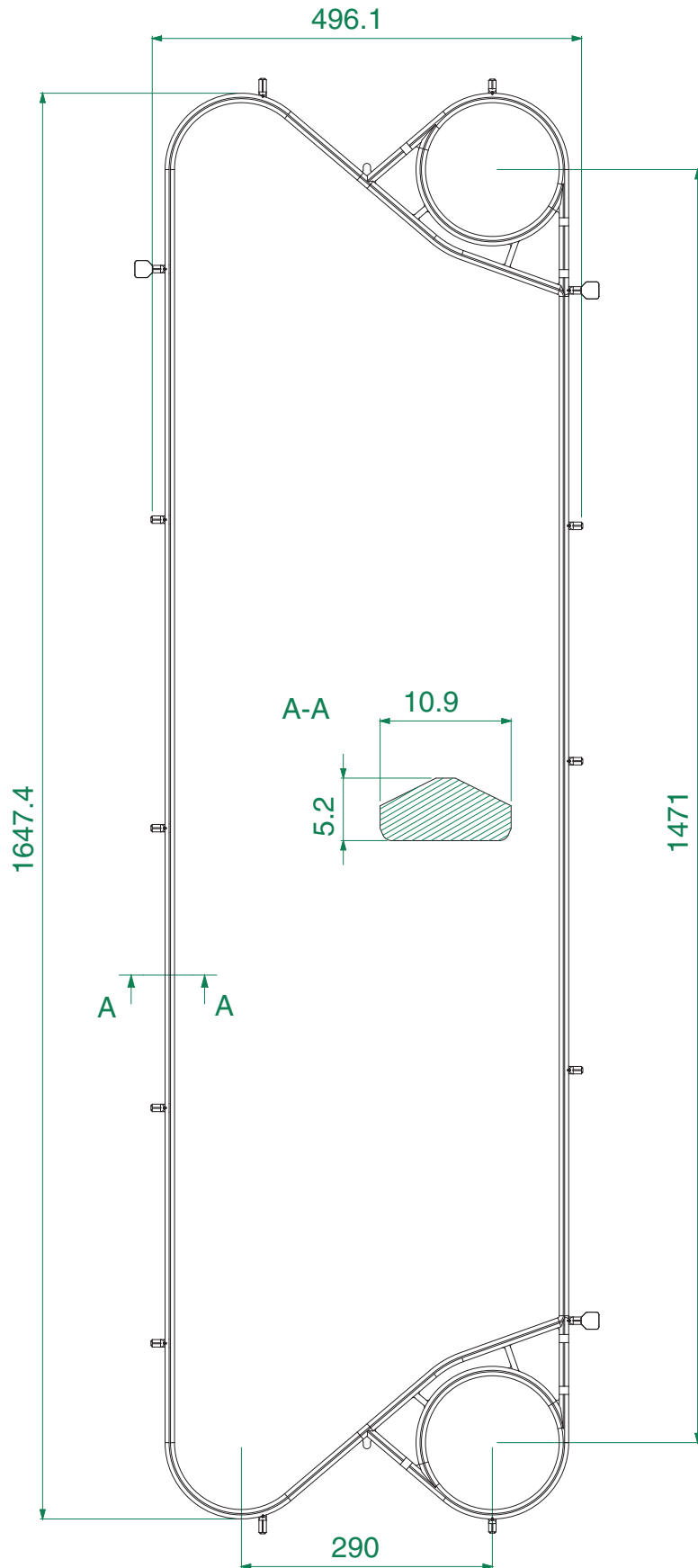
EXCHANGERS

ECHANGEURS

WÄRMEAUSTAUSCHER

INTERCAMBIADORES

Pos	Orobica Code	Model	Brand	Gasket Type	Q.ty
-	900.0410	SIGMA M66W	API-SCHMIDT	SIGMAFIX FLOWPLATE GASKET	-





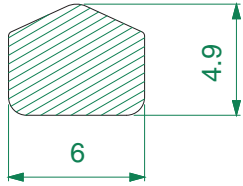
EXCHANGERS

ECHANGEURS

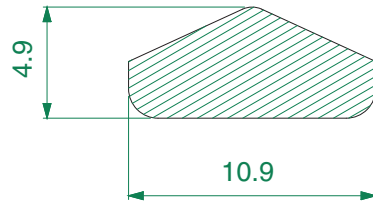
WÄRMEAUSTAUSCHER

INTERCAMBIADORES

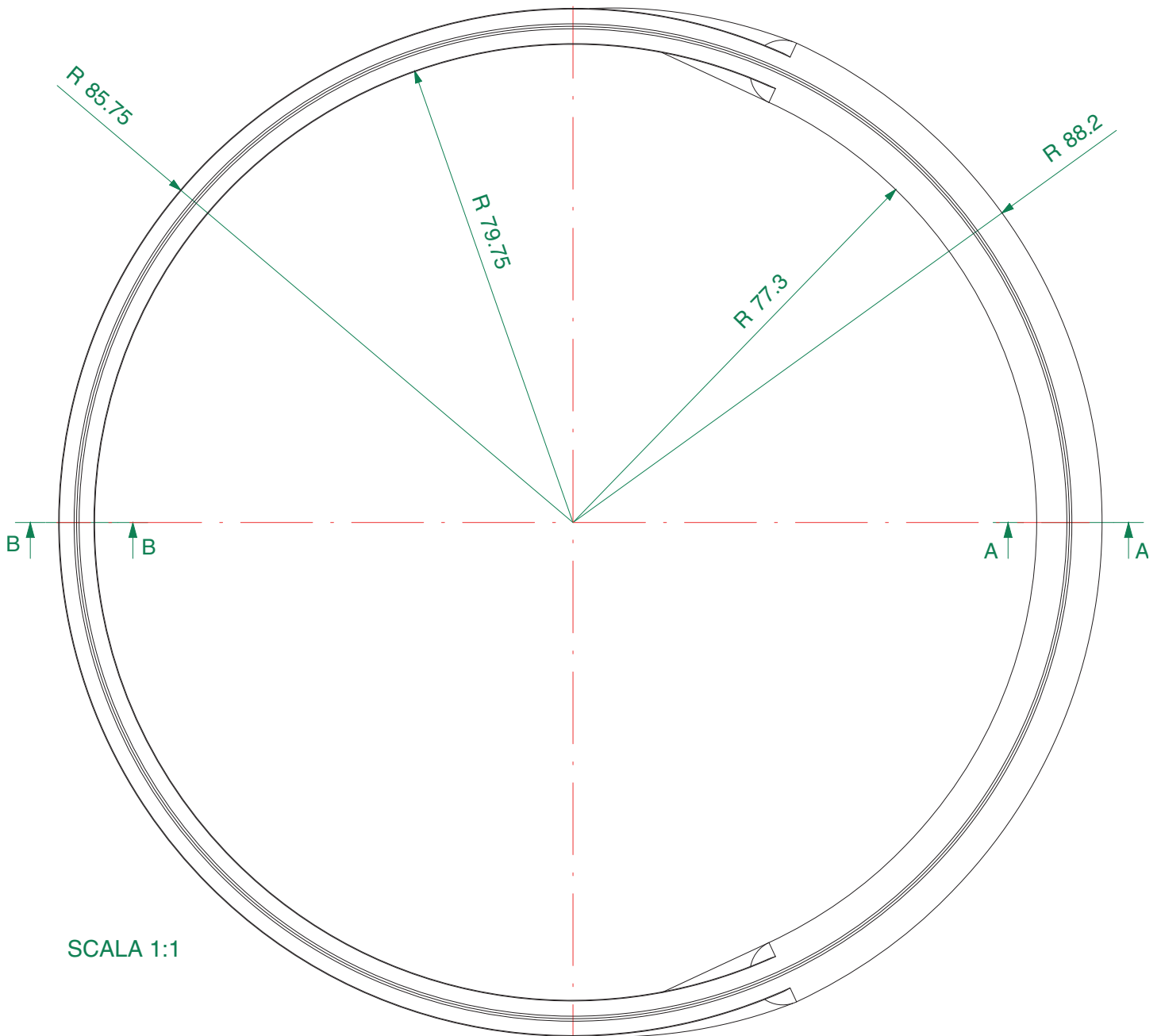
Pos	Orobica Code	Model	Brand	Gasket Type	Q.ty
-	900.0420	SIGMA M66	SCHMIDT	END RING GASKET	-



Sezione B-B



Sezione A-A



SCALA 1:1

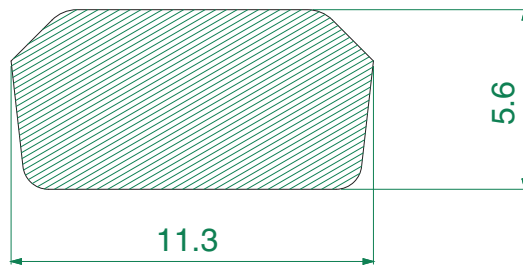
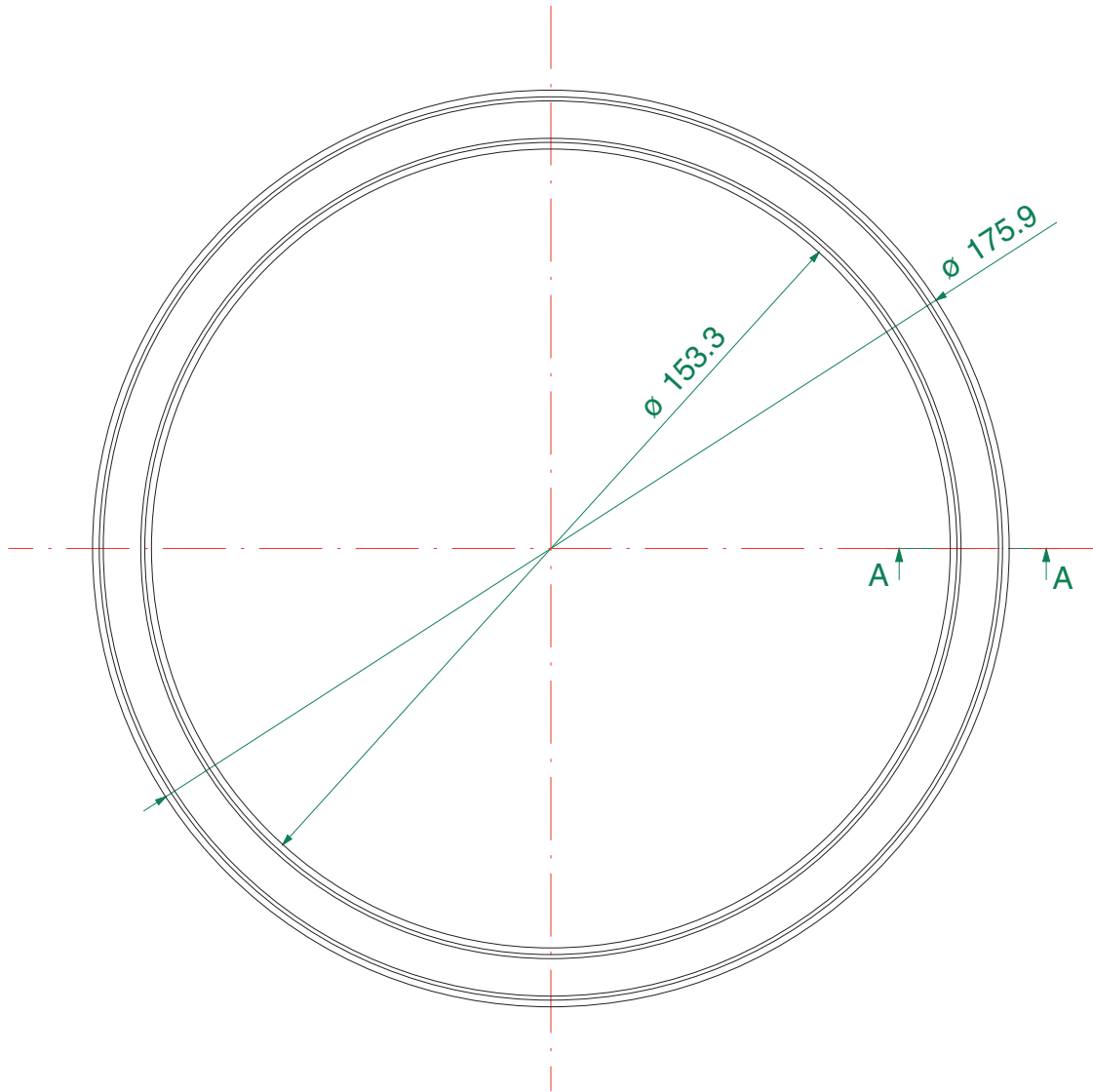
EXCHANGERS

ECHANGEURS

WÄRMEAUSTAUSCHER

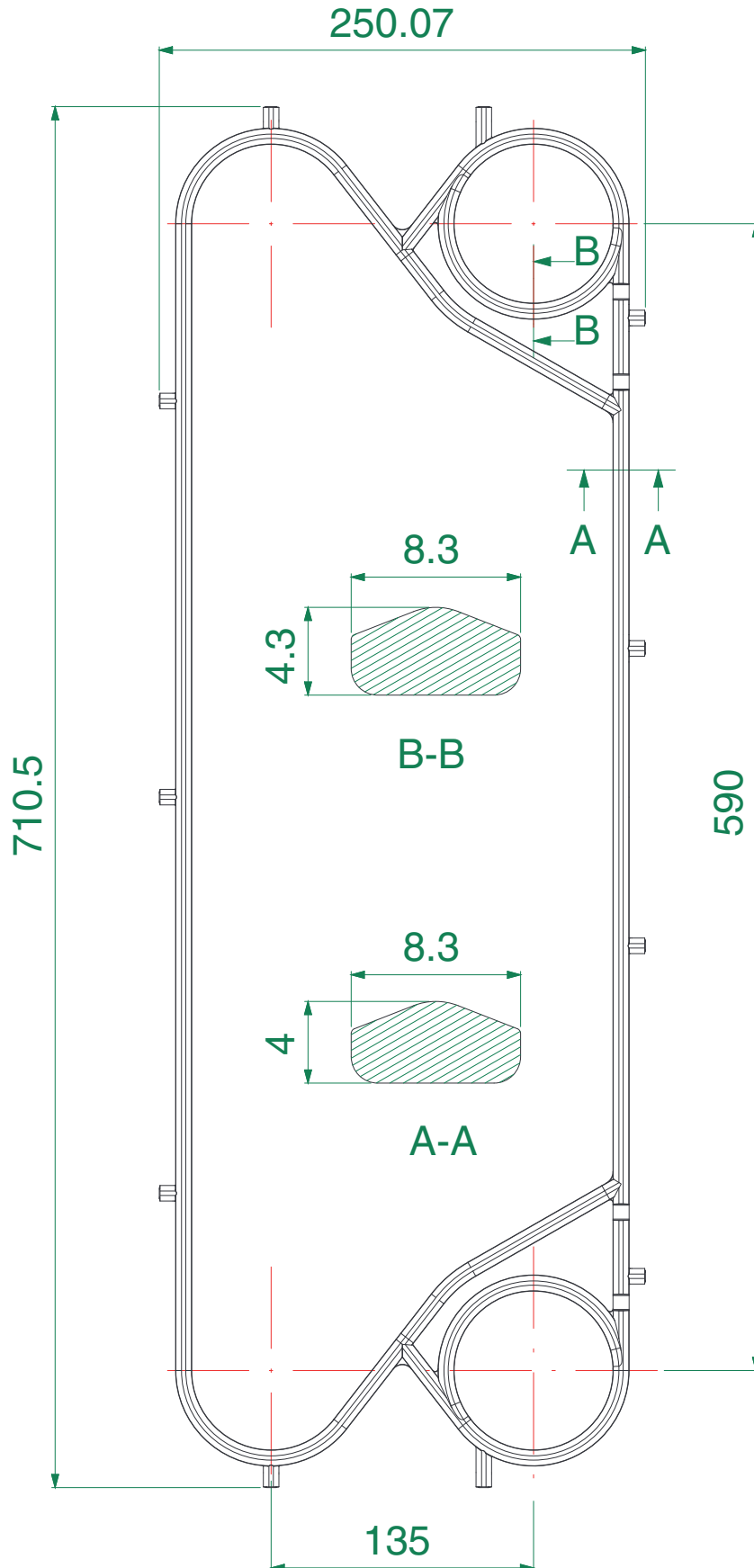
INTERCAMBIADORES

Pos	Orobica Code	Model	Brand	Gasket Type	Q.ty
-	900.0511	SIGMA M66	API-SCHMIDT	PORT-RING GASKET	-

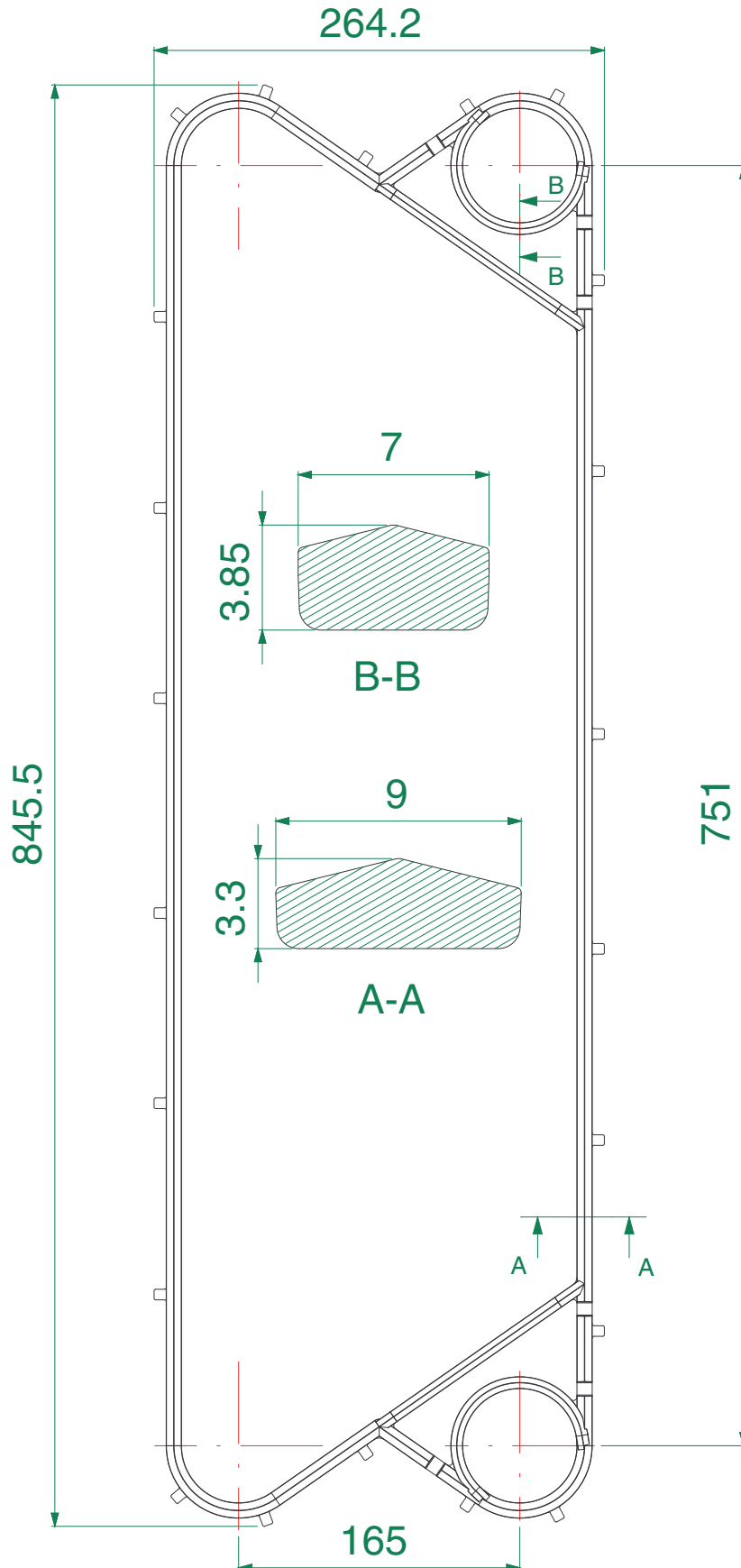


A-A

Pos	Orobica Code	Model	Brand	Gasket Type	Q.ty
-	900.0595	Sigma X13	API-SCHMIDT	Sigmafix flow Gasket	-



Pos	Orobica Code	Model	Brand	Gasket Type	Q.ty
-	900.0596	Sigma X19	API-SCHMIDT	Sigmafix Flow Gasket	-



EXCHANGERS

ECHANGEURS

WÄRMEAUSTAUSCHER

INTERCAMBIADORES

Pos	Orobica Code	Model	Brand	Gasket Type	Q.ty
-	900.0569	SIGMA X29	API-SCHMIDT	SIGMAFIX FLOW GASKET	-

