

INDEX	INDEX	INDEX	ÍNDICE
COD.			PAG.
FA184 Flat Flow - Cod.900.0490			298
FA184 Hight Flow - Cod.900.0493			299
FA192 Flat Flow - Cod.900.0600			300
FA192 Hight Flow - Cod.900.0599			301
NT50 Port Ring H=6.45 - Cod.900.0568			302
NT50 Port Ring H=7.1 - Cod.900.0460			303
NT50M Flow Snap-On - Cod.900.0520			304
NT50T Flow Snap-On - Cod.900.0612			305
NT50X Flow Snap-On - Cod.900.0519			306
NT100 Port Ring H=3,9 - Cod.900.0374			307
NT100M Flow Snap-On - Cod.900.0518			308
NT100X Flow Snap-On - Cod.900.0491			309
NT150 Port Ring H=3,9 - Cod.900.0489			310
NT150L Flow Clip - Cod.900.0461			311
NT150S Flow Clip - Cod.900.0480			312
NT250 Port Ring H=4.1 - Cod.900.0635			313
NT250L Flow Clip - Cod.900.0601			314
NT250S Flow Clip - Cod.900.0570			315
NT350M Flowplate Clip - Cod.900.0614			316
VT04 Port Ring H=4,0 - Cod.900.0049			317
VT04P Flow Glued - Cod.900.0376			318
VT10 Flow Glued - Cod.900.0056			319
VT10 Port Ring H=6,4 - Cod .900.0050			320
VT20 End Lock-In - Cod.900.0548			321
VT20 Head End Lock-in - Cod.900.0550			322
VT20 Port Ring H=4,0 - Cod.900.0051			323
VT20HV Flow Lock-In - Cod.900.0114			324
VT20P Flow Lock-In - Cod.900.0111			325
VT40 End Lock-In - Cod.900.0551			326
VT40 Head End Lock-in - Cod.900.0553			327
VT40 Port Ring H=4,0 - Cod.900.0052			328
VT40HV Flow Lock-In - Cod.900.0089			329
VT40PM Flow Lock-In - Cod.900.0476			330
VT80 End Lock-In - Cod.900.0554			331
VT80 Head End Lock-in - Cod.900.0556			332
VT80 Port Ring H=4,0 - Cod.900.0448			333
VT80HV Flow Lock-In -Cod.900.0347			334
VT80HV Flow Lock-In for Brasil - Cod.900.0333			335
VT80M Flow Lock-In - Cod.900.0524			336
VT80P Flow Lock-In - Cod.900.0326			337
VT159 Port Ring H=3,2 - Cod.900.0086			338
VT180 Flow Glued - Cod.900.0567			339

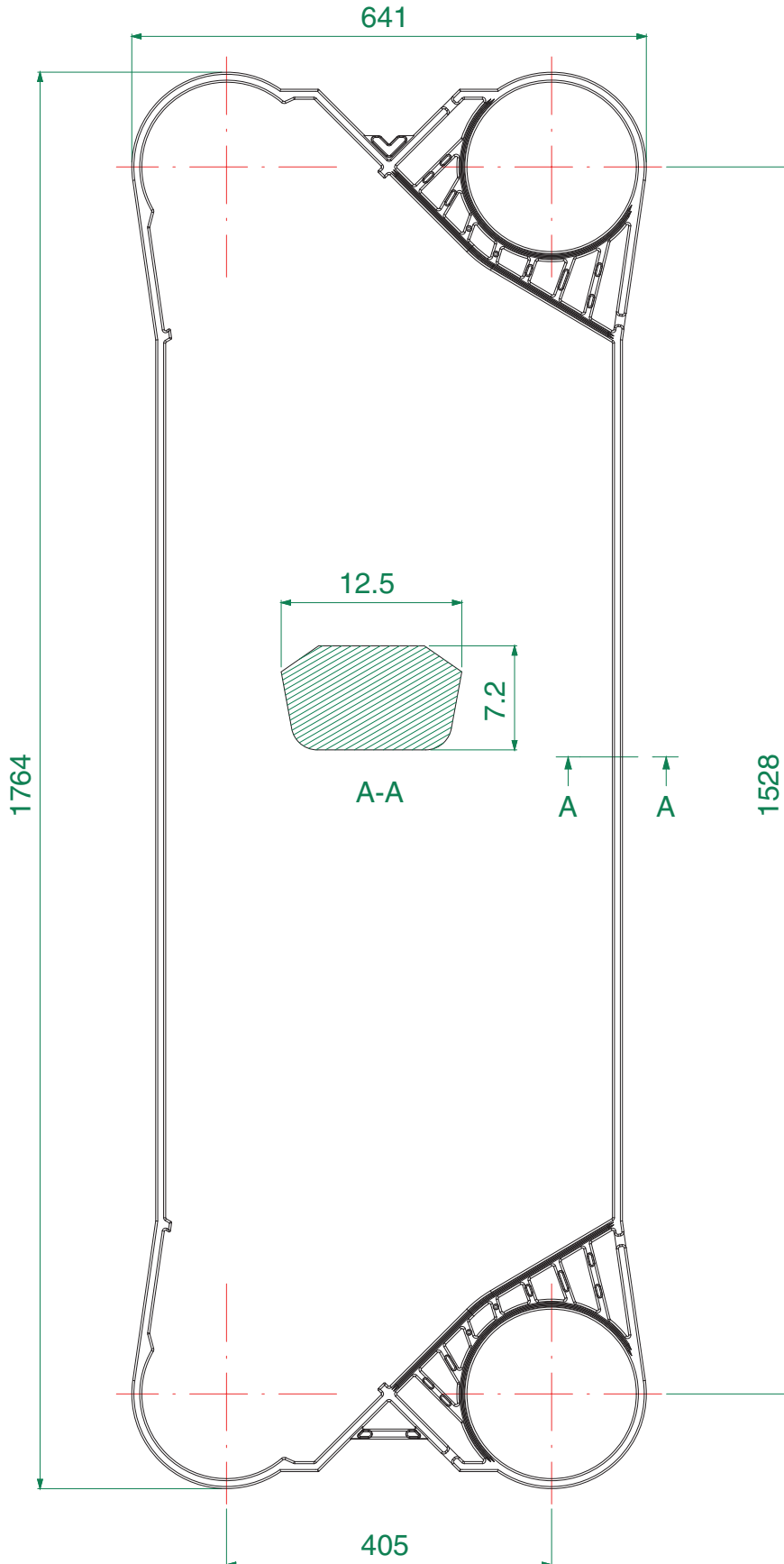
EXCHANGERS

ECHANGEURS

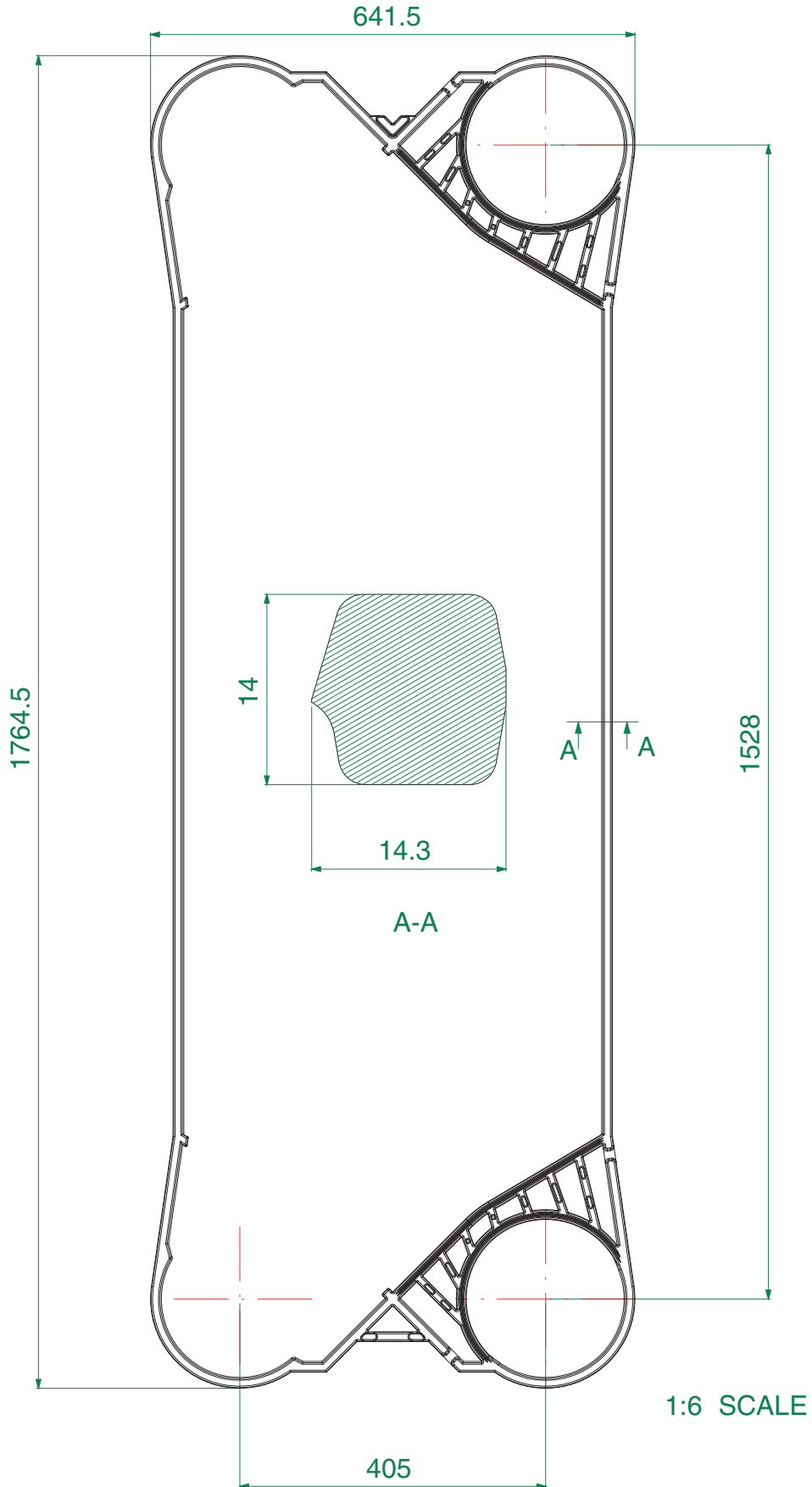
WÄRMEAUSTAUSCHER

INTERCAMBIADORES

Pos	Orobica Code	Model	Brand	Gasket Type	Q.ty
-	900.0490	FA 184 FLAT	GEA	FLOW PLATE GASKET	-



Pos	Orobica Code	Model	Brand	Gasket Type	Q.ty
-	900.0493	FA 184 ALTA	GEA	FLOWPLATE GASKET	-



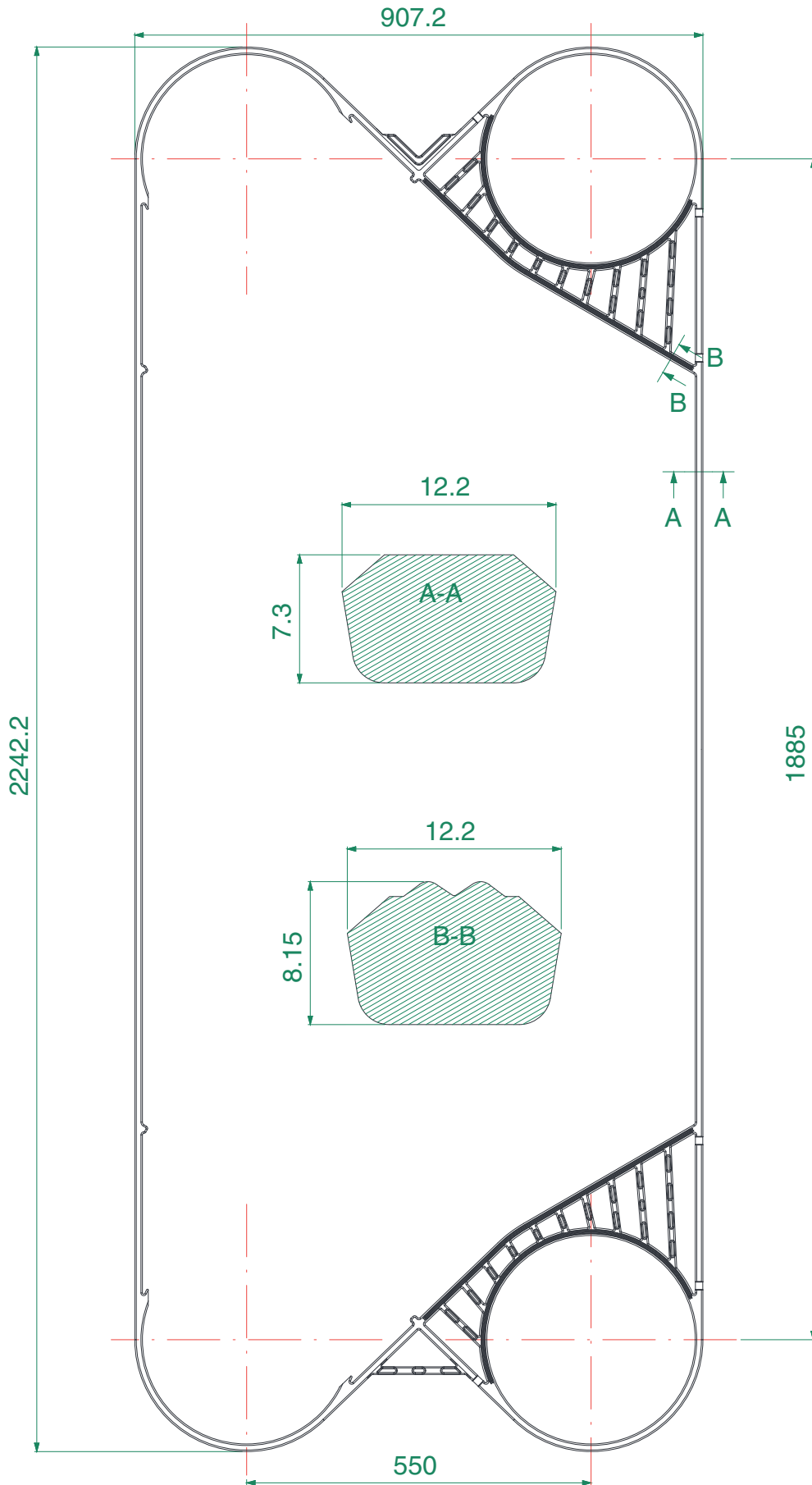
EXCHANGERS

ECHANGEURS

WÄRMEAUSTAUSCHER

INTERCAMBIADORES

Pos	Orobica Code	Model	Brand	Gasket Type	Q.ty
-	900.0600	FA192 FLAT	GEA	FLOWPLATE GASKET	-



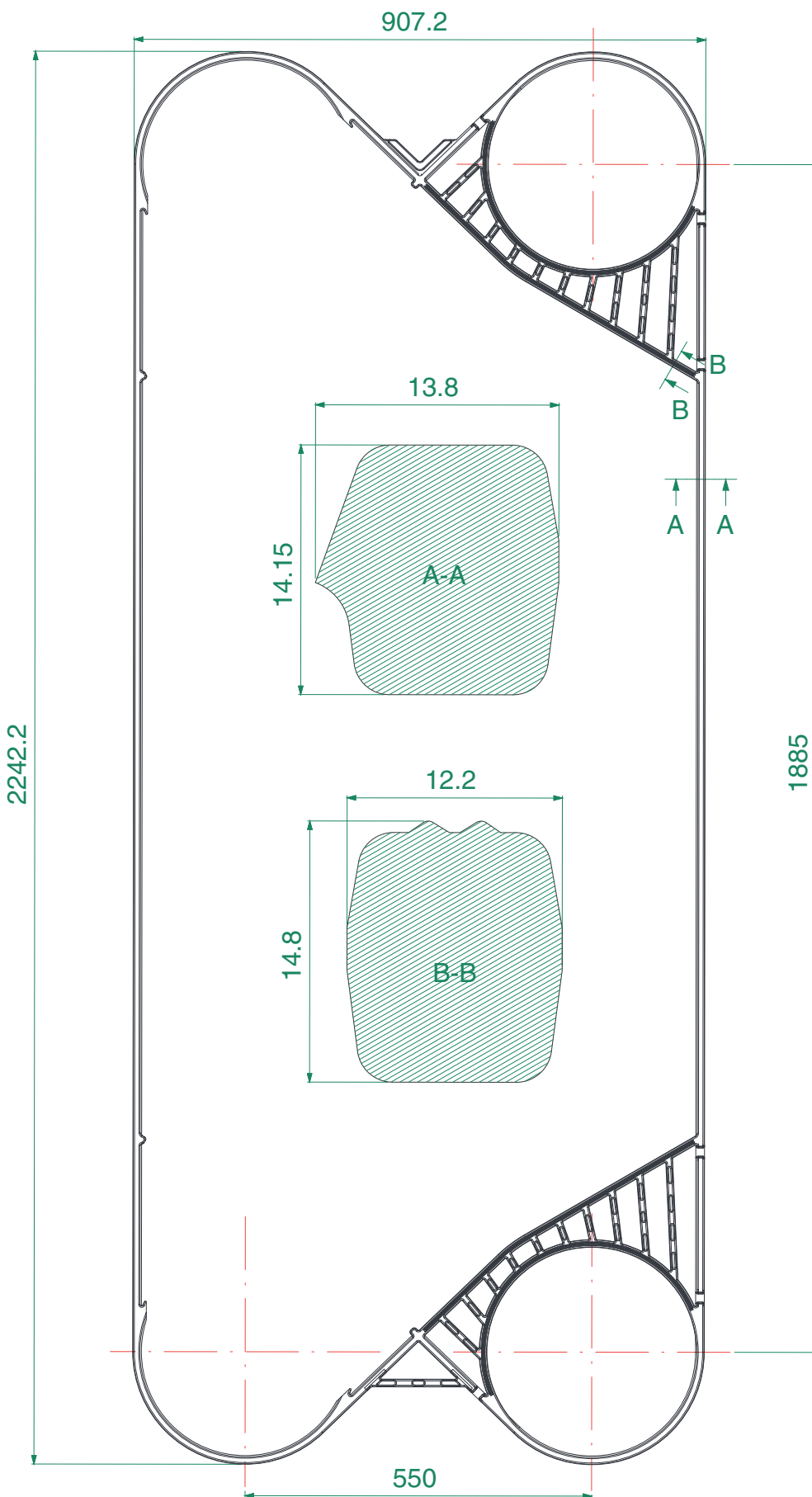
EXCHANGERS

ECHANGEURS

WÄRMEAUSTAUSCHER

INTERCAMBIADORES

Pos	Orobica Code	Model	Brand	Gasket Type	Q.ty
-	900.0599	FA192 HIGHT	GEA	FLOWPLATE GASKET	-



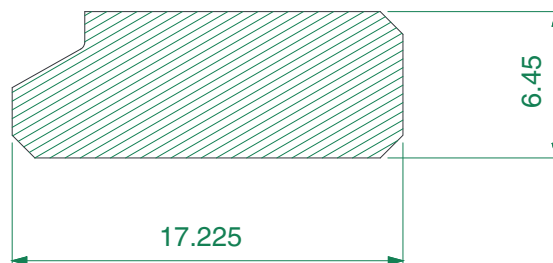
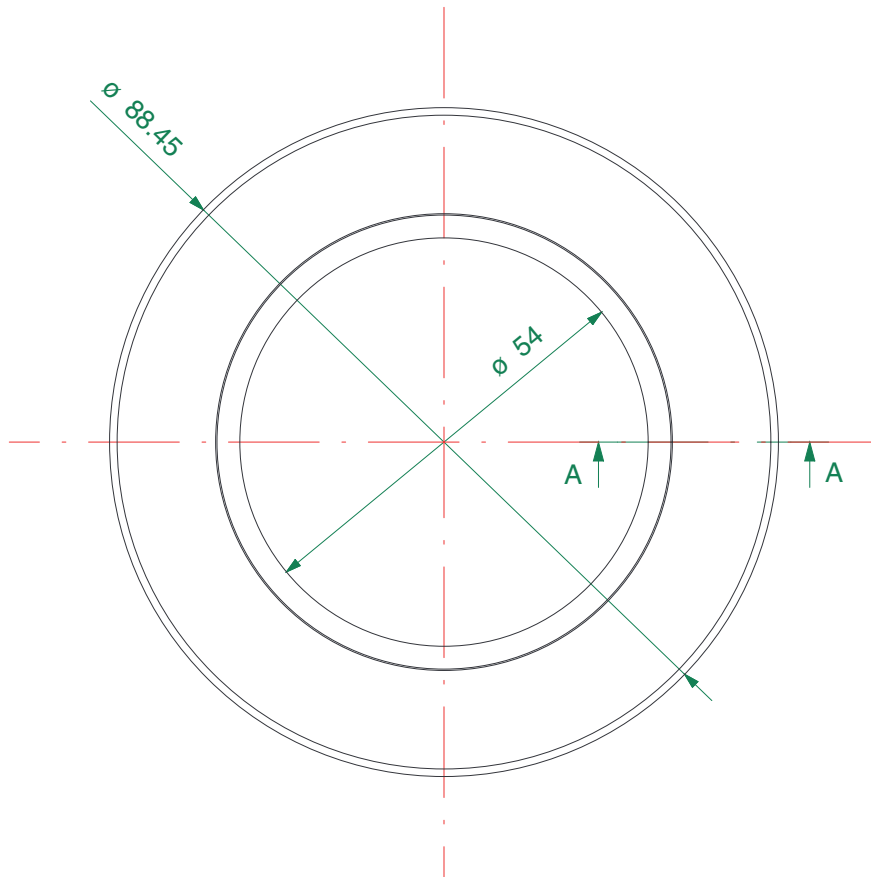
EXCHANGERS

ECHANGEURS

WÄRMEAUSTAUSCHER

INTERCAMBIADORES

Pos	Orobica Code	Model	Brand	Gasket Type	Q.ty
-	900.0568	NT50	GEA	Port-Ring gasket H=6.45	-



Sezione A-A

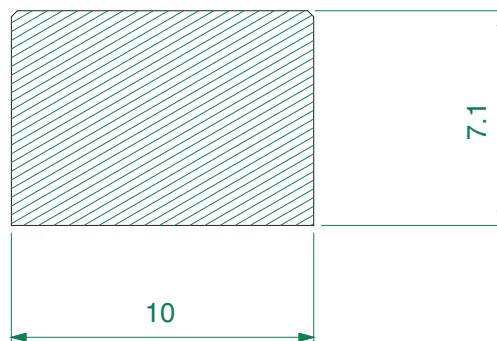
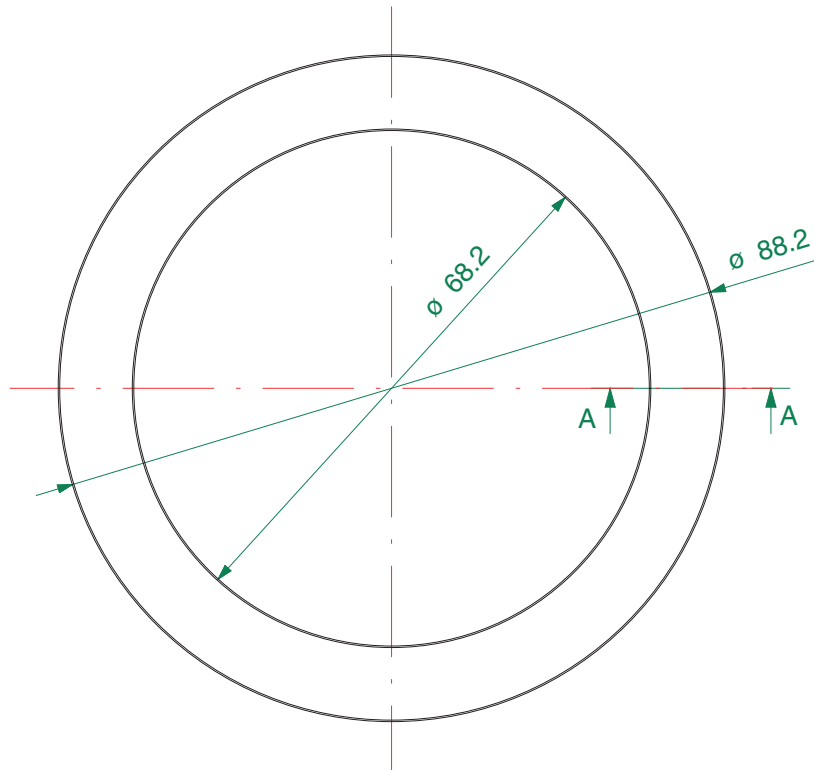
EXCHANGERS

ECHANGEURS

WÄRMEAUSTAUSCHER

INTERCAMBIADORES

Pos	Orobica Code	Model	Brand	Gasket Type	Q.ty
-	900.0460	NT50	GEA	Port-Ring Gasket H=7.1	-



Sezione A-A

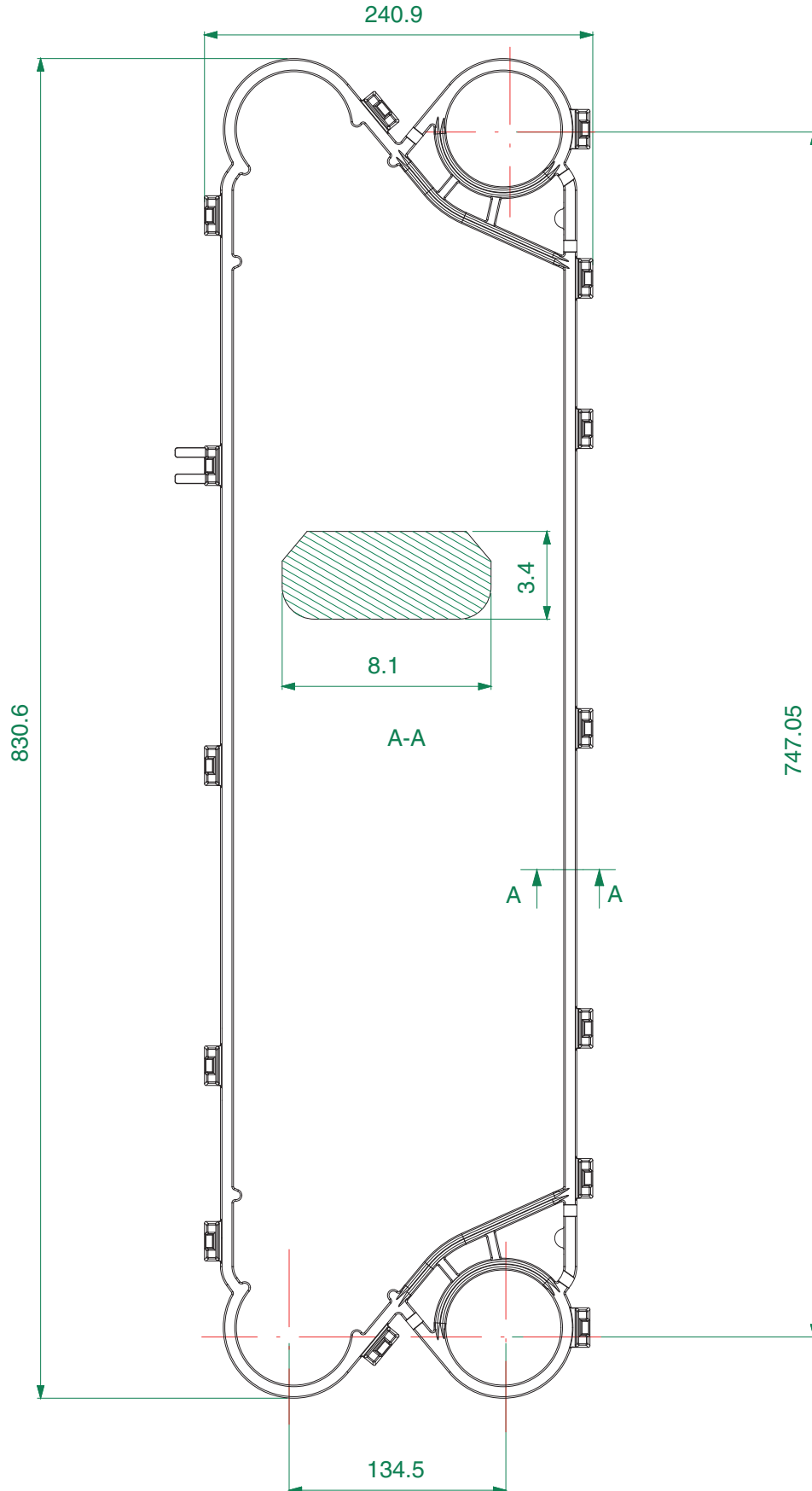
EXCHANGERS

ECHANGEURS

WÄRMEAUSTAUSCHER

INTERCAMBIADORES

Pos	Orobica Code	Model	Brand	Gasket Type	Q.ty
-	900.0520	NT50M	GEA	FLOW PLATE GASKET SNAP-ON	-



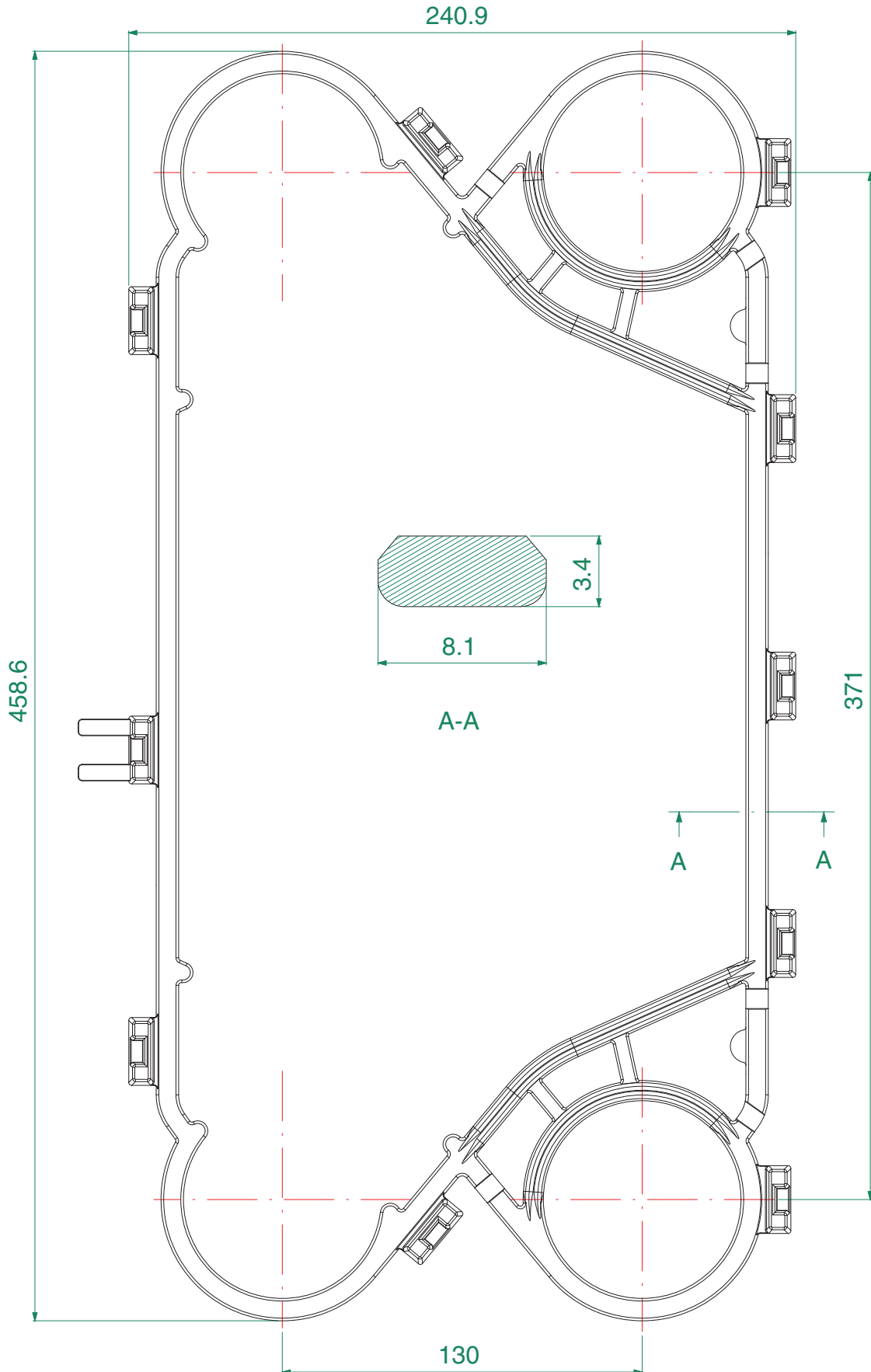
EXCHANGERS

ECHANGEURS

WÄRMEAUSTAUSCHER

INTERCAMBIADORES

Pos	Orobica Code	Model	Brand	Gasket Type	Q.ty
-	900.0612	NT50T	GEA	FLOW PLATE GASKET SNAP-ON	-



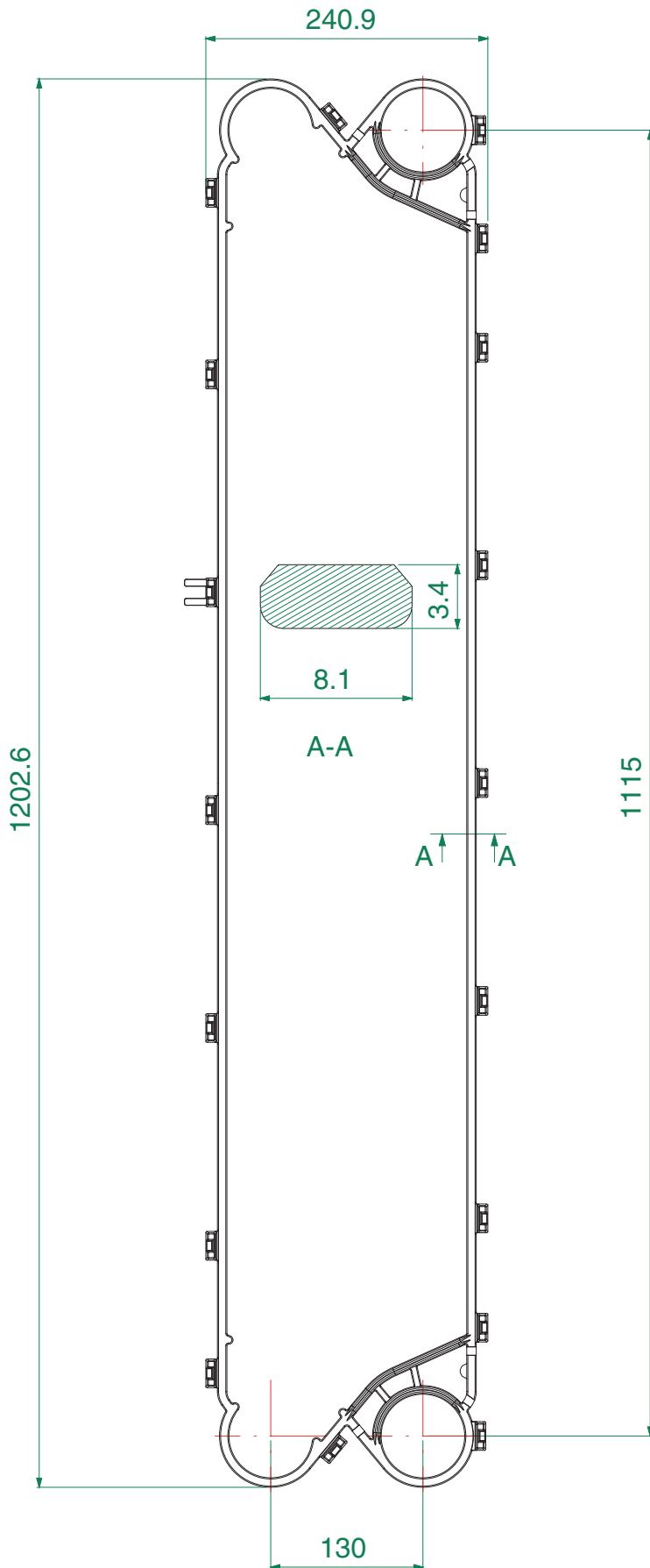
EXCHANGERS

ECHANGEURS

WÄRMEAUSTAUSCHER

INTERCAMBIADORES

Pos	Orobica Code	Model	Brand	Gasket Type	Q.ty
-	900.0519	NT50X	GEA	FLOW PLATE GASKET SNAP-ON	-



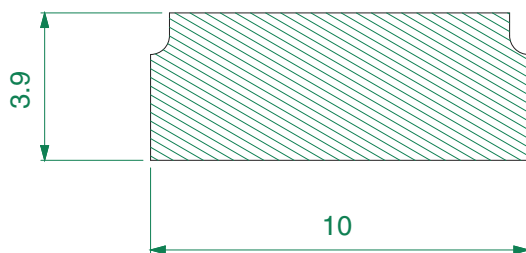
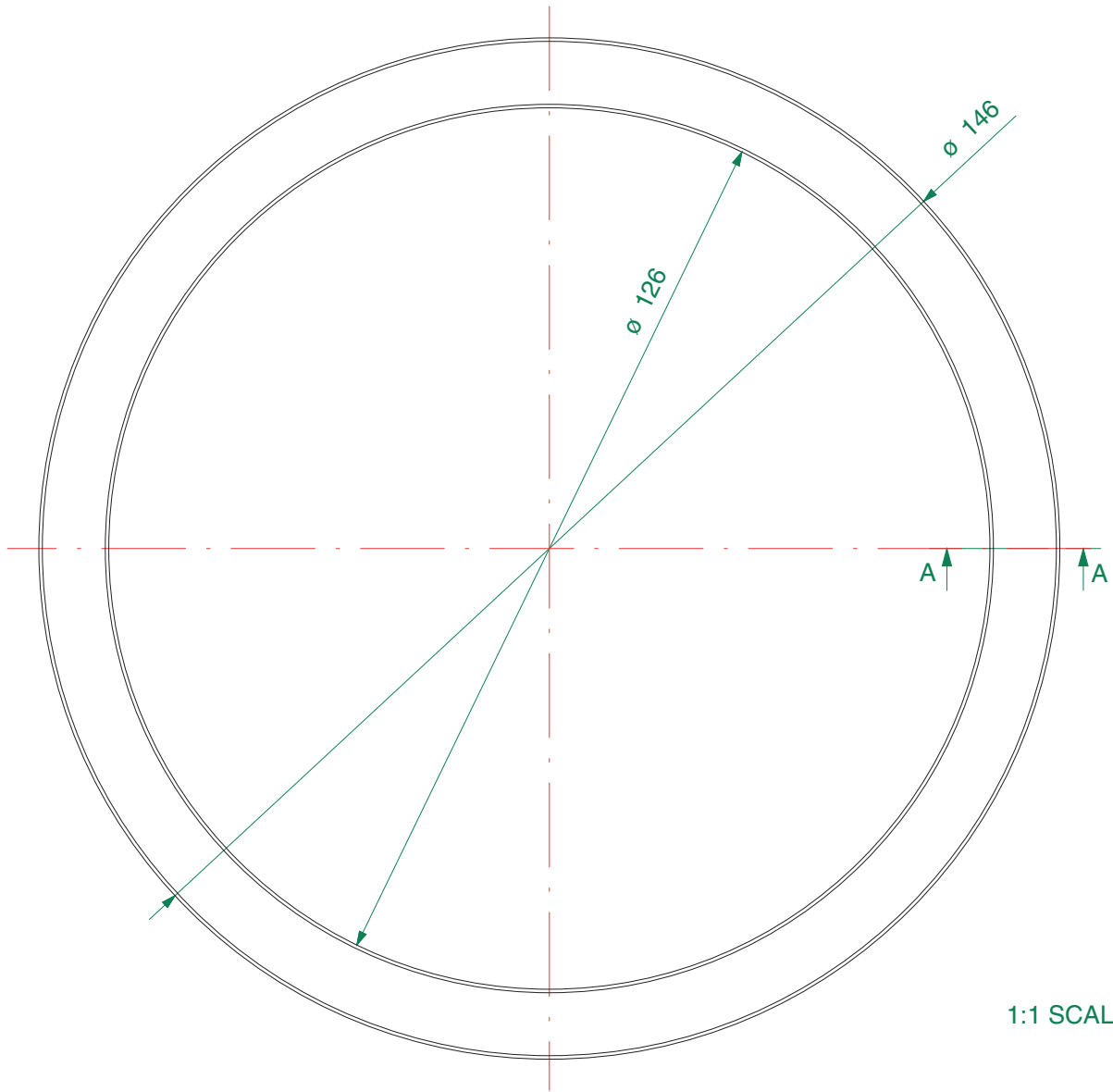
EXCHANGERS

ECHANGEURS

WÄRMEAUSTAUSCHER

INTERCAMBIADORES

Pos	Orobica Code	Model	Brand	Gasket Type	Q.ty
-	900.0374	NT100	GEA	Port-ring NT100	-



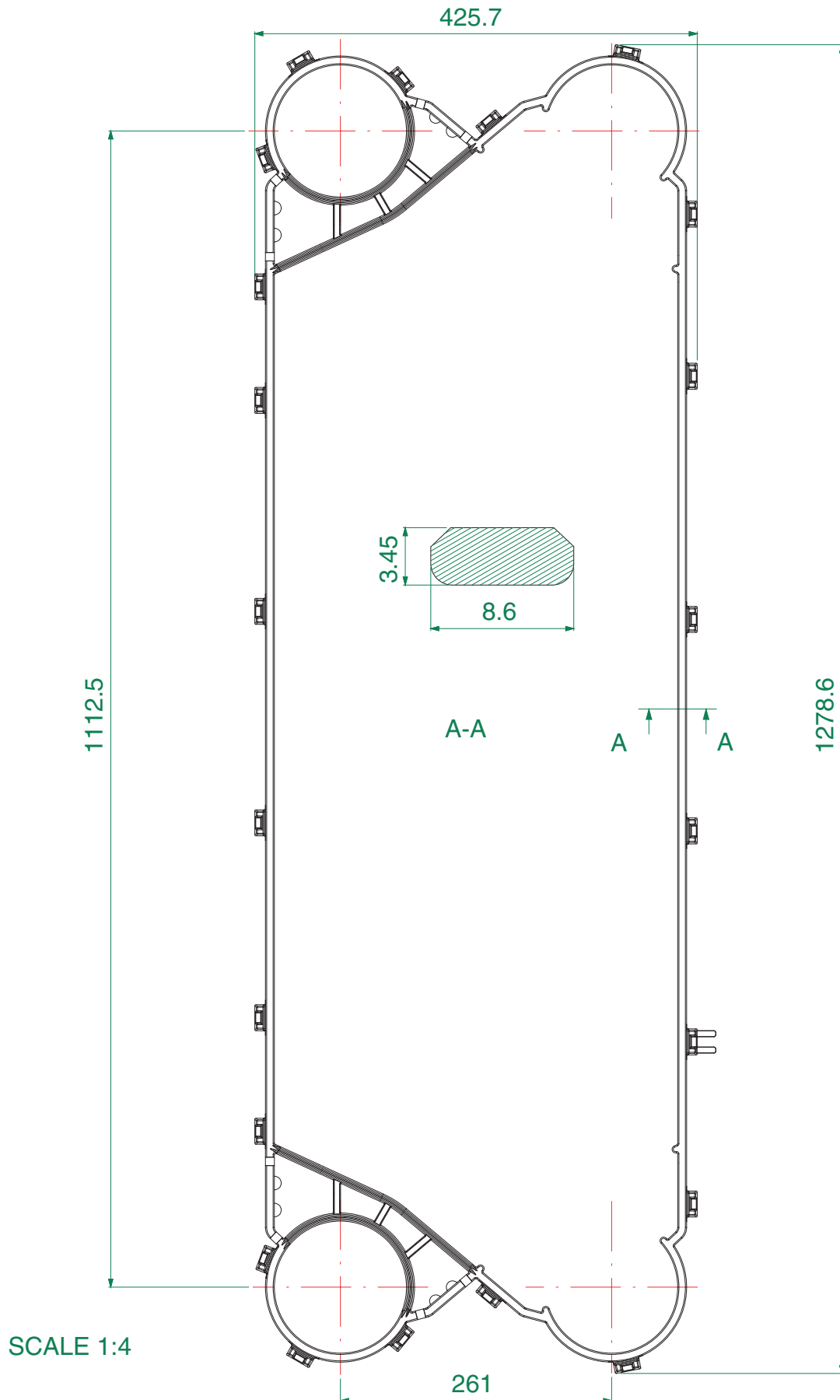
EXCHANGERS

ECHANGEURS

WÄRMEAUSTAUSCHER

INTERCAMBIADORES

Pos	Orobica Code	Model	Brand	Gasket Type	Q.ty
-	900.0518	NT100M	GEA	FLOW PLATE GASKET SNAP-ON	-



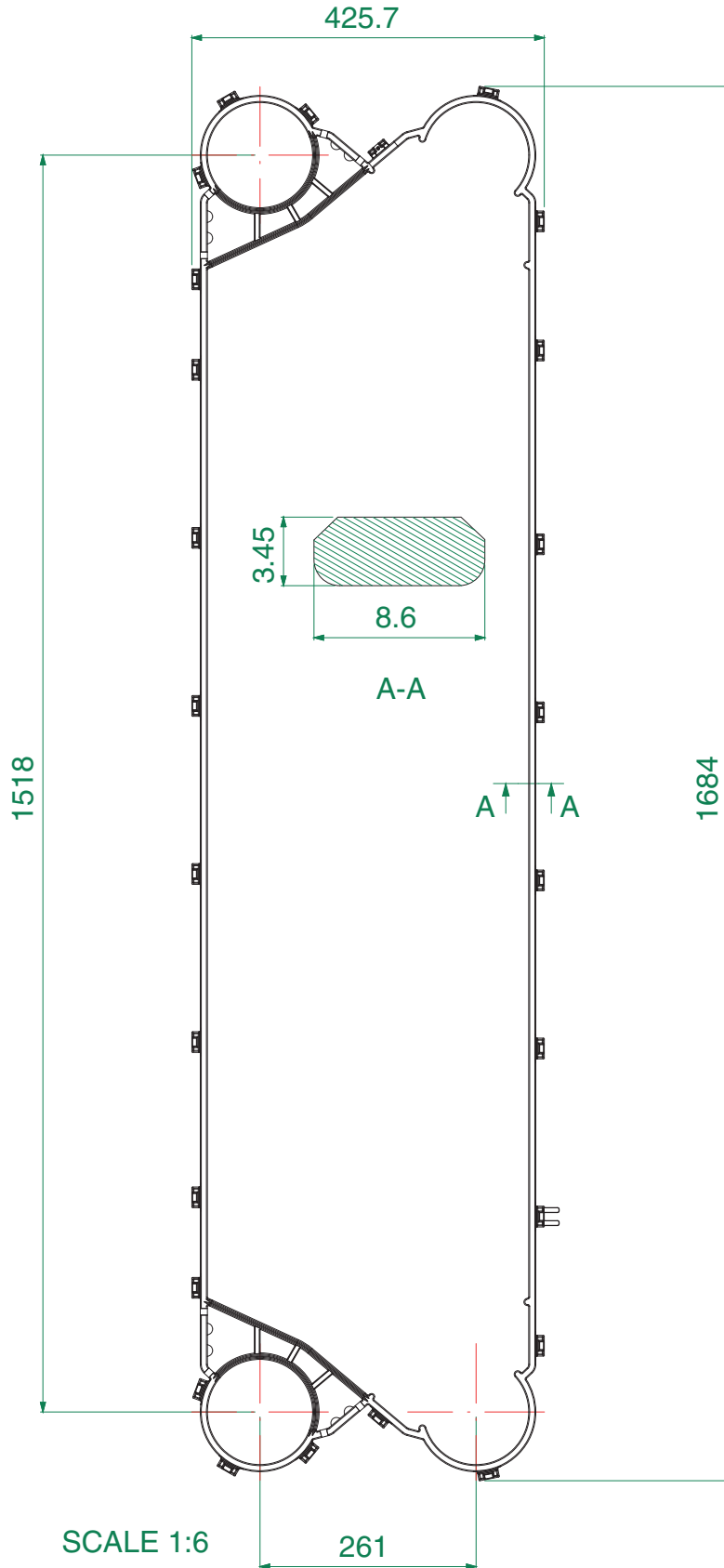
EXCHANGERS

ECHANGEURS

WÄRMEAUSTAUSCHER

INTERCAMBIADORES

Pos	Orobica Code	Model	Brand	Gasket Type	Q.ty
-	900.0491	NT100X	GEA	FLOW PLATE GASKET SNAP-ON	-



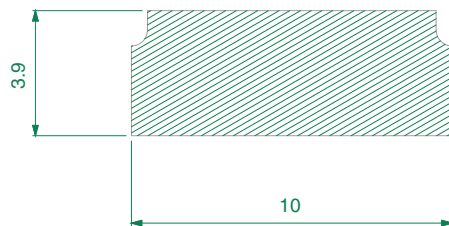
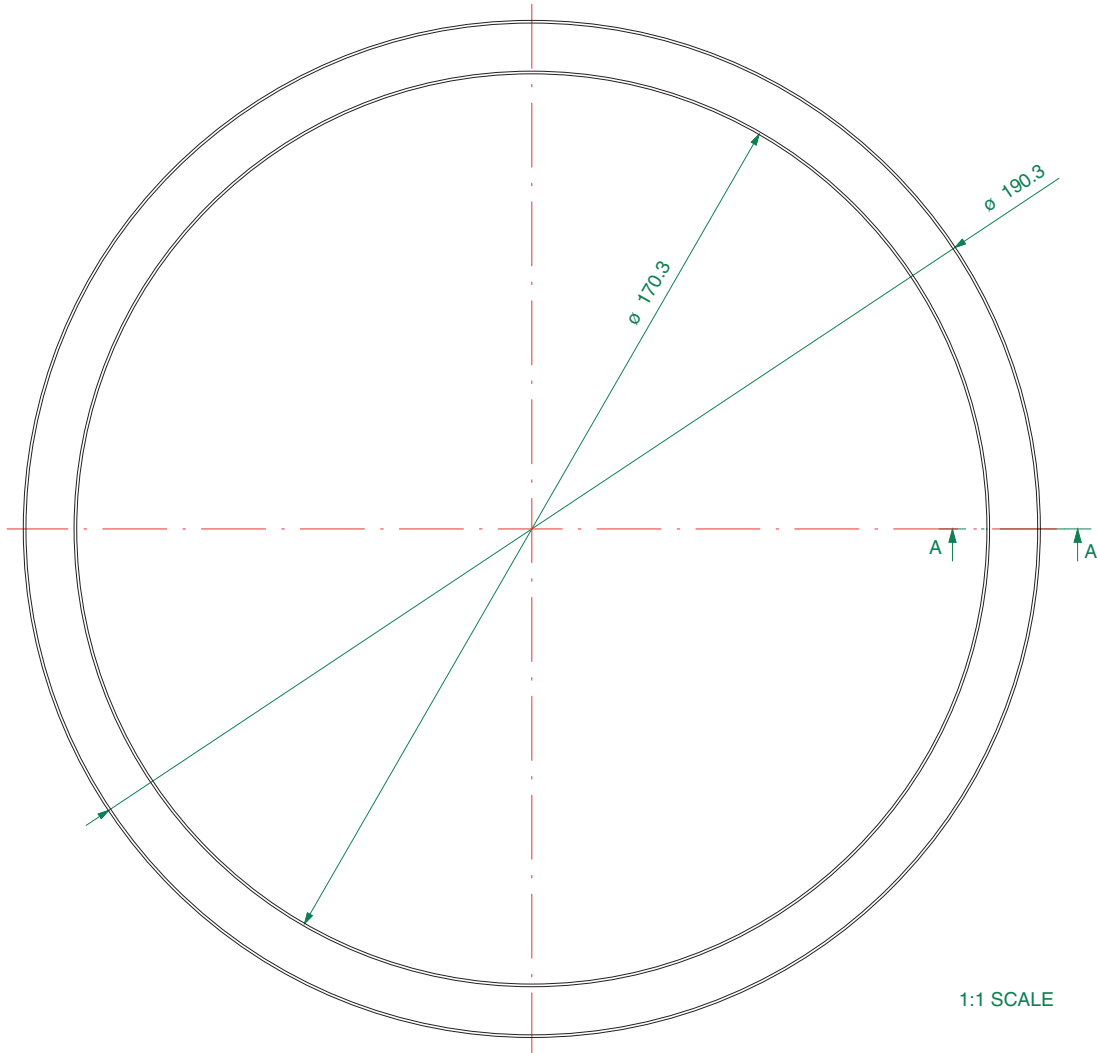
EXCHANGERS

ECHANGEURS

WÄRMEAUSTAUSCHER

INTERCAMBIADORES

Pos	Orobica Code	Model	Brand	Gasket Type	Q.ty
-	900.0489	NT150	GEA	Port-Ring NT150	-



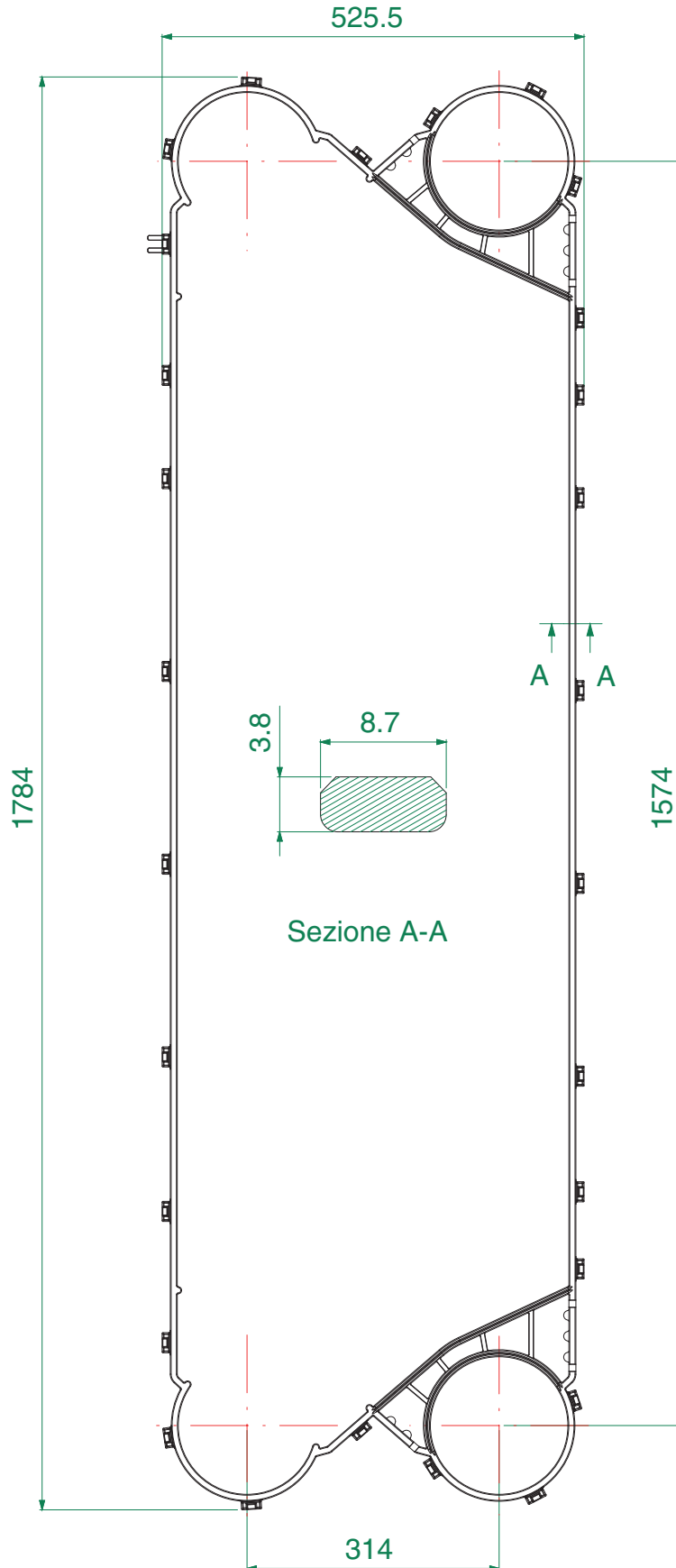
EXCHANGERS

ECHANGEURS

WÄRMEAUSTAUSCHER

INTERCAMBIADORES

Pos	Orobica Code	Model	Brand	Gasket Type	Q.ty
-	900.0461	NT150L	GEA	FLOWPLATE CLIP	-



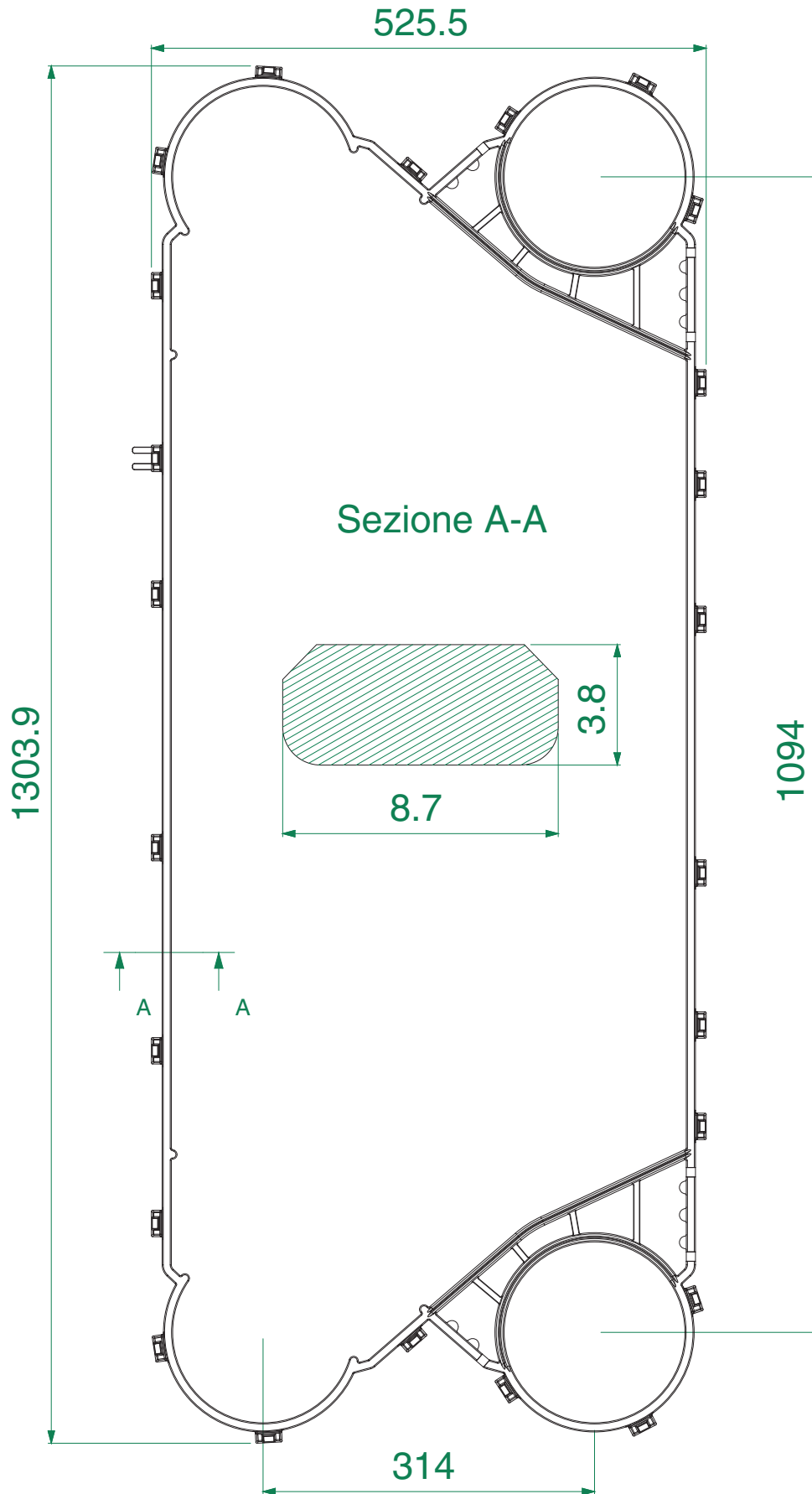
EXCHANGERS

ECHANGEURS

WÄRMEAUSTAUSCHER

INTERCAMBIADORES

Pos	Orobica Code	Model	Brand	Gasket Type	Q.ty
-	900.0480	NT150S	GEA	FLOW PLATE GASKET	-



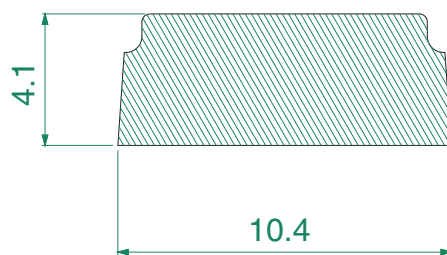
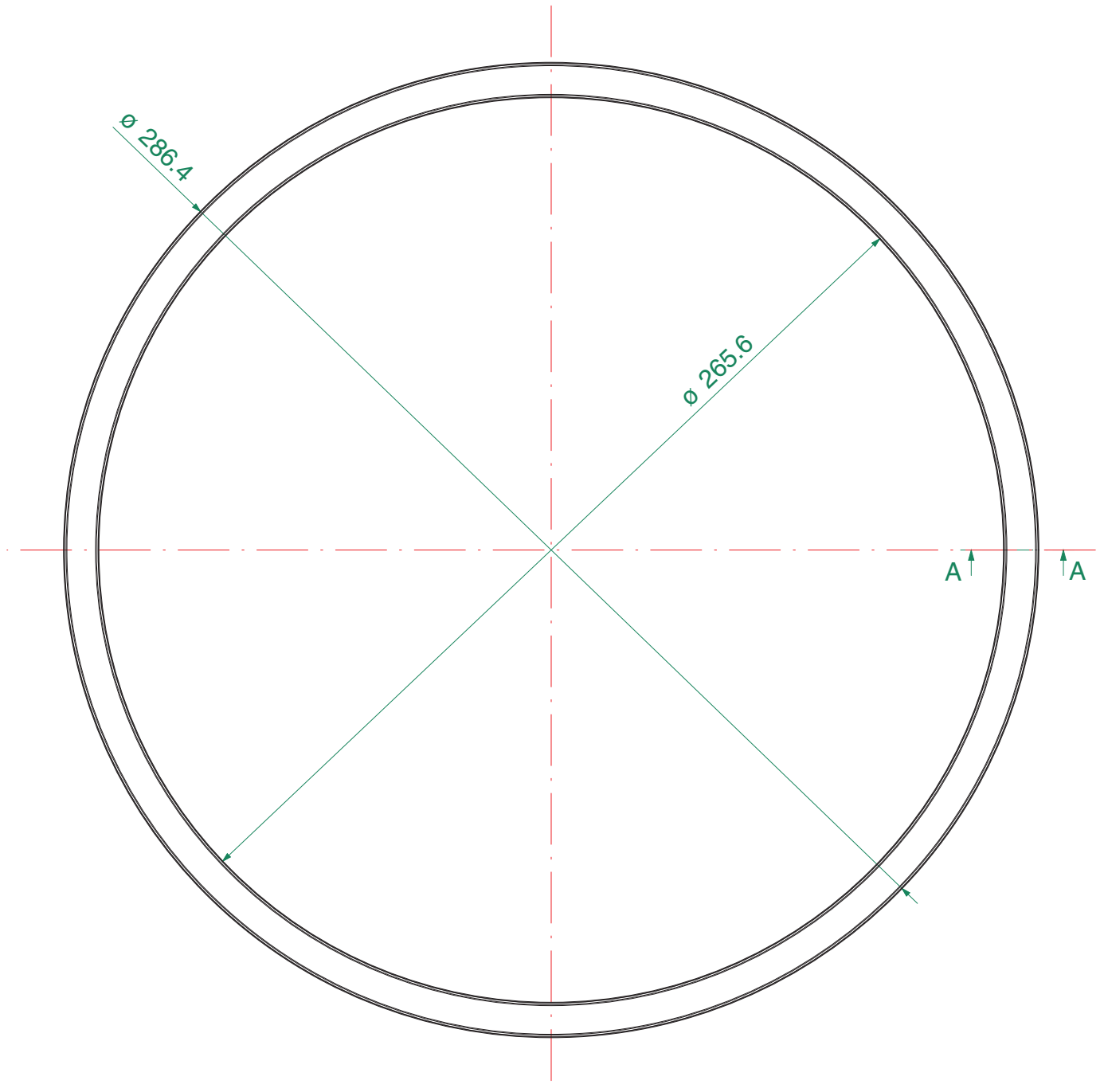
EXCHANGERS

ECHANGEURS

WÄRMEAUSTAUSCHER

INTERCAMBIADORES

Pos	Orobica Code	Model	Brand	Gasket Type	Q.ty
-	900.0635	NT250	GEA	PORT-RING GASKET H=4.1mm	-



Sezione A-A

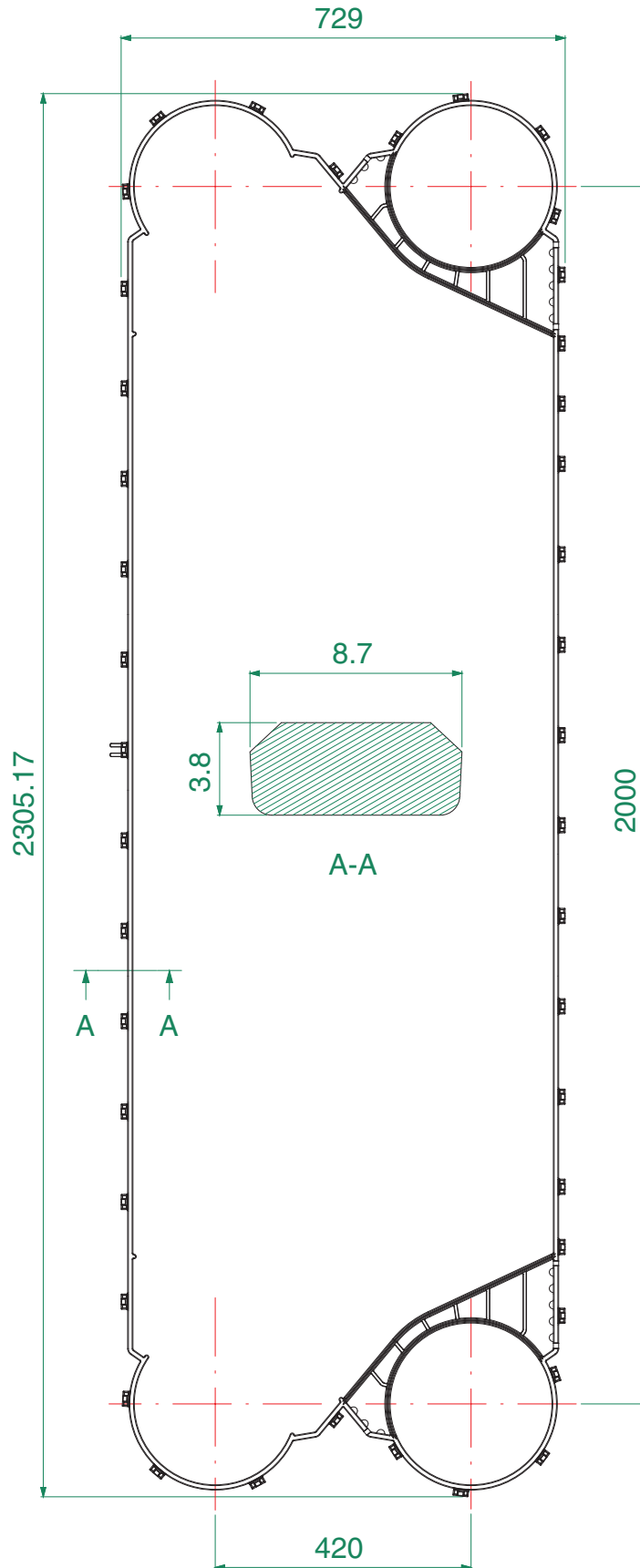
EXCHANGERS

ECHANGEURS

WÄRMEAUSTAUSCHER

INTERCAMBIADORES

Pos	Orobica Code	Model	Brand	Gasket Type	Q.ty
-	900.0601	NT250L	GEA	FLOW PLATE GASKET	-



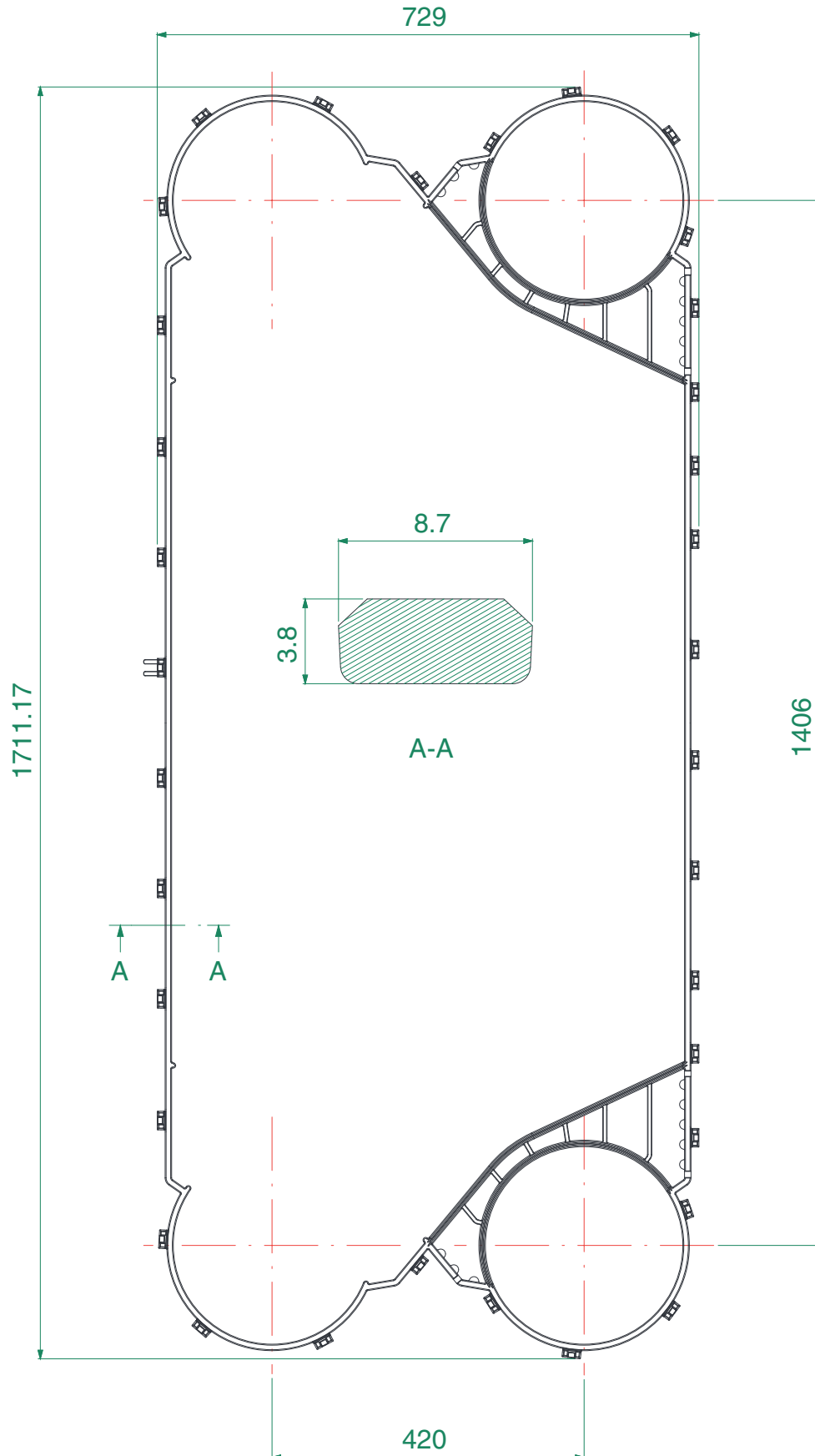
EXCHANGERS

ECHANGEURS

WÄRMEAUSTAUSCHER

INTERCAMBIADORES

Pos	Orobica Code	Model	Brand	Gasket Type	Q.ty
-	900.0570	NT250S	GEA	FLOW PLATE GASKET	-



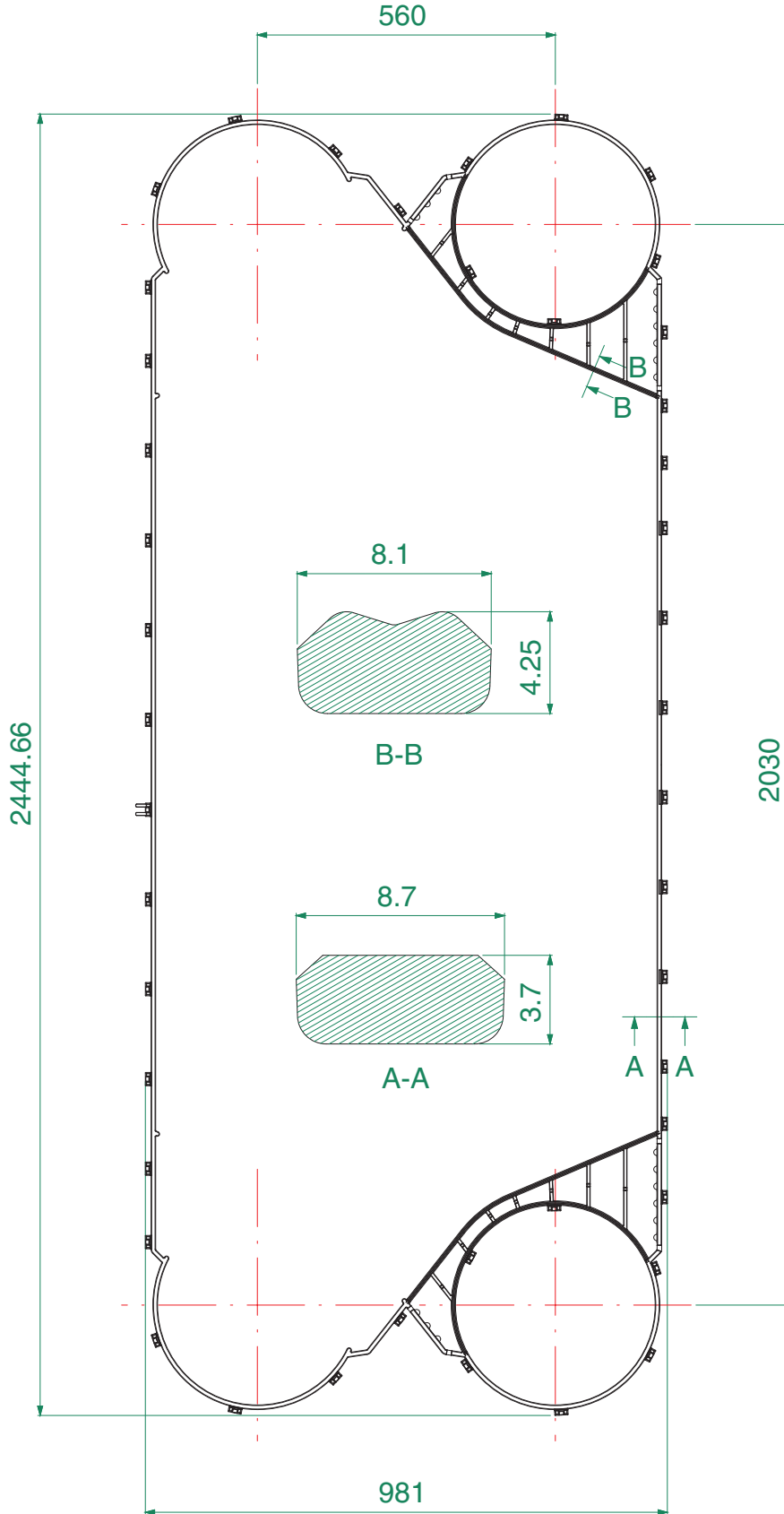
EXCHANGERS

ECHANGEURS

WÄRMEAUSTAUSCHER

INTERCAMBIADORES

Pos	Orobica Code	Model	Brand	Gasket Type	Q.ty
-	900.0614	NT 350 M	GEA	FLOWPLATE CLIP	-



EXCHANGERS

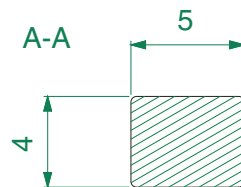
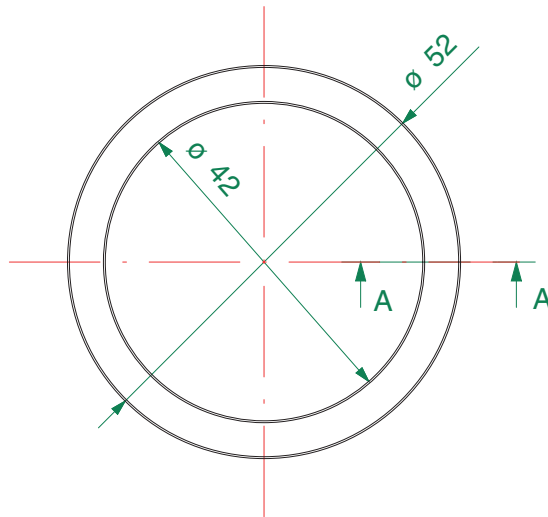
ECHANGEURS

WÄRMEAUSTAUSCHER

INTERCAMBIADORES

Pos	Orobica Code	Model	Brand	Gasket Type	Q.ty
-	900.0049	VT04	GEA	PORT RING GASKET	-

1:1 SCALE



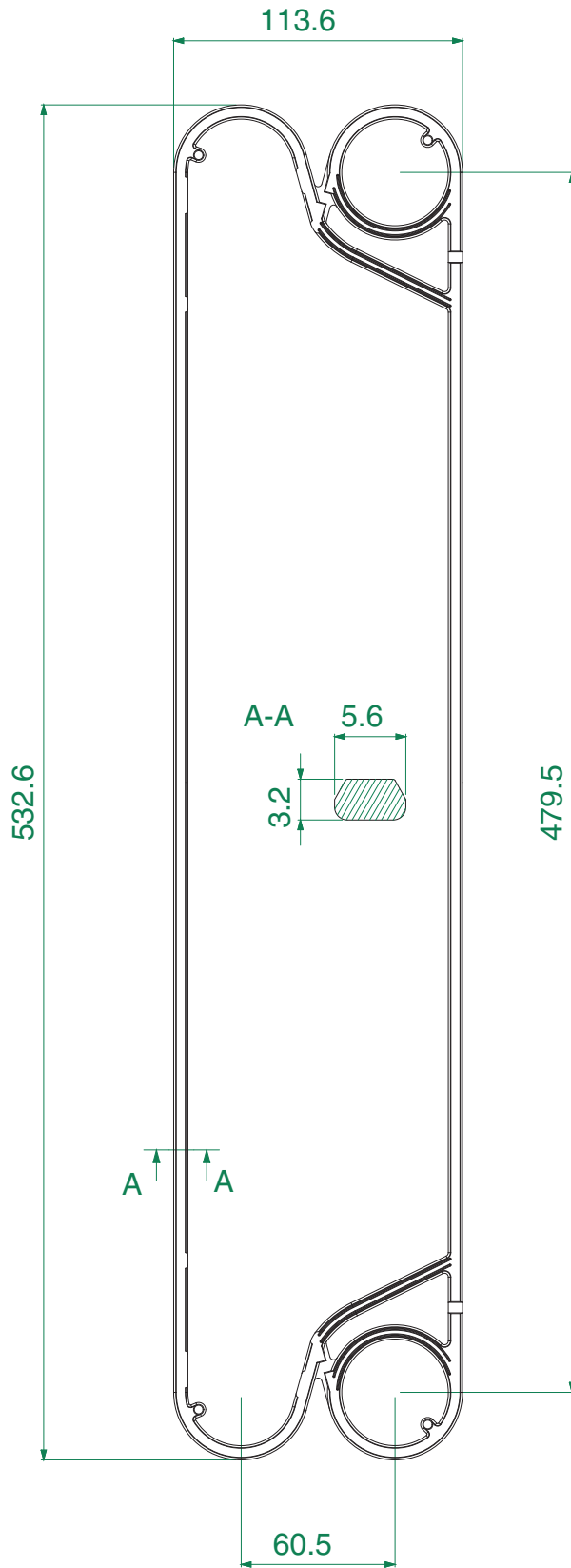
EXCHANGERS

ECHANGEURS

WÄRMEAUSTAUSCHER

INTERCAMBIADORES

Pos	Orobica Code	Model	Brand	Gasket Type	Q.ty
-	900.0376	VT 04	GEA	"P" GLUED FLOWPLATE GASKET	-



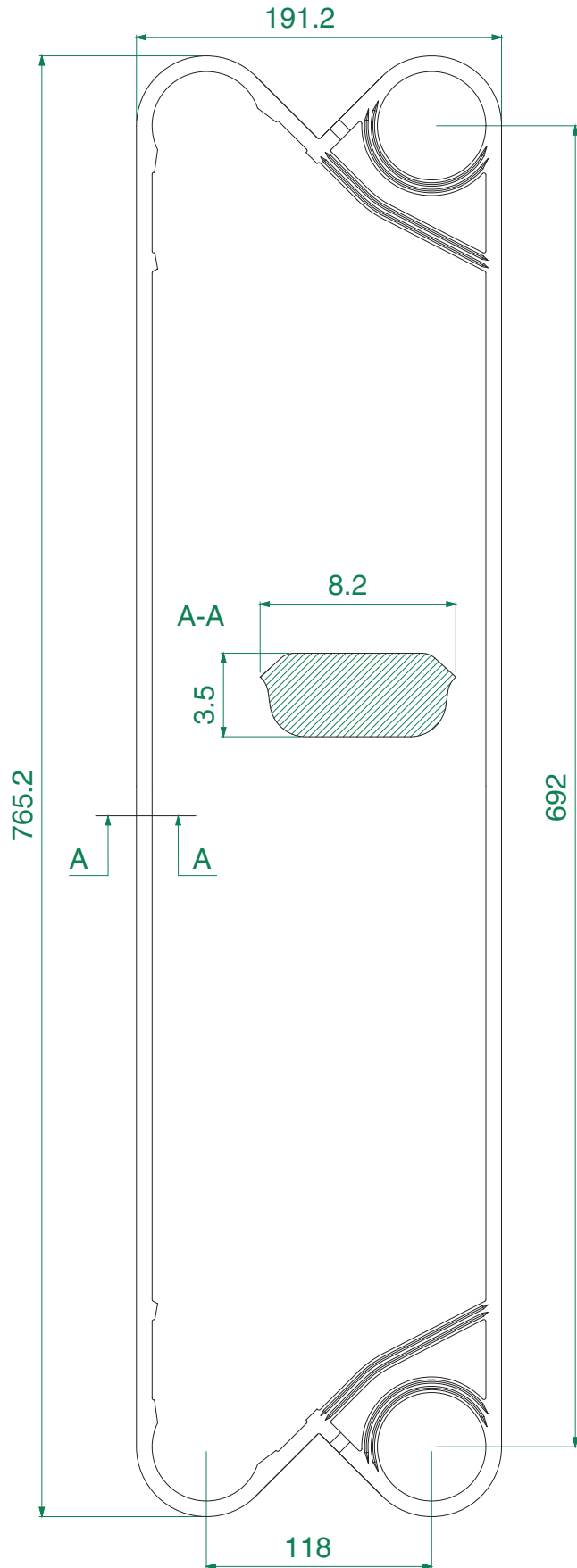
EXCHANGERS

ECHANGEURS

WÄRMEAUSTAUSCHER

INTERCAMBIADORES

Pos	Orobica Code	Model	Brand	Gasket Type	Q.ty
-	900.0056	VT10	GEA	GLUED FLOWPLATE GASKET	-



EXCHANGERS

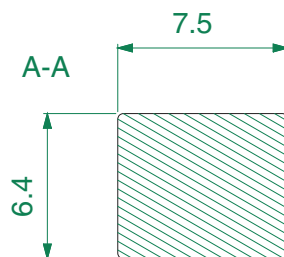
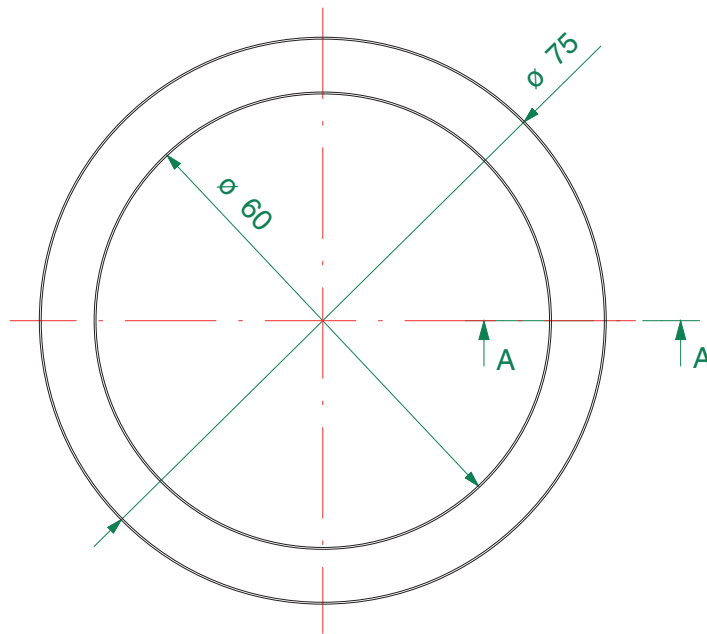
ECHANGEURS

WÄRMEAUSTAUSCHER

INTERCAMBIADORES

Pos	Orobica Code	Model	Brand	Gasket Type	Q.ty
-	900.0050	VT10	GEA	PORT RING GASKET	-

1:1 SCALE



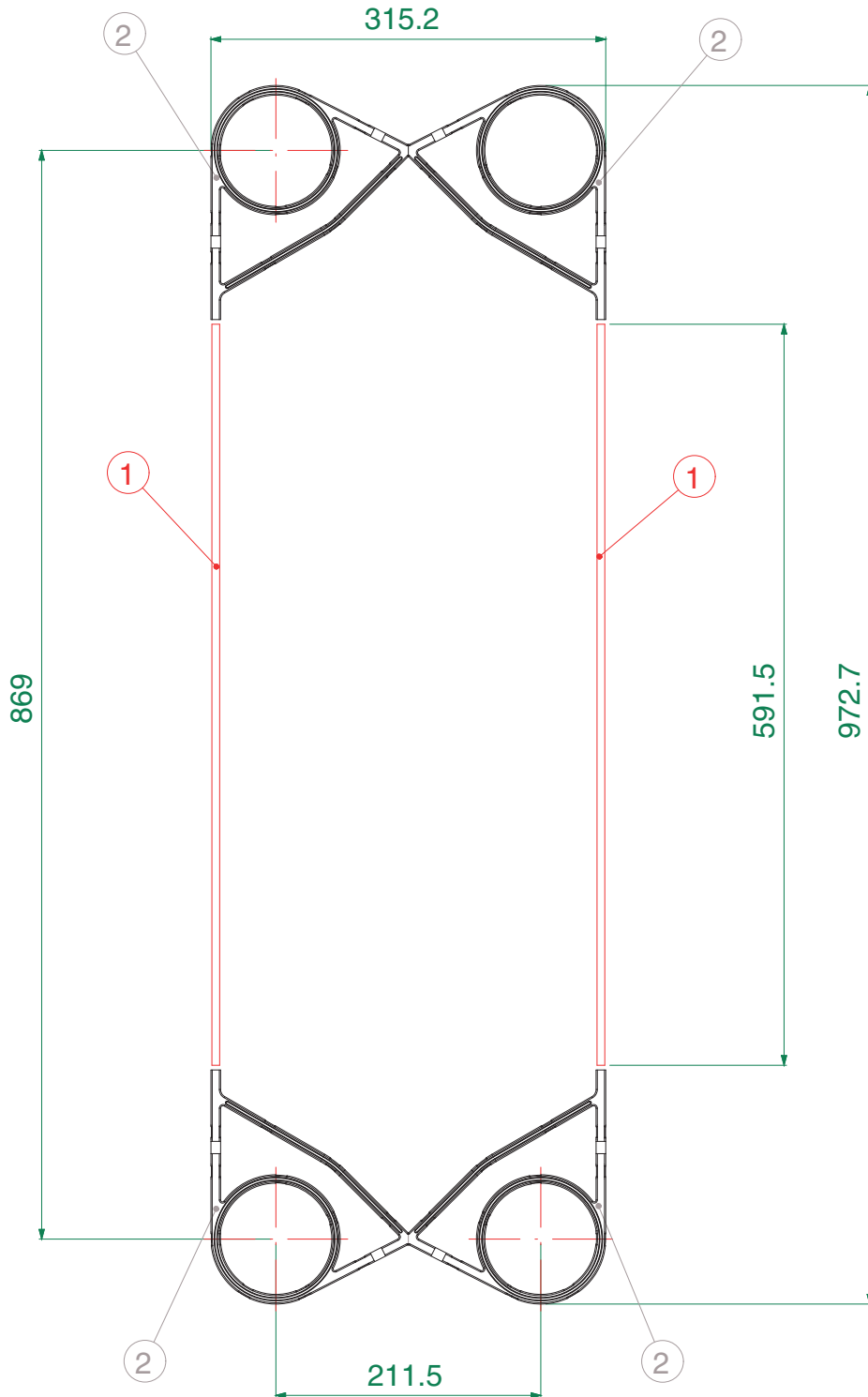
EXCHANGERS

ECHANGEURS

WÄRMEAUSTAUSCHER

INTERCAMBIADORES

Pos	Orobica Code	Model	Brand	Gasket Type	Q.ty
1/2	900.0548	VT20	GEA	SET ENDPLATE GASKET	-
1	900.0549	VT20	GEA	SUPPORT CONNECTION	2
2	900.0550	VT20	GEA	GASKET HEAD	4



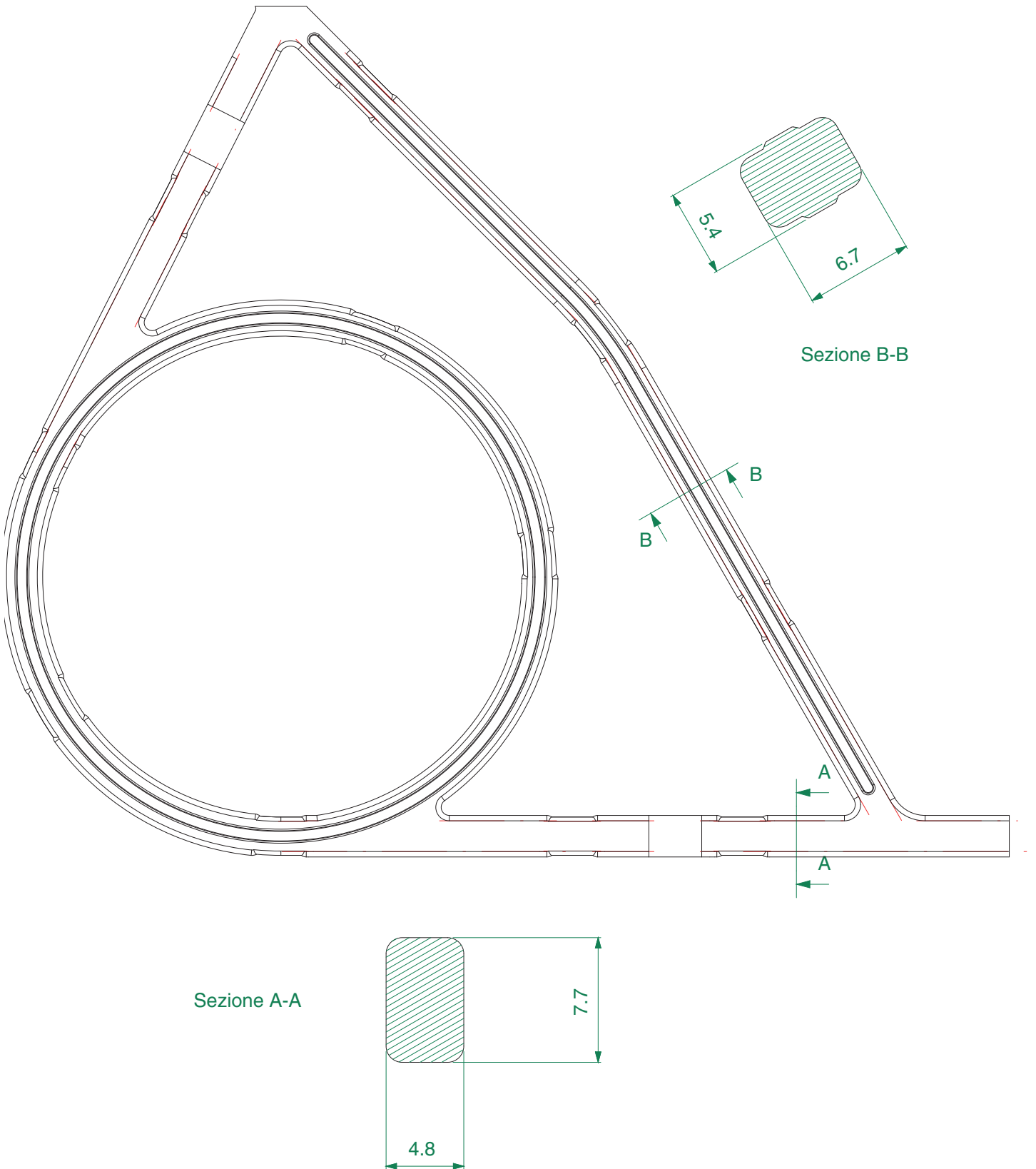
EXCHANGERS

ECHANGEURS

WÄRMEAUSTAUSCHER

INTERCAMBIADORES

Pos	Orobica Code	Model	Brand	Gasket Type	Q.ty
-	900.0550	VT20	GEA	GASKET HEAD	-



EXCHANGERS

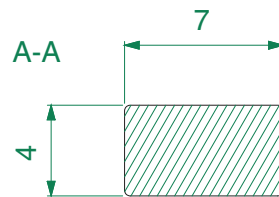
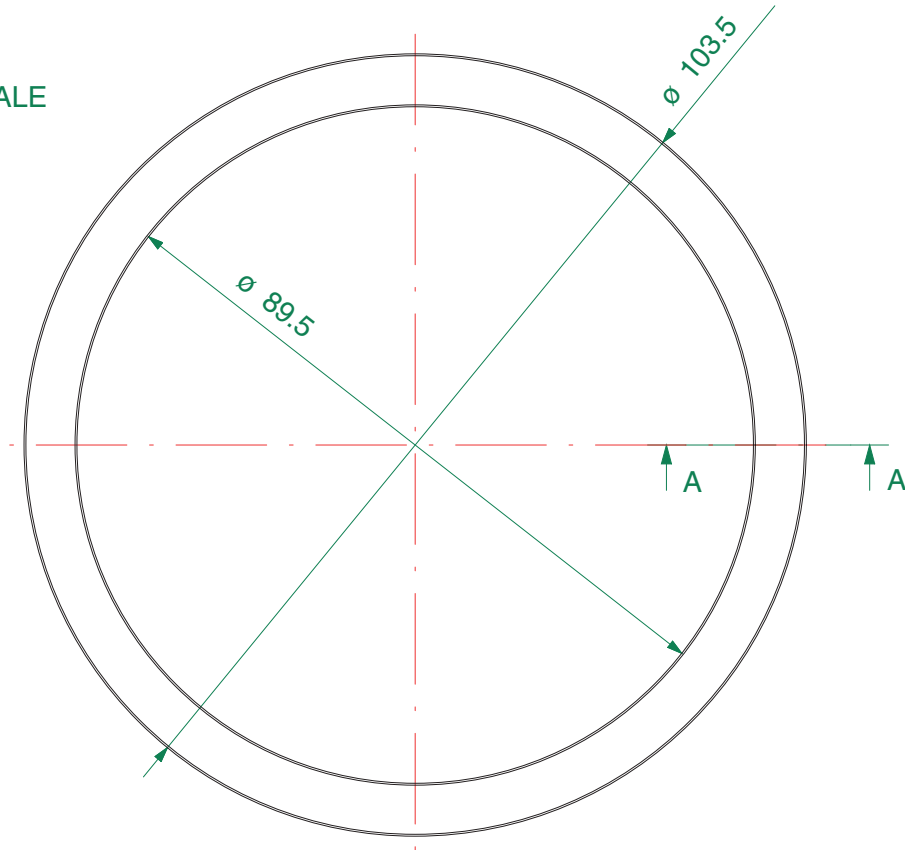
ECHANGEURS

WÄRMEAUSTAUSCHER

INTERCAMBIADORES

Pos	Orobica Code	Model	Brand	Gasket Type	Q.ty
-	900.0051	VT20	GEA	PORT RING GASKET	-

1:1 SCALE



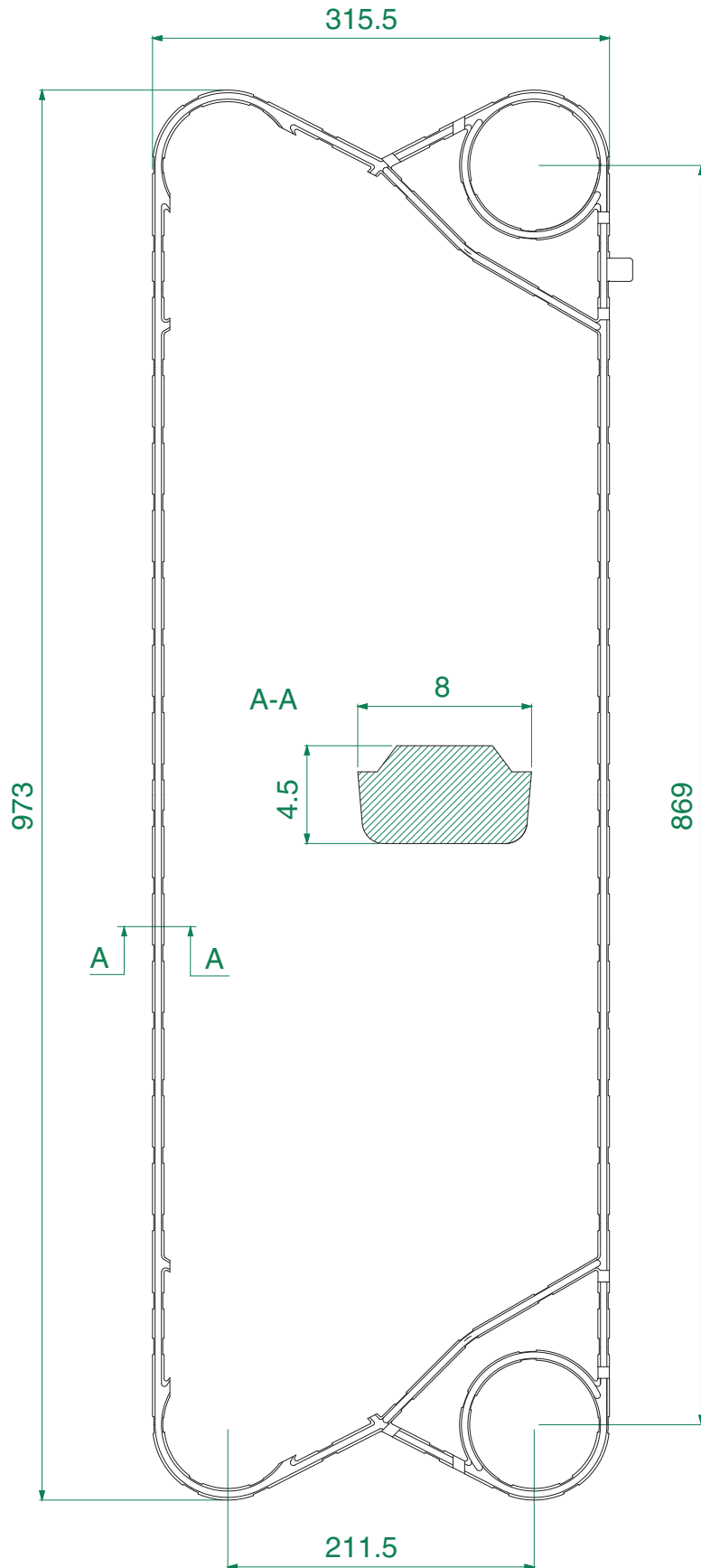
EXCHANGERS

ECHANGEURS

WÄRMEAUSTAUSCHER

INTERCAMBIADORES

Pos	Orobica Code	Model	Brand	Gasket Type	Q.ty
-	900.0114	VT20	GEA	"H-V" LOC-IN FLOWPLATE GASKET	-



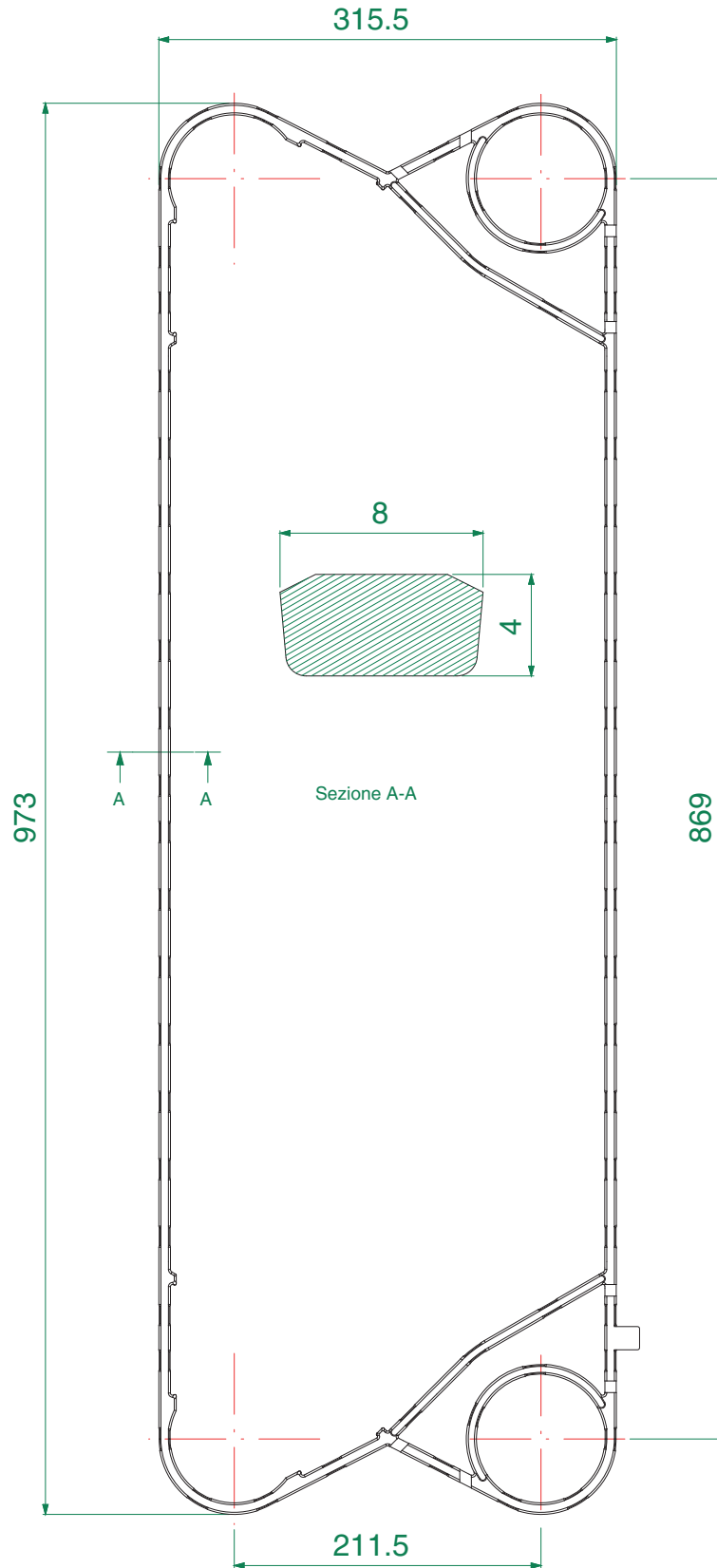
EXCHANGERS

ECHANGEURS

WÄRMEAUSTAUSCHER

INTERCAMBIADORES

Pos	Orobica Code	Model	Brand	Gasket Type	Q.ty
-	900.0111	VT20P	GEA	"P" LOC-IN FLOWPLATE GASKET	-



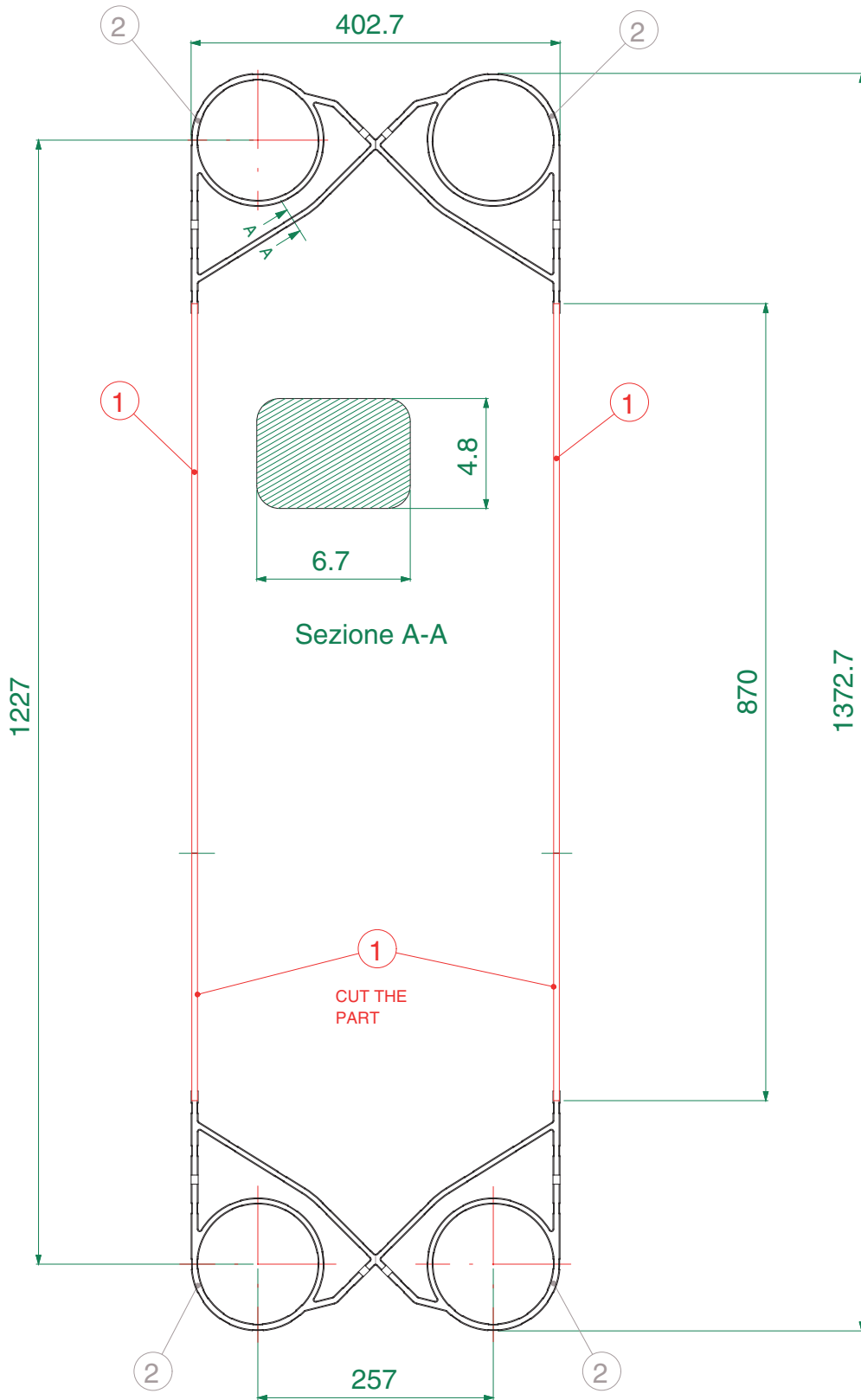
EXCHANGERS

ECHANGEURS

WÄRMEAUSTAUSCHER

INTERCAMBIADORES

Pos	Orobica Code	Model	Brand	Gasket Type	Q.ty
1/2	900.0551	VT40	GEA	SET ENDPLATE GASKET	-
1	900.0549	VT40	GEA	SUPPORT CONNECTION	3
2	900.0553	VT40	GEA	GASKET HEAD	4



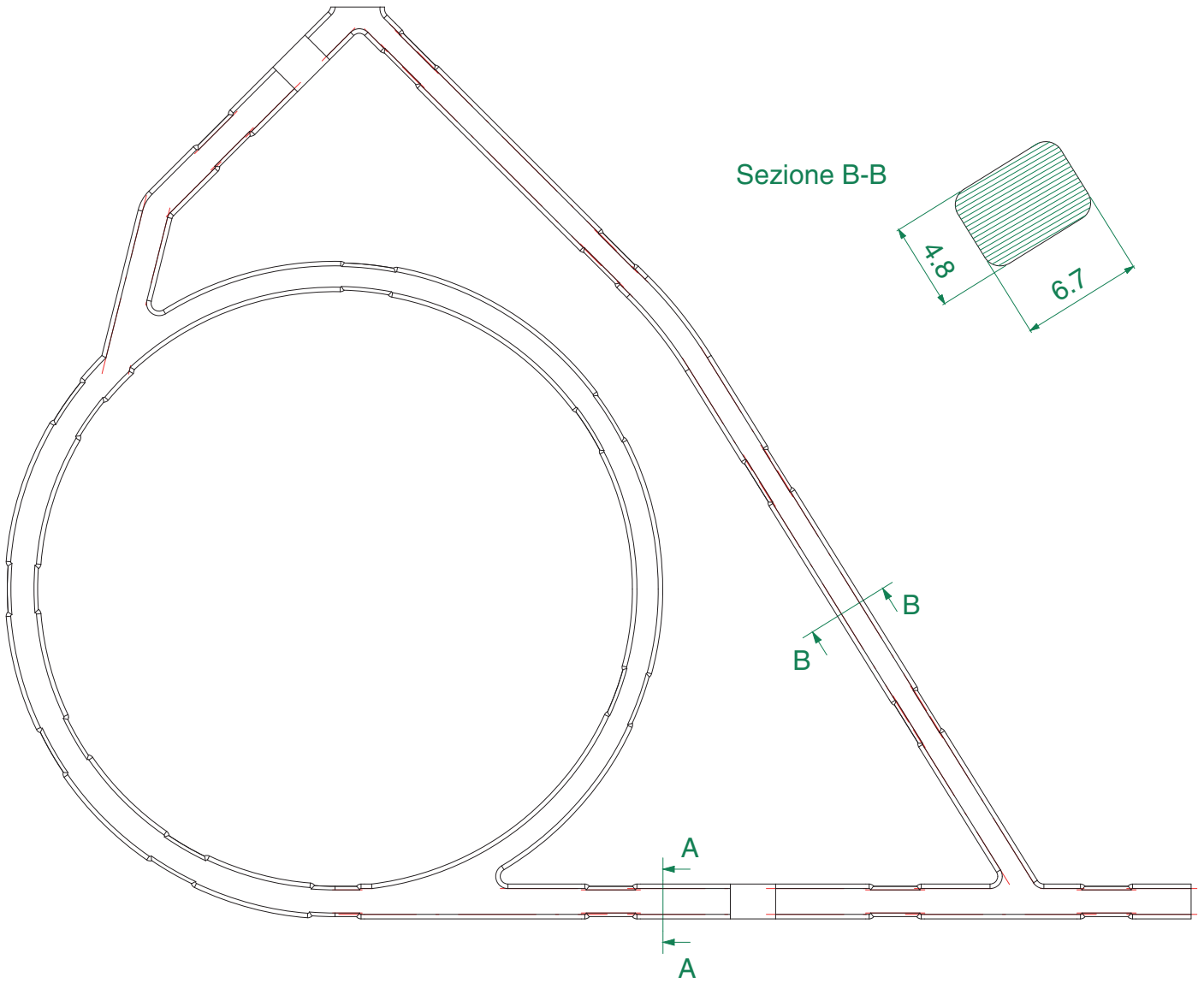
EXCHANGERS

ECHANGEURS

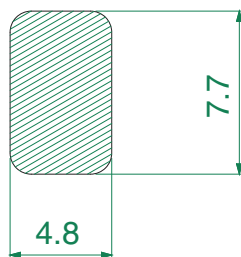
WÄRMEAUSTAUSCHER

INTERCAMBIADORES

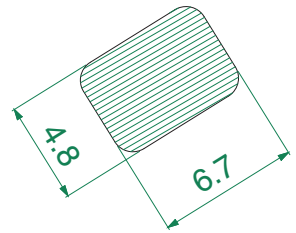
Pos	Orobica Code	Model	Brand	Gasket Type	Q.ty
-	900.0553	VT40	GEA	GASKET HEAD	-



Sezione A-A



Sezione B-B



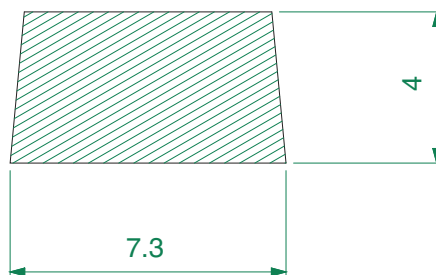
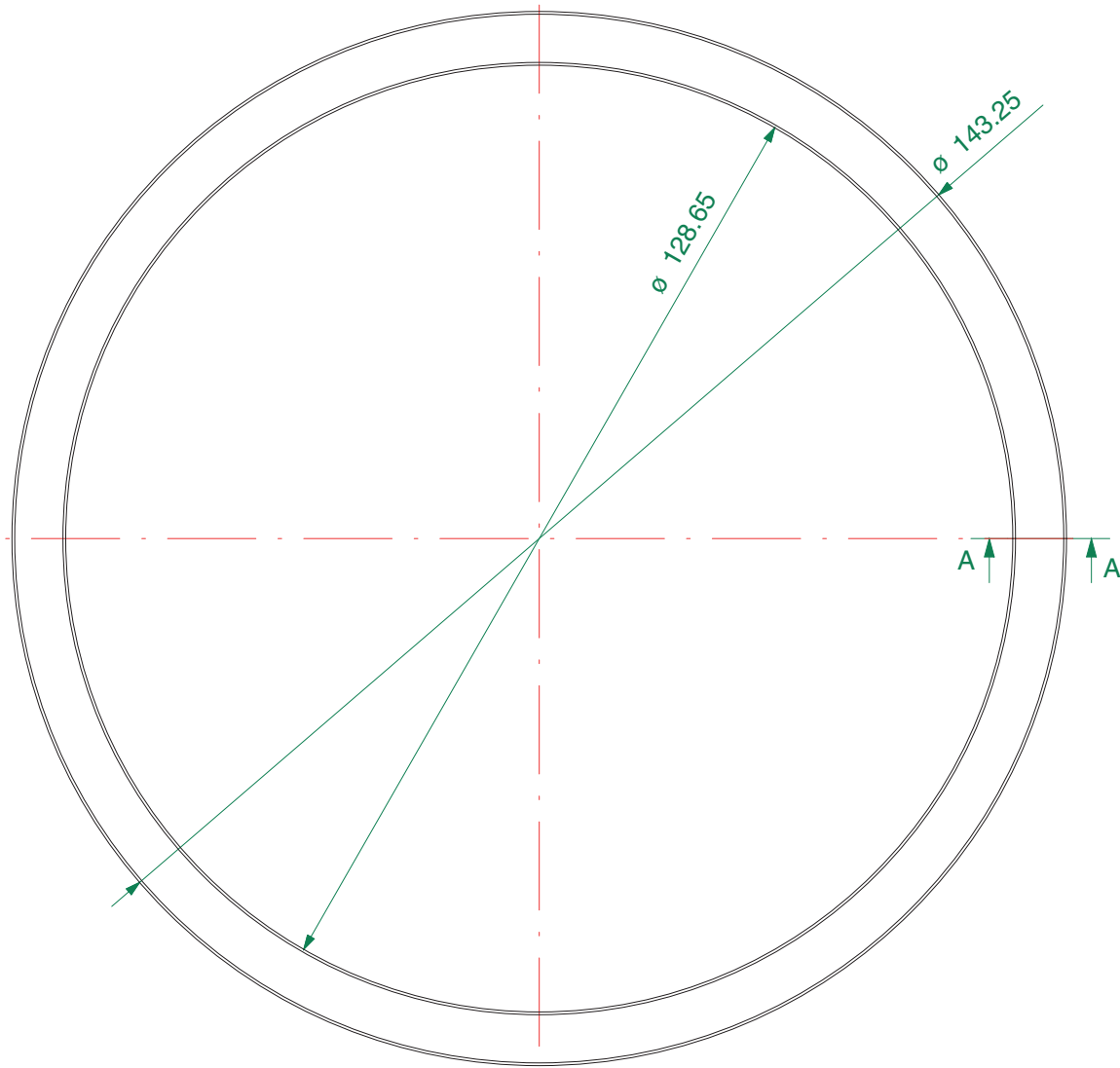
EXCHANGERS

ECHANGEURS

WÄRMEAUSTAUSCHER

INTERCAMBIADORES

Pos	Orobica Code	Model	Brand	Gasket Type	Q.ty
-	900.0052	VT40 H-V	GEA	PORT-RING GASKET H=4mm	-



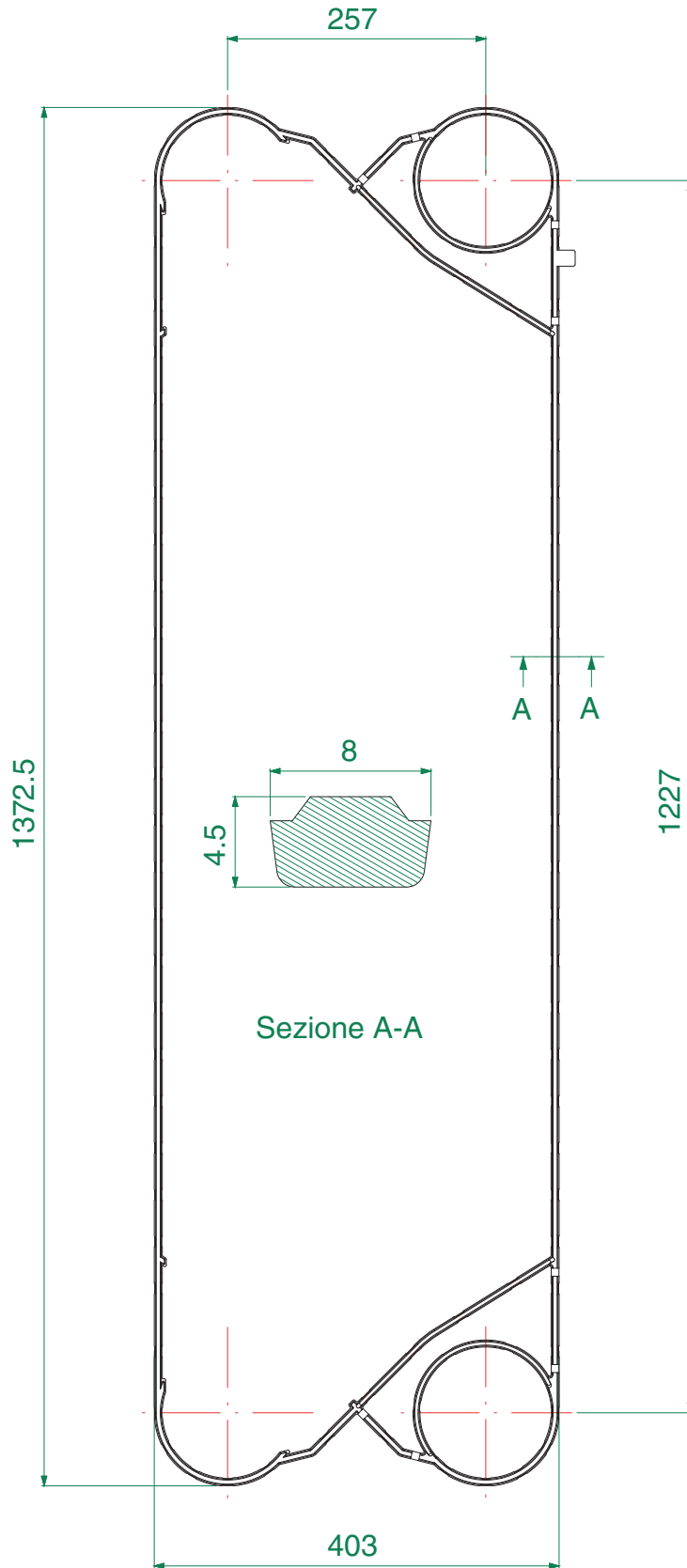
EXCHANGERS

ECHANGEURS

WÄRMEAUSTAUSCHER

INTERCAMBIADORES

Pos	Orobica Code	Model	Brand	Gasket Type	Q.ty
-	900.0089	VT40	GEA	"H-V" LOCK-IN FLOWPLATE	-



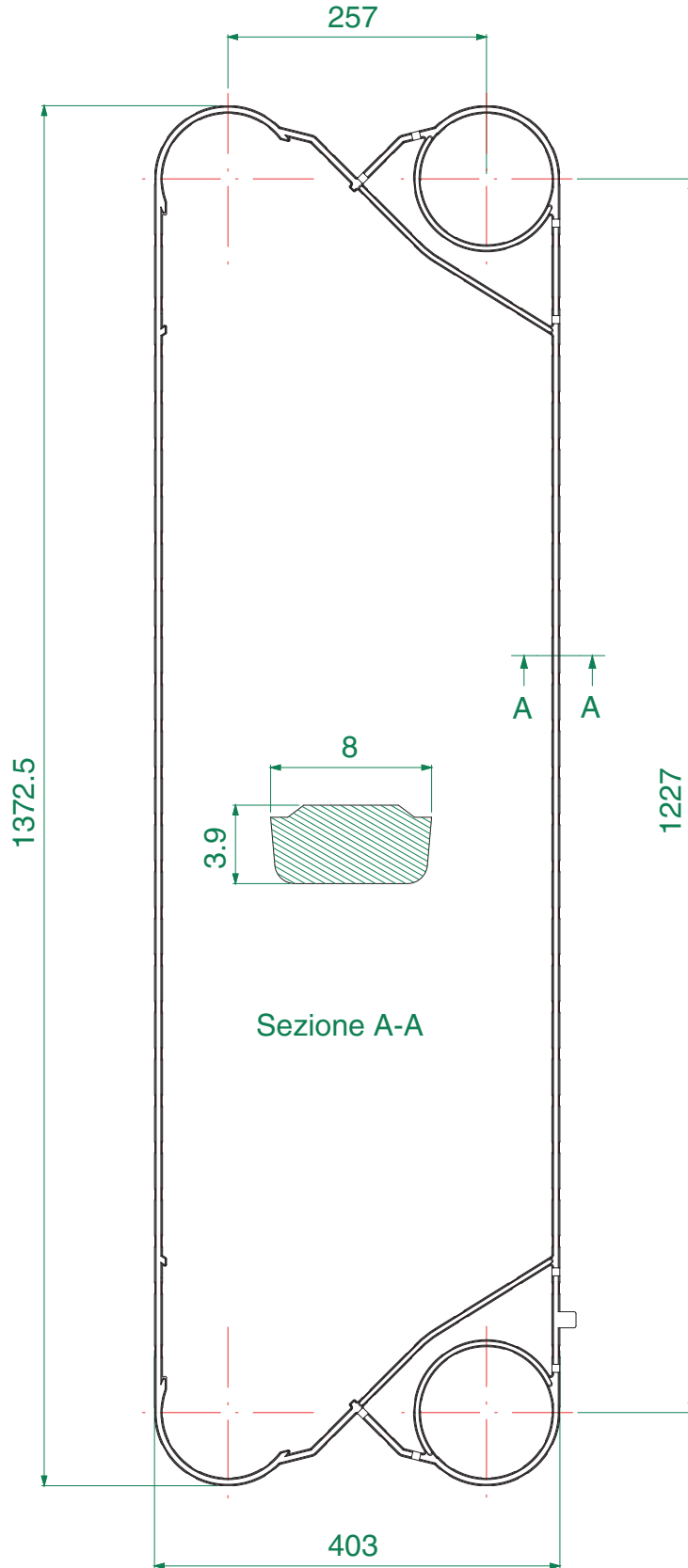
EXCHANGERS

ECHANGEURS

WÄRMEAUSTAUSCHER

INTERCAMBIADORES

Pos	Orobica Code	Model	Brand	Gasket Type	Q.ty
-	900.0476	VT40P-M	GEA	FLOWPLATE LOC-IN	-



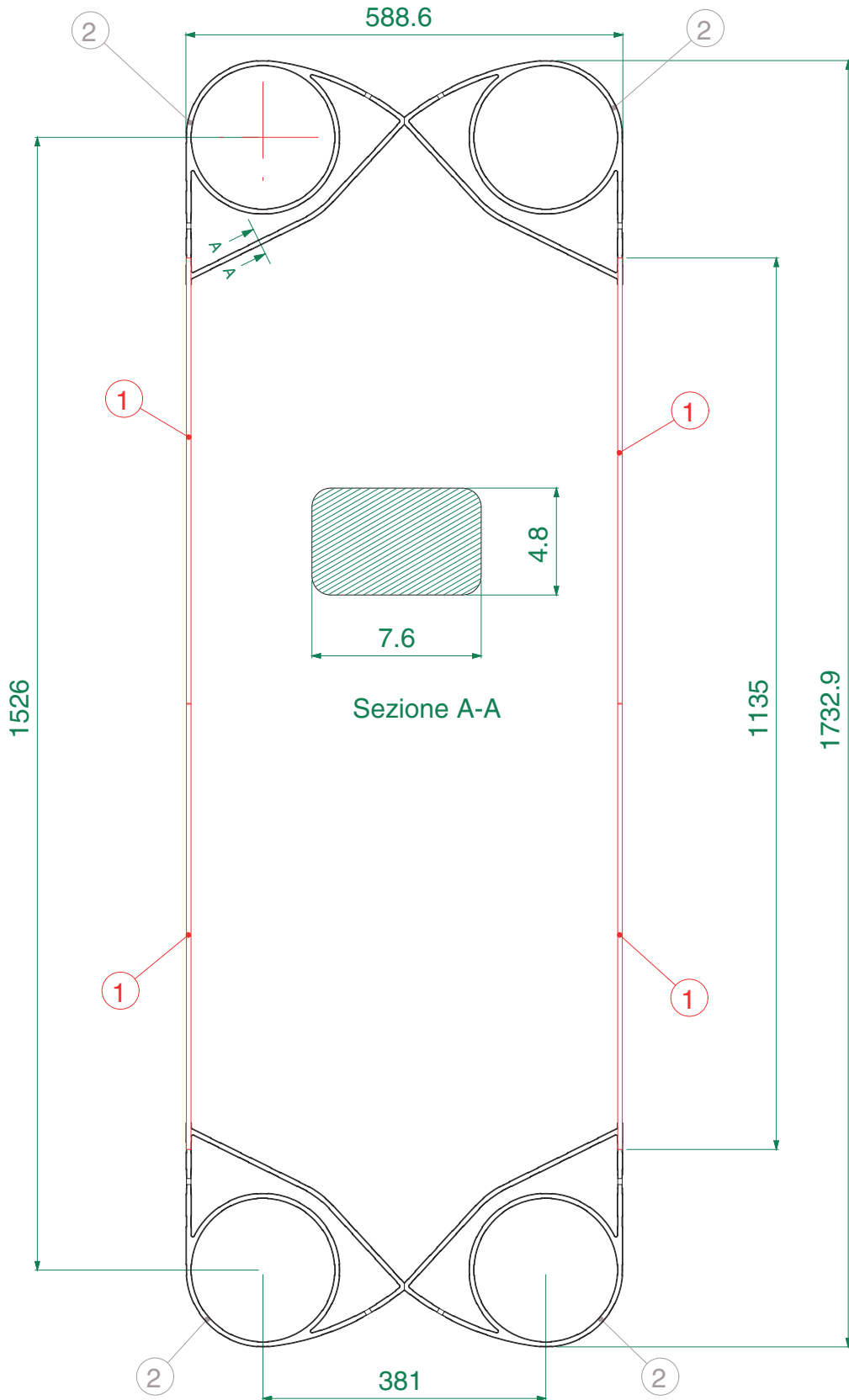
EXCHANGERS

ECHANGEURS

WÄRMEAUSTAUSCHER

INTERCAMBIADORES

Pos	Orobica Code	Model	Brand	Gasket Type	Q.ty
1/2	900.0554	VT80	GEA	SET ENDPLATE GASKET	-
1	900.0549	VT80	GEA	SUPPORT CONNECTION	4
2	900.0556	VT80	GEA	GASKET HEAD	4



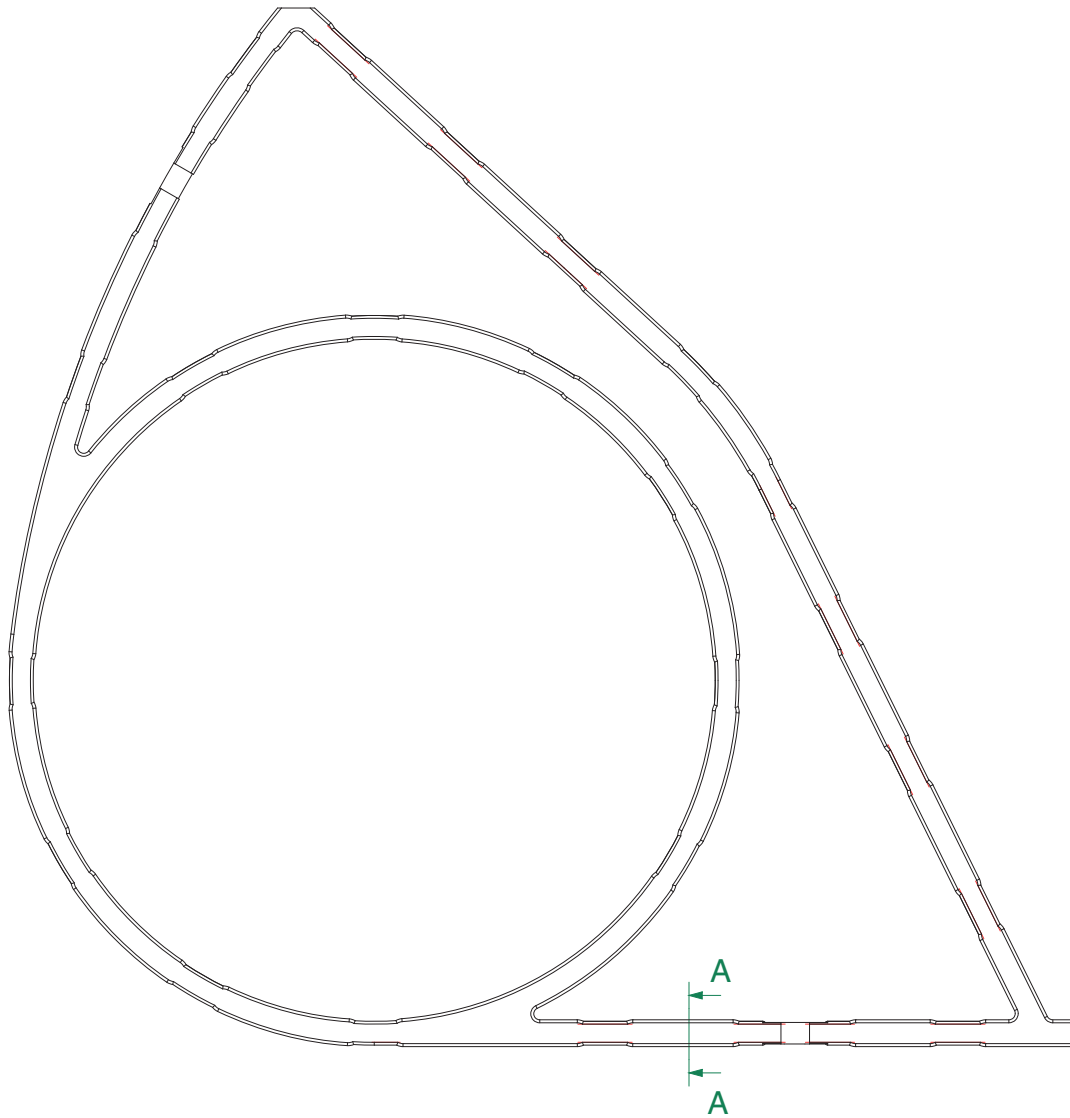
EXCHANGERS

ECHANGEURS

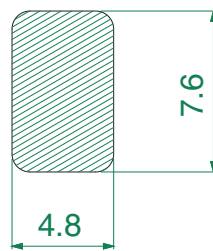
WÄRMEAUSTAUSCHER

INTERCAMBIADORES

Pos	Orobica Code	Model	Brand	Gasket Type	Q.ty
-	900.0556	VT80	GEA	GASKET HEAD	-



Sezione A-A



EXCHANGERS

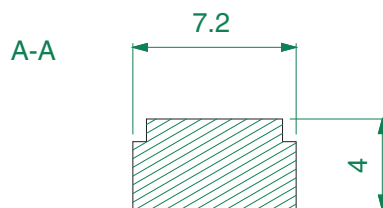
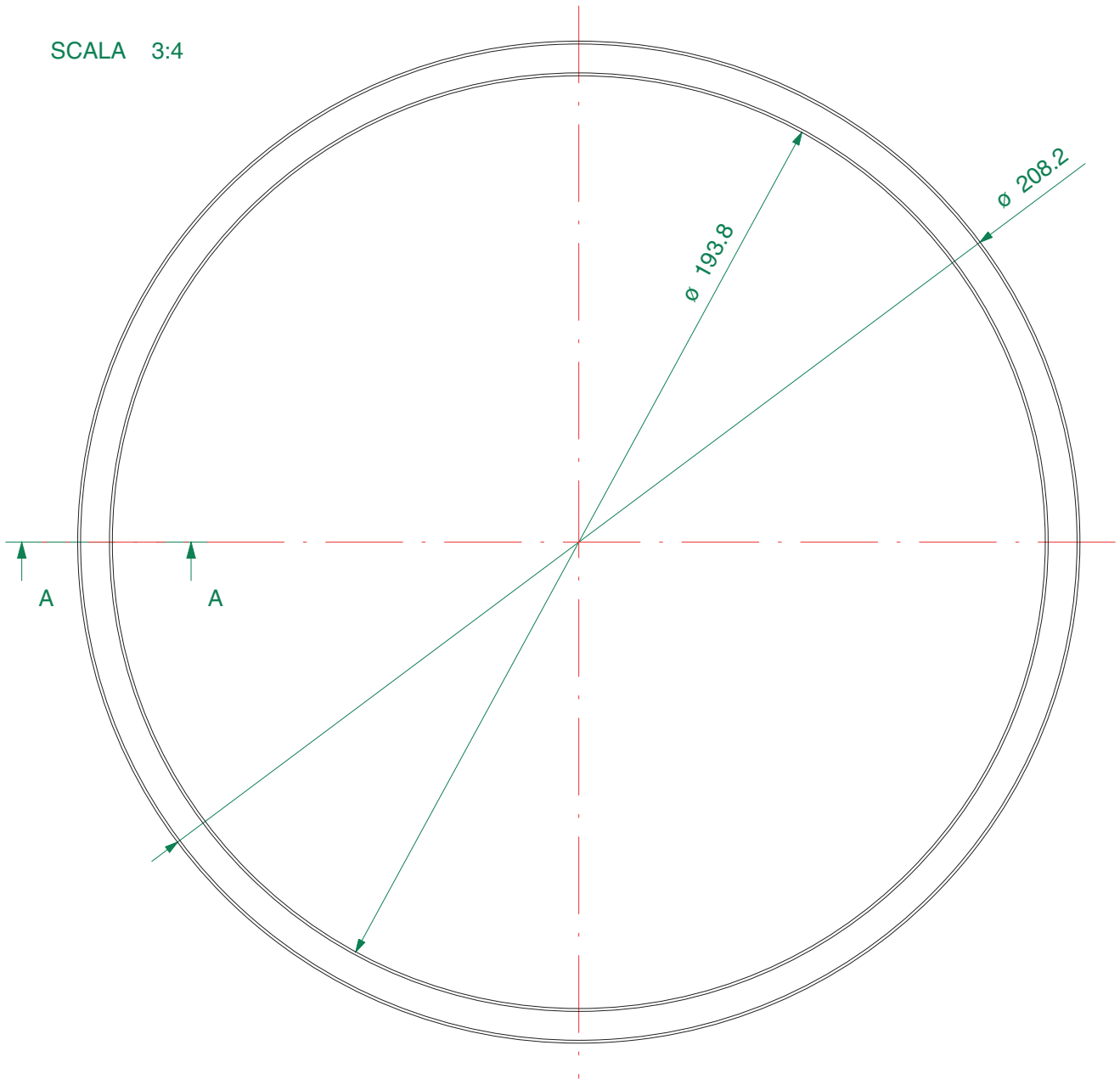
ECHANGEURS

WÄRMEAUSTAUSCHER

INTERCAMBIADORES

Pos	Orobica Code	Model	Brand	Gasket Type	Q.ty
-	900.0448	VT80	GEA	PORT RING GASKET	-

SCALA 3:4



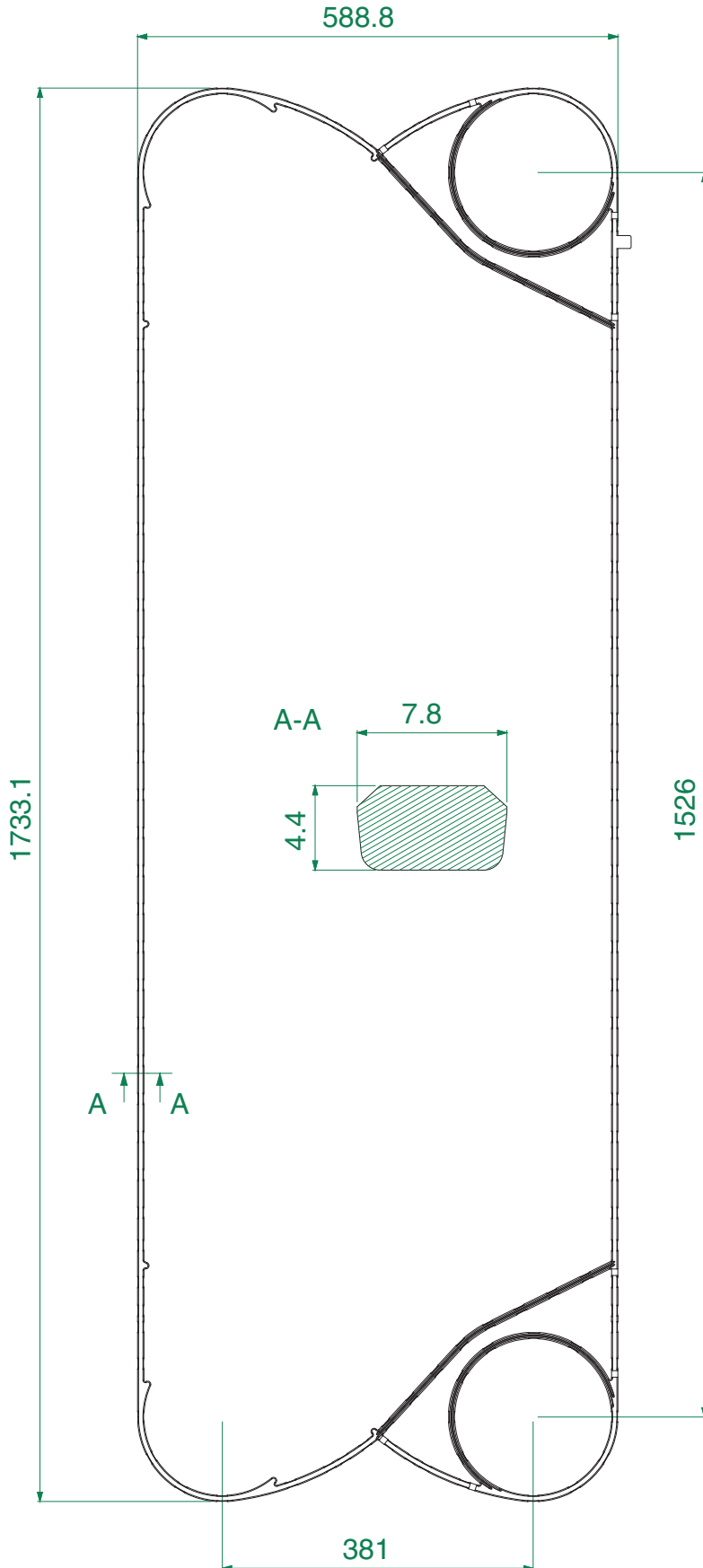
EXCHANGERS

ECHANGEURS

WÄRMEAUSTAUSCHER

INTERCAMBIADORES

Pos	Orobica Code	Model	Brand	Gasket Type	Q.ty
-	900.0347	VT80	GEA	"H-V" LOCK-IN FLOWPLATE GASKET	-



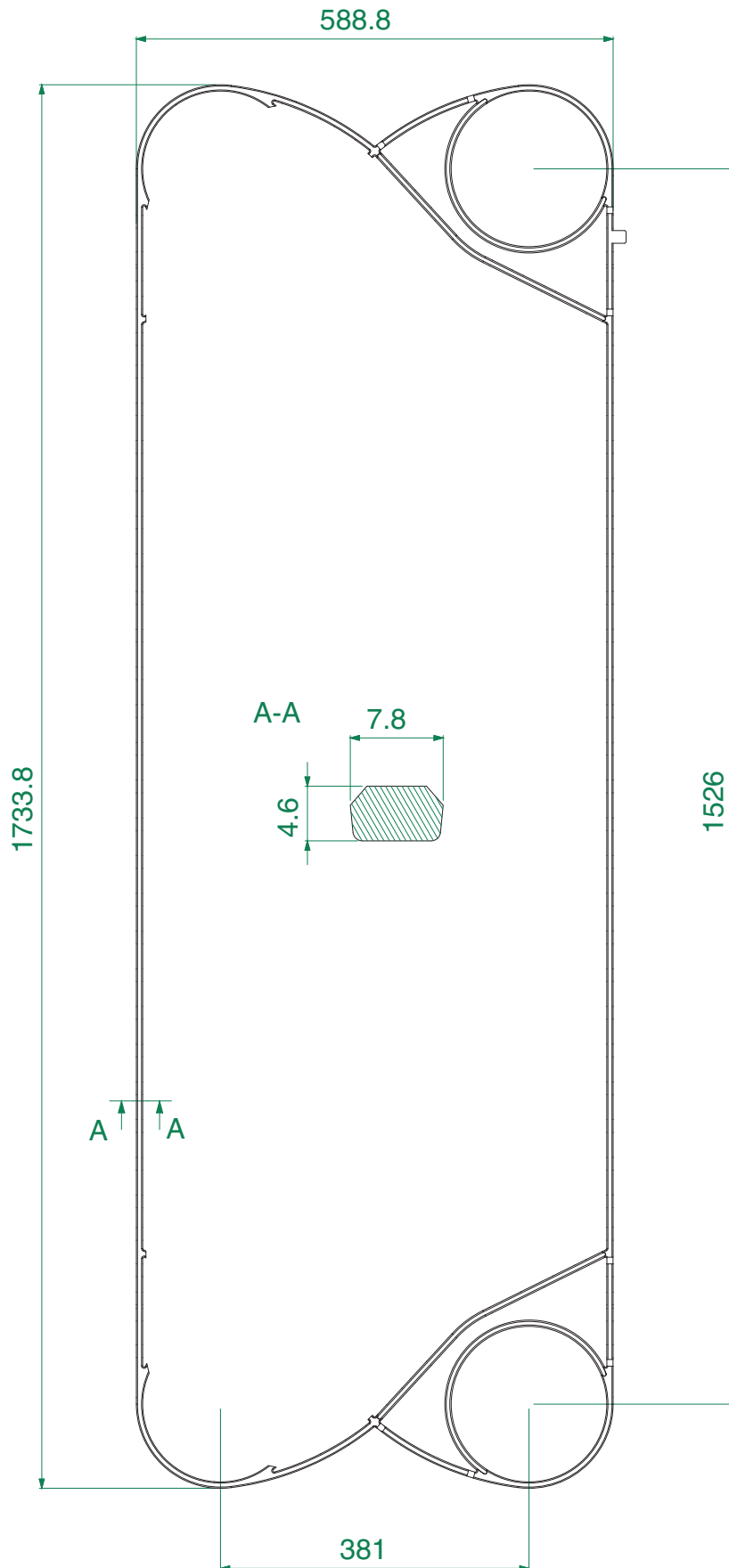
EXCHANGERS

ECHANGEURS

WÄRMEAUSTAUSCHER

INTERCAMBIADORES

Pos	Orobica Code	Model	Brand	Gasket Type	Q.ty
-	900.0333	VT80HV - X brasile	GEA	LOCK-IN FLOWPLATE GASKET	-



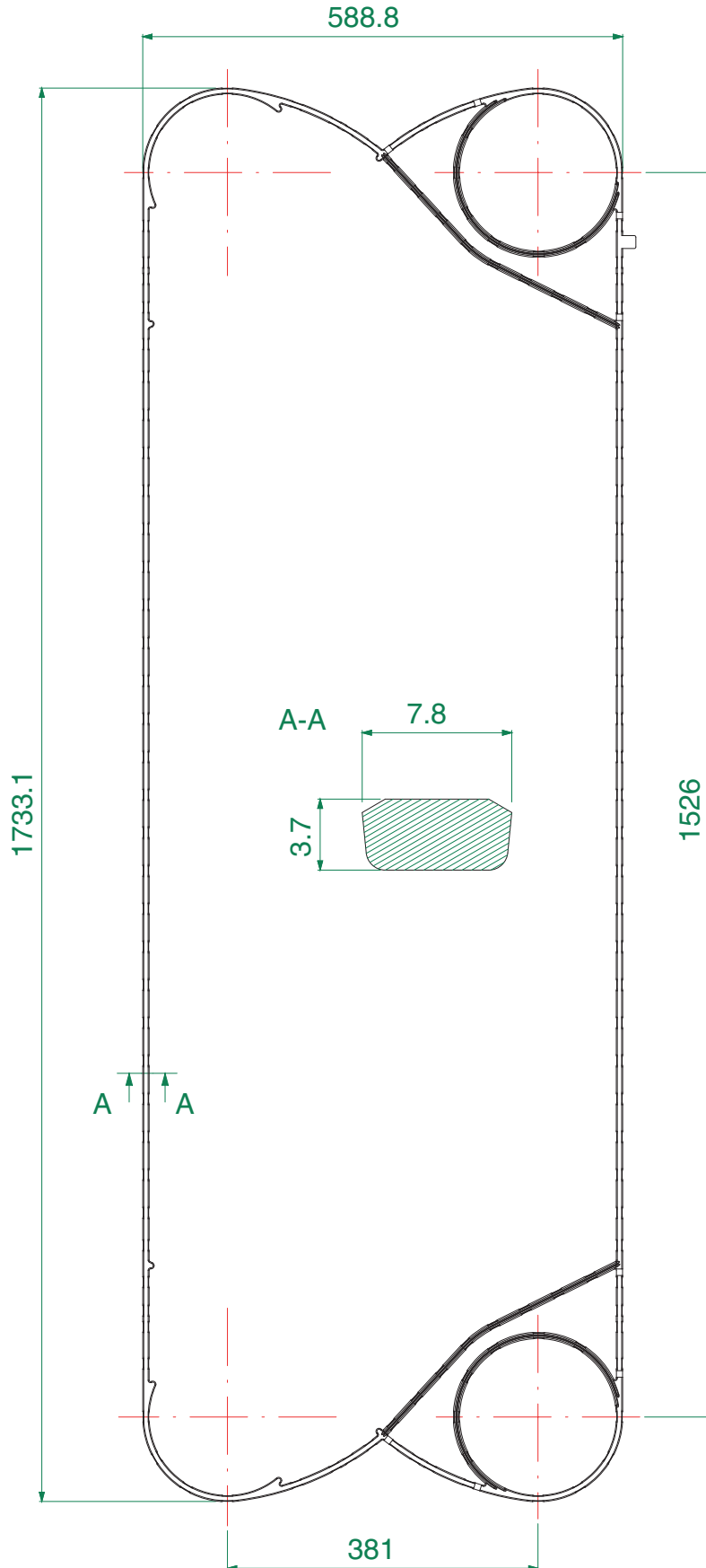
EXCHANGERS

ECHANGEURS

WÄRMEAUSTAUSCHER

INTERCAMBIADORES

Pos	Orobica Code	Model	Brand	Gasket Type	Q.ty
-	900.0524	VT80 M	GEA	"M" LOCK-IN FLOWPLATE GASKET	-



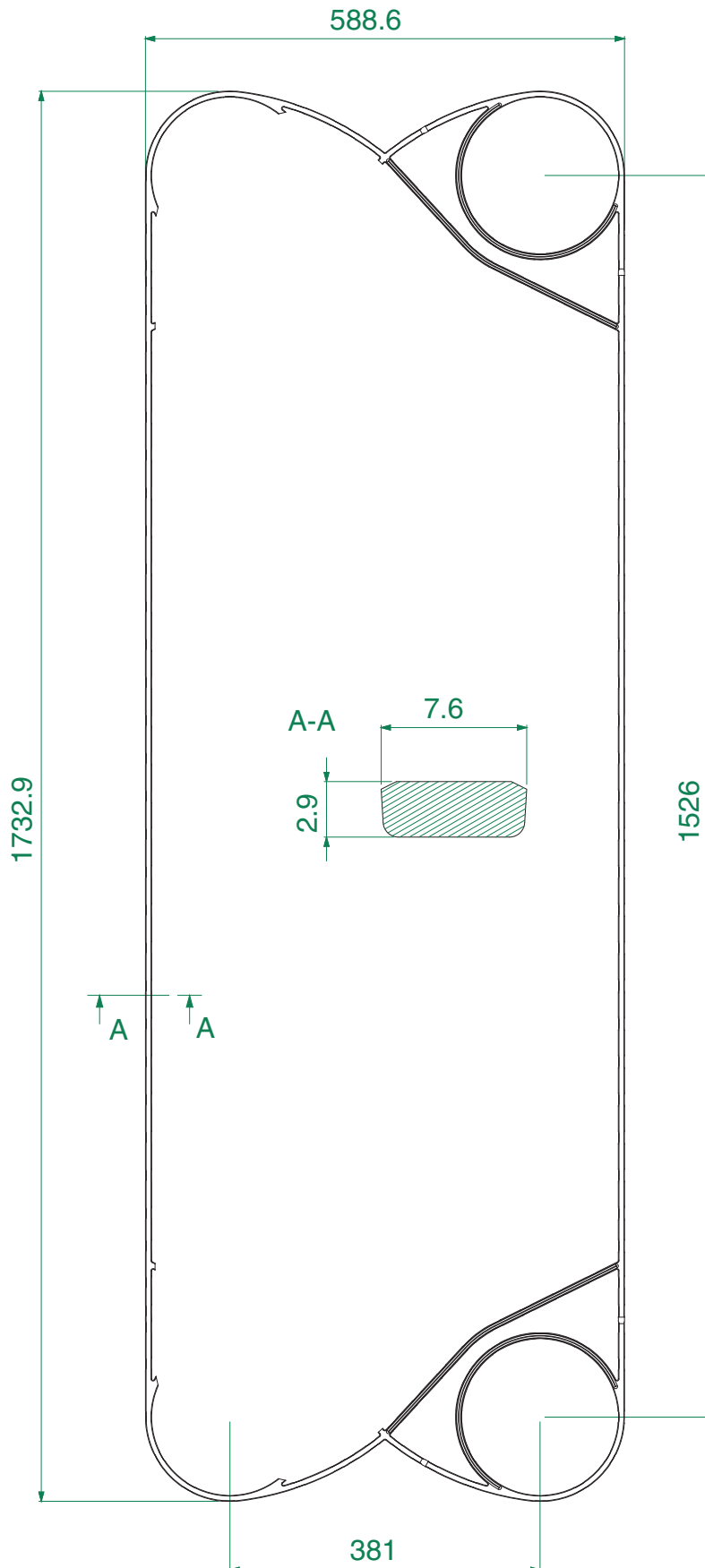
EXCHANGERS

ECHANGEURS

WÄRMEAUSTAUSCHER

INTERCAMBIADORES

Pos	Orobica Code	Model	Brand	Gasket Type	Q.ty
-	900.0326	VT 80	GEA	"P" LOCK-IN FLOWPLATE GASKET	-



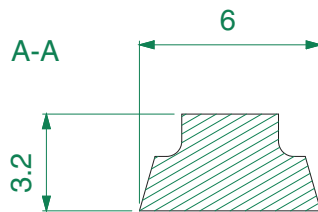
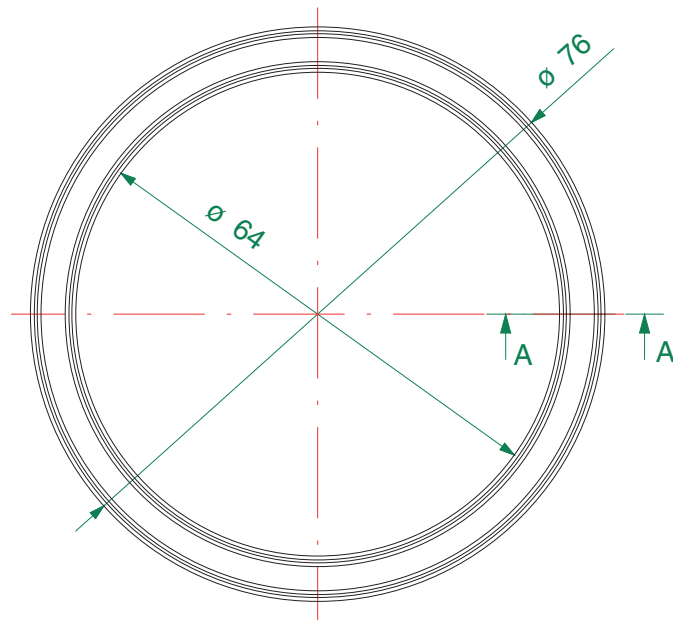
EXCHANGERS

ECHANGEURS

WÄRMEAUSTAUSCHER

INTERCAMBIADORES

Pos	Orobica Code	Model	Brand	Gasket Type	Q.ty
-	900.0086	VT159	GEA	PORT RING GASKET	-



EXCHANGERS

ECHANGEURS

WÄRMEAUSTAUSCHER

INTERCAMBIADORES

Pos	Orobica Code	Model	Brand	Gasket Type	Q.ty
-	900.0567	VT180	GEA	GLUED FLOWPLATE GASKET	-

