

INDEX		INDEX		INDEX		ÍNDICE	
COD	PAG.	COD	PAG.	COD	PAG.	COD	PAG.
A15 Flow - Cod.900.0001	6	EC500 Port Ring H=9,0 - Cod.900.0330	53	M15M+F End Set - Cod.900.0395	100		
A15B End - Cod.900.0388	7	EC500 Throttle Gasket - Cod.900.0630	54	M15M-M15F Flow - Cod.900.0344	101		
A15B Flow Glued - Cod.900.0212	8	H7 Flow - Cod.900.0100	55	M20M End Set - Cod.900.0178	102		
A15B Flow Snap-On - Cod.900.0211	9	H7 Port Ring H=5,3 - Cod.900.0261	56	M20M Flow Gasket - Cod.900.0396	103		
A15B Port Ring H=4,15 - Cod.900.0213	10	H7 Port Ring H=9,7 - Cod.900.0442	57	M20M Port Ring H=7,4 - Cod.900.0533	104		
A15BW Flow Clip-On - Cod.900.0406	11	H7 RC End Set - Cod.900.0262	58	M20M-T20M Flow Clip - Cod.900.0177	105		
A15BW Port Ring Clip-On H=3,8 - Cod.900.0383	12	H7 RC Port Ring H=6,6 - Cod.900.0259	59	M20MW End Twin Plate I Set - Cod.900.0613	106		
A15BW Port Ring Glued H=5,0 Cod.900.0468	13	H7FMC - Clip 8 Port Ring H=9,0 - Cod.900.0225	60	M20MW Field Gasket Clip-On - Cod.900.0546	107		
A20B Flow Snap-On - Cod.900.0488	14	H7FMC - Clip 8 Port Ring H=9,0 - Cod.900.0260	61	M20MW Port Ring H=5,0 - Cod.900.0362	108		
A30 Flow Glued - 900_0547	15	H7FMC End Set - Cod.900.0450	62	M20MW Port Ring H=8,2 - Cod.900.0220	109		
A35 Flow Glued - Cod.900.0465	16	H10 End Set - Cod.900.0443	63	M30 End - Cod.900.0397	110		
AK20 End - Cod.900.0389	17	H10 Flow - Cod.900.0044	64	M30 Flow - Cod.900.0372	111		
AK20-T200 Flow Glued - Cod.900.0338	18	H10 Port Ring H=6,9 - Cod.900.0440	65	MA30S End Port Ring H=13,5 - Cod.900.0629	112		
AK20-T200 Port Ring H=6,3 - Cod.900.0339	19	H10 Port Ring H=6,9 - Cod.900.0441	66	MA30S Flow - Cod.900.0381	113		
AM10 End I - Cod.900.0543	20	H10 Port Ring H=7,5 - Cod.900.0046	67	MK15BW Flow - Cod.900.0341	114		
AM10 End II - Cod.900.0515	21	H10 Port Ring H=9,1 - Cod.900.0192	68	MK15BW Port Ring H=4,06 - Cod.900.0342	115		
AM10 Flow - Cod.900.0428	22	H10-CLIP10-AM10 Port Ring H=7,0 - Cod.900.0045	69	MK15BW Port Ring H=5,6 - Cod.900.0343	116		
AM10 High Port Ring H=8,4 - Cod.900.0517	23	M3 Flow - Cod.900.0375	70	MX25B Flow Clip-On - Cod.900.0434	117		
AM10 Low Port Ring H=3,1 - Cod.900.0516	24	M6 End - Cod.900.0364	71	MX25B Flow Glued - Cod.900.0435	118		
AM10-H10-CLIP10 Port Ring H=7,0 Cod.900.0045	25	M6 Flow - Cod.900.0363	72	P2 Flow Flat Clip - Cod.900.0526	119		
AM20 Connection H=2,9 - Cod.900.0504	26	M6 Port Ring H=3,55 - Cod.900.0365	73	P13 End - Cod.900.0235	120		
AM20 End Set I - Cod.900.0502	27	M6M End - Cod.900.0098	74	P13 Flow - Cod.900.0062	121		
AM20 End Set II - Cod.900.0506	28	M6M Flow - Cod.900.0097	75	P13 Open for P135 - Cod.900.0399	122		
AM20 Flow - Cod.900.0444	29	M6M LIP Flow - Cod.900.0202	76	P14 End Set - Cod.900.0234	123		
AM20 Head I - Cod.900.0508	30	M6M Port Ring H=5,3 - Cod.900.0221	77	P14 Flow - Cod.900.0066	124		
AM20 Head II - Cod.900.0509	31	M10 Manicotto H=30 - Cod.900.0470	78	P14 Open for P145 - Cod.900.0400	125		
AM20 Port Ring - Cod.900.0449	32	M10B End - Cod.900.0222	79	P15 Flow - Cod.900.0087	126		
AM20 Stepped Port Ring H=3,5 - Cod.900.0503	33	M10B Flow Clip RIB - Cod.900.0512	80	P22 End Flat Glued - Cod.900.0404	127		
AM20 Support Strip - Cod.900.0507	34	M10B Flow Clip-On - Cod.900.0197	81	P22 End Peack Clip - Cod.900.0403	128		
AM20 Triangle H=2,65 - Cod.900.0505	35	M10B Flow Glued - Cod.900.0391	82	P22 Flow Flat Clip - Cod.900.0526	129		
AV110 Flow Glued - Cod. 900.0513	36	M10B Port Ring H=5,2 - Cod.900.0223	83	P22 Flow Flat Glued - Cod.900.0265	130		
AV170 Flow Glued - Cod.900.0446	37	M10BW Flow - Cod.900.0252	84	P22 Flow Peack Clip - Cod.900.0141	131		
AV170 Peak Flow Glued - Cod.900.0485	38	M10BW Port Ring H=3,65 - Cod.900.0253	85	P22 Flow Peack Glued - Cod.900.0401	132		
CLIP6 End - Cod.900.0390	39	M10BW Port Ring H=5,5 - Cod.900.0254	86	P22 Port Ring H=4,3 - Cod.900.0195	133		
CLIP6 Flow - Cod.900.0184	40	M10M End - Cod.900.0218	87	P26 Flow Glued - Cod.900.0617	134		
CLIP6 Port Ring H=6,5 - Cod.900.0185	41	M10M Flow Clip-On - Cod.900.0180	88	P31 Flow Glued - Cod.900.0445	135		
CLIP8 End - Cod.900.0224	42	M10M Flow Glued - Cod.900.0392	89	P31 Lining H=44 - Cod.900.0598	136		
CLIP8 Flow - Cod.900.0189	43	M10M Port Ring H=4,9 - Cod.900.0439	90	P45 Flow - Cod.900.0579	137		
H7FMC - Clip 8 Port Ring H=9,0 - Cod.900.0225	44	M10M Port Ring H=7,2 - Cod.900.0219	91	T20M-M20M Flow Clip - Cod.900.0177	138		
H7FMC - Clip 8 Port Ring H=9,0 - Cod.900.0260	45	M10MX A-B Flow - Cod.900.0521	92	TL6B Flow Clip - Cod.900.0608	139		
CLIP10 End - Cod.900.0281	46	M15B End Set - Cod.900.0394	93	TL10B Flow Clip - Cod.900.0540	140		
CLIP10 Flow - Cod.900.0191	47	M15B Flow Clip-On - Cod.900.0438	94	TL10B Port Ring H=4,2 - Cod.900.0541	141		
CLIP10-H10-AM10 Port Ring H=7,0 - Cod.900.0045	48	M15B Flow Glued - Cod.900.0539	95	TS6M Flow Clip - Cod.900.0447	142		
EC500 End Set - Cod.900.0356	49	M15B LIP Flow Clip - Cod.900.0126	96	TS20M End Set - Cod.900.0514	143		
EC500 Flow - Cod.900.0329	50	M15B Port Ring H=4,75 - Cod.900.0373	97	TS20M Flow Clip - Cod.900.0413	144		
EC500 Flow Set - Cod.900.03291	51	M15F-M15M Port Ring H=7,3 - Cod.900.0472	98	TS20M Port Ring H=7,2 - Cod.900.0501	145		
EC500 Port Ring H=4,7 - Cod.900.0357	52	M15M Flow Glued - Cod.900.0393	99				

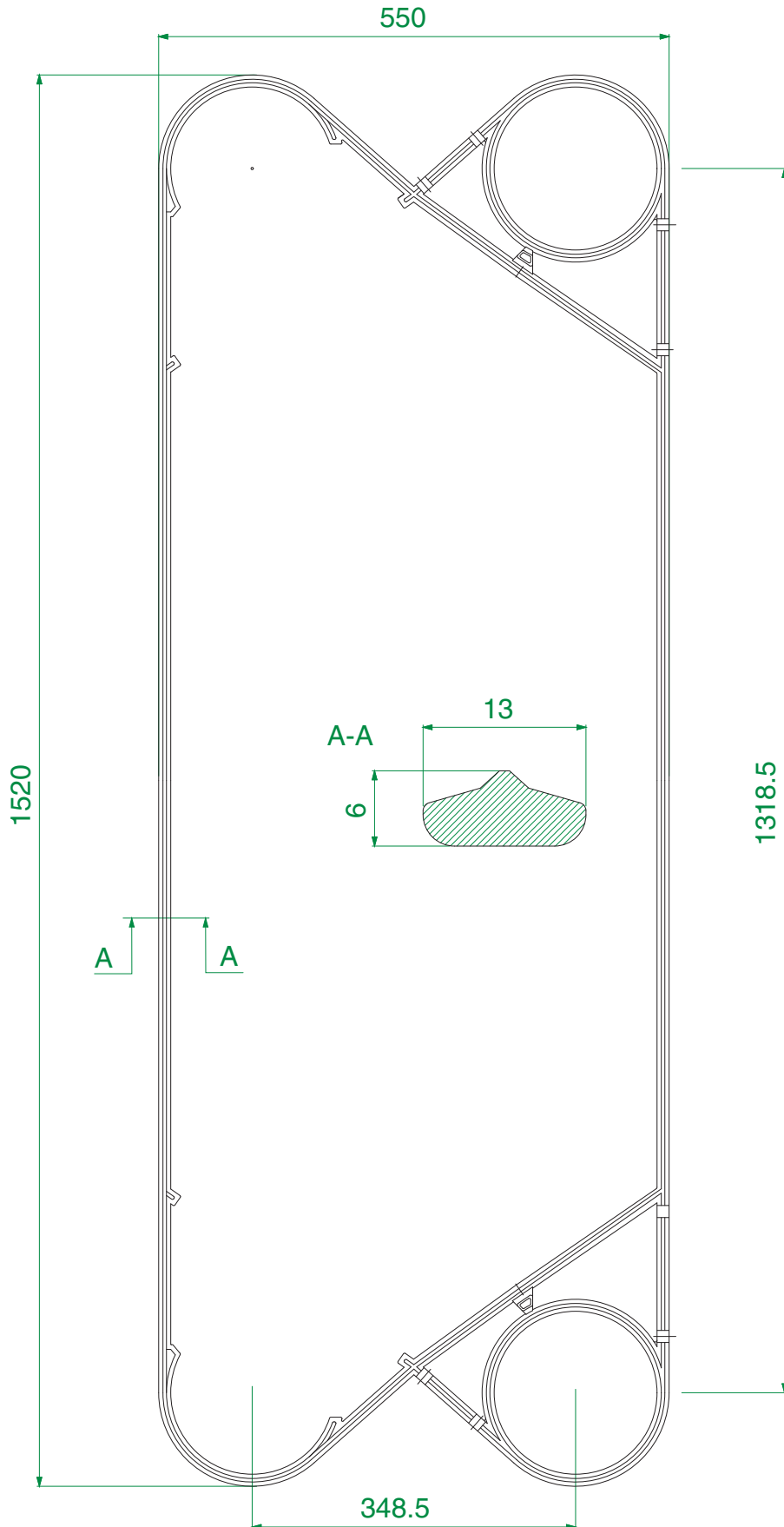
EXCHANGERS

ECHANGEURS

WÄRMEAUSTAUSCHER

INTERCAMBIADORES

Pos	Orobica Code	Model	Brand	Gasket Type	Q.ty
-	900.0001	A15	ALFA LAVAL	CHANNEL PLATE GASKET	-



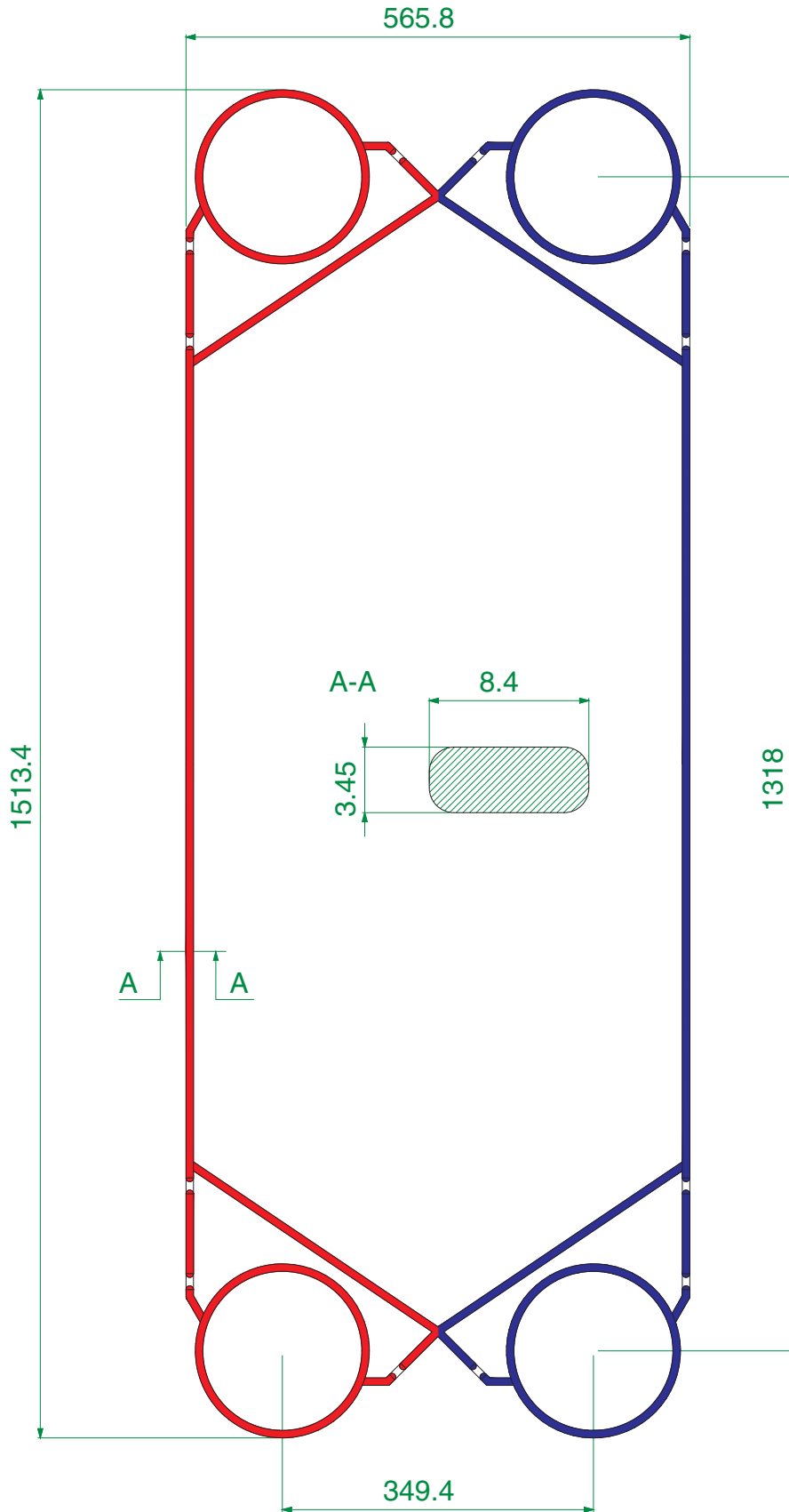
EXCHANGERS

ECHANGEURS

WÄRMEAUSTAUSCHER

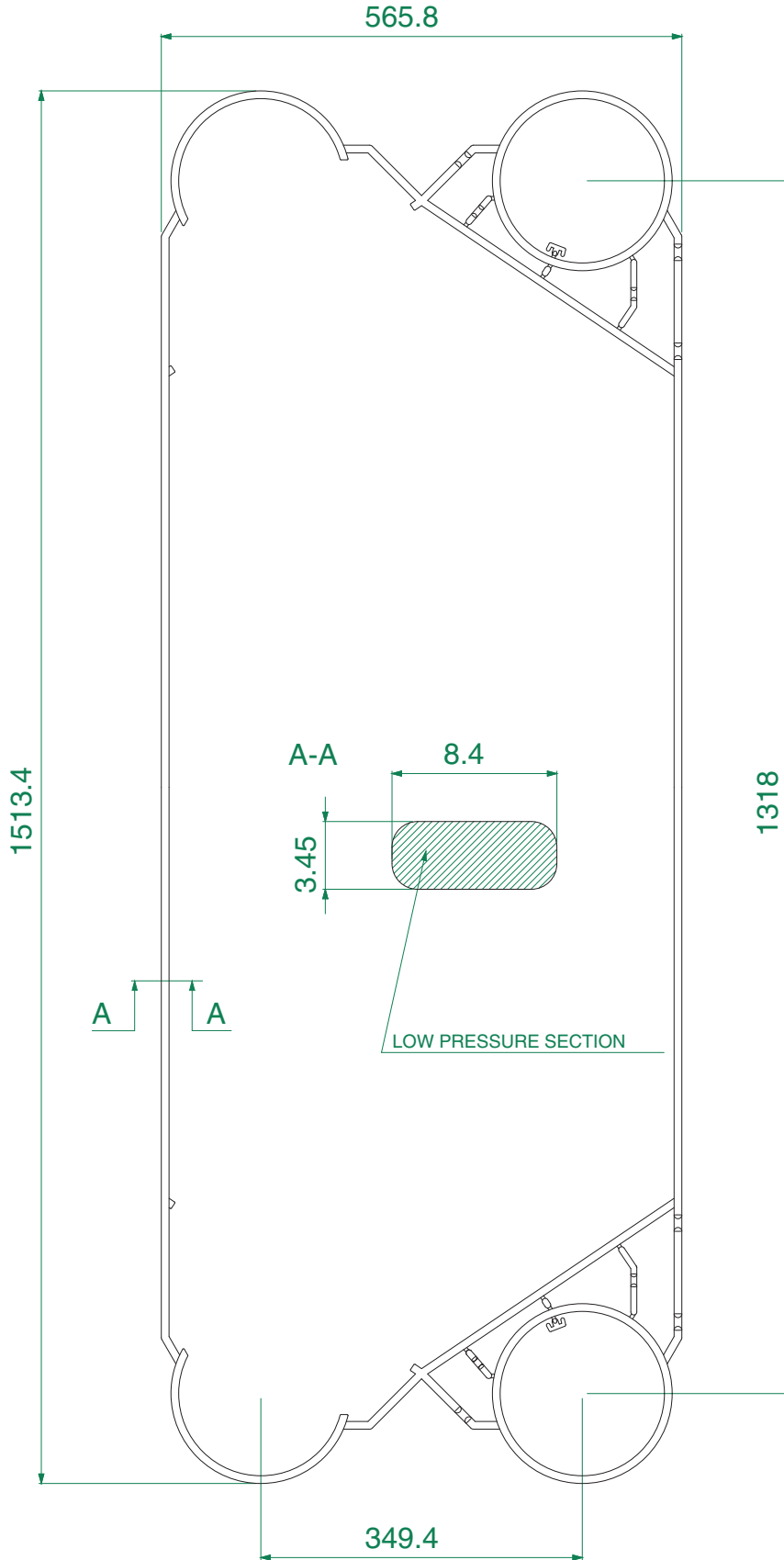
INTERCAMBIADORES

Pos	Orobica Code	Model	Brand	Gasket Type	Q.ty
-	900.0388	A15B	ALFA LAVAL	END PLATE GASKET II SET	-



WE OBTAIN END PLATE GASKET II SET CUTTING
TWO CHANNEL PLATE GASKETS OUR CODE 900.0212

Pos	Orobica Code	Model	Brand	Gasket Type	Q.ty
-	900.0212	A15B	ALFA LAVAL	GLUED CHANNEL PLATE GASKET LOW PRESSURE SECTION	-



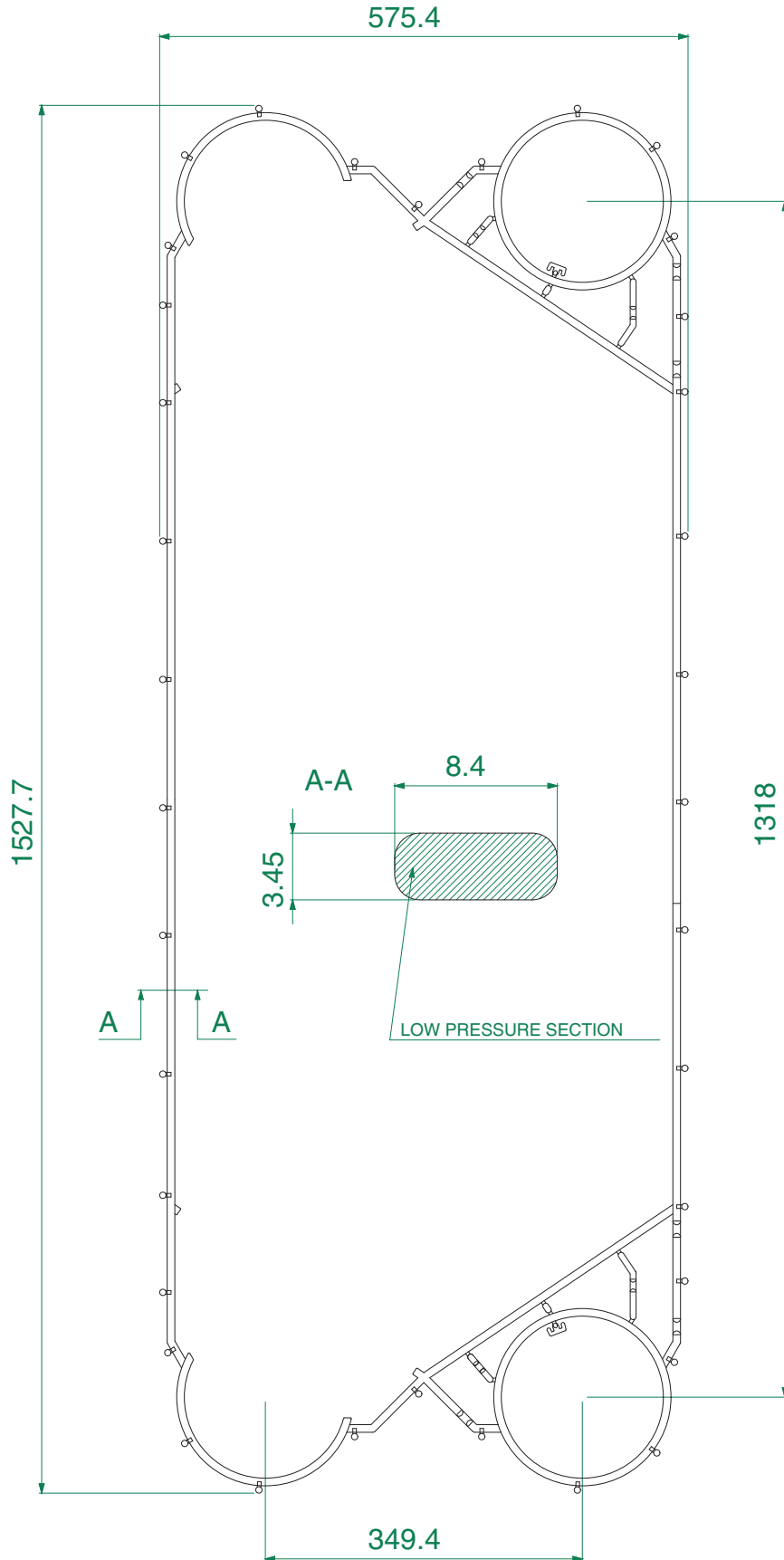
EXCHANGERS

ECHANGEURS

WÄRMEAUSTAUSCHER

INTERCAMBIADORES

Pos	Orobica Code	Model	Brand	Gasket Type	Q.ty
-	900.0211	A15B	ALFA LAVAL	SNAP-ON CHANNEL PLATE GASKET LOW PRESSURE SECTION	-



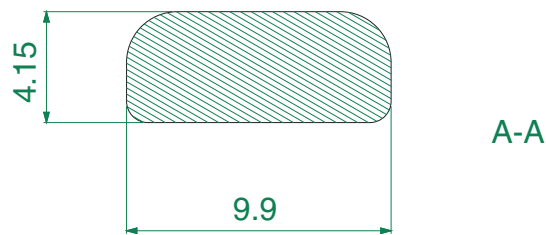
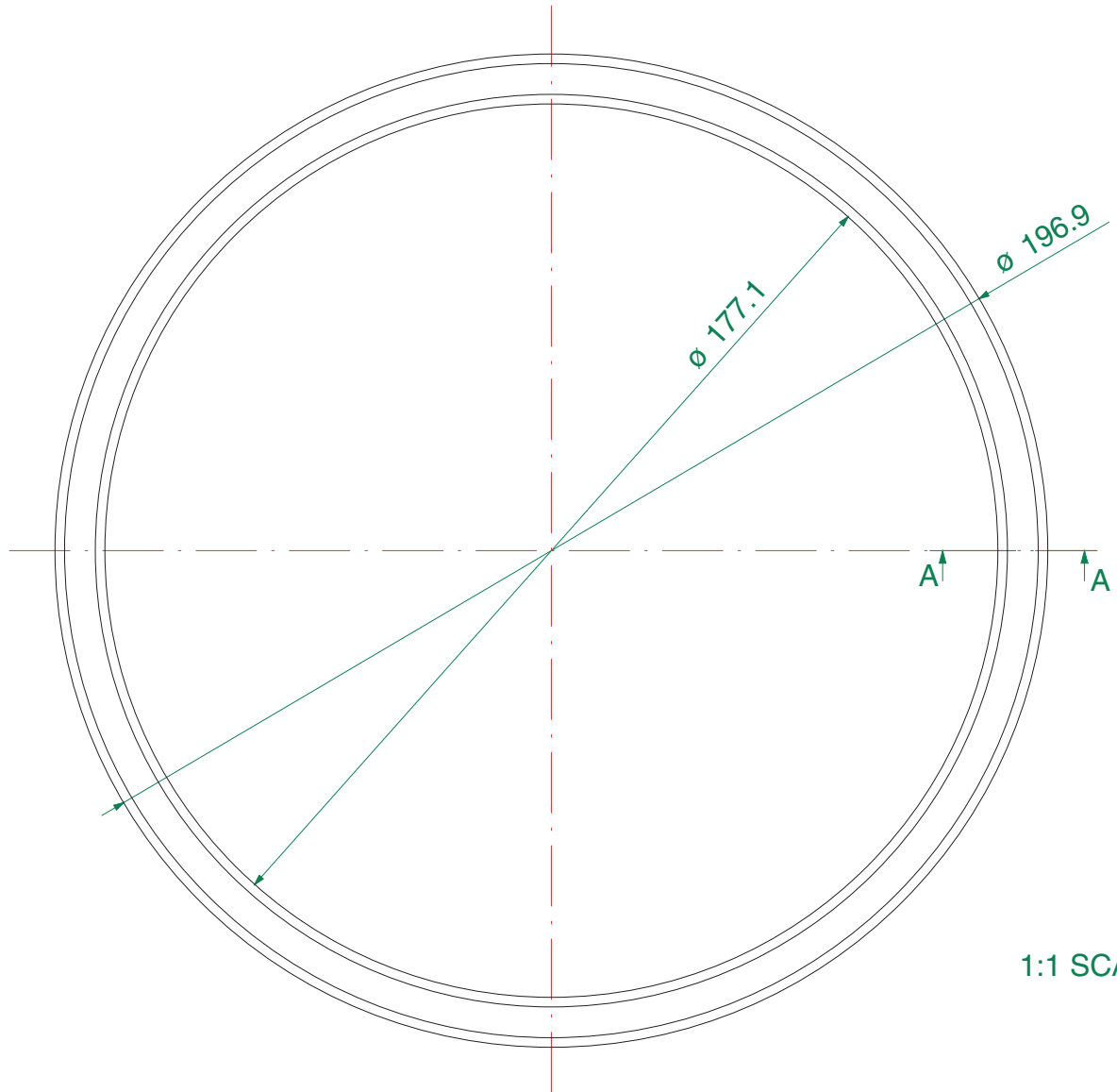
EXCHANGERS

ECHANGEURS

WÄRMEAUSTAUSCHER

INTERCAMBIADORES

Pos	Orobica Code	Model	Brand	Gasket Type	Q.ty
-	900.0213	A15B	ALFA LAVAL	PORT-RING A15B	-



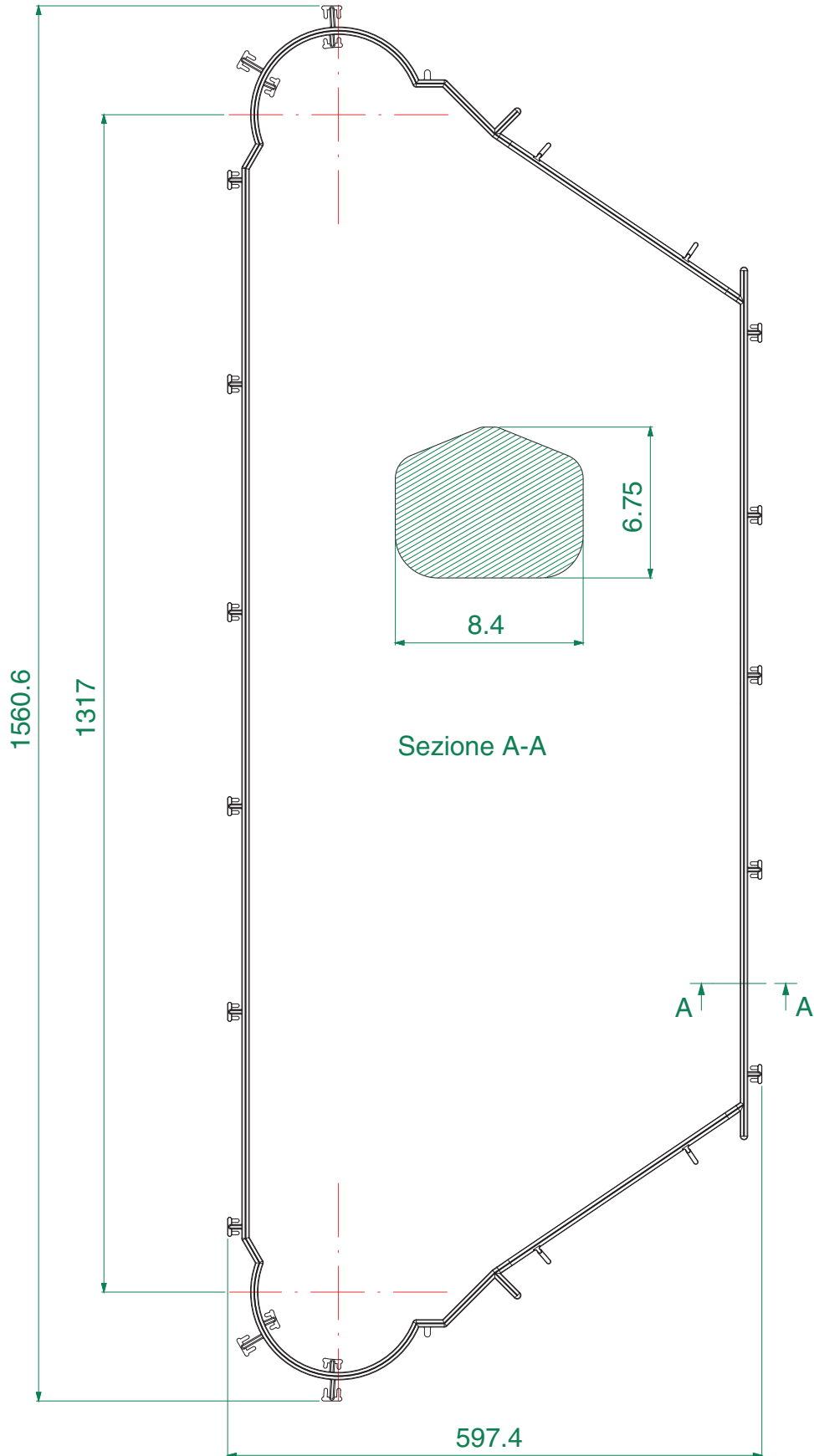
EXCHANGERS

ECHANGEURS

WÄRMEAUSTAUSCHER

INTERCAMBIADORES

Pos	Orobica Code	Model	Brand	Gasket Type	Q.ty
-	900.0406	A15 BW	ALFA LAVAL	FIELD GASKET CLIP-ON	-



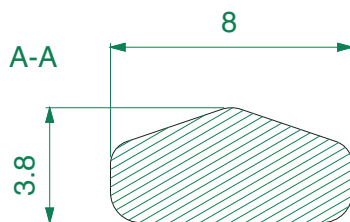
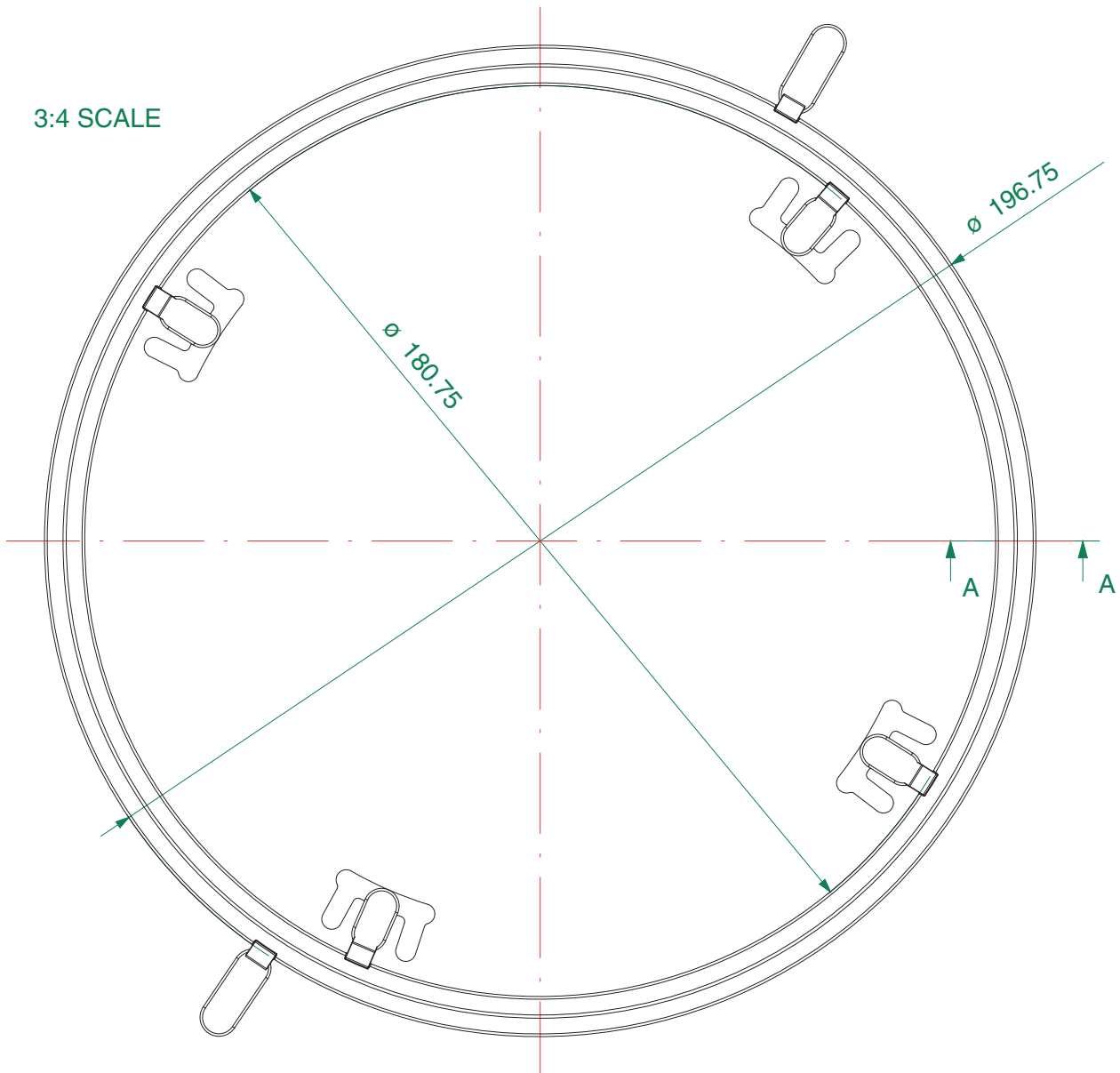
EXCHANGERS

ECHANGEURS

WÄRMEAUSTAUSCHER

INTERCAMBIADORES

Pos	Orobica Code	Model	Brand	Gasket Type	Q.ty
-	900.0383	A15BW	ALFA LAVAL	CLIP-ON RING GASKET	-



EXCHANGERS

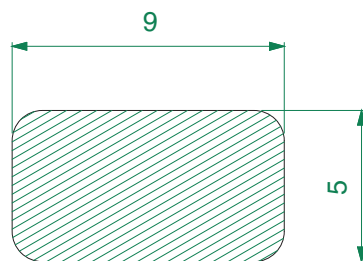
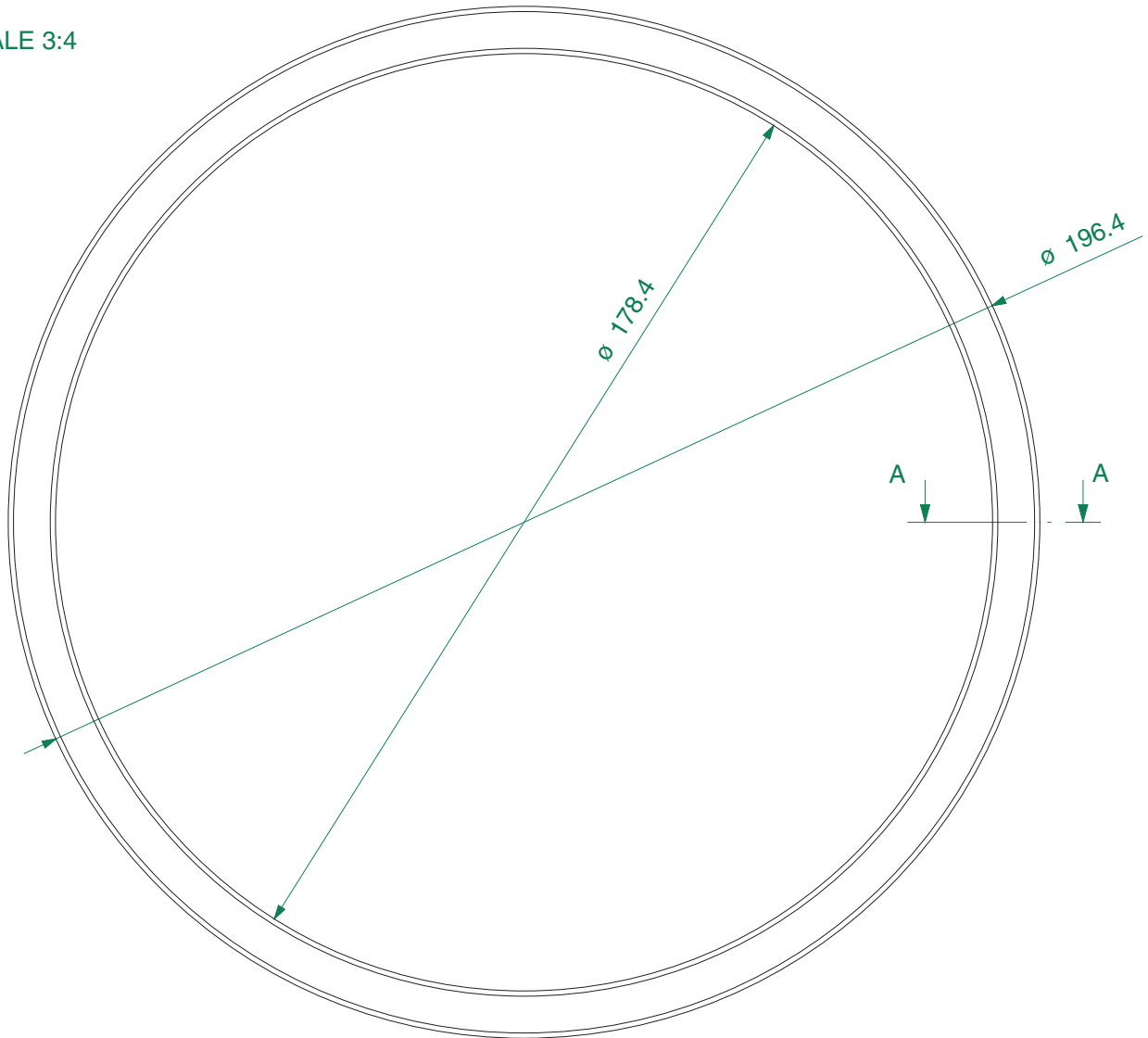
ECHANGEURS

WÄRMEAUSTAUSCHER

INTERCAMBIADORES

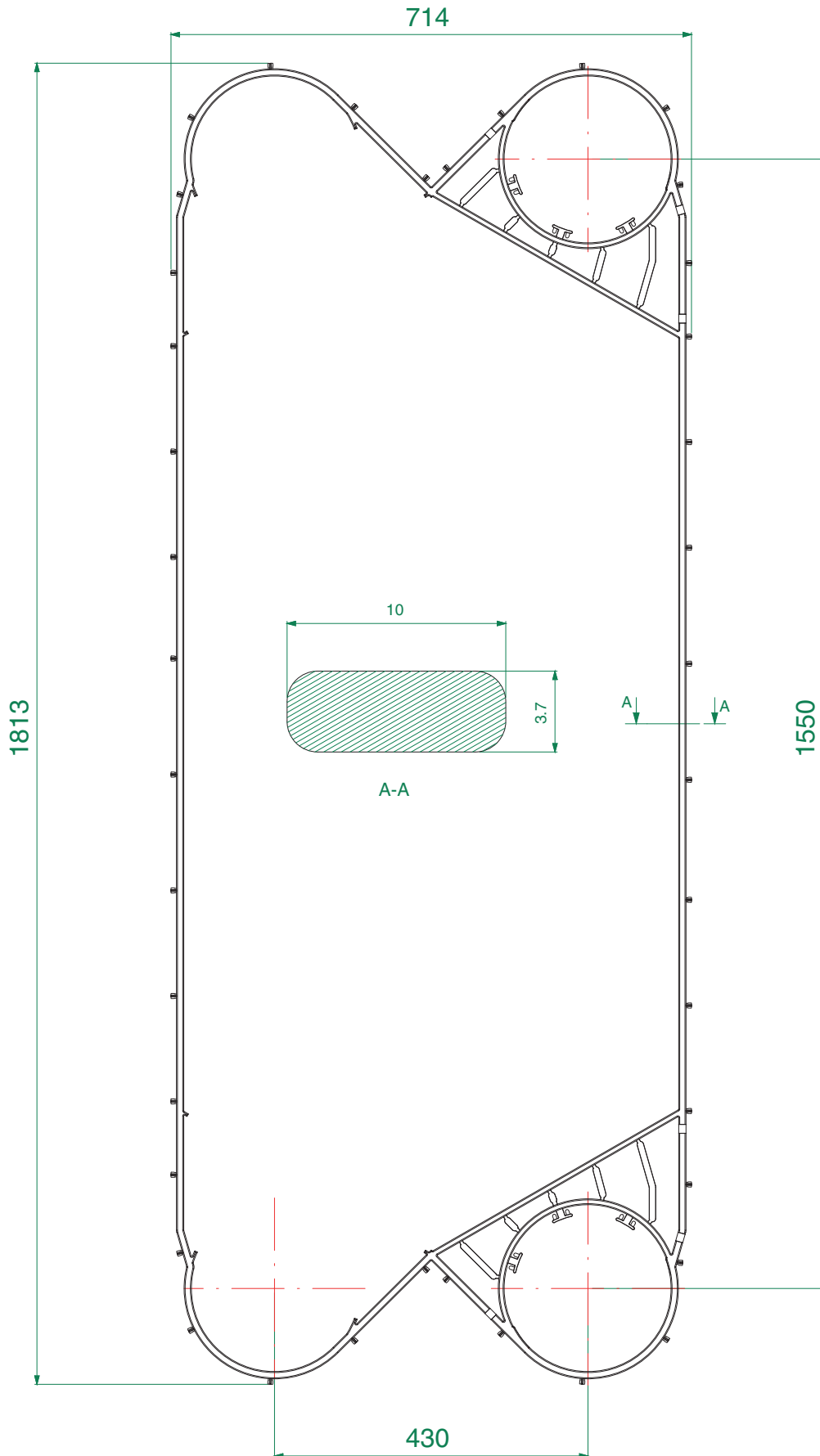
Pos	Orobica Code	Model	Brand	Gasket Type	Q.ty
-	900.0468	A15BW	ALFA LAVAL	Port-ring glued endgasket A15BW	-

SCALE 3:4

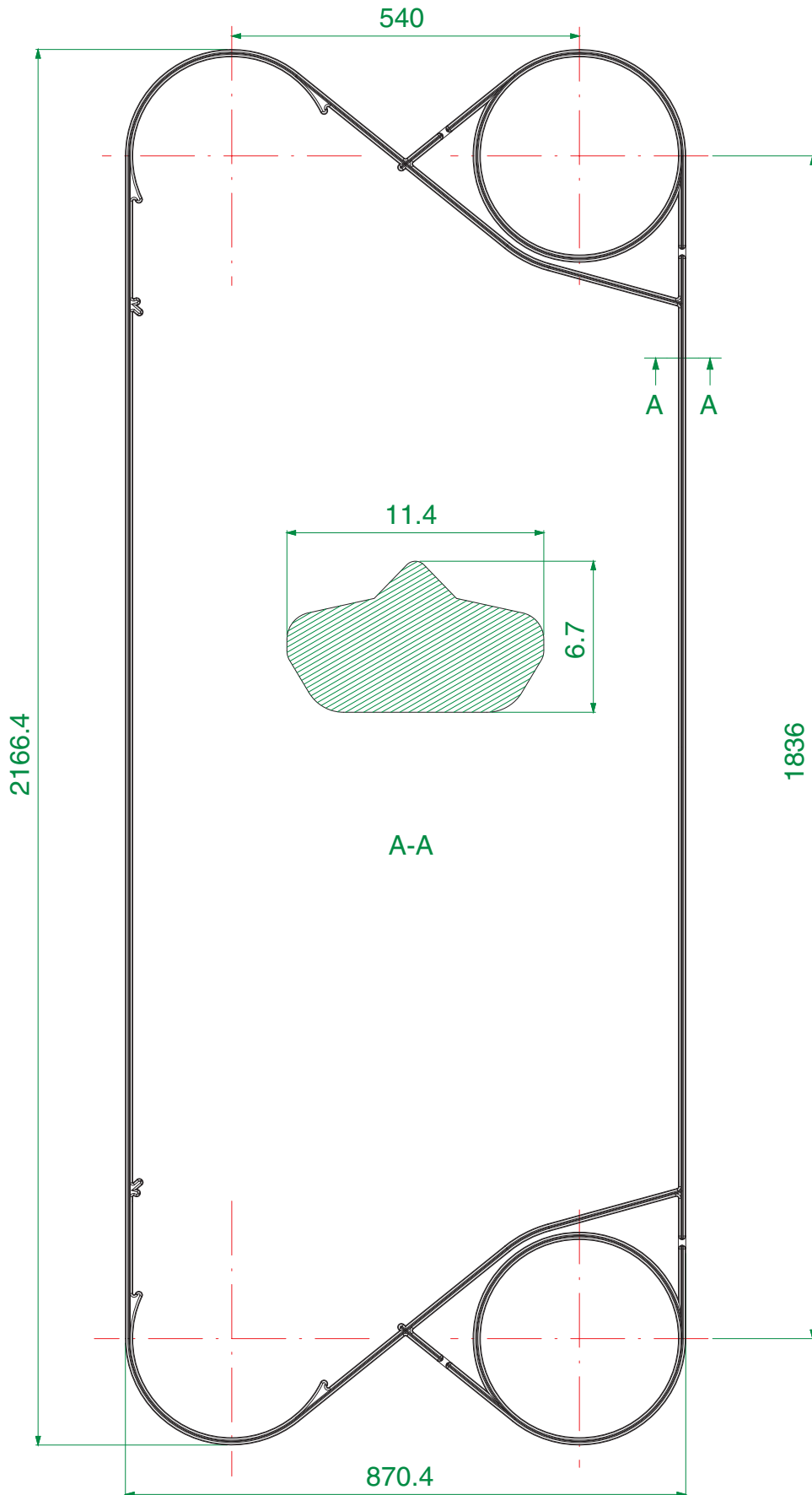


A-A

Pos	Orobica Code	Model	Brand	Gasket Type	Q.ty
-	900.0488	A20B	ALFA LAVAL	CHANNEL PLATE GASKET SNAP-ON	-



Pos	Orobica Code	Model	Brand	Gasket Type	Q.ty
-	900.0547	A30	ALFA LAVAL	FLOW GASKET GLUED	-



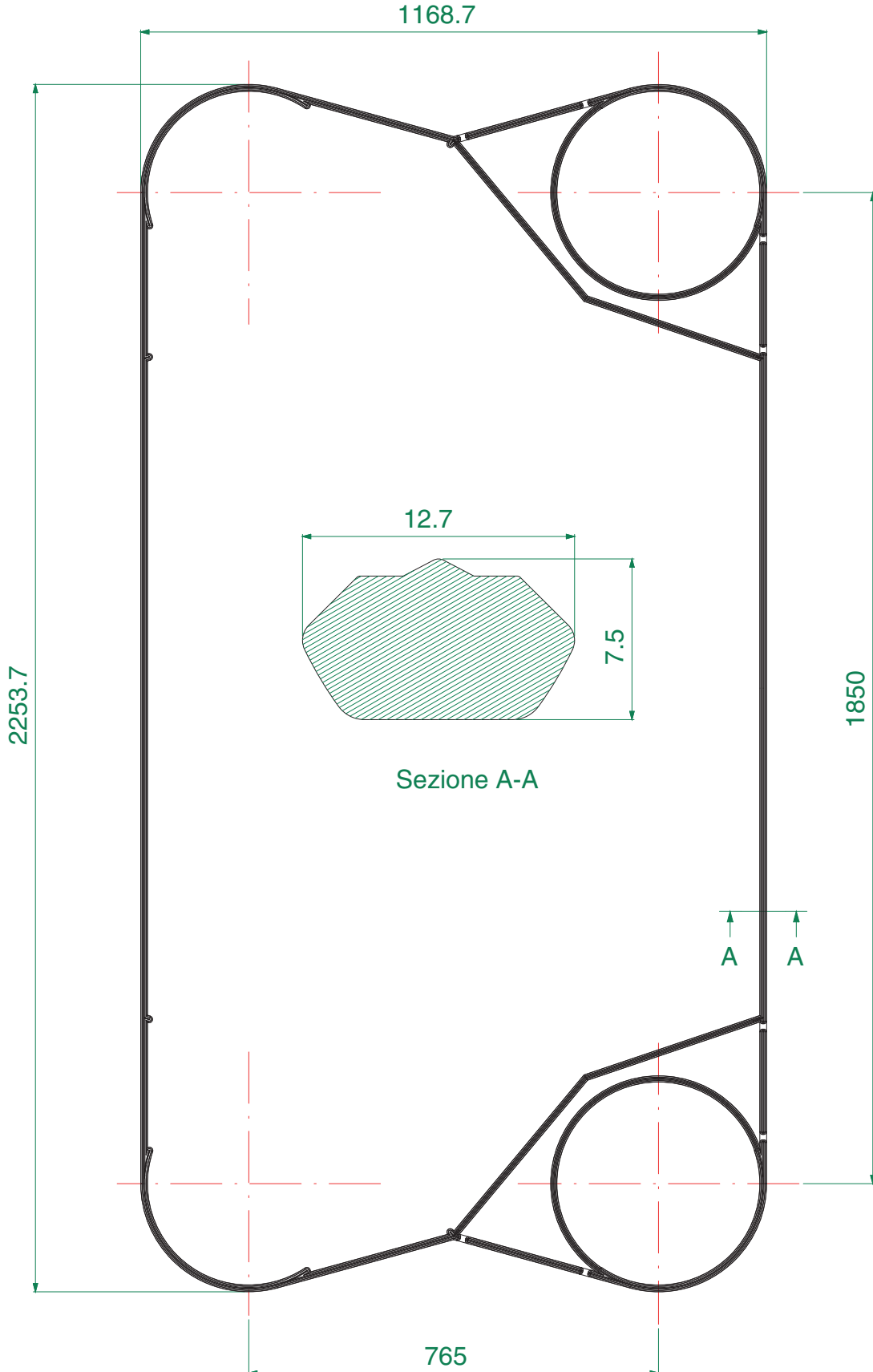
EXCHANGERS

ECHANGEURS

WÄRMEAUSTAUSCHER

INTERCAMBIADORES

Pos	Orobica Code	Model	Brand	Gasket Type	Q.ty
-	900.0465	A 35	ALFA LAVAL	FLOW GASKET GLUED	-



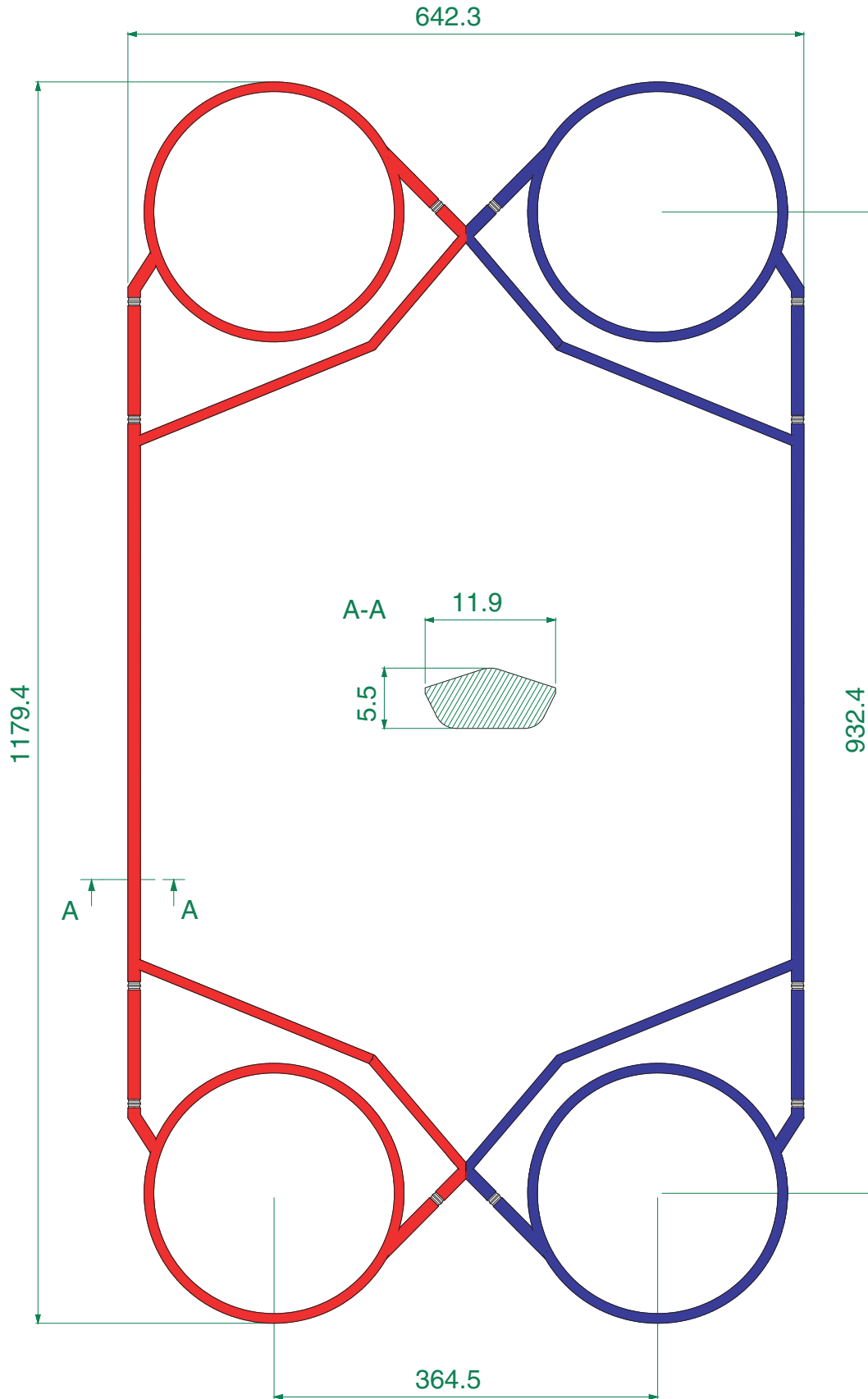
EXCHANGERS

ECHANGEURS

WÄRMEAUSTAUSCHER

INTERCAMBIADORES

Pos	Orobica Code	Model	Brand	Gasket Type	Q.ty
-	900.0389	AK20	ALFA LAVAL	END PLATE GASKET II SET	-



WE OBTAIN END PLATE GASKET II SET CUTTING
TWO CHANNEL PLATE GASKETS OUR CODE 900.0338

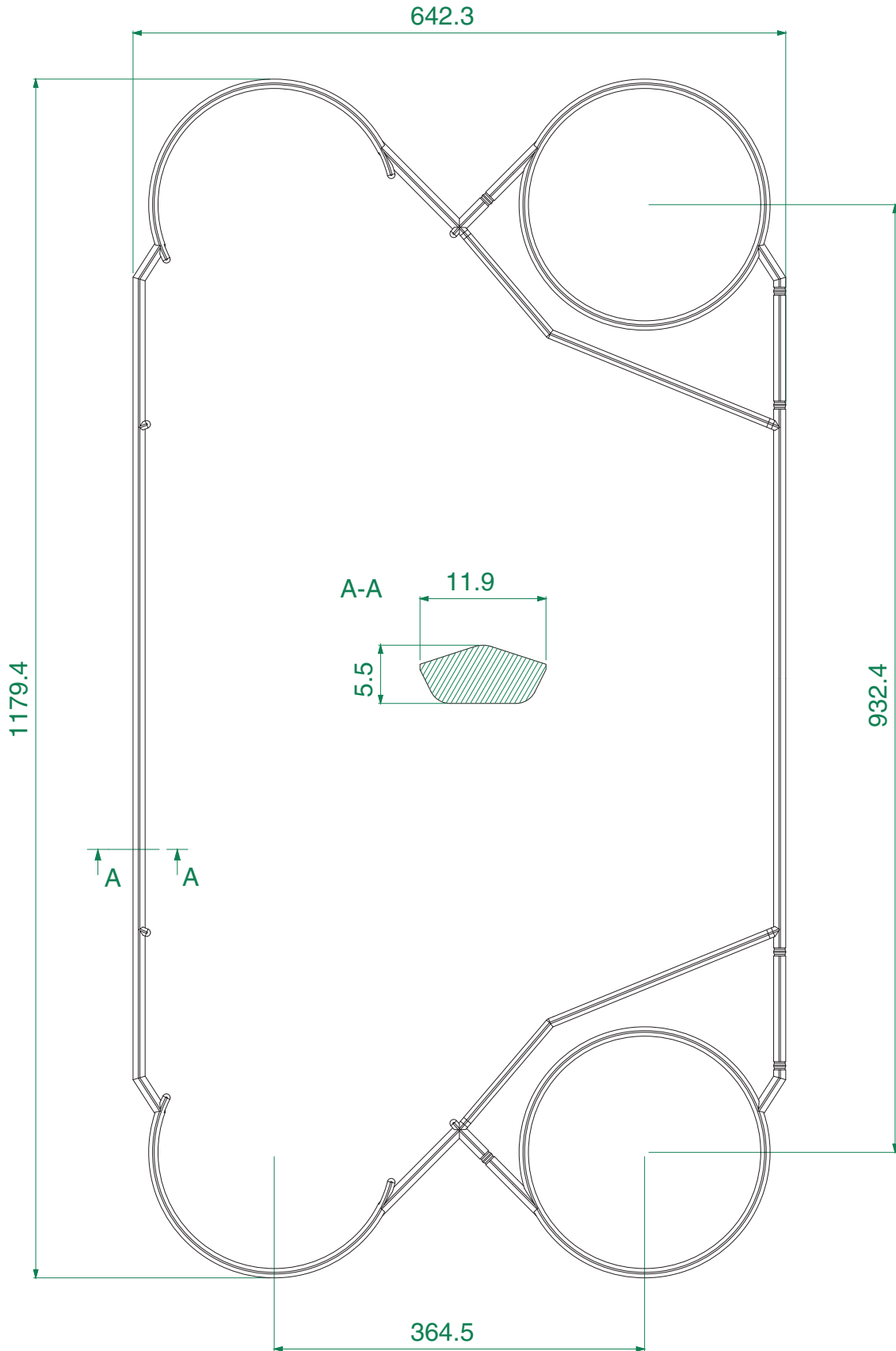
EXCHANGERS

ECHANGEURS

WÄRMEAUSTAUSCHER

INTERCAMBIADORES

Pos	Orobica Code	Model	Brand	Gasket Type	Q.ty
-	900.0338	AK20-T200	ALFA LAVAL	GLUED CHANNEL PLATE GASKET	-



EXCHANGERS

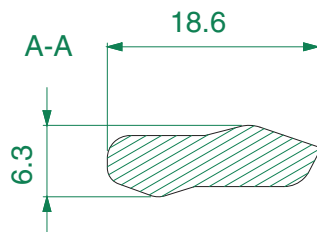
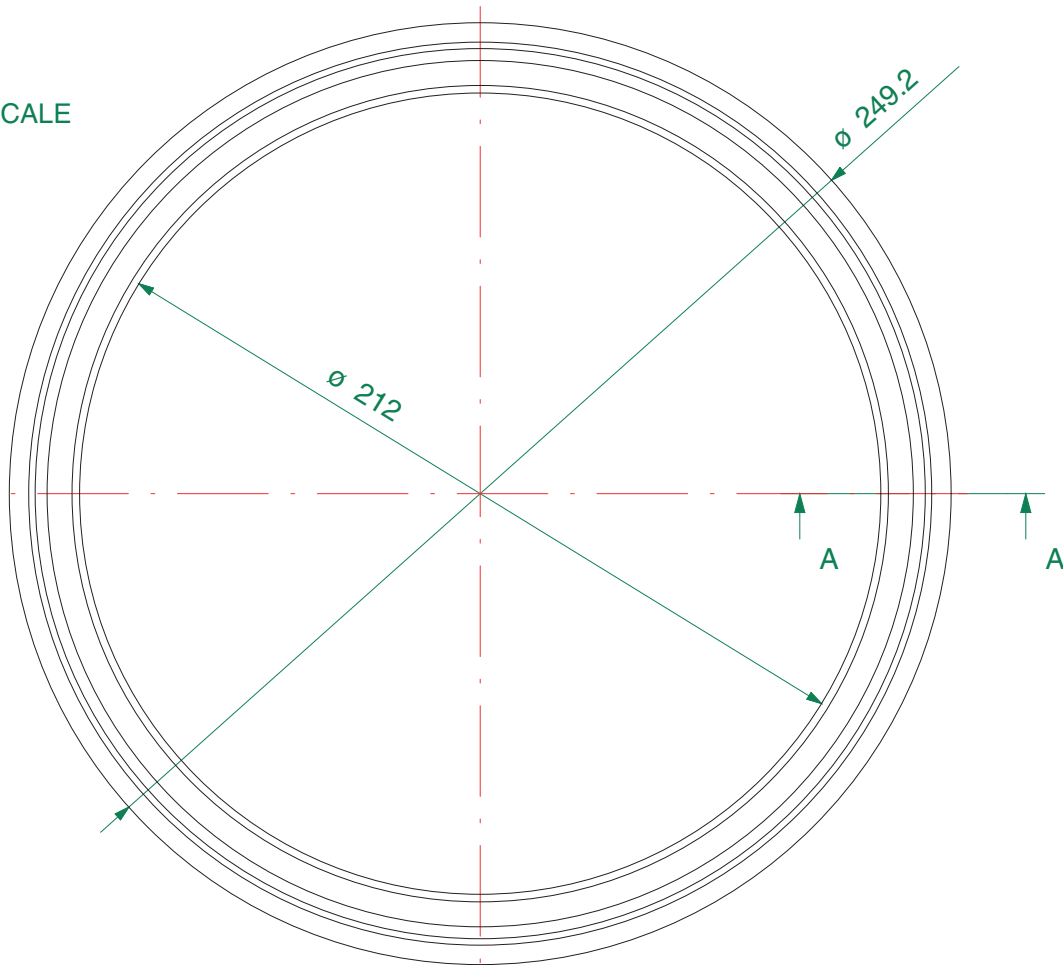
ECHANGEURS

WÄRMEAUSTAUSCHER

INTERCAMBIADORES

Pos	Orobica Code	Model	Brand	Gasket Type	Q.ty
-	900.0339	AK20-T200	ALFA LAVAL	RING GASKET	-

1:1 SCALE



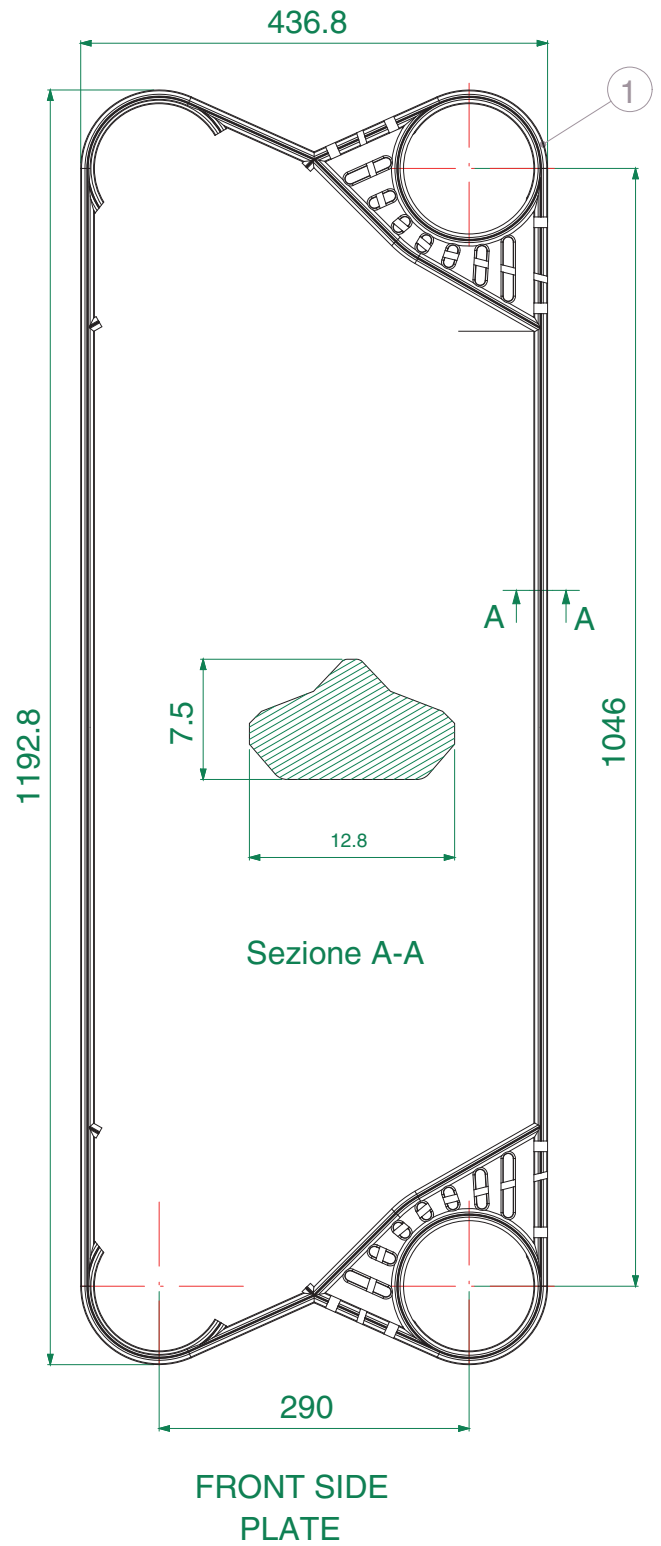
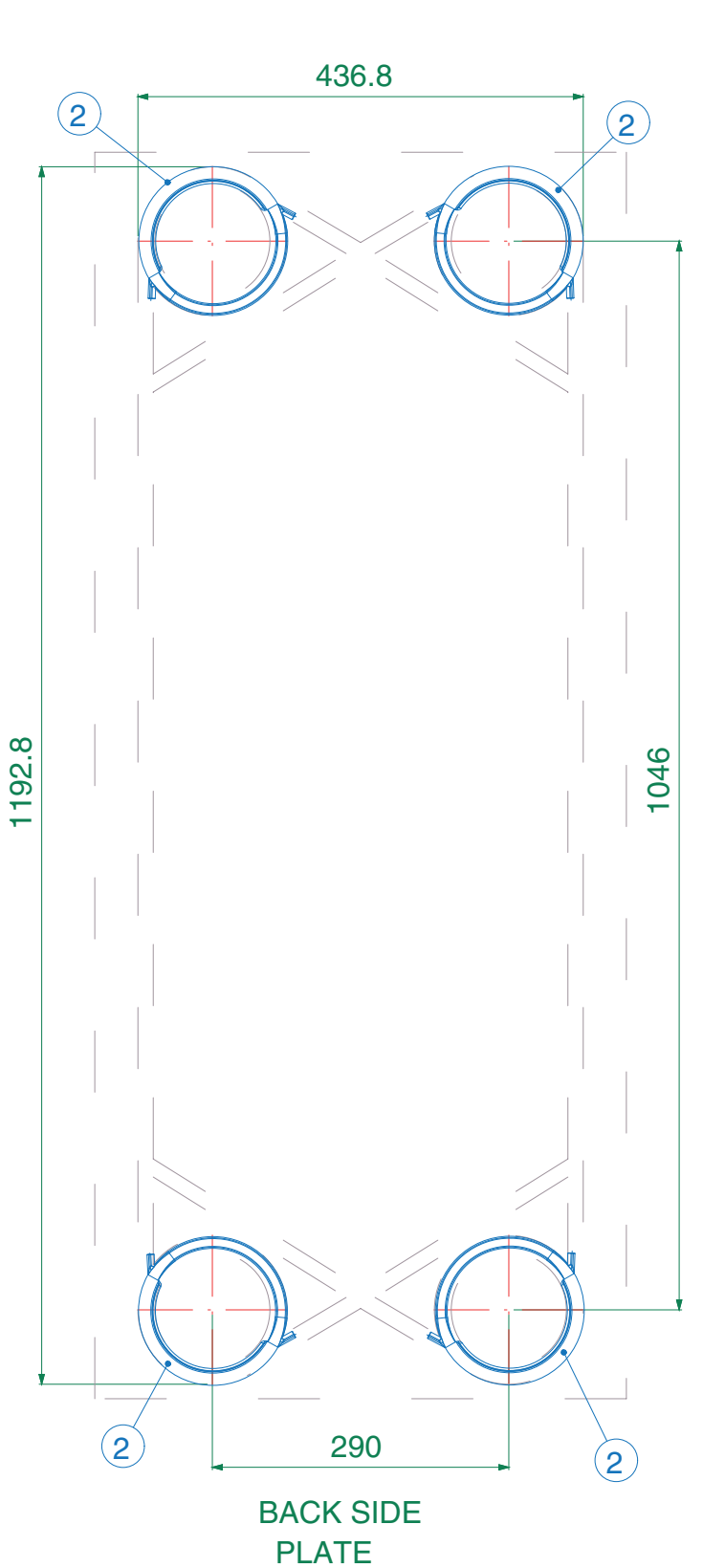
EXCHANGERS

ECHANGEURS

WÄRMEAUSTAUSCHER

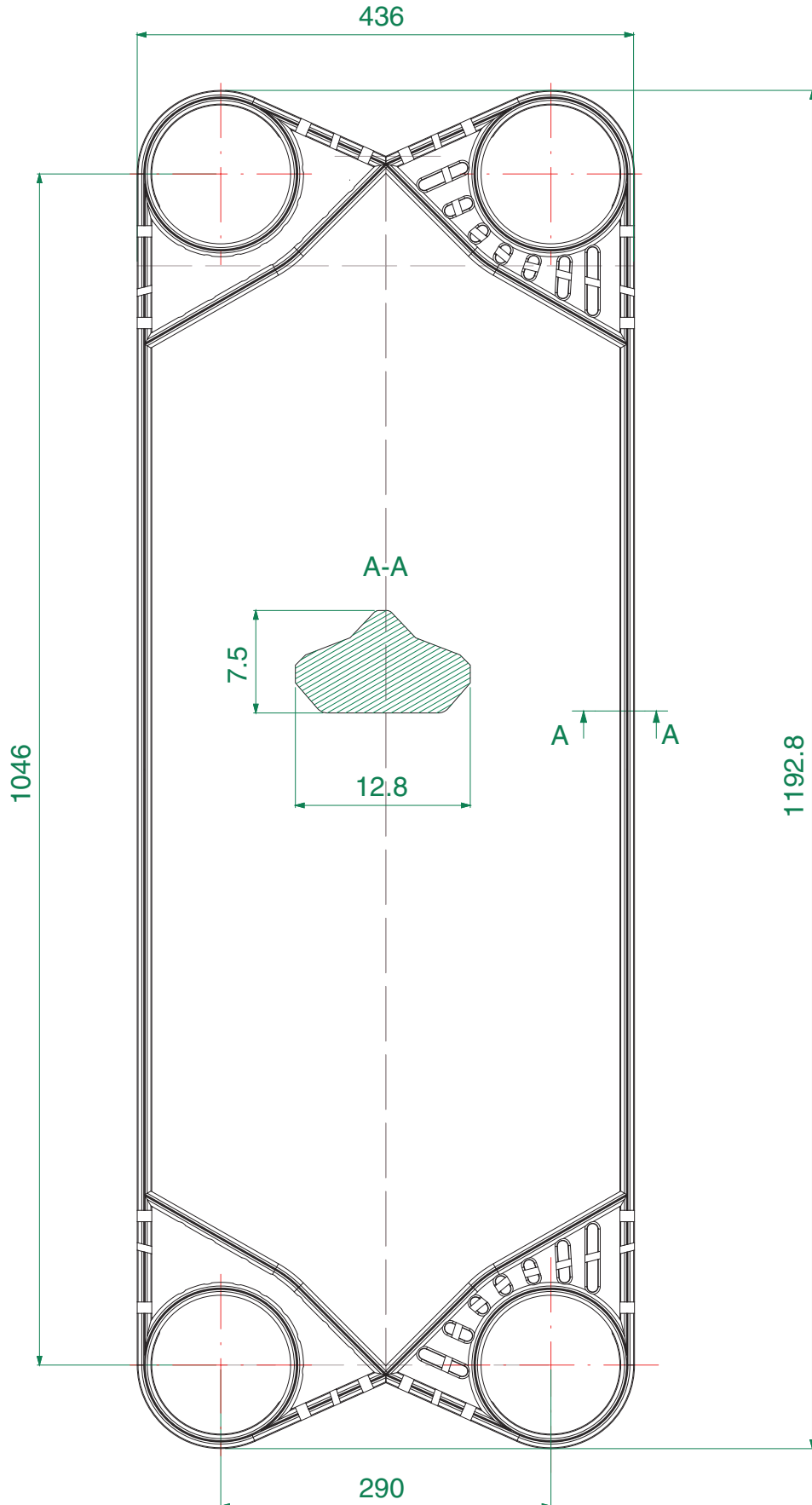
INTERCAMBIADORES

Pos	Orobica Code	Model	Brand	Gasket Type	Q.ty
1-3	900.0543	AM10 - AM10DW	ALFA LAVAL	END-PLATE I GASKET SET	-
1	900.0428	AM10 - AM10DW	ALFA LAVAL	CHANNEL PLATE GASKET	1
2	900.0516	AM10 - AM10DW	ALFA LAVAL	THIN PORT-RING	4

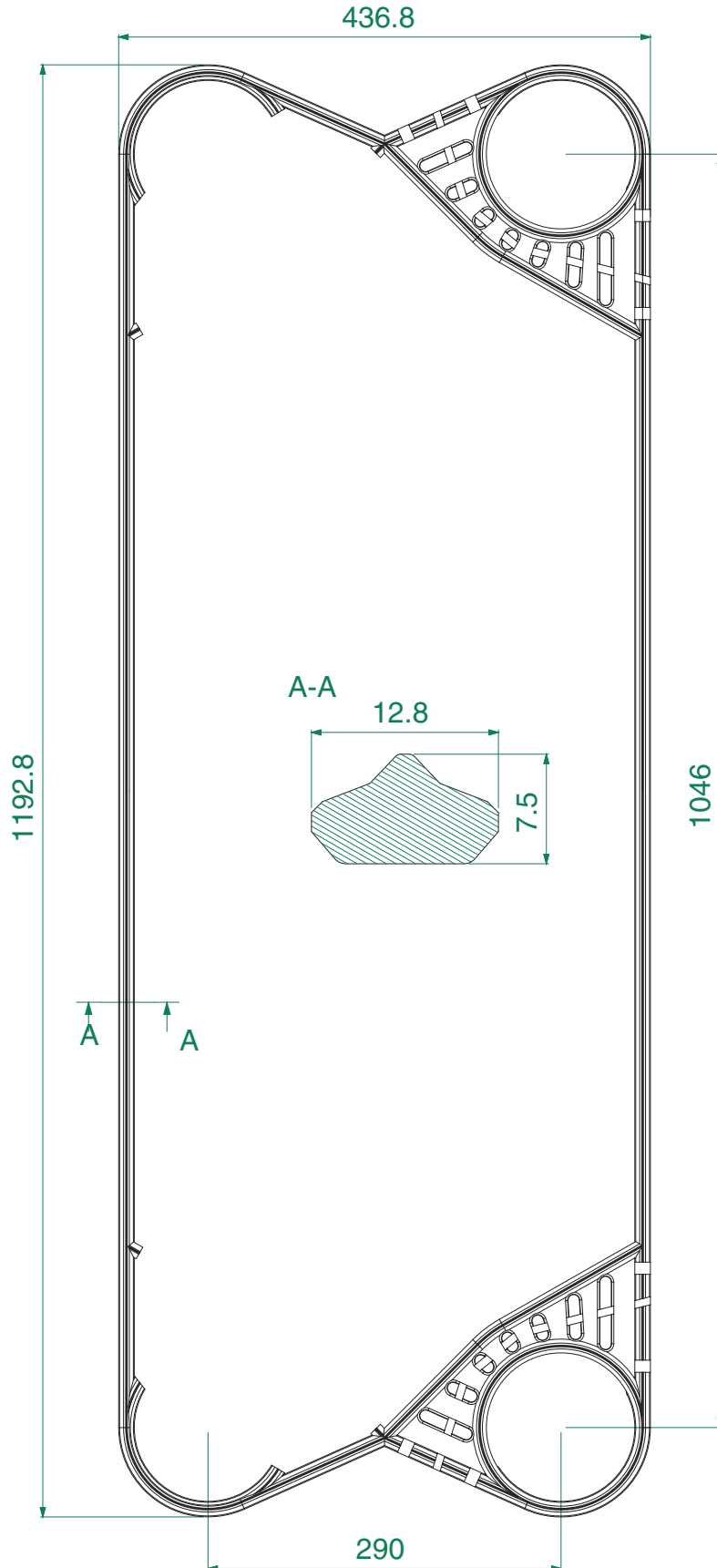


Pos	Orobica Code	Model	Brand	Gasket Type	Q.ty
-	900.0515	AM10	ALFA LAVAL	END PLATE GASKET II	-

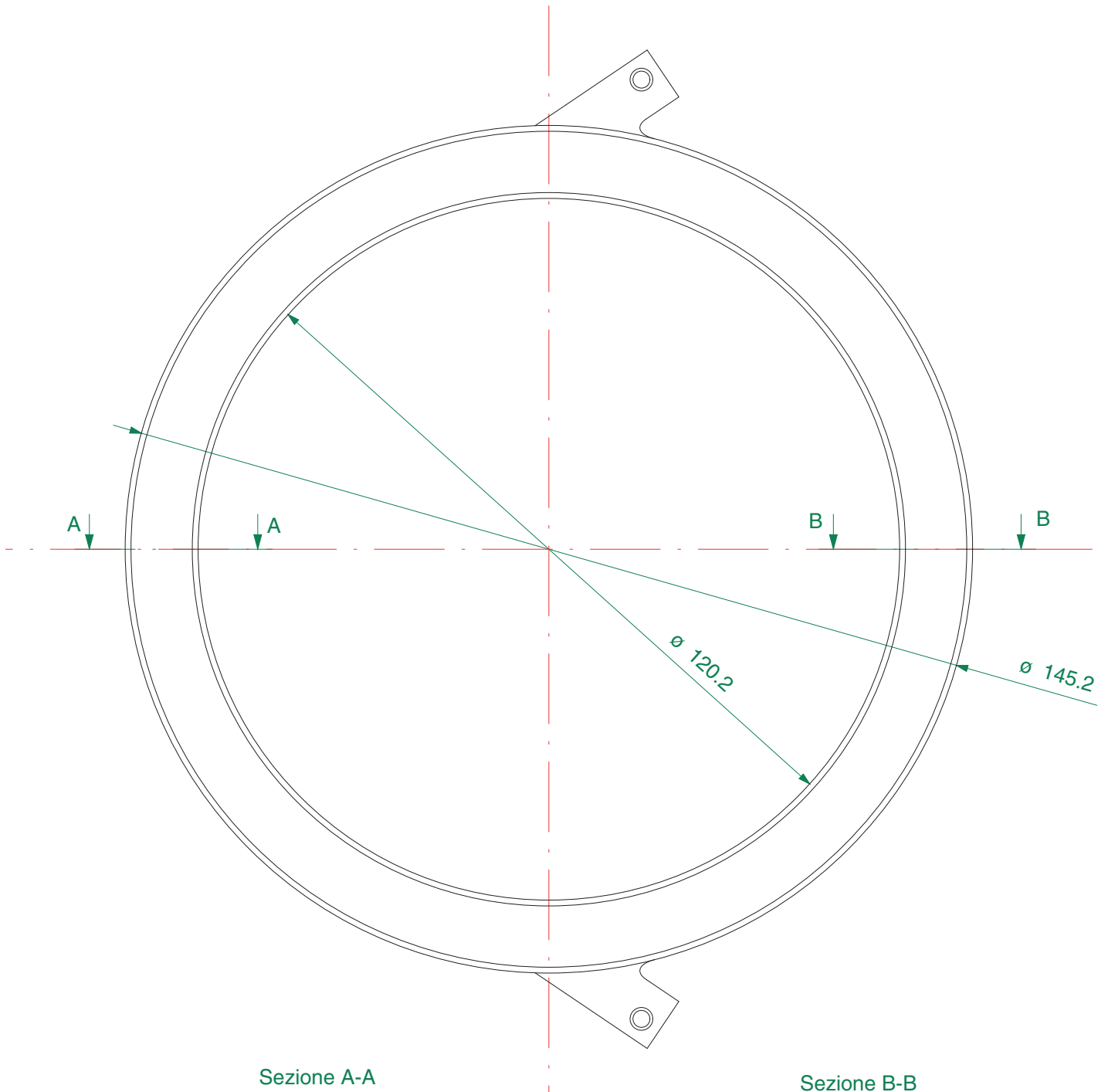
WE OBTAIN THE END GASKET CUTTING TWO FLOW GASKET
OUR CODE 900.0428



Pos	Orobica Code	Model	Brand	Gasket Type	Q.ty
-	900.0428	AM10	ALFA LAVAL	GLUED CHANNELPLATE FLOW GASKET	-

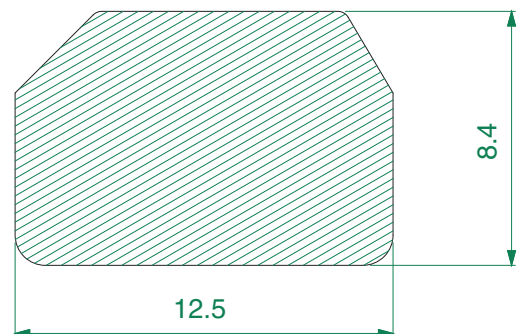
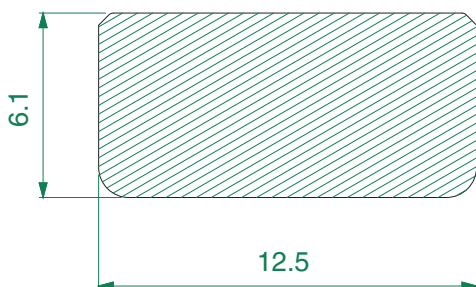


Pos	Orobica Code	Model	Brand	Gasket Type	Q.ty
-	900.0517	AM10	ALFA LAVAL	HIGH PORT-RING GASKET	-



Sezione A-A

Sezione B-B



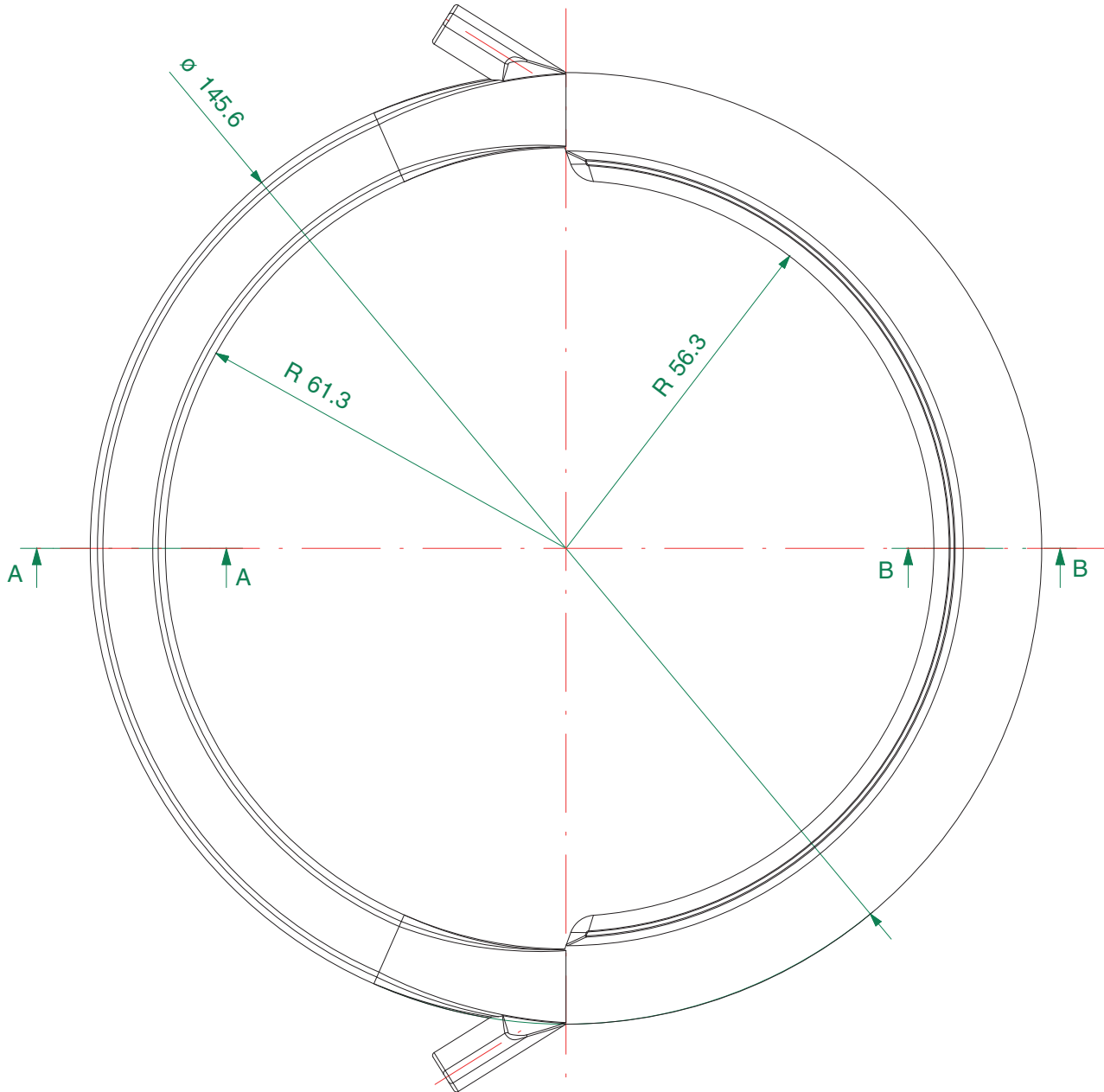
EXCHANGERS

ECHANGEURS

WÄRMEAUSTAUSCHER

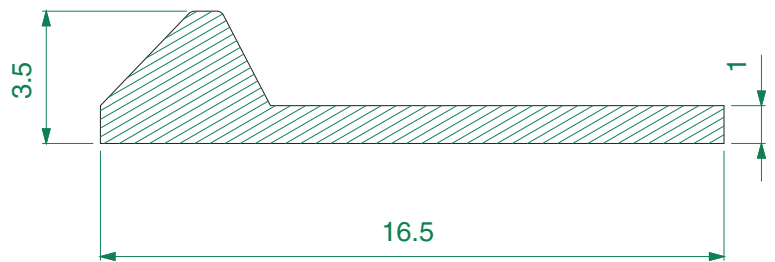
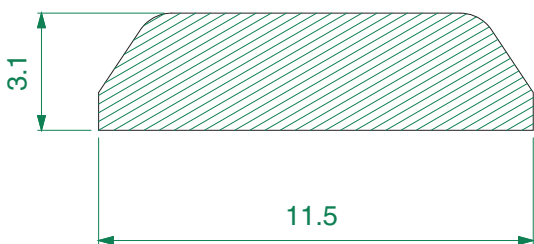
INTERCAMBIADORES

Pos	Orobica Code	Model	Brand	Gasket Type	Q.ty
-	900.0516	AM10	ALFA LAVAL	LOW PORT-RING GASKET	-



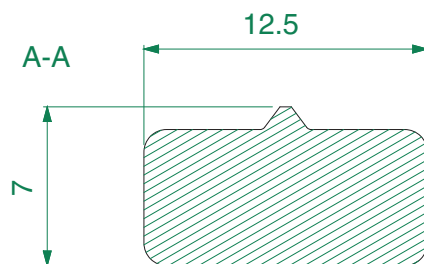
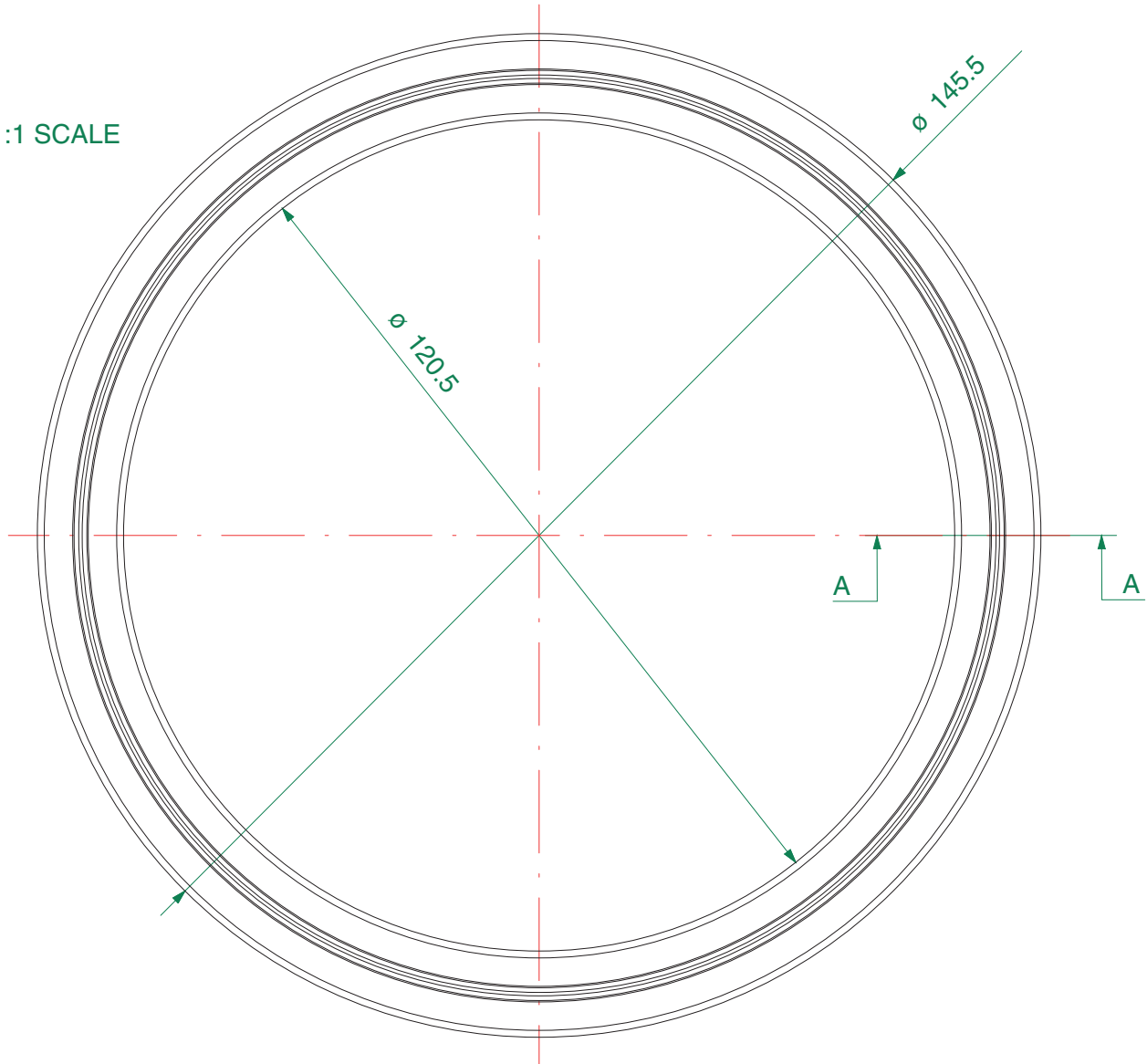
Sezione A-A

Sezione B-B



Pos	Orobica Code	Model	Brand	Gasket Type	Q.ty
-	900.0045	H10-CLIP10-AM10	ALFA LAVAL	PORT RING GASKET H=7,0	-

1:1 SCALE



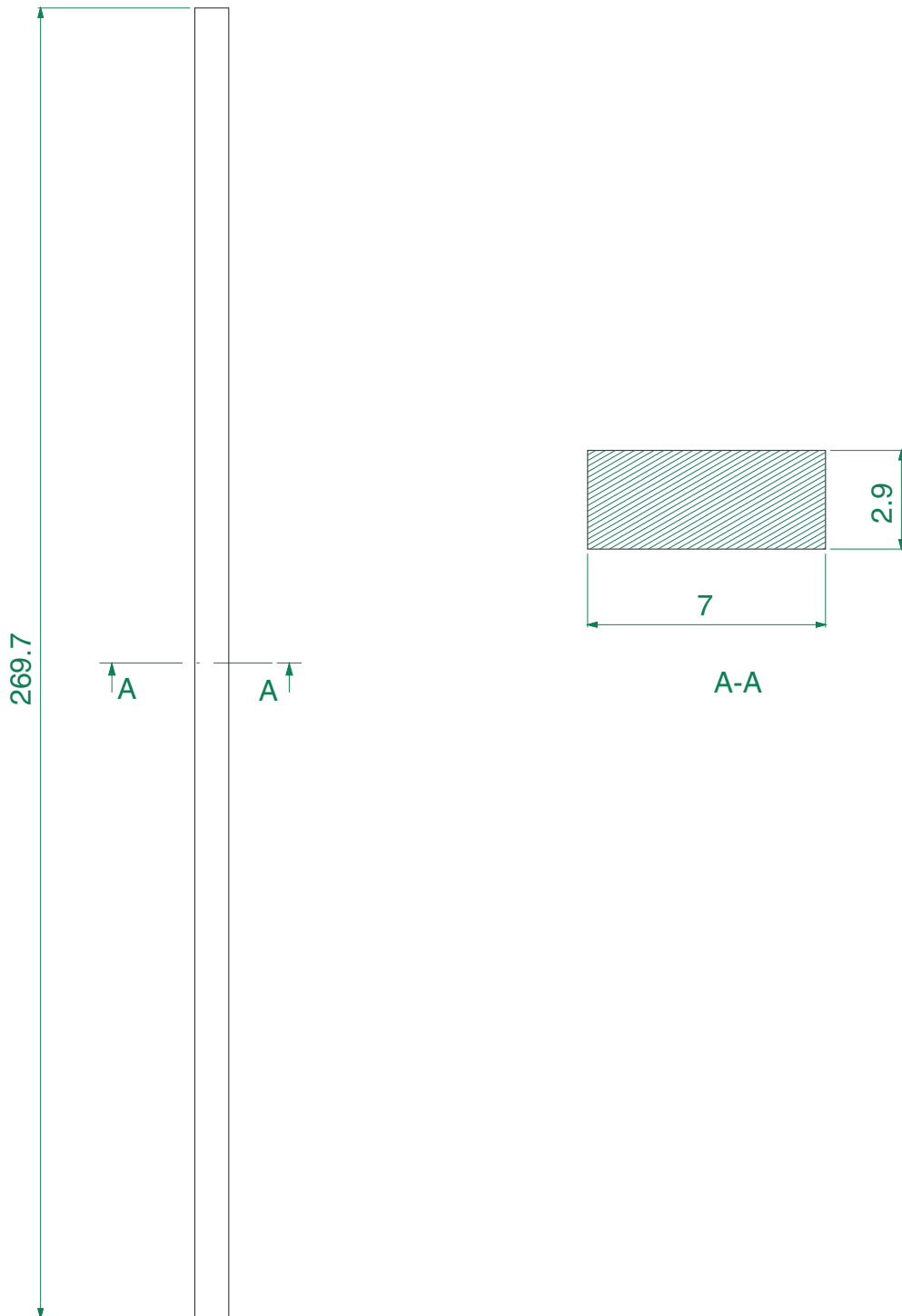
EXCHANGERS

ECHANGEURS

WÄRMEAUSTAUSCHER

INTERCAMBIADORES

Pos	Orobica Code	Model	Brand	Gasket Type	Q.ty
-	900.0504	AM20-AM20DW	ALFA LAVAL	SUPPORT CONNECTION	-



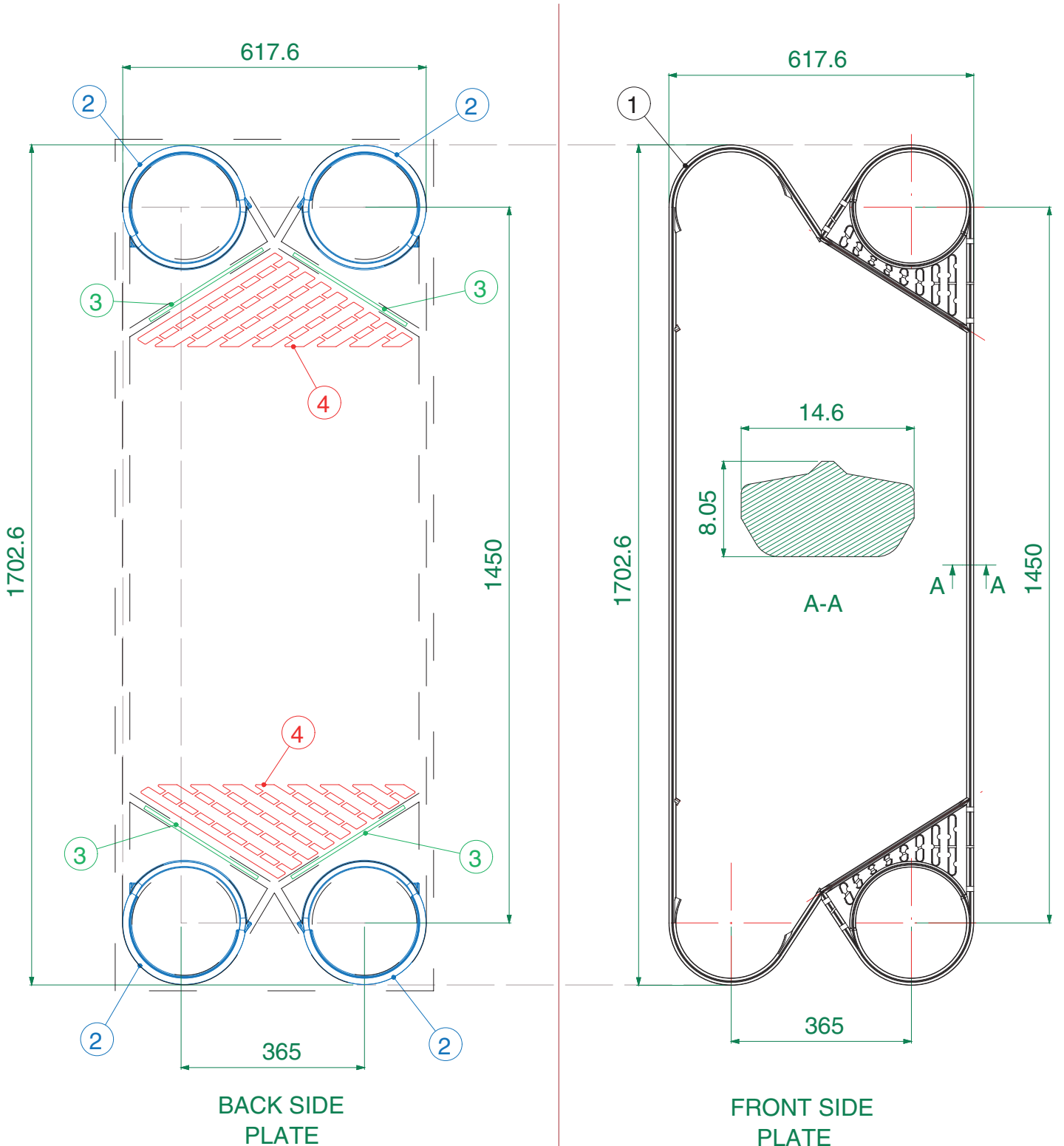
EXCHANGERS

ECHANGEURS

WÄRMEAUSTAUSCHER

INTERCAMBIADORES

Pos	Orobica Code	Model	Brand	Gasket Type	Q.ty
1-4	900.0502	AM20 - AM20DW	ALFA LAVAL	END-PLATE I GASKET SET	-
1	900.0444	AM20 - AM20DW	ALFA LAVAL	CHANNEL PLATE GASKET	1
2	900.0503	AM20 - AM20DW	ALFA LAVAL	STEPPED GASKET	4
3	900.0504	AM20 - AM20 DW	ALFA LAVAL	SUPPORT CONNECTION	4
4	900.0505	AM20 - AM20 DW	ALFA LAVAL	SUPPORT TRIANGLE	2



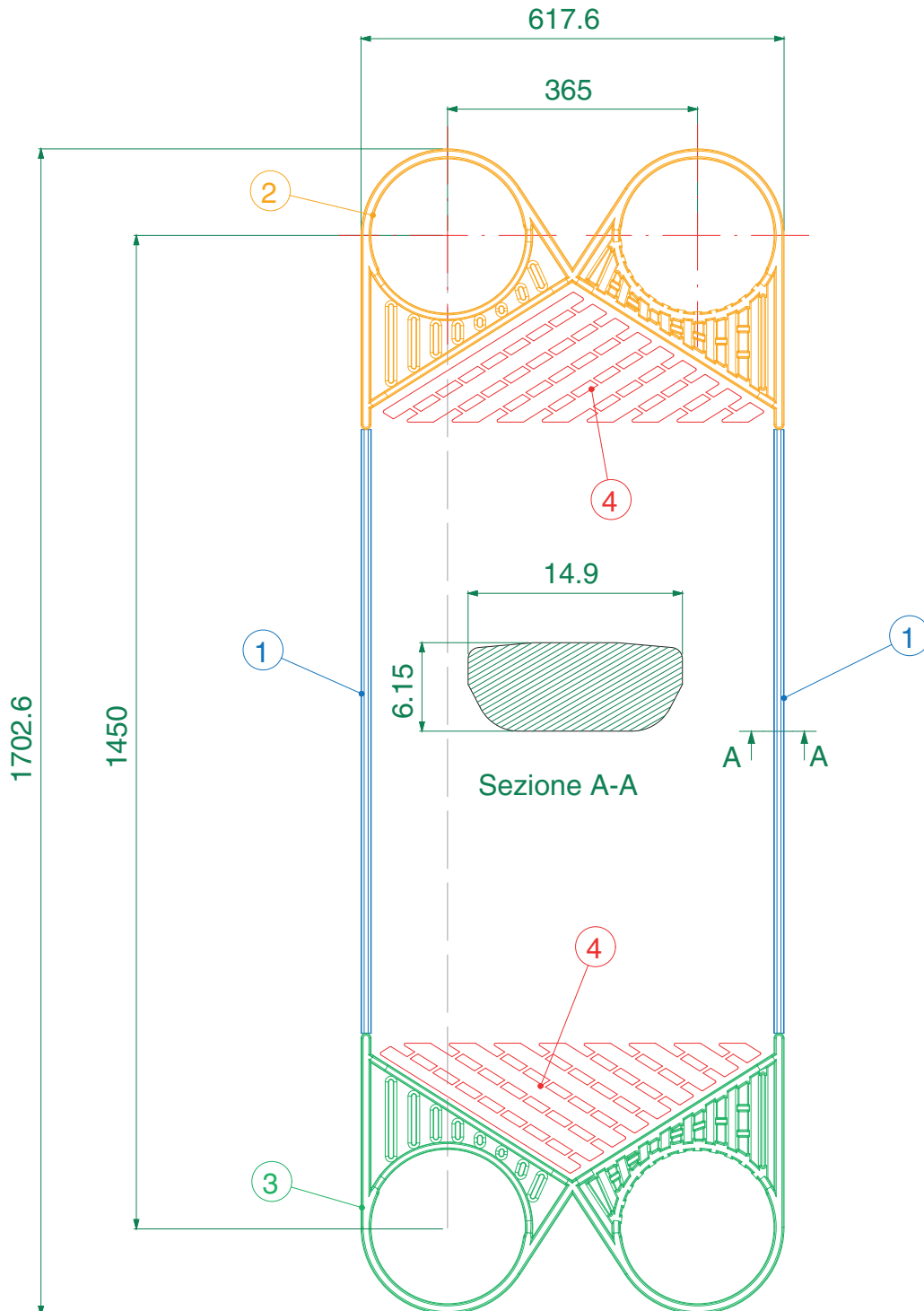
EXCHANGERS

ECHANGEURS

WÄRMEAUSTAUSCHER

INTERCAMBIADORES

Pos	Orobica Code	Model	Brand	Gasket Type	Q.ty
1-4	900.0506	AM20-AM20DW	ALFA LAVAL	END-PLATE II GASKET SET	-
1	900.0507	AM20-AM20DW	ALFA LAVAL	SUPPORT STRIP	2
2	900.0508	AM20-AM20DW	ALFA LAVAL	GASKET HEAD I	1
3	900.0509	AM20-AM20DW	ALFA LAVAL	GASKET HEAD II	1
4	900.0505	AM20-AM20DW	ALFA LAVAL	SUPPORT TRIANGLE	2



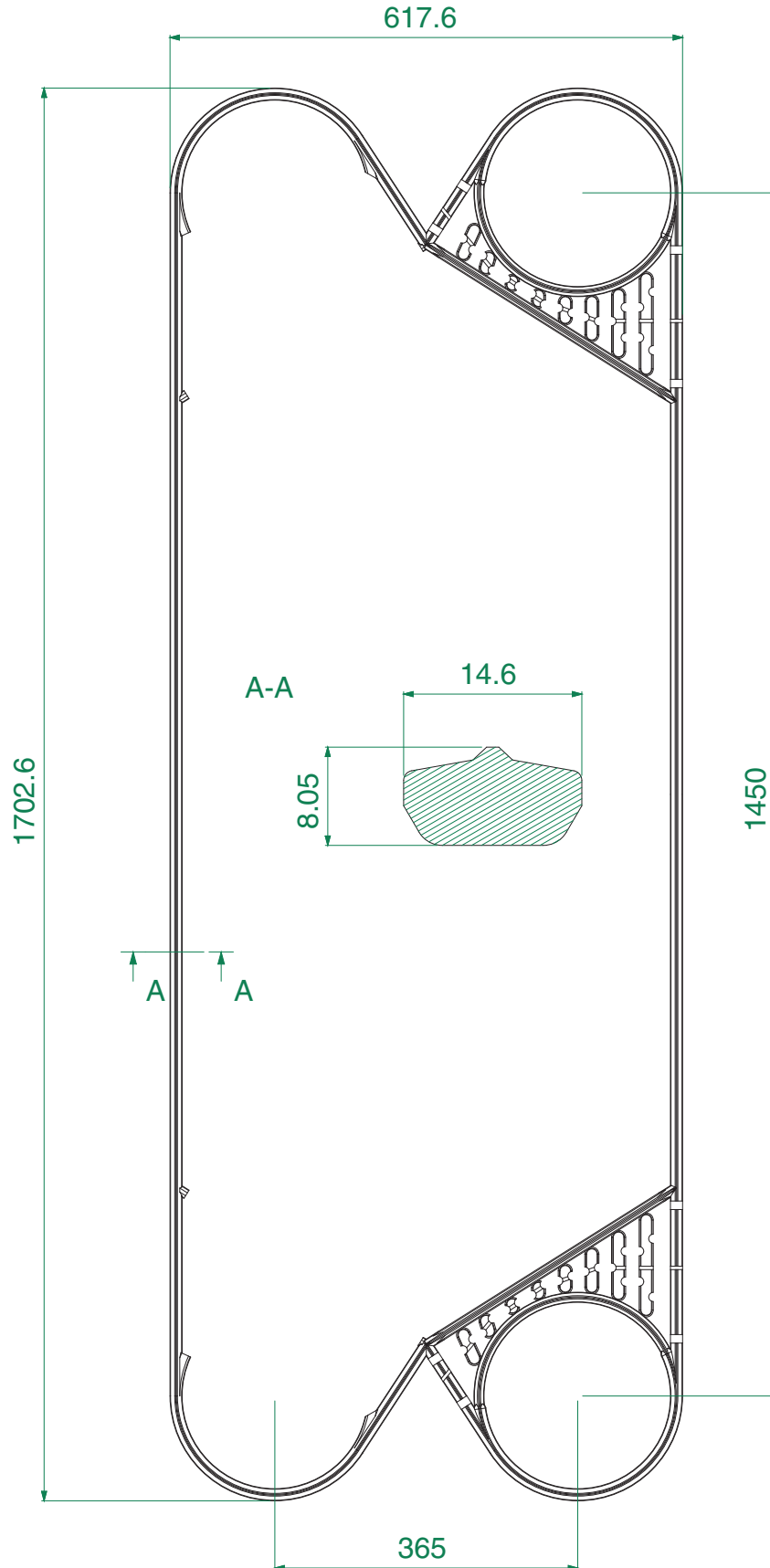
EXCHANGERS

ECHANGEURS

WÄRMEAUSTAUSCHER

INTERCAMBIADORES

Pos	Orobica Code	Model	Brand	Gasket Type	Q.ty
-	900.0444	AM20	ALFA LAVAL	CHANNEL PLATE GASKET	-



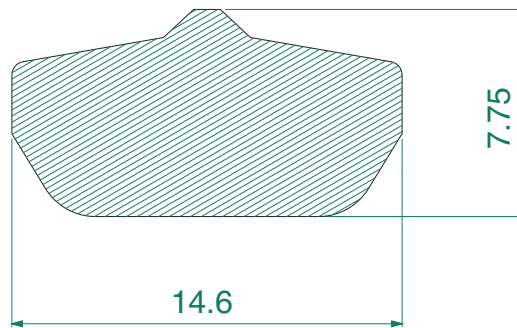
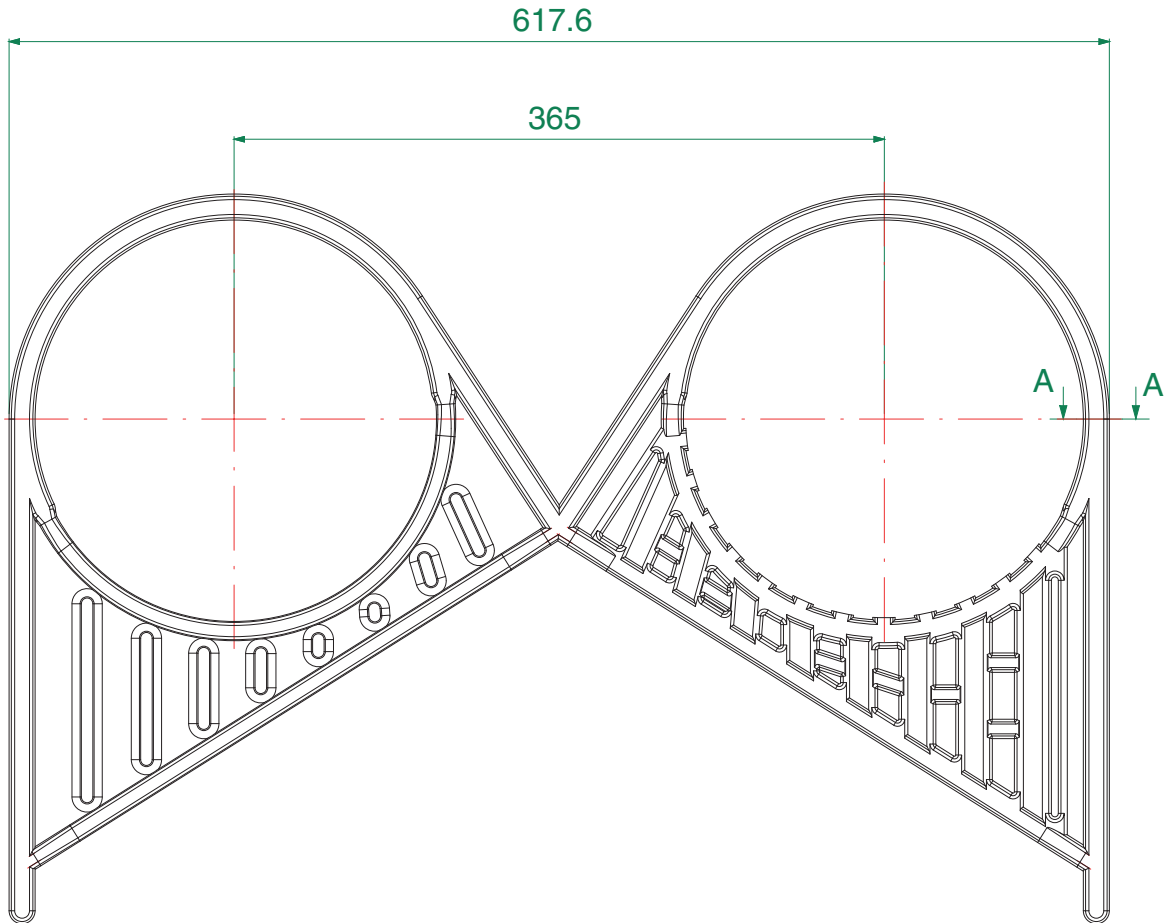
EXCHANGERS

ECHANGEURS

WÄRMEAUSTAUSCHER

INTERCAMBIADORES

Pos	Orobica Code	Model	Brand	Gasket Type	Q.ty
-	900.0508	AM20-AM20DW	ALFA LAVAL	GASKET HEAD I	-



A-A

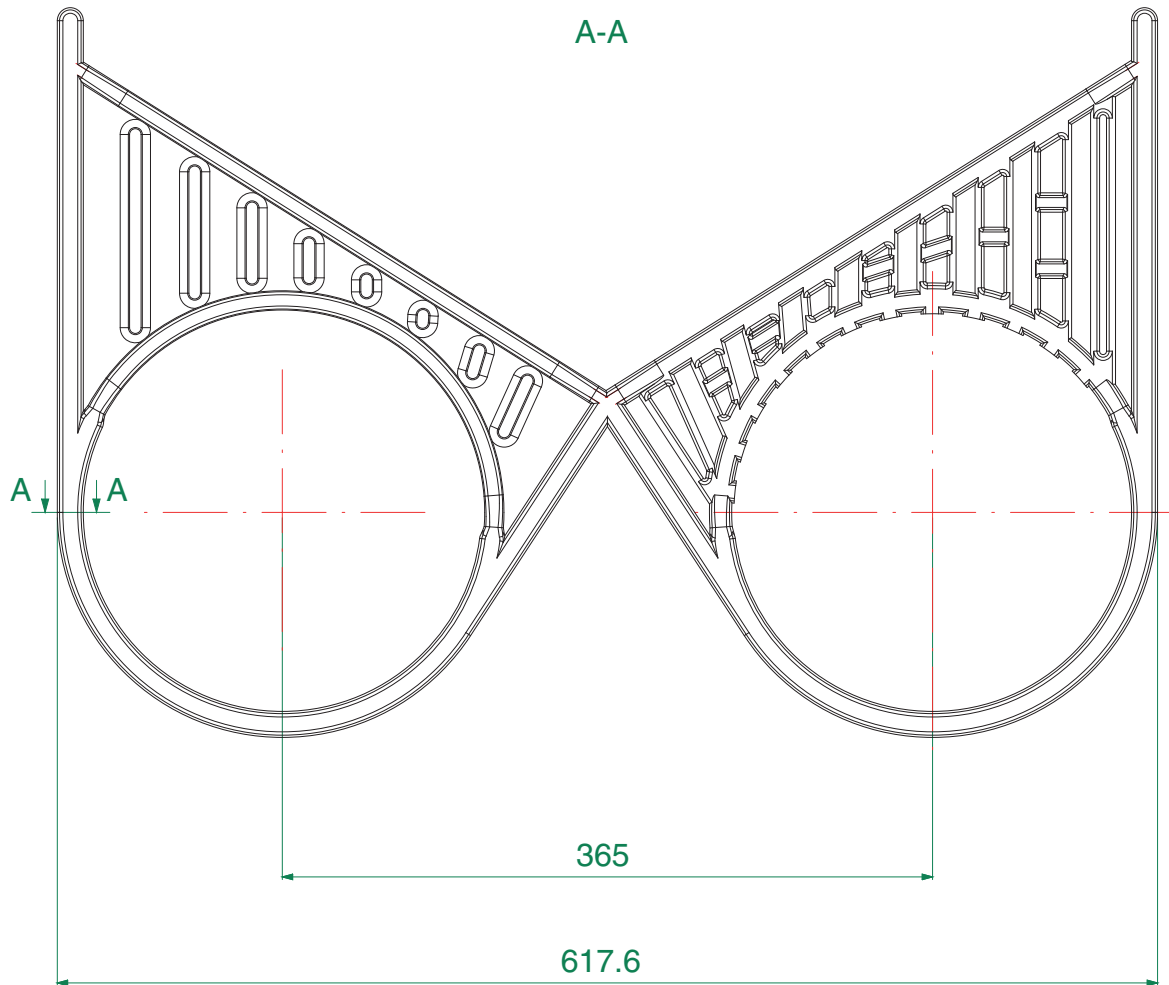
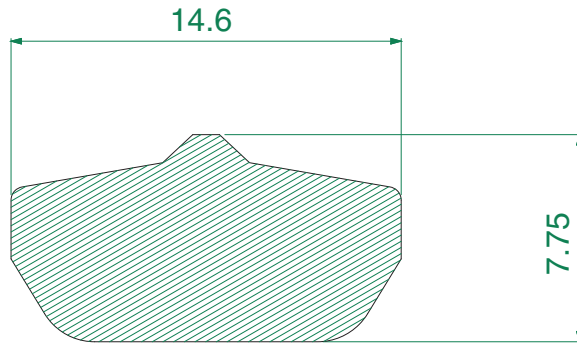
EXCHANGERS

ECHANGEURS

WÄRMEAUSTAUSCHER

INTERCAMBIADORES

Pos	Orobica Code	Model	Brand	Gasket Type	Q.ty
-	900.0509	AM20-AM20DW	ALFA LAVAL	GASKET HEAD II	-



EXCHANGERS

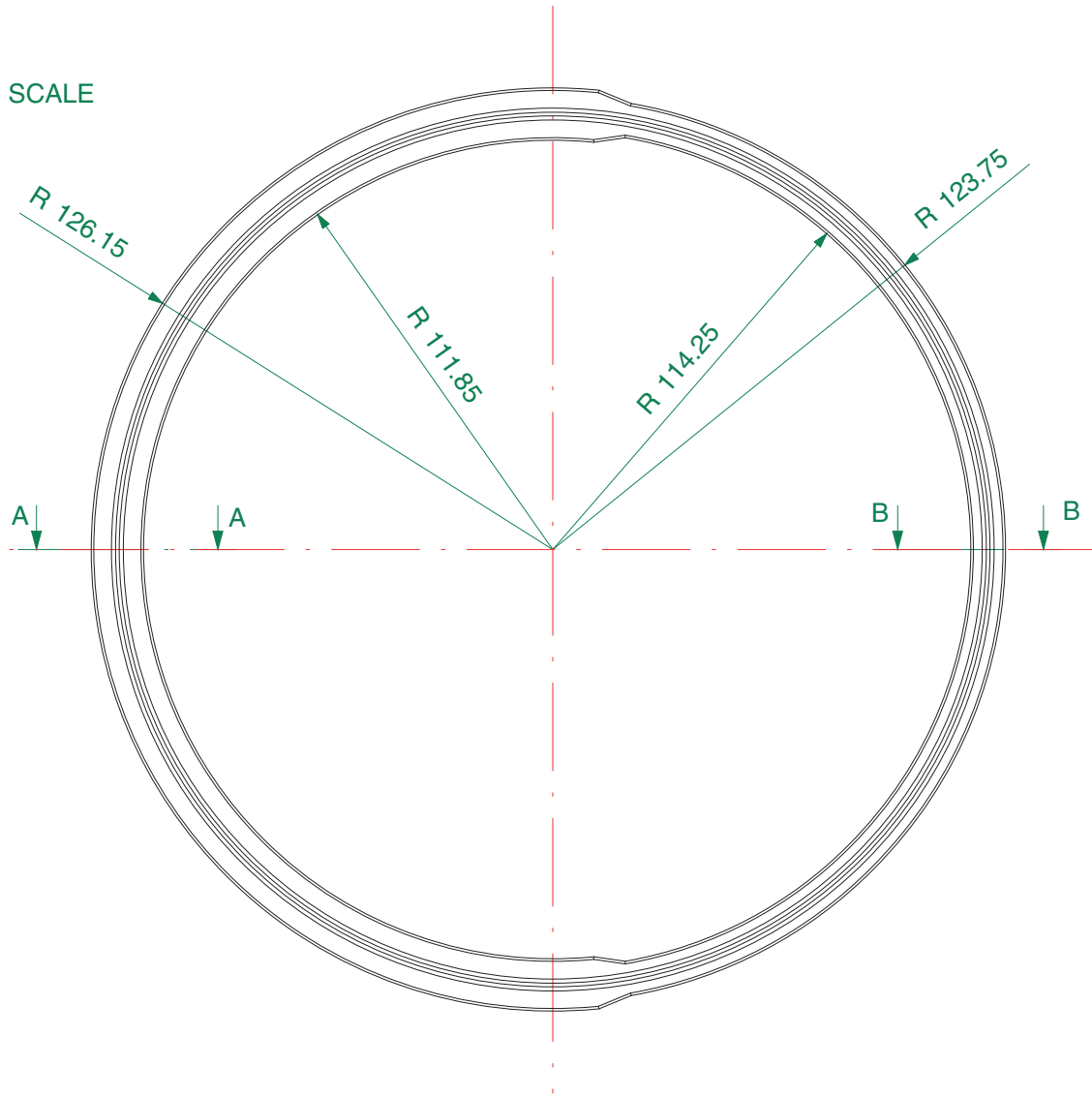
ECHANGEURS

WÄRMEAUSTAUSCHER

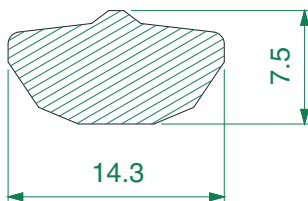
INTERCAMBIADORES

Pos	Orobica Code	Model	Brand	Gasket Type	Q.ty
-	900.0449	AM20	ALFA LAVAL	PORT RING FOR END PLATE	-

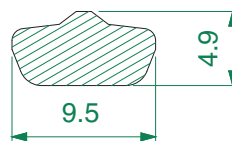
1:2 SCALE



A-A



B-B



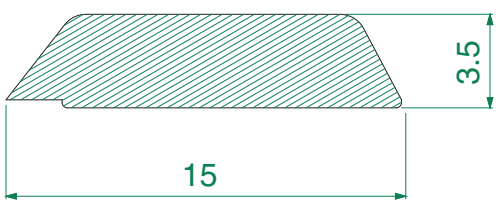
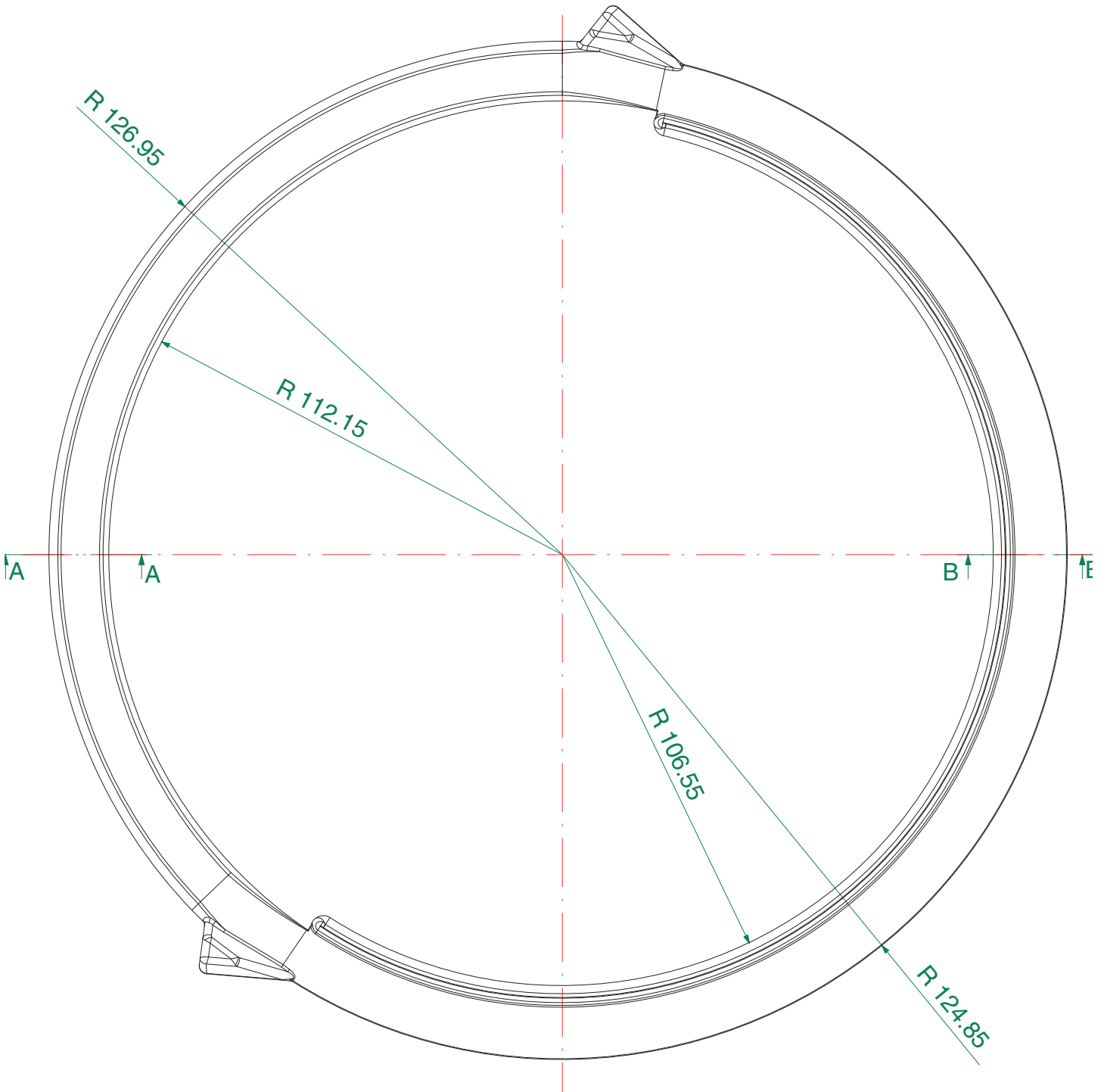
EXCHANGERS

ECHANGEURS

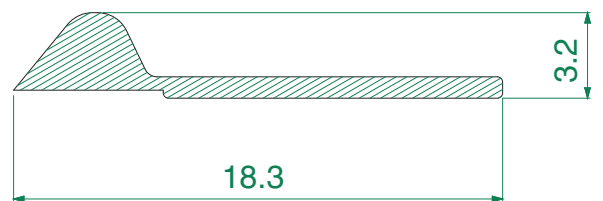
WÄRMEAUSTAUSCHER

INTERCAMBIADORES

Pos	Orobica Code	Model	Brand	Gasket Type	Q.ty
-	900.0503	AM20-AM20DW	ALFA LAVAL	STEPPED GASKET	-



A-A



B-B

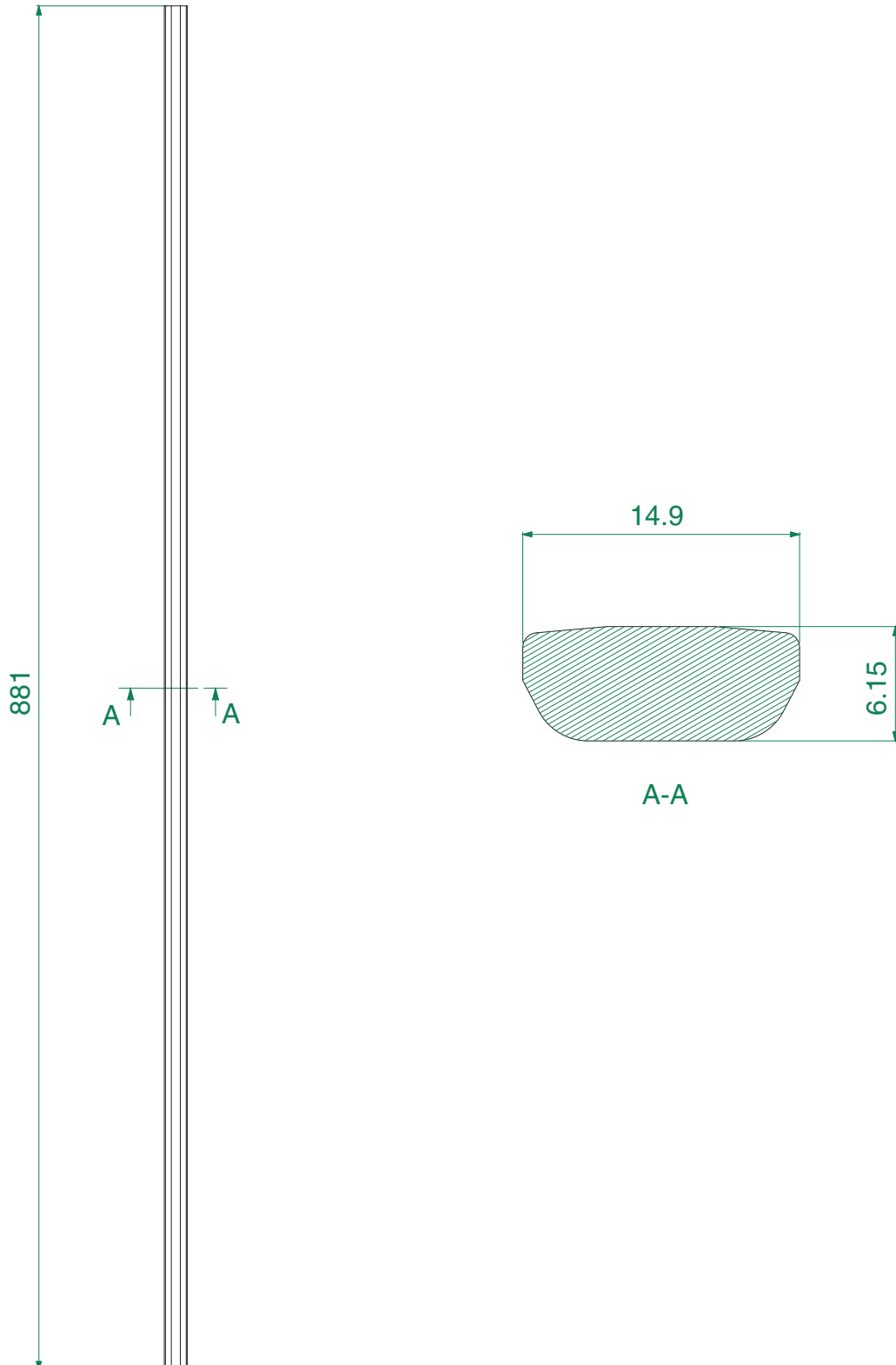
EXCHANGERS

ECHANGEURS

WÄRMEAUSTAUSCHER

INTERCAMBIADORES

Pos	Orobica Code	Model	Brand	Gasket Type	Q.ty
-	900.0507	AM20-AM20DW	ALFA LAVAL	SUPPORT STRIP	-



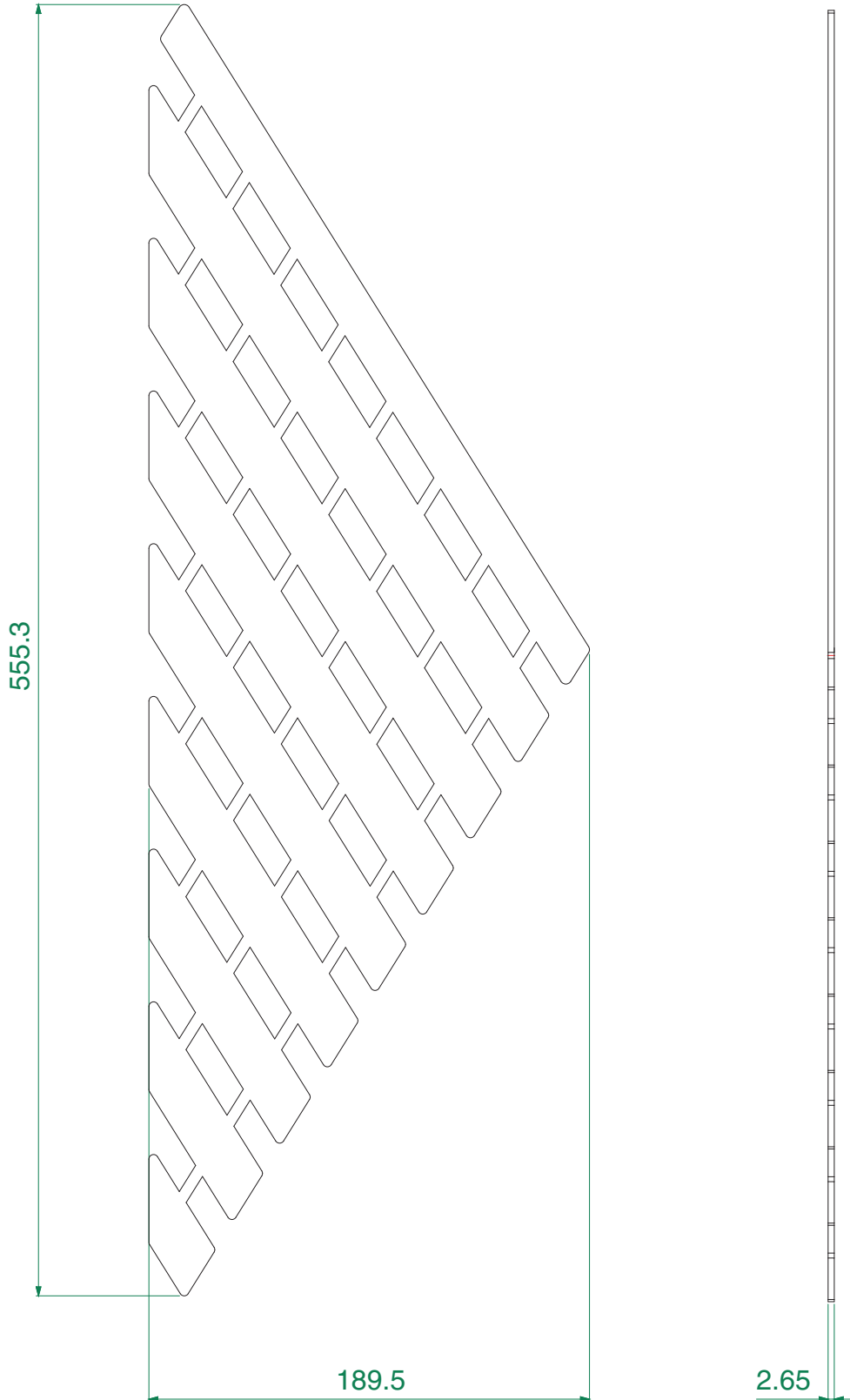
EXCHANGERS

ECHANGEURS

WÄRMEAUSTAUSCHER

INTERCAMBIADORES

Pos	Orobica Code	Model	Brand	Gasket Type	Q.ty
-	900.0505	AM20-AM20DW	ALFA LAVAL	SUPPORT TRIANGLE	-



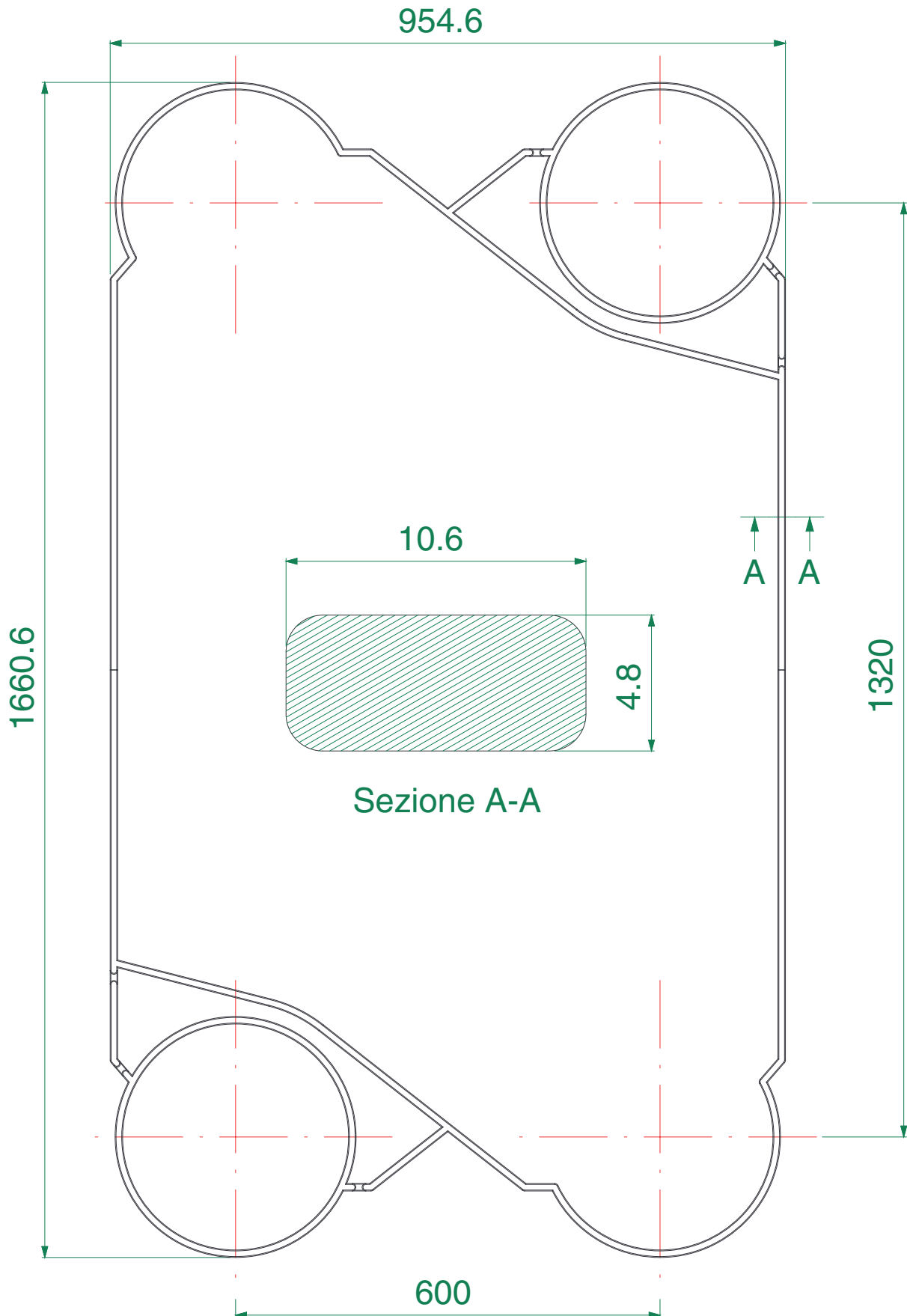
EXCHANGERS

ECHANGEURS

WÄRMEAUSTAUSCHER

INTERCAMBIADORES

Pos	Orobica Code	Model	Brand	Gasket Type	Q.ty
-	900.0513	AV110	ALFA LAVAL	CHANNEL PLATE FLOW GASKET	-



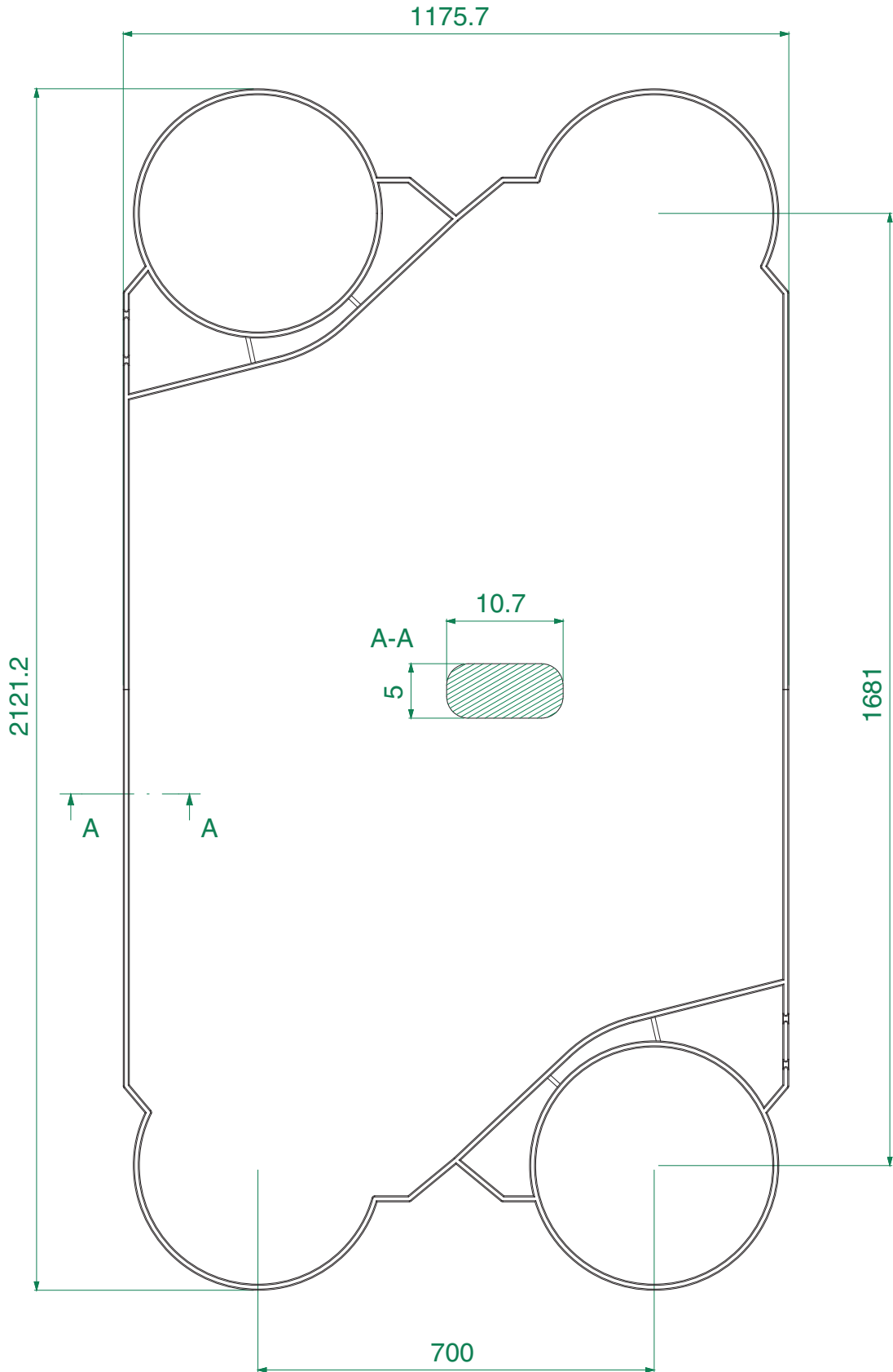
EXCHANGERS

ECHANGEURS

WÄRMEAUSTAUSCHER

INTERCAMBIADORES

Pos	Orobica Code	Model	Brand	Gasket Type	Q.ty
-	900.0446	AV170	ALFA LAVAL	FLOW GASKET GLUED	-



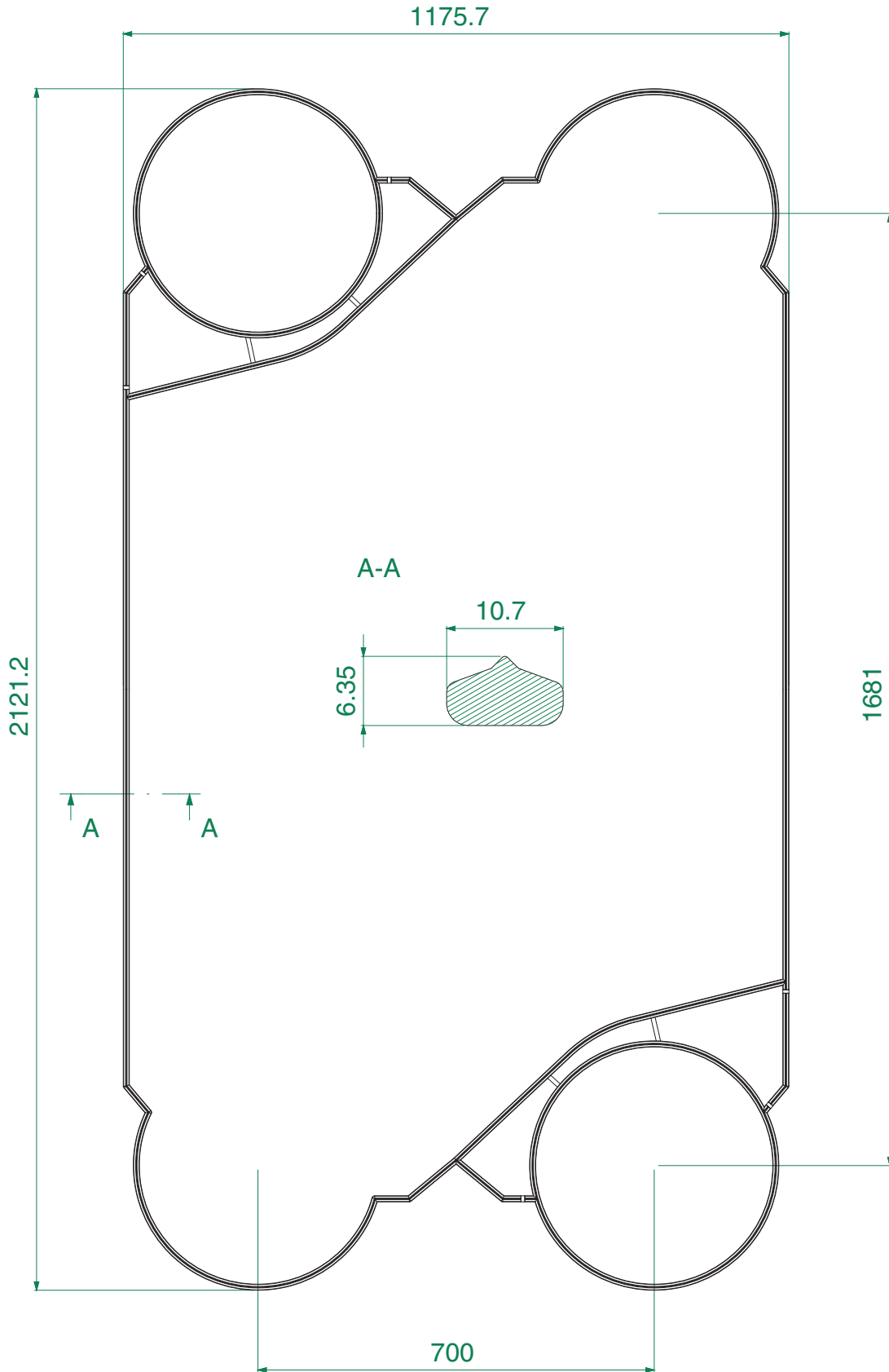
EXCHANGERS

ECHANGEURS

WÄRMEAUSTAUSCHER

INTERCAMBIADORES

Pos	Orobica Code	Model	Brand	Gasket Type	Q.ty
-	900.0485	AV170 PEAK	ALFA LAVAL	FLOW GASKET GLUED	-



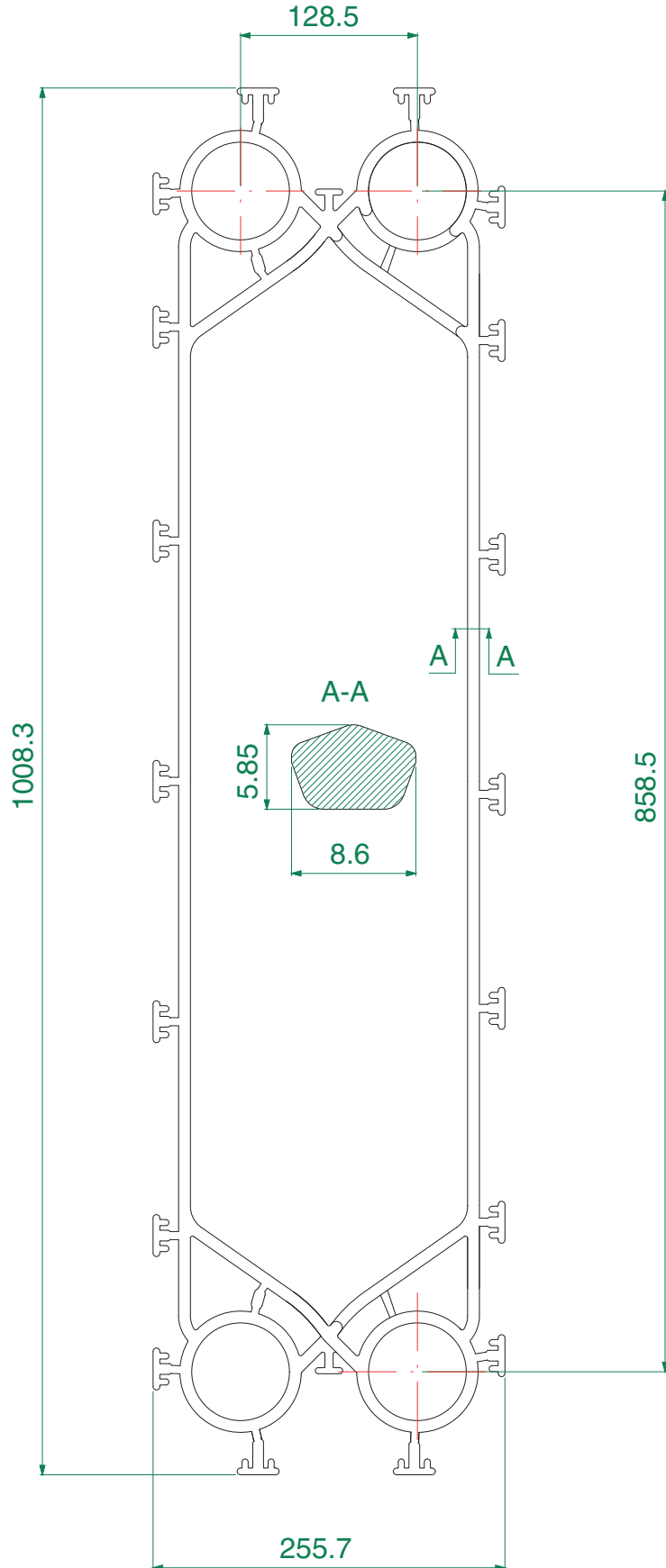
EXCHANGERS

ECHANGEURS

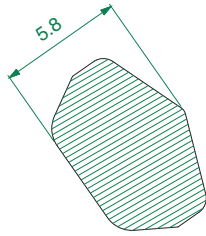
WÄRMEAUSTAUSCHER

INTERCAMBIADORES

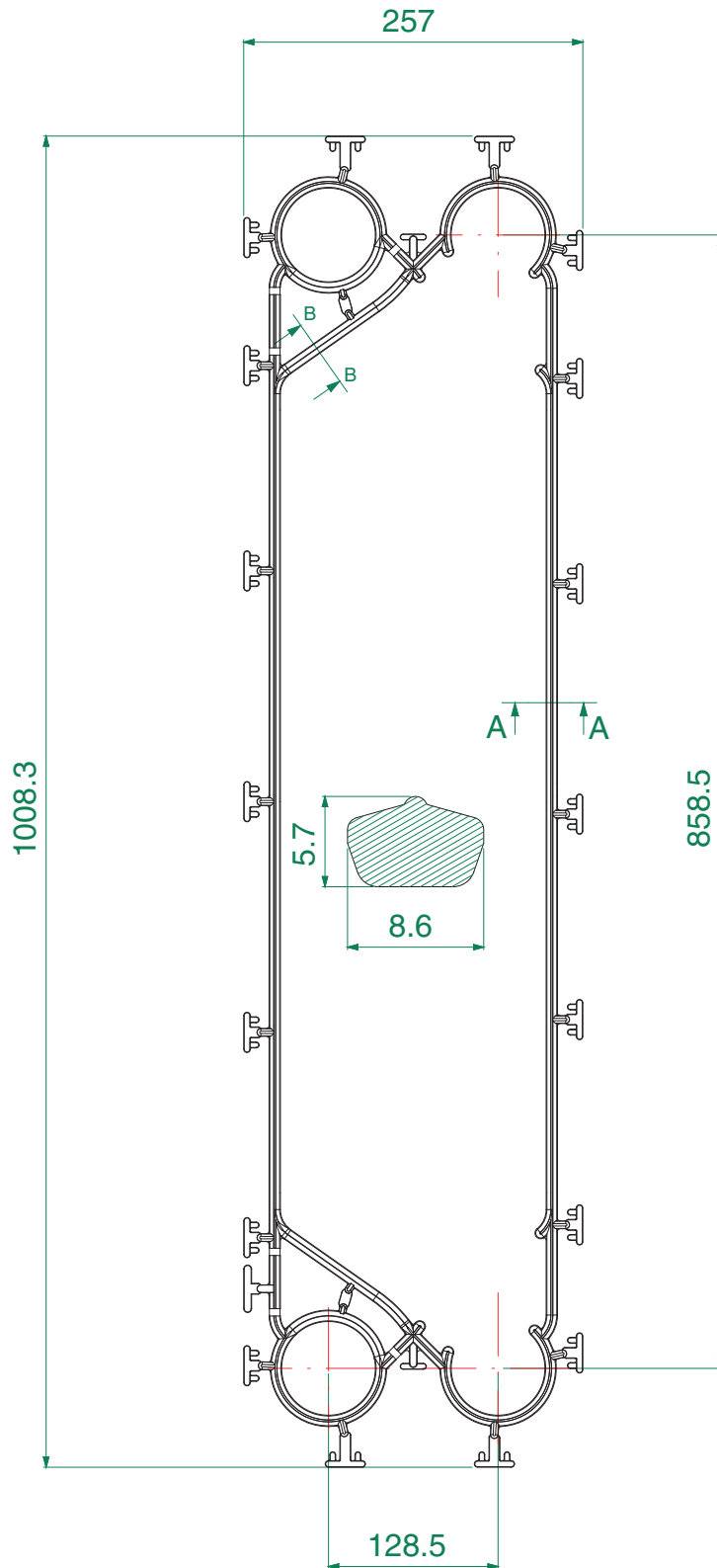
Pos	Orobica Code	Model	Brand	Gasket Type	Q.ty
-	900.0390	CLIP 6	ALFA LAVAL	END-PLATE GASKET	-



Pos	Orobica Code	Model	Brand	Gasket Type	Q.ty
-	900.0184	CLIP6	ALFA LAVAL	CLIP-ON CHANNELPLATE GASKET	-



Sezione B-B
Scala: 4:1



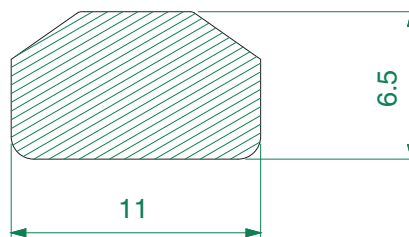
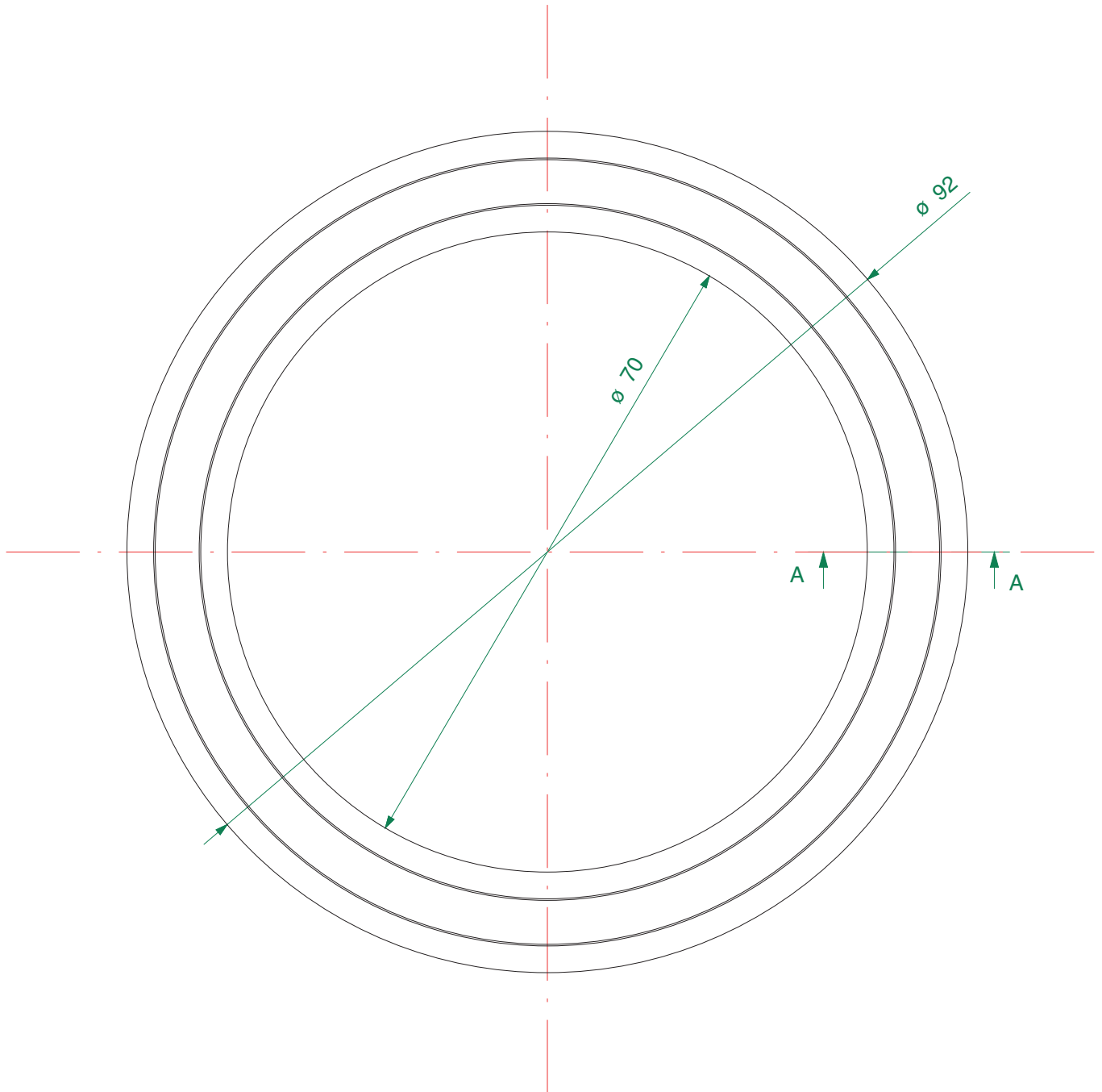
EXCHANGERS

ECHANGEURS

WÄRMEAUSTAUSCHER

INTERCAMBIADORES

Pos	Orobica Code	Model	Brand	Gasket Type	Q.ty
-	900.0185	CLIP 6	ALFA LAVAL	PORT-RING GASKET H=6.5	-



Sezione A-A

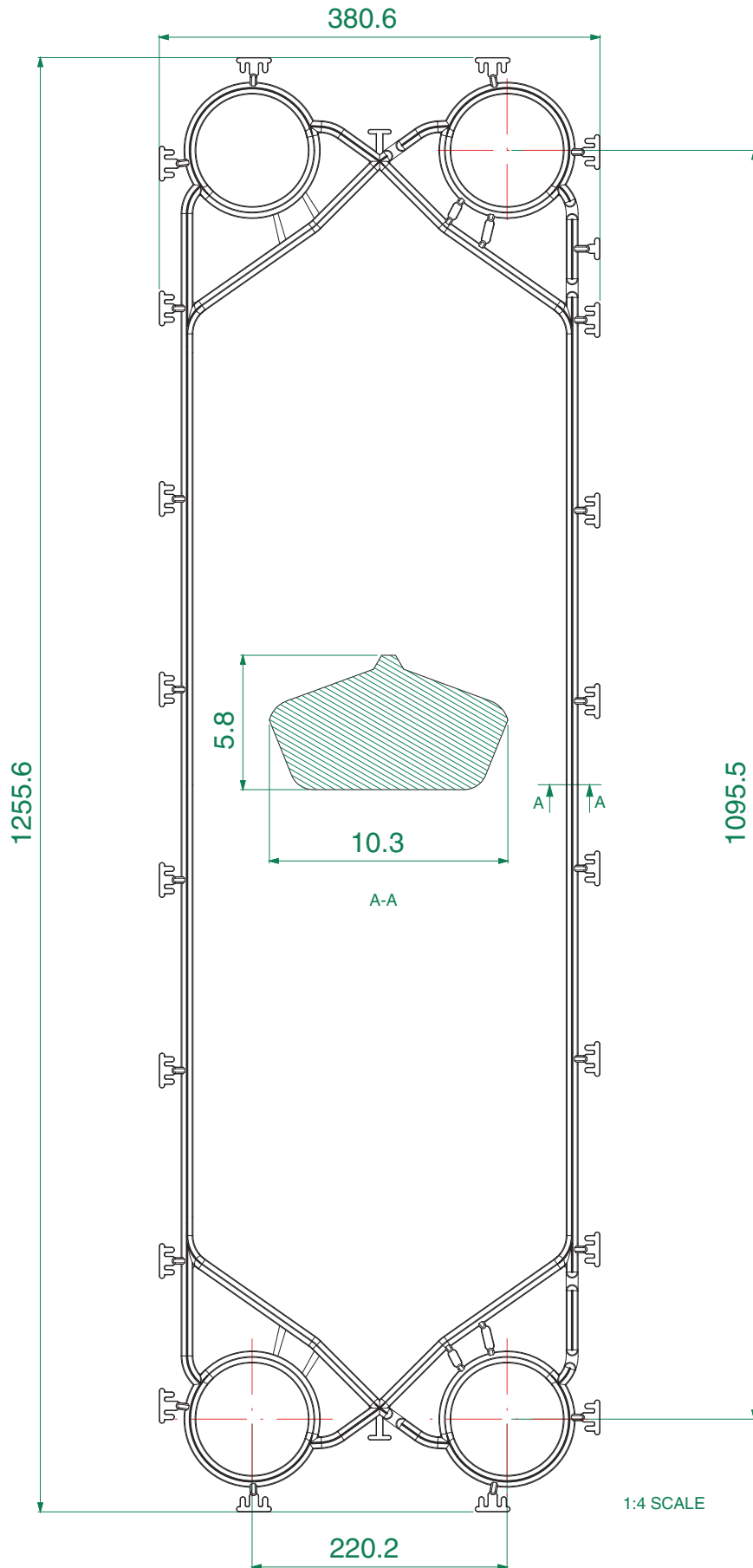
EXCHANGERS

ECHANGEURS

WÄRMEAUSTAUSCHER

INTERCAMBIADORES

Pos	Orobica Code	Model	Brand	Gasket Type	Q.ty
-	900.0224	CLIP 8	ALFA LAVAL	CLIP ON ENDPLATE GASKET	-



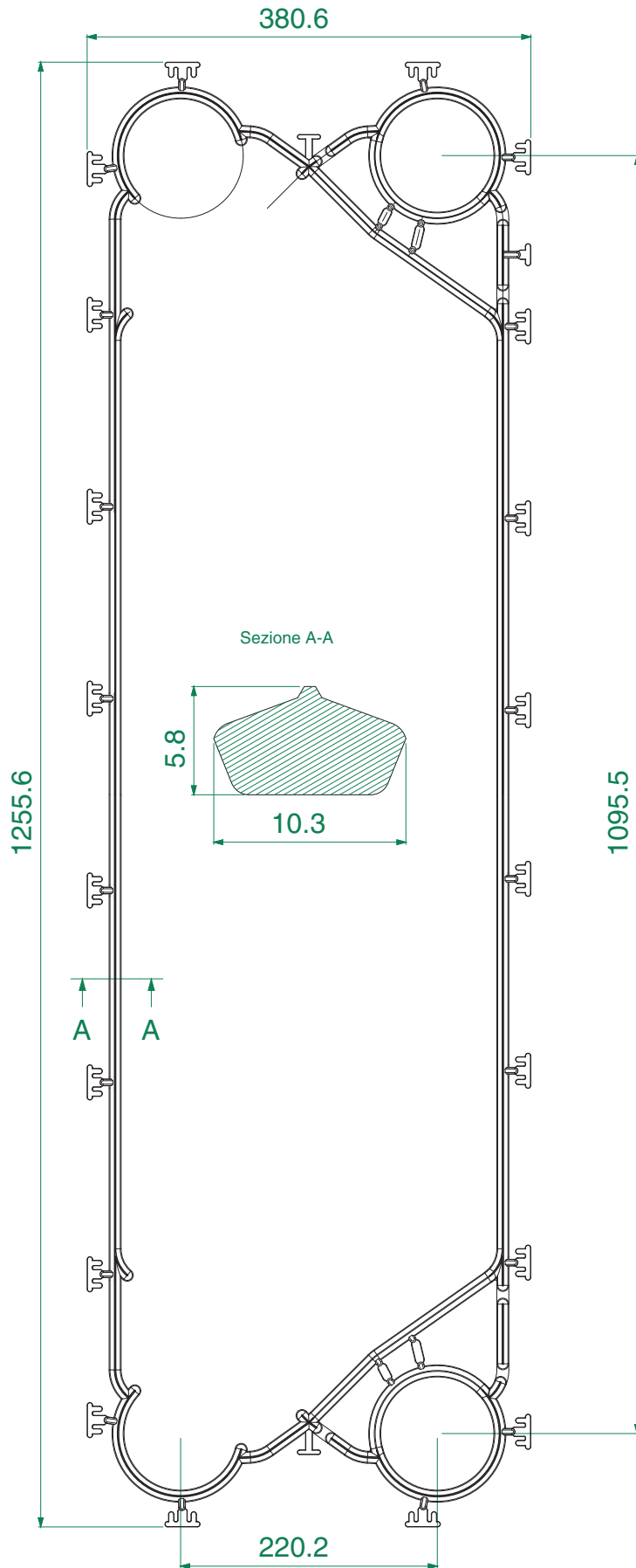
EXCHANGERS

ECHANGEURS

WÄRMEAUSTAUSCHER

INTERCAMBIADORES

Pos	Orobica Code	Model	Brand	Gasket Type	Q.ty
-	900.0189	CLIP 8	ALFA LAVAL	CLIP-ON CHANNELPLATE GASKET	-



EXCHANGERS

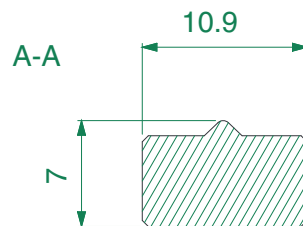
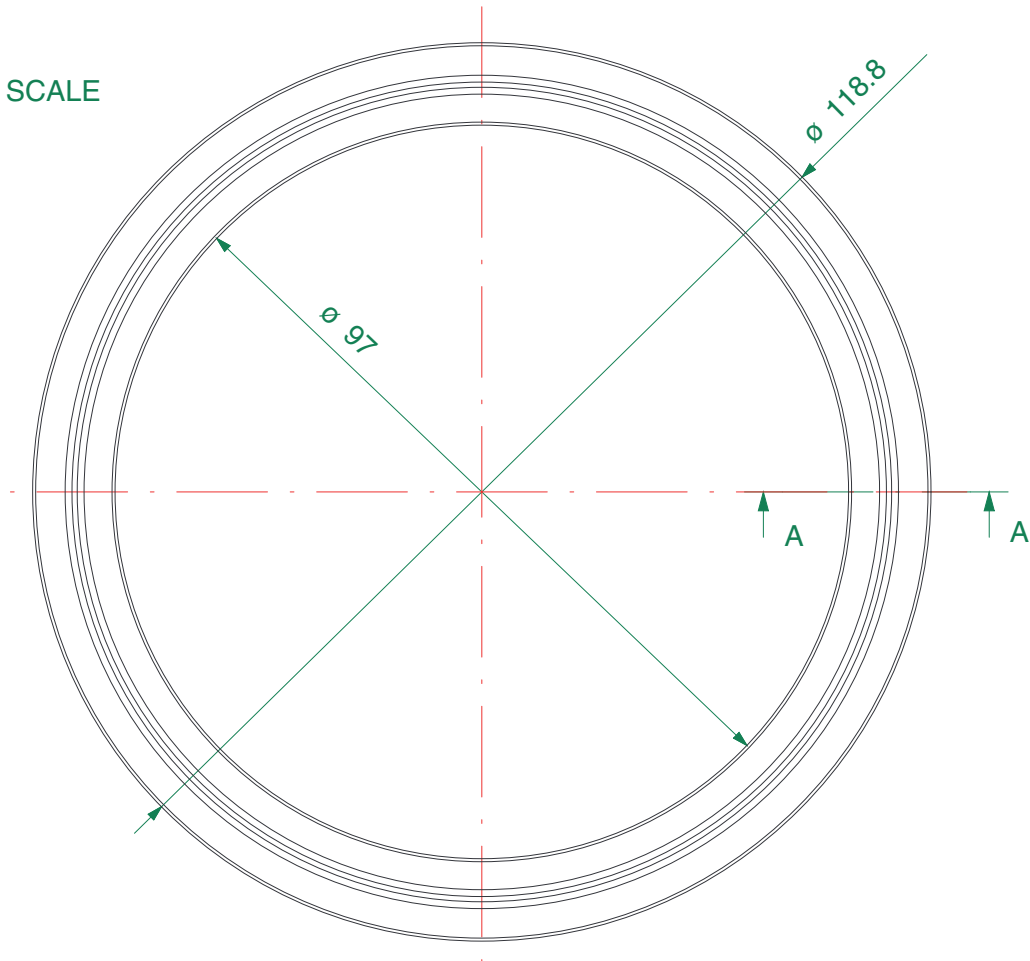
ECHANGEURS

WÄRMEAUSTAUSCHER

INTERCAMBIADORES

Pos	Orobica Code	Model	Brand	Gasket Type	Q.ty
-	900.0225	CLIP 8-H7FMC	ALFA LAVAL	CONNECTION RING GASKET	-

1:1 SCALE



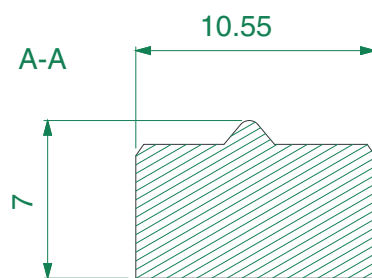
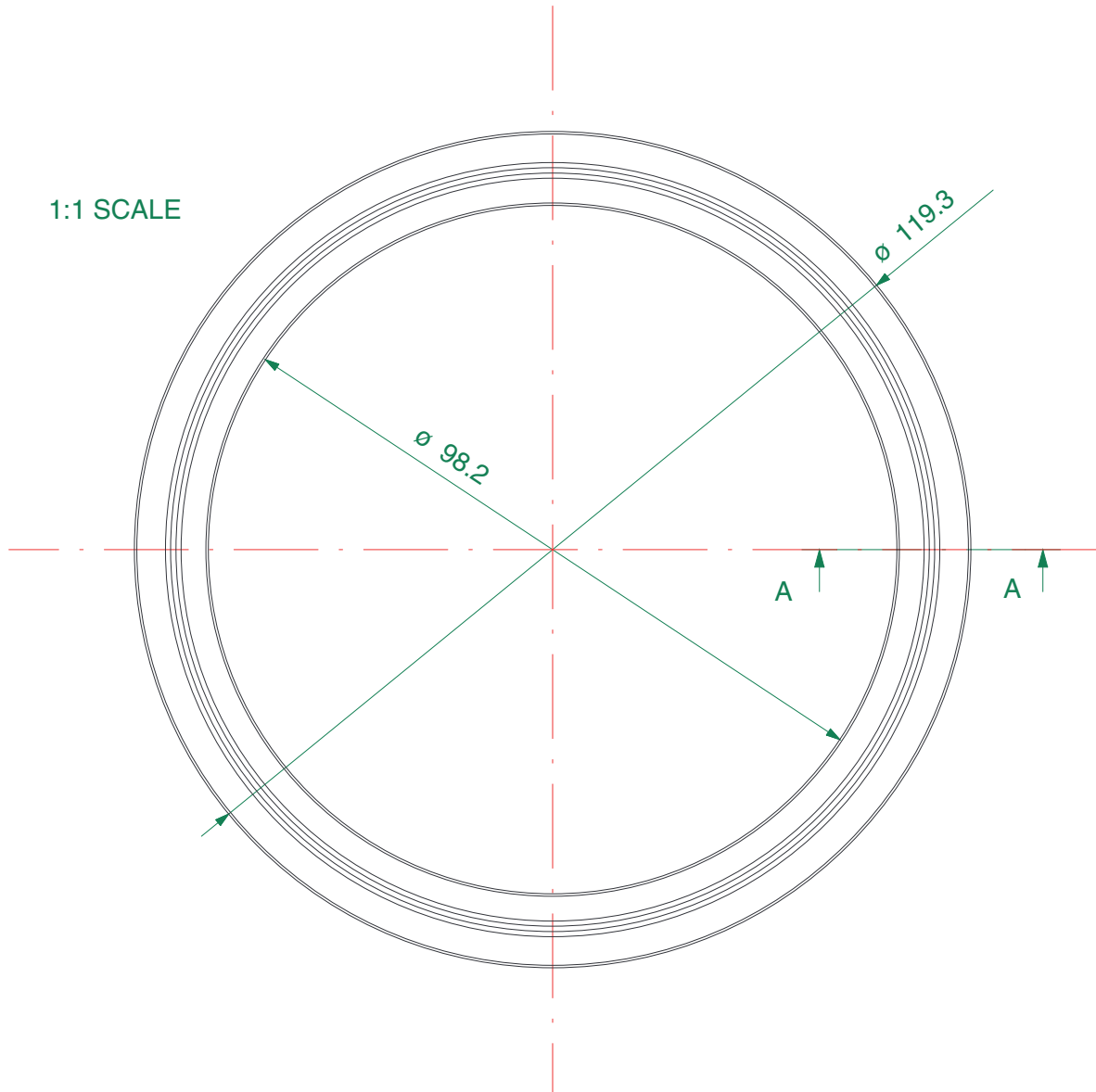
EXCHANGERS

ECHANGEURS

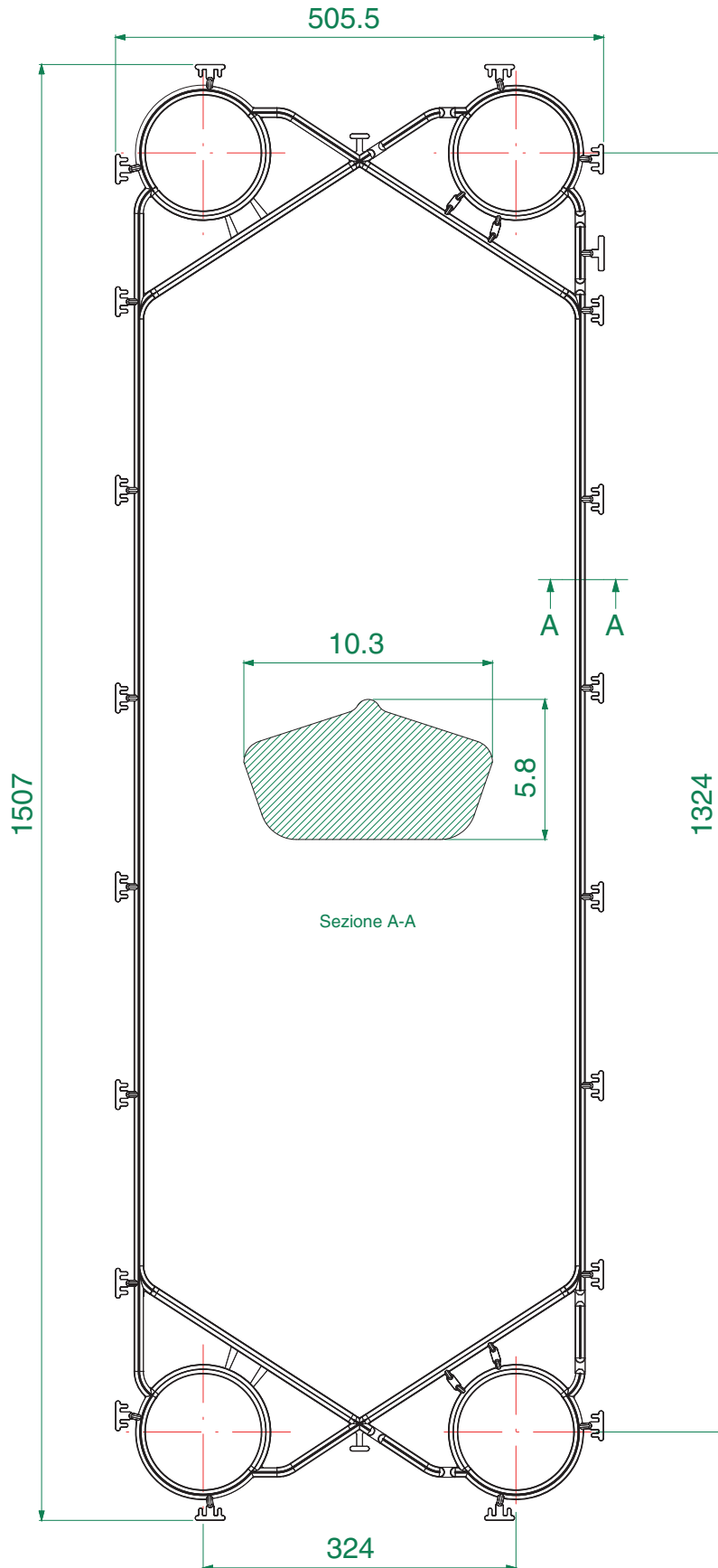
WÄRMEAUSTAUSCHER

INTERCAMBIADORES

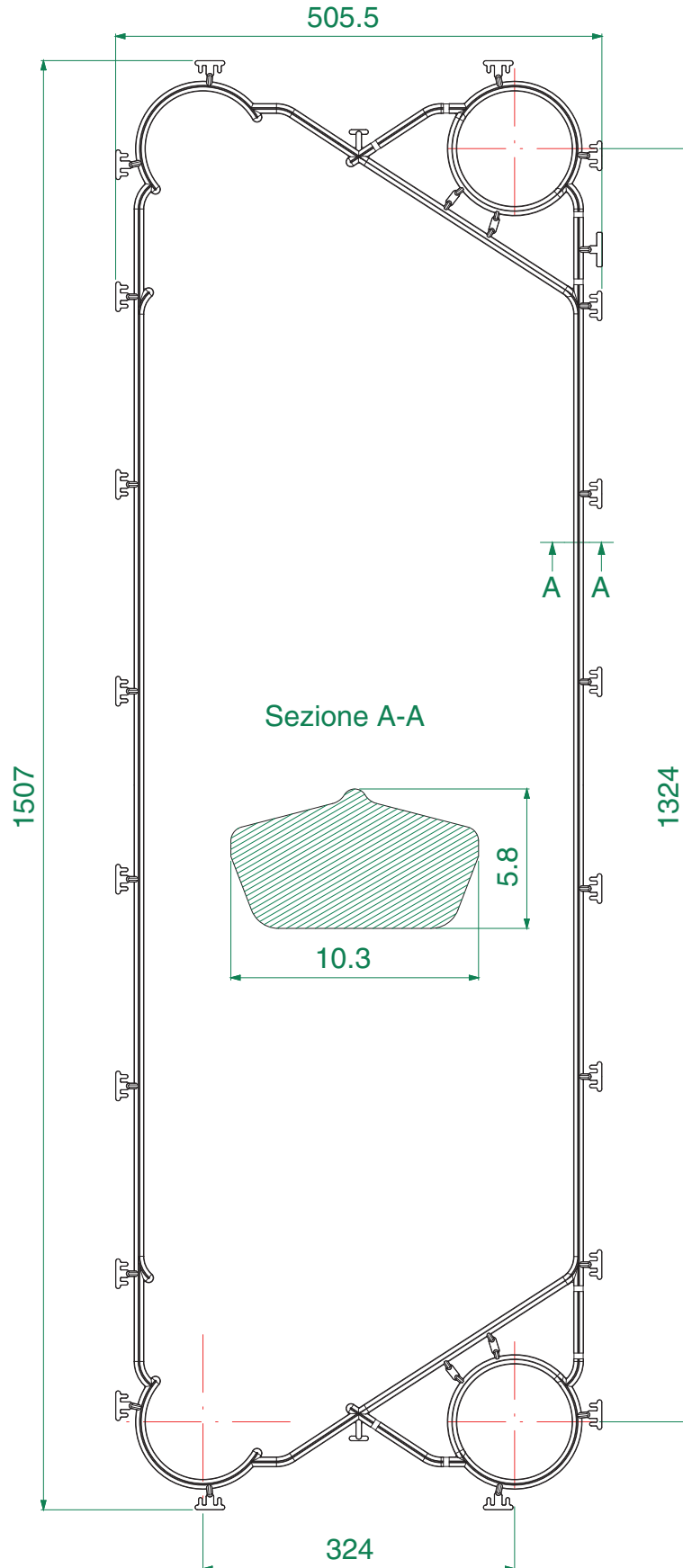
Pos	Orobica Code	Model	Brand	Gasket Type	Q.ty
-	900.0260	H7 FMC-CLIP8	ALFA LAVAL	PORT RING GASKET H=7 FMC FRAME	-



Pos	Orobica Code	Model	Brand	Gasket Type	Q.ty
-	900.0281	CLIP 10	ALFA LAVAL	CLIP-ON ENDPLATE GASKET	-



Pos	Orobica Code	Model	Brand	Gasket Type	Q.ty
-	900.0191	CLIP 10	ALFA LAVAL	CLIP-ON CHANNELPLATE GASKET	-



EXCHANGERS

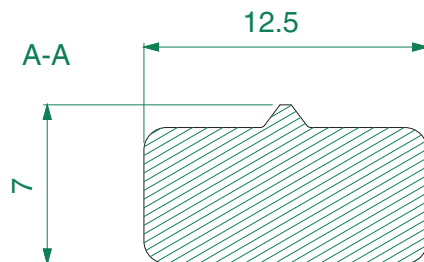
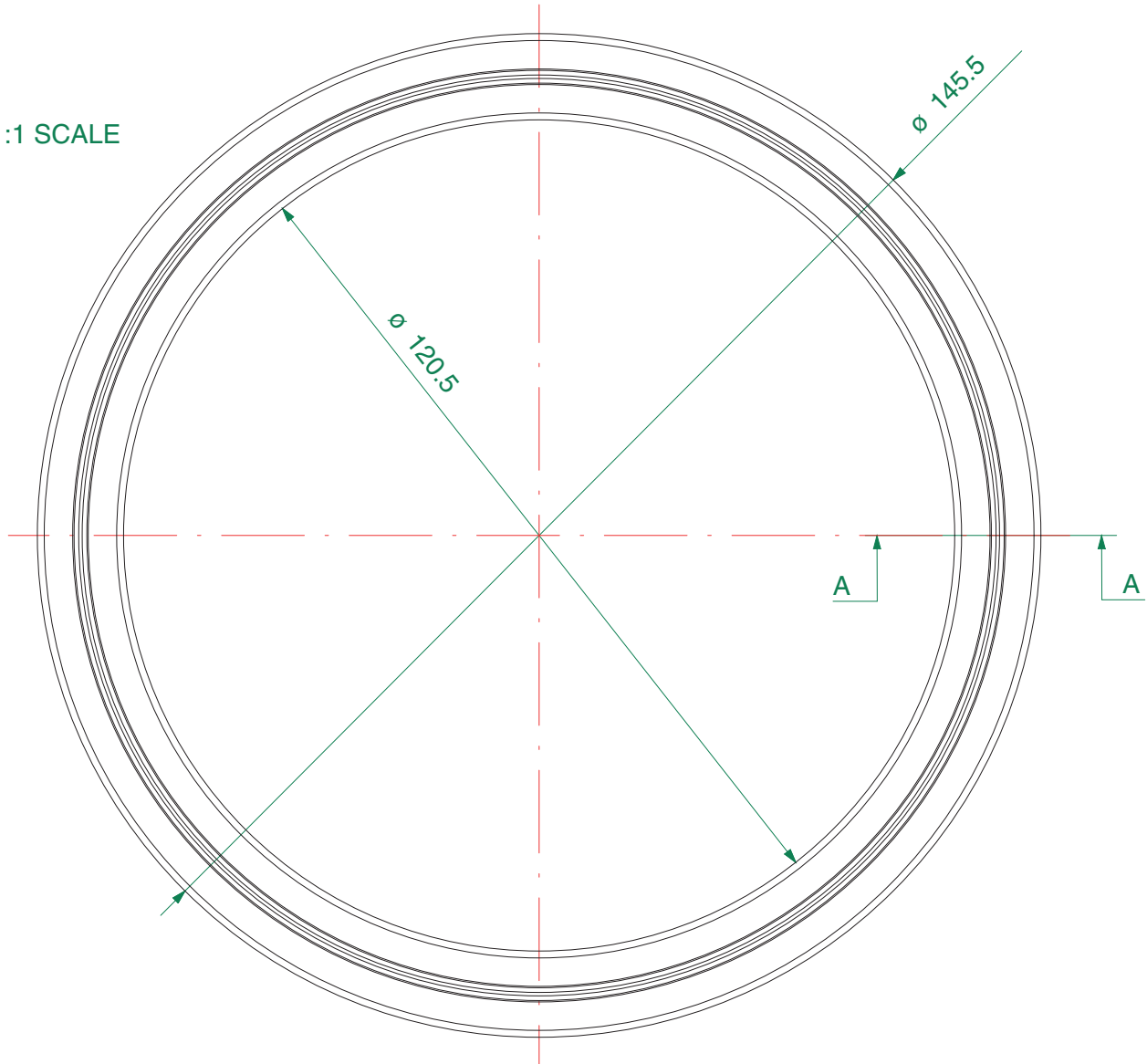
ECHANGEURS

WÄRMEAUSTAUSCHER

INTERCAMBIADORES

Pos	Orobica Code	Model	Brand	Gasket Type	Q.ty
-	900.0045	H10-CLIP10-AM10	ALFA LAVAL	PORT RING GASKET H=7,0	-

1:1 SCALE



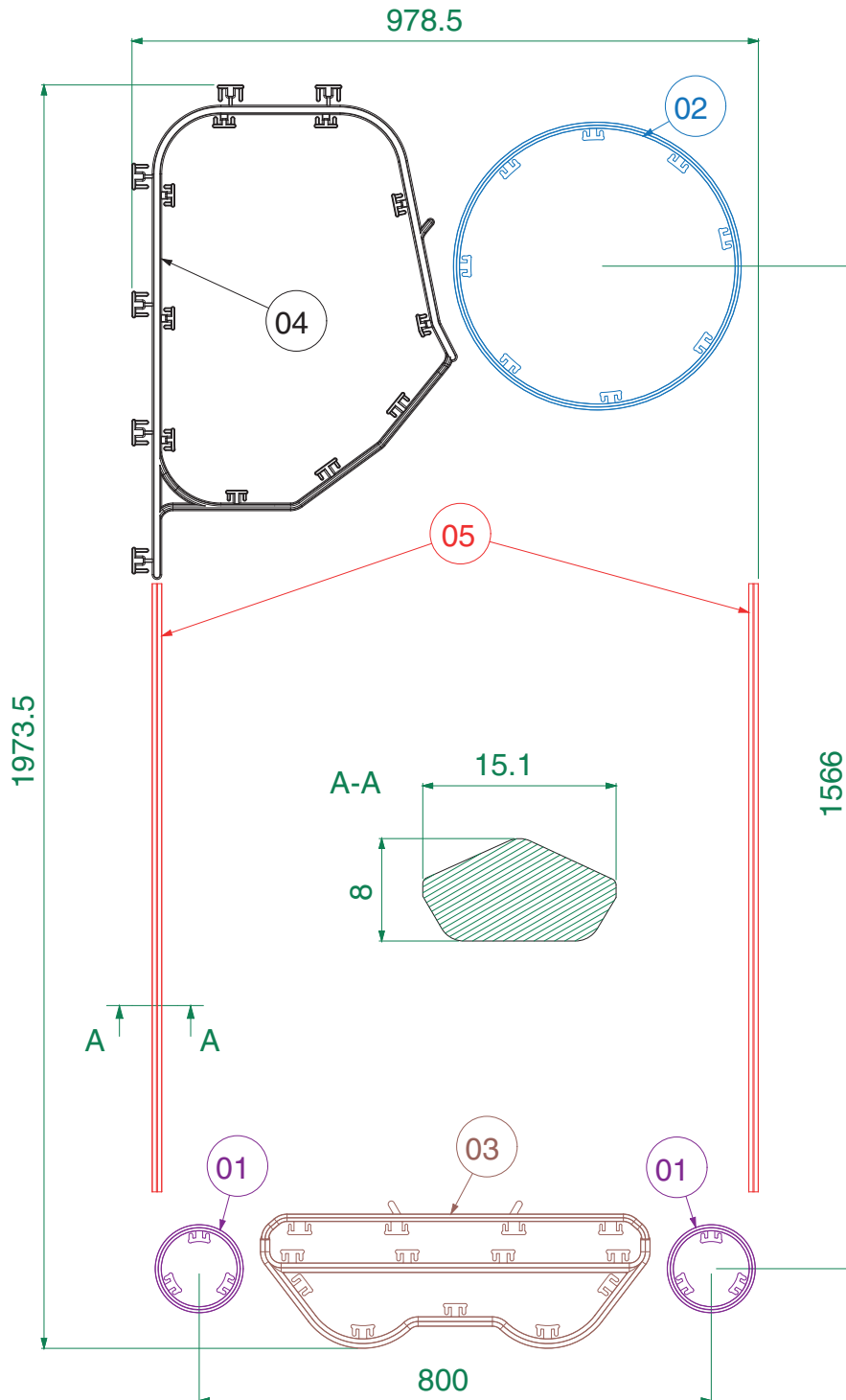
EXCHANGERS

ECHANGEURS

WÄRMEAUSTAUSCHER

INTERCAMBIADORES

Pos	Orobica Code	Model	Brand	Gasket Type	Q.ty
1-5	900.0356	EC500	ALFA LAVAL	CLIP-ON INITIAL-END GASKET	01
01	900.0357	EC500	ALFA LAVAL	CLIP-ON LOW PORT RING GASKET	02
02	900.0358	EC500	ALFA LAVAL	CLIP-ON BIG PORT RING GASKET	01
03	900.0359	EC500	ALFA LAVAL	CLIP-ON LOW HEAD GASKET	01
04	900.0360	EC500	ALFA LAVAL	CLIP-ON UPPER HEAD GASKET	01
05	900.0361	EC500	ALFA LAVAL	CONNECTION GASKET	02



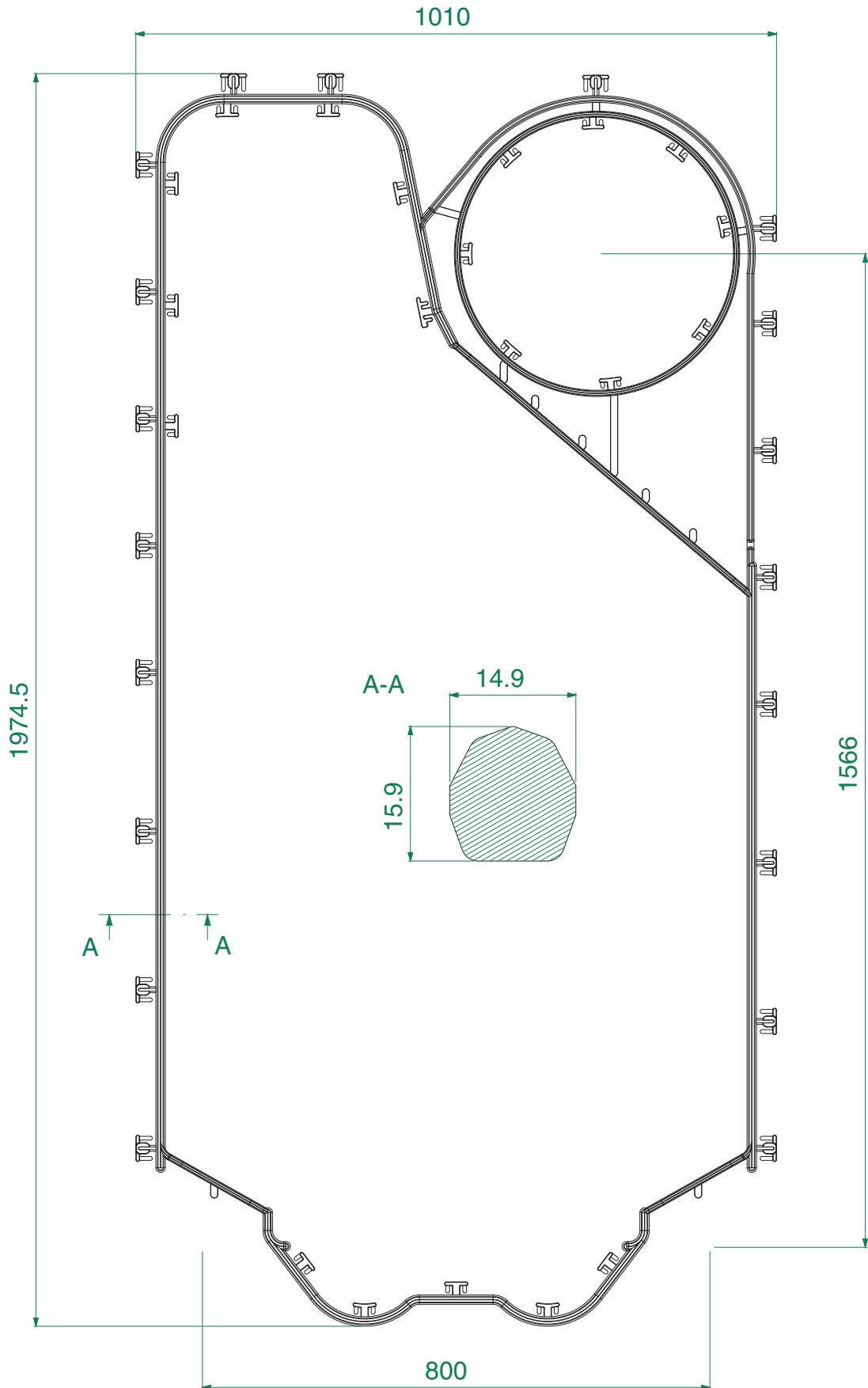
EXCHANGERS

ECHANGEURS

WÄRMEAUSTAUSCHER

INTERCAMBIADORES

Pos	Orobica Code	Model	Brand	Gasket Type	Q.ty
-	900.0329	EC500	ALFA LAVAL	CLIP-ON FIELD GASKET	-



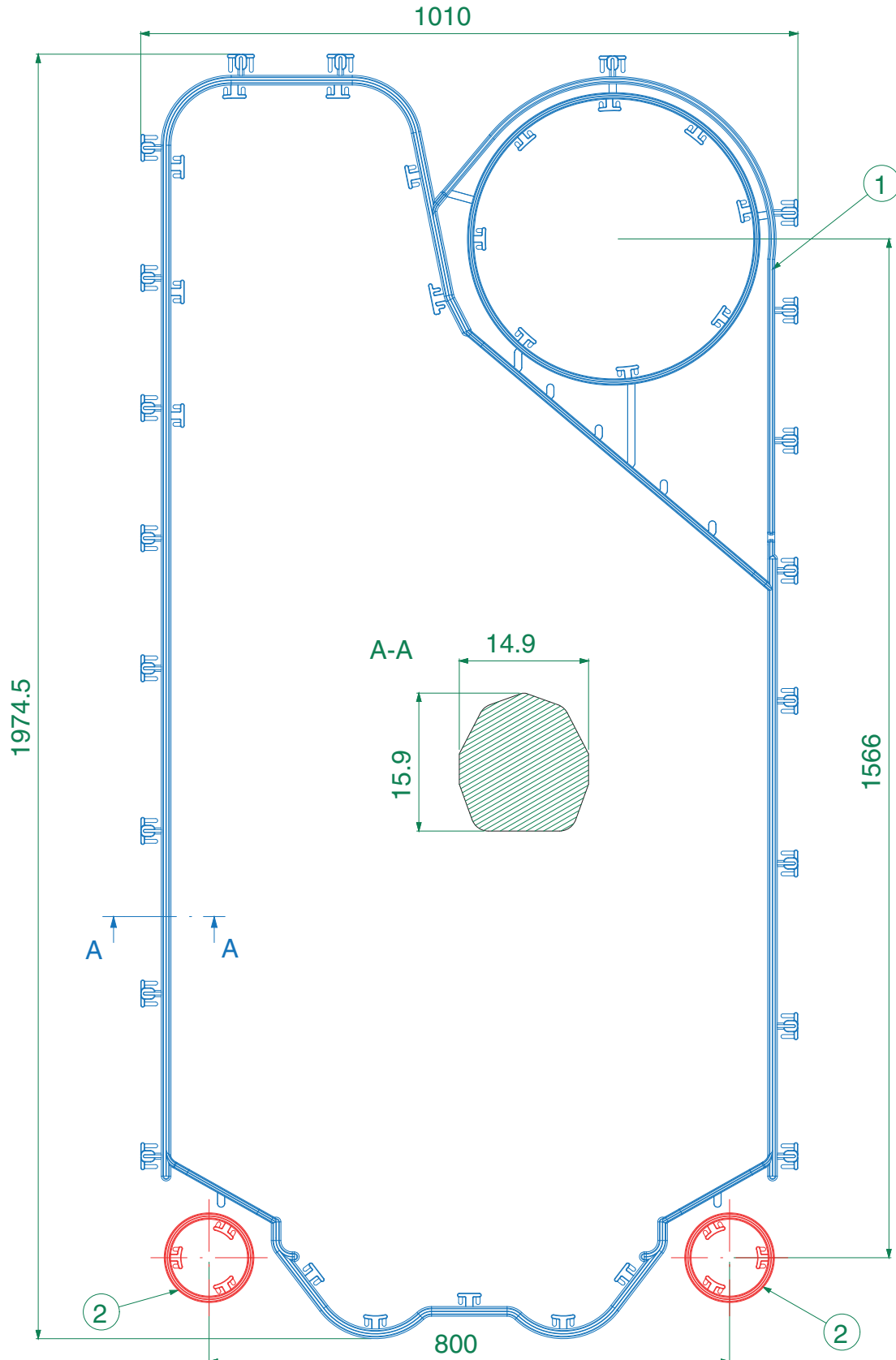
EXCHANGERS

ECHANGEURS

WÄRMEAUSTAUSCHER

INTERCAMBIADORES

Pos	Orobica Code	Model	Brand	Gasket Type	Q.ty
-	900.03291	EC500	ALFA LAVAL	FLOW-SET CLIP-ON GASKET	1
1	900.0329	EC500	ALFA LAVAL	CLIP-ON FIELD GASKET	1
2	900.0330	EC500	ALFA LAVAL	CLIP-ON RING GASKET	2



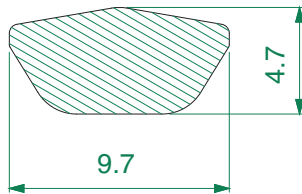
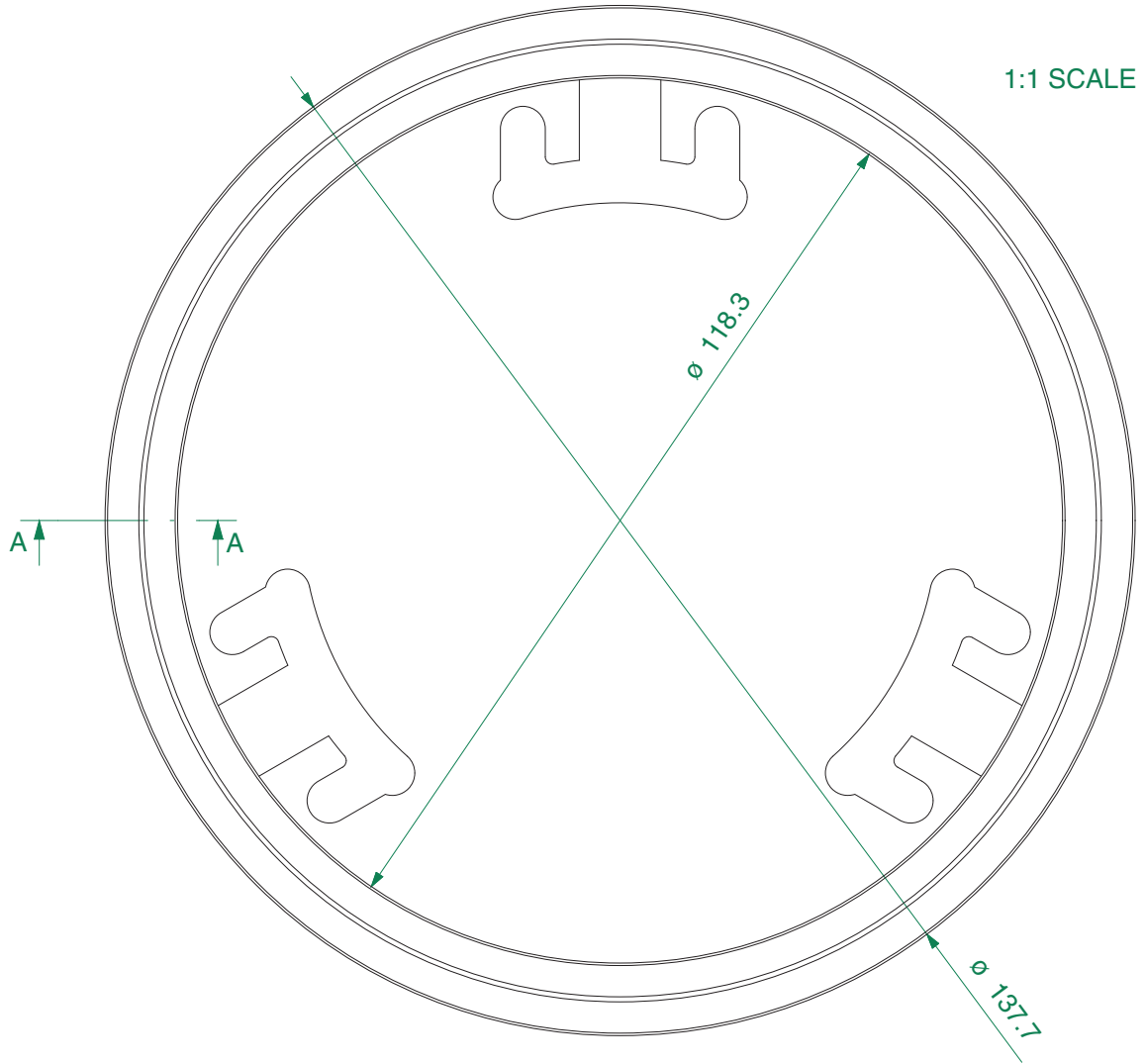
EXCHANGERS

ECHANGEURS

WÄRMEAUSTAUSCHER

INTERCAMBIADORES

Pos	Orobica Code	Model	Brand	Gasket Type	Q.ty
-	900.0357	EC 500	ALFA LAVAL	CLIP-ON GASKET FOR ENDPLATE	-



A-A

EXCHANGERS

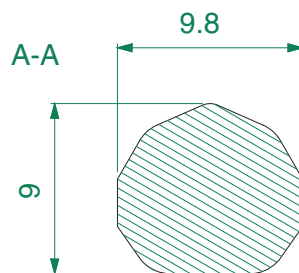
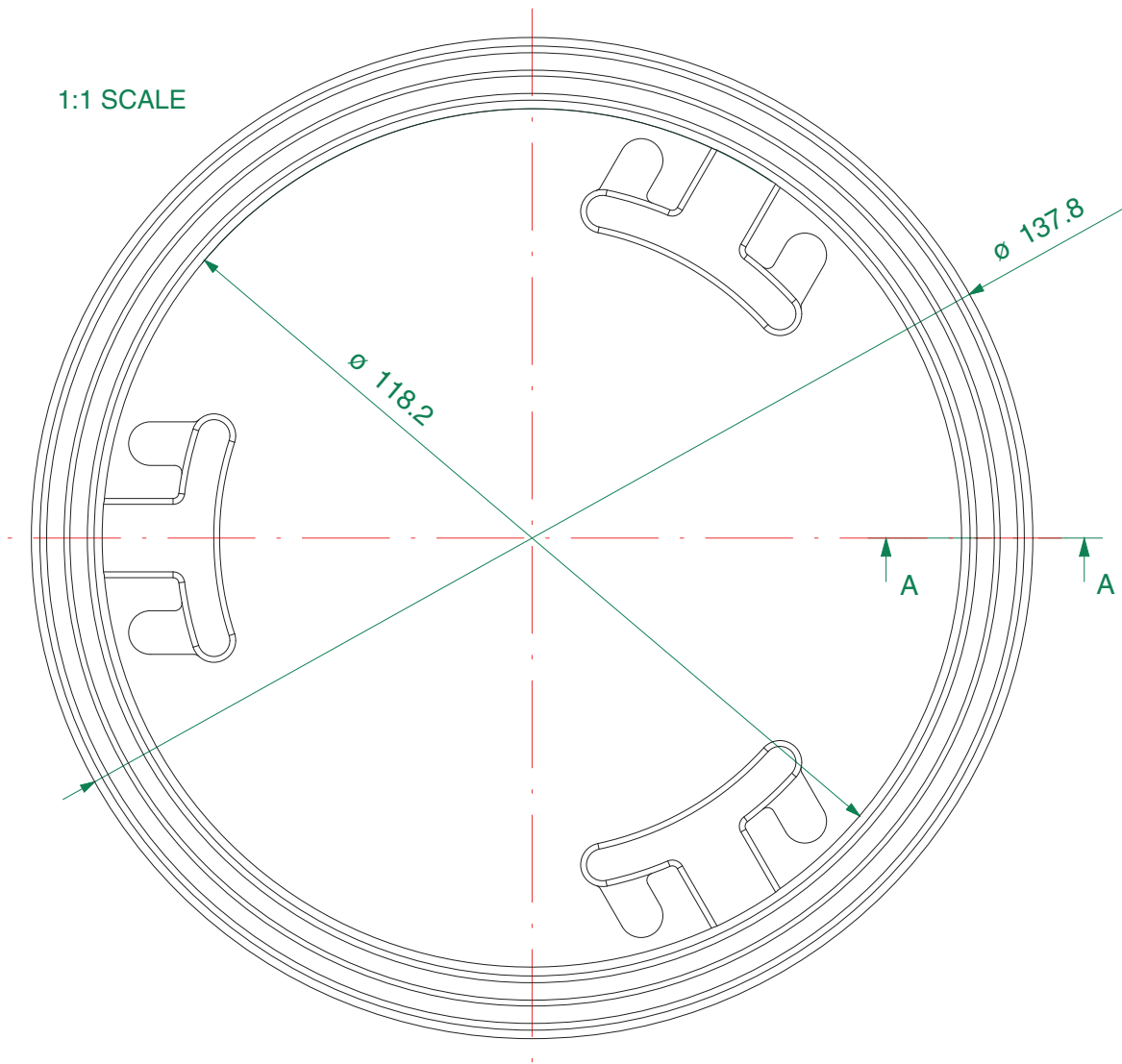
ECHANGEURS

WÄRMEAUSTAUSCHER

INTERCAMBIADORES

Pos	Orobica Code	Model	Brand	Gasket Type	Q.ty
-	900.0330	EC500	ALFA LAVAL	CLIP-ON RING GASKET	-

1:1 SCALE



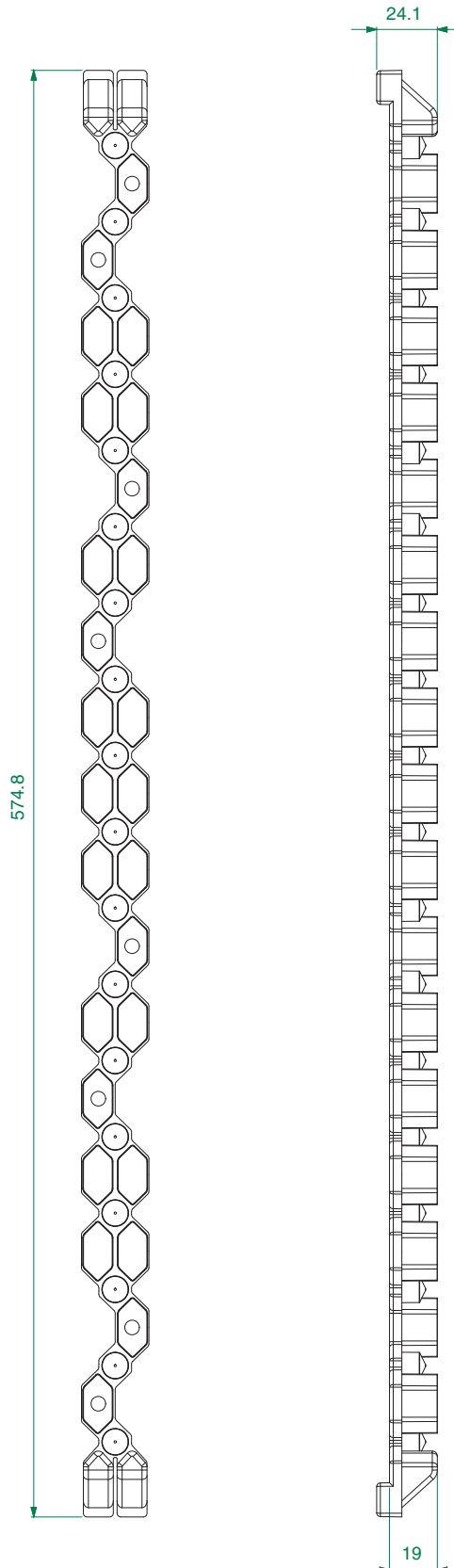
EXCHANGERS

ECHANGEURS

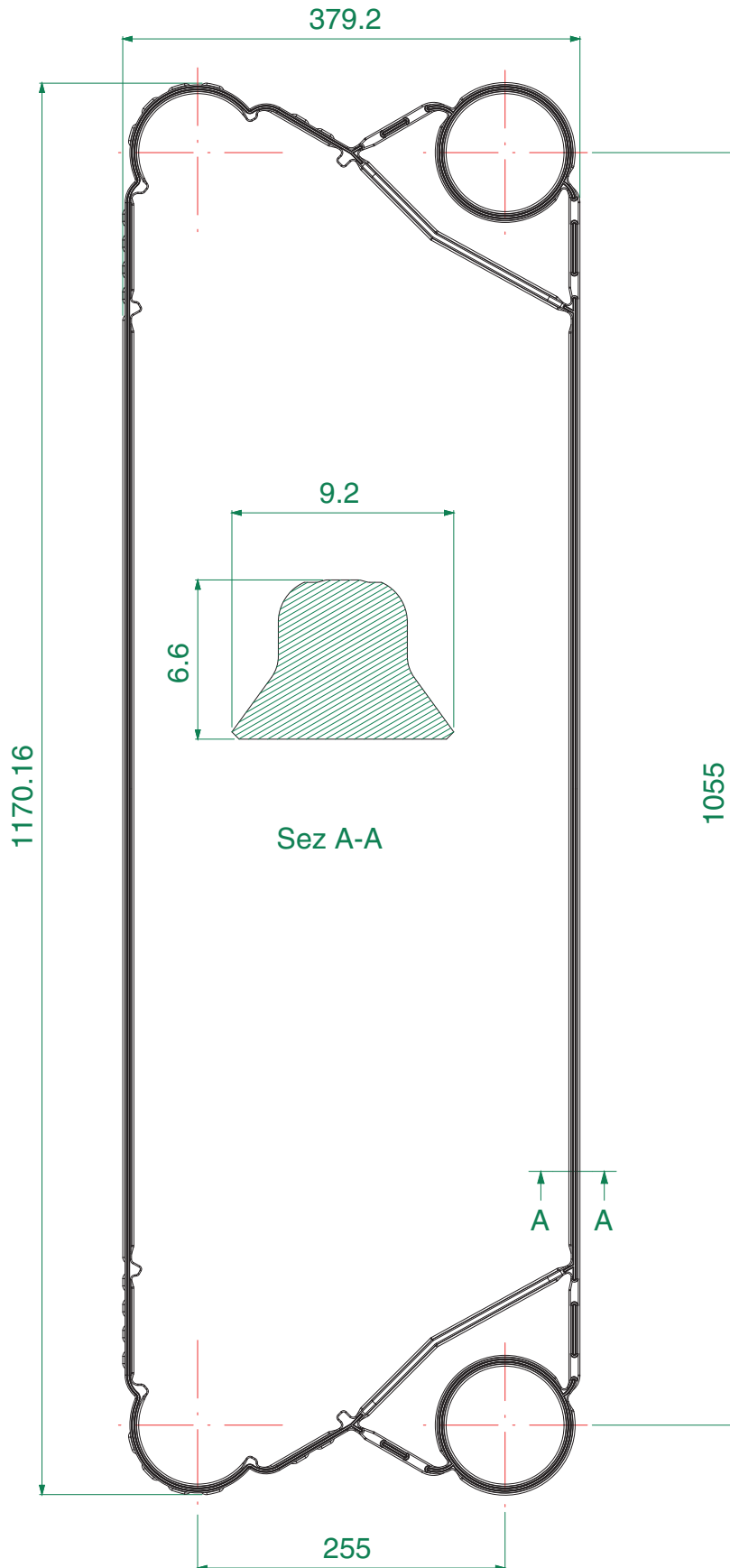
WÄRMEAUSTAUSCHER

INTERCAMBIADORES

Pos	Orobica Code	Model	Brand	Gasket Type	Q.ty
-	900_0630	EC 500	Alfa Laval	Throttle gasket for EC500	-



Pos	Orobica Code	Model	Brand	Gasket Type	Q.ty
-	900.0100	H7	ALFA LAVAL	CHANNELPLATE GASKET	-



EXCHANGERS

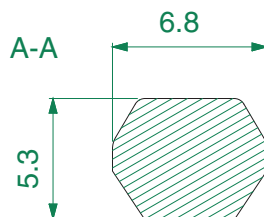
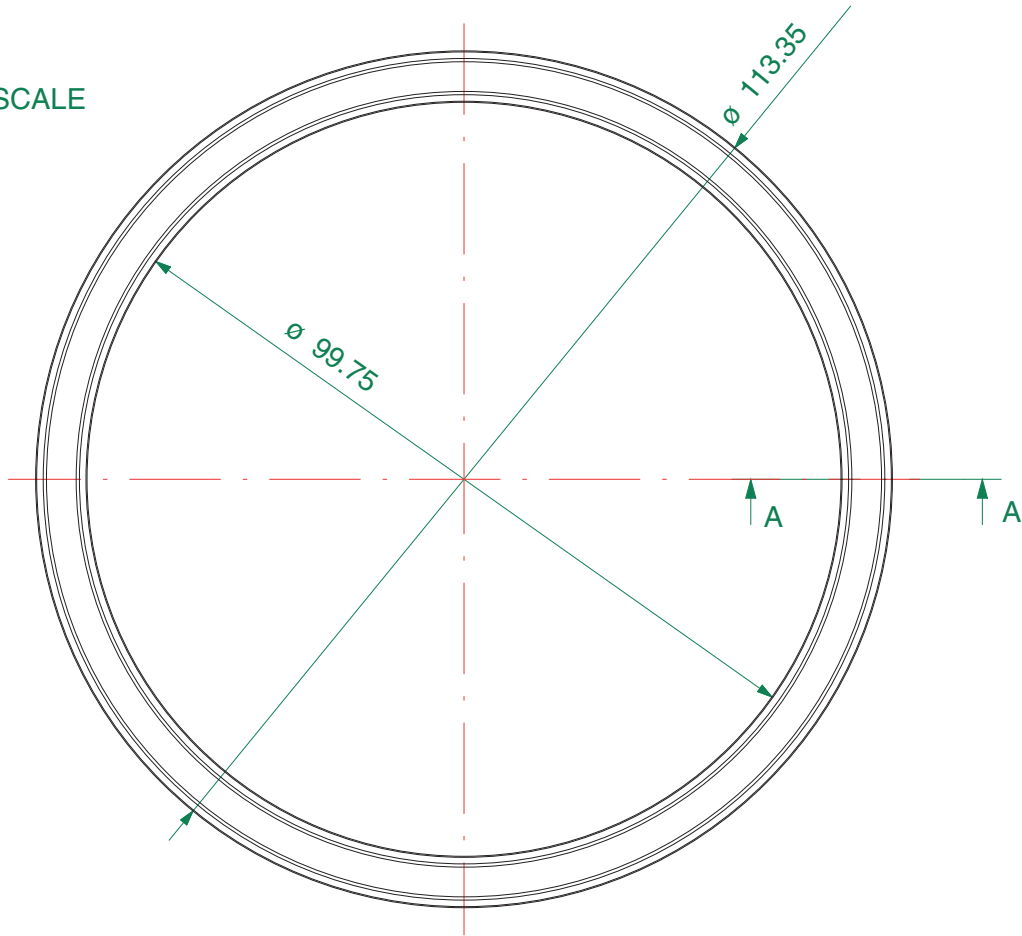
ECHANGEURS

WÄRMEAUSTAUSCHER

INTERCAMBIADORES

Pos	Orobica Code	Model	Brand	Gasket Type	Q.ty
-	900.0261	H7	ALFA LAVAL	PORT RING GASKET H=6,3	-

1:1 SCALE



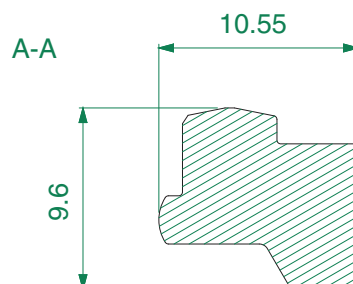
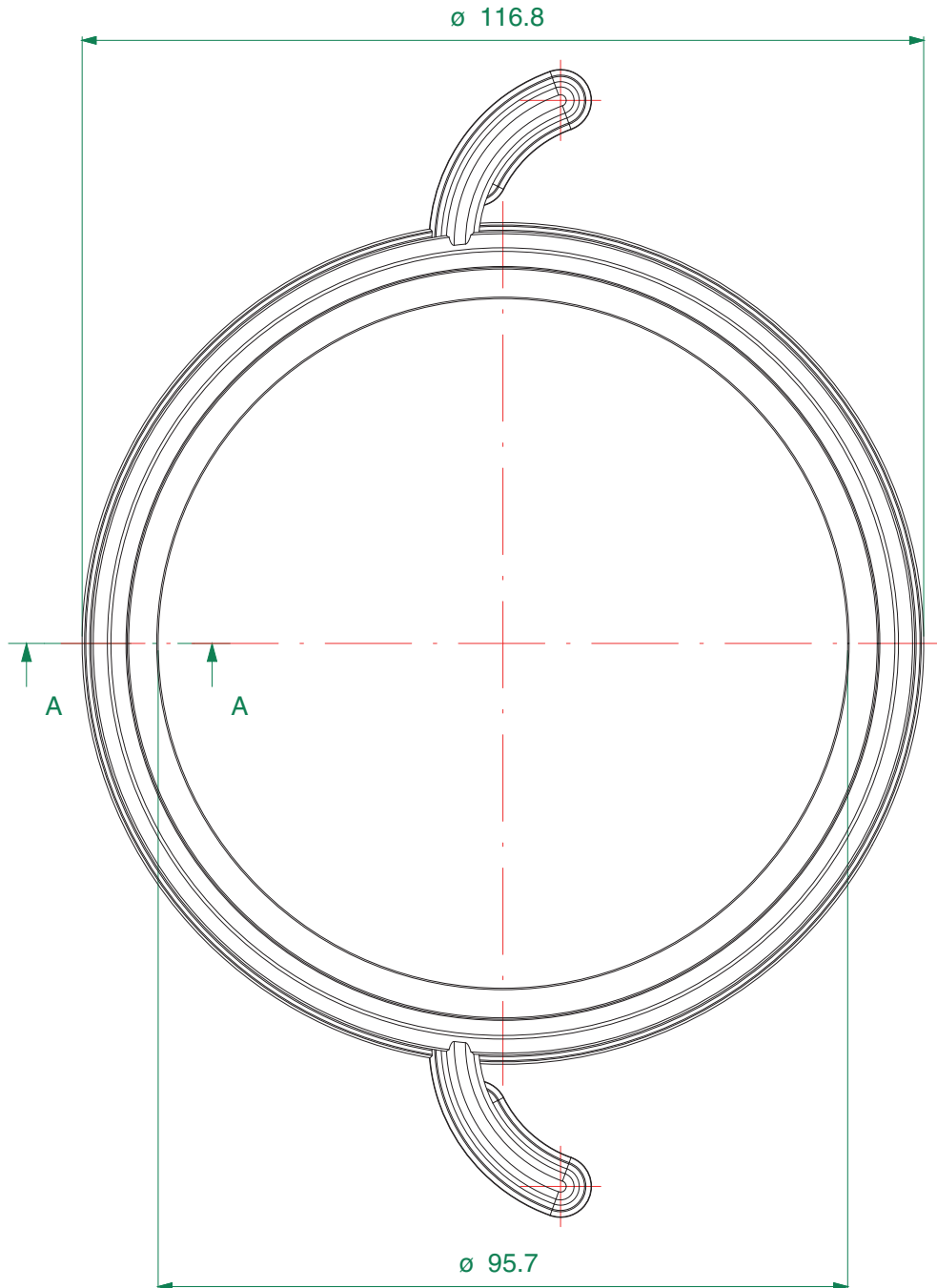
EXCHANGERS

ECHANGEURS

WÄRMEAUSTAUSCHER

INTERCAMBIADORES

Pos	Orobica Code	Model	Brand	Gasket Type	Q.ty
-	900.0442	H7	ALFA LAVAL	PORT RING FOR STEEL CONNECTION	-



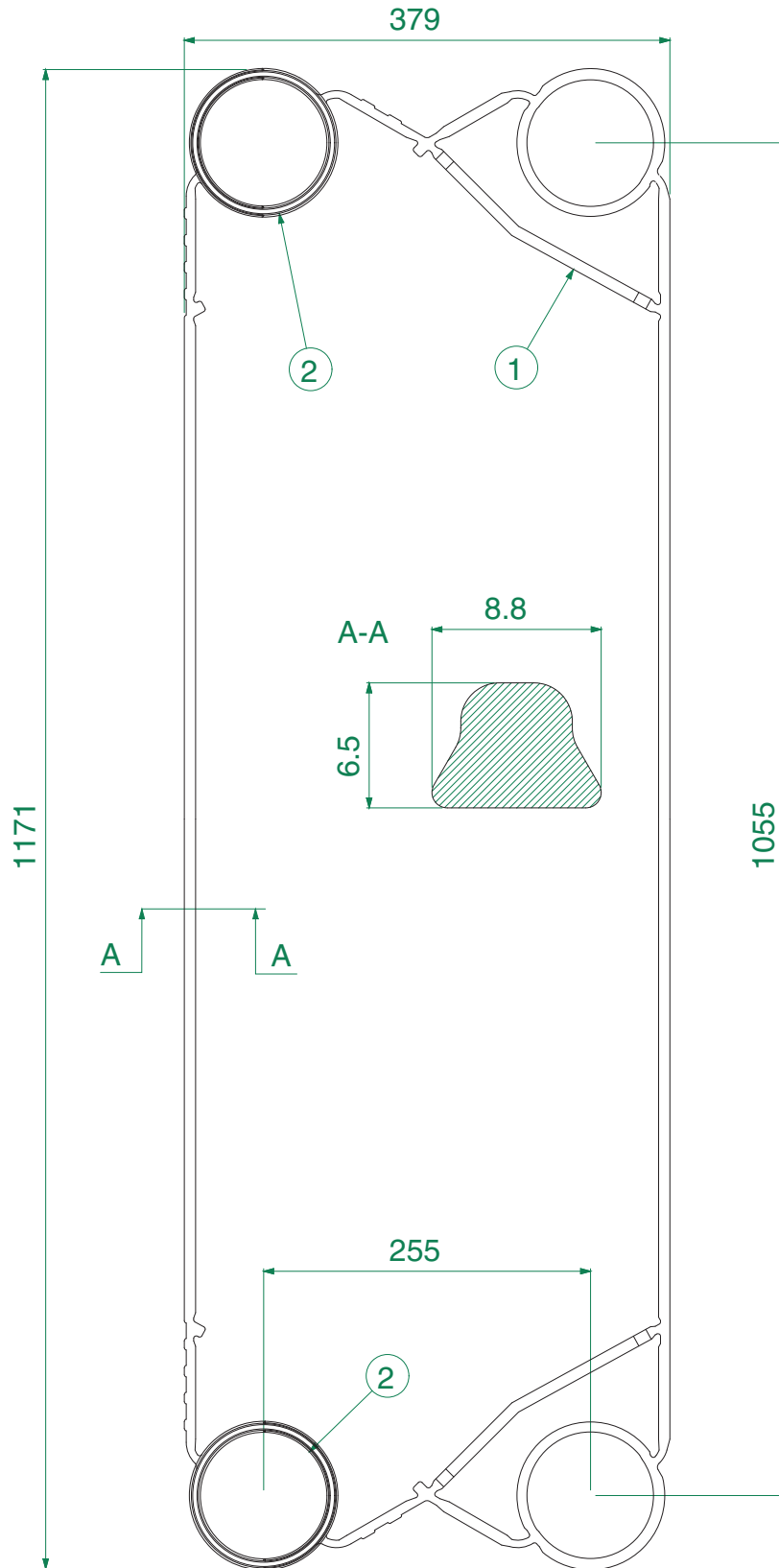
EXCHANGERS

ECHANGEURS

WÄRMEAUSTAUSCHER

INTERCAMBIADORES

Pos	Orobica Code	Model	Brand	Gasket Type	Q.ty
-	900.0262	H7 RC	ALFA LAVAL	ENDPLATE GASKET FOR RC FRAME	1
1	900.0100	H7 RC	ALFA LAVAL	CHANNELPLATE GASKET	1
2	900.0259	H7 RC	ALFA LAVAL	RING GASKET FOR RC FRAME	2



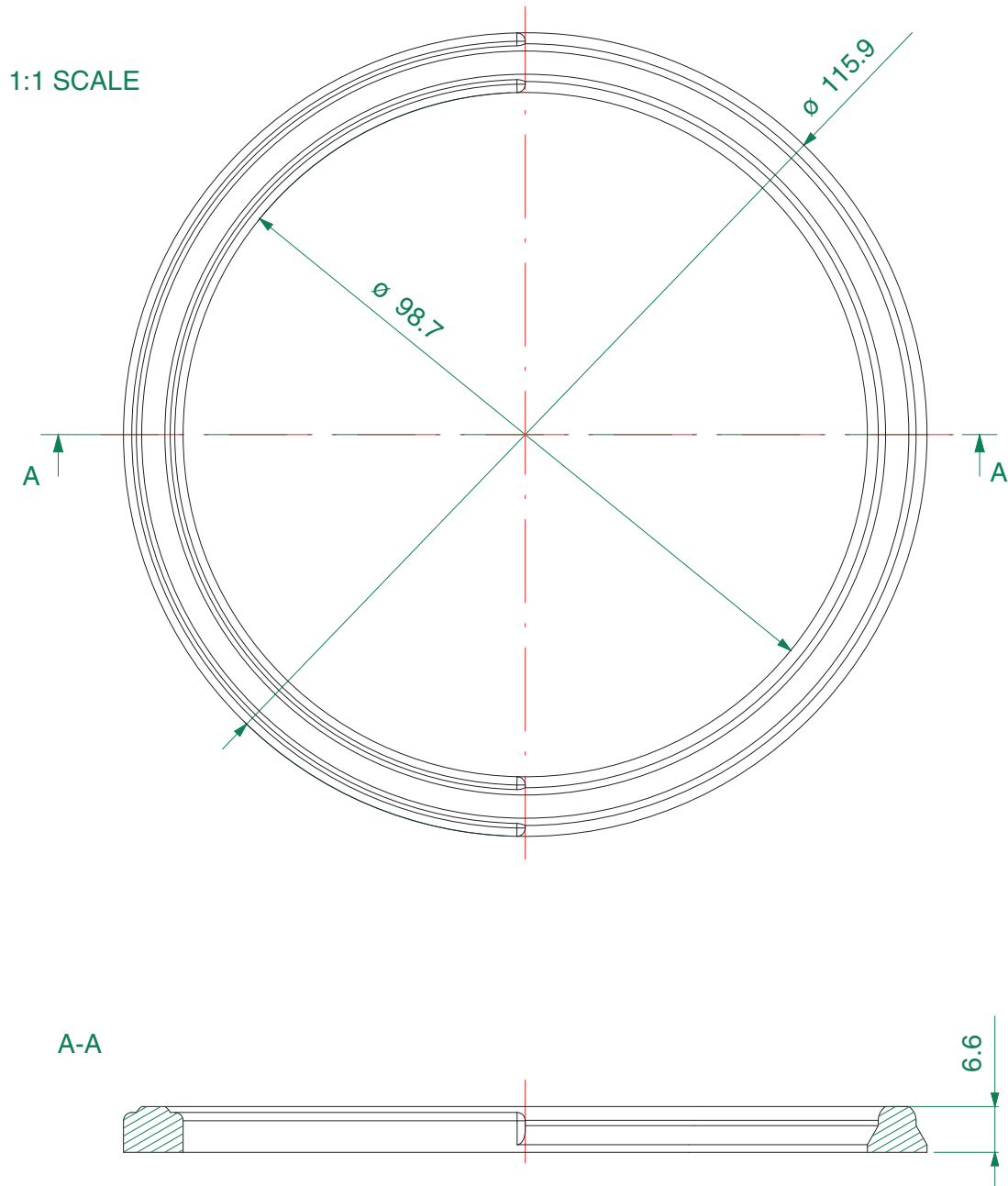
EXCHANGERS

ECHANGEURS

WÄRMEAUSTAUSCHER

INTERCAMBIADORES

Pos	Orobica Code	Model	Brand	Gasket Type	Q.ty
-	900.0259	H7 RC	ALFA LAVAL	PORT RING GASKET H=6,6 RC FRAME	-



EXCHANGERS

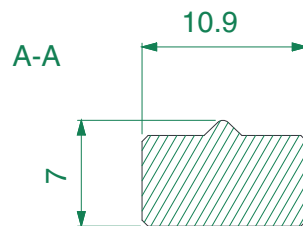
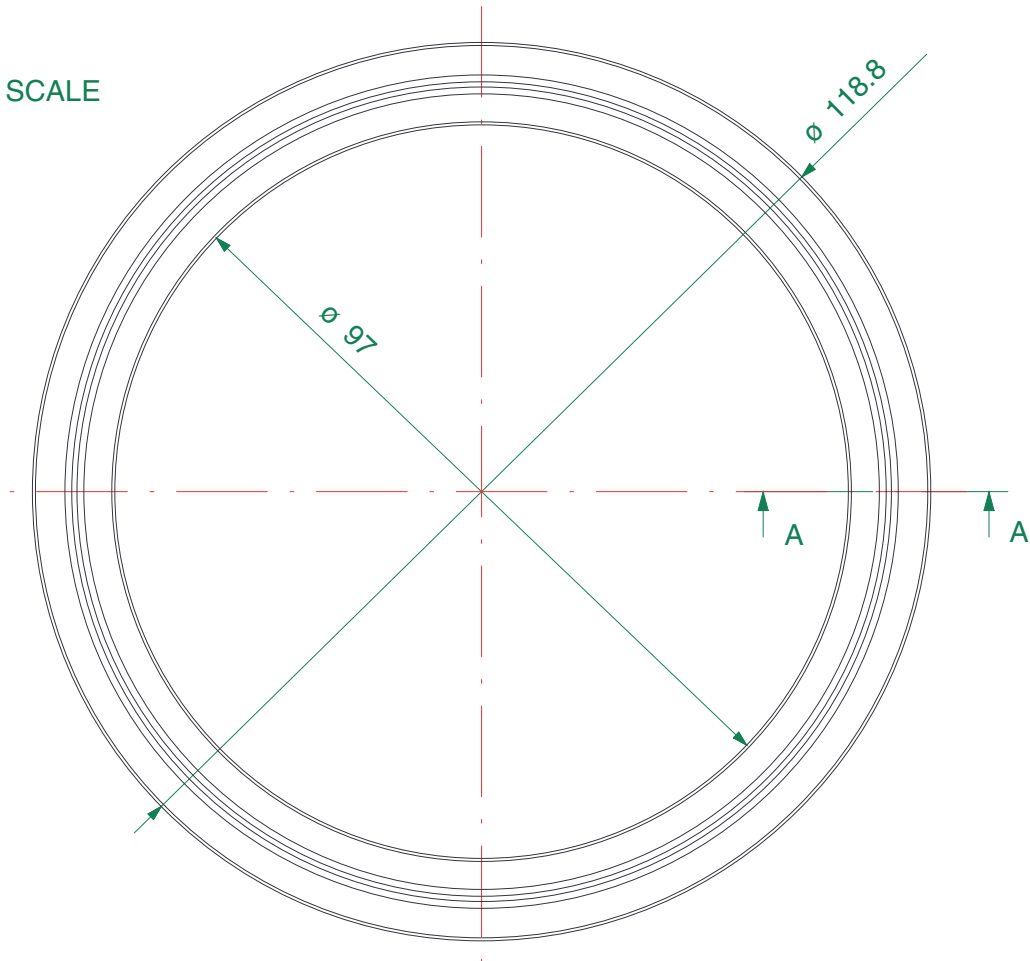
ECHANGEURS

WÄRMEAUSTAUSCHER

INTERCAMBIADORES

Pos	Orobica Code	Model	Brand	Gasket Type	Q.ty
-	900.0225	CLIP 8-H7FMC	ALFA LAVAL	CONNECTION RING GASKET	-

1:1 SCALE



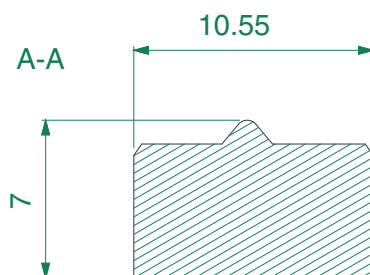
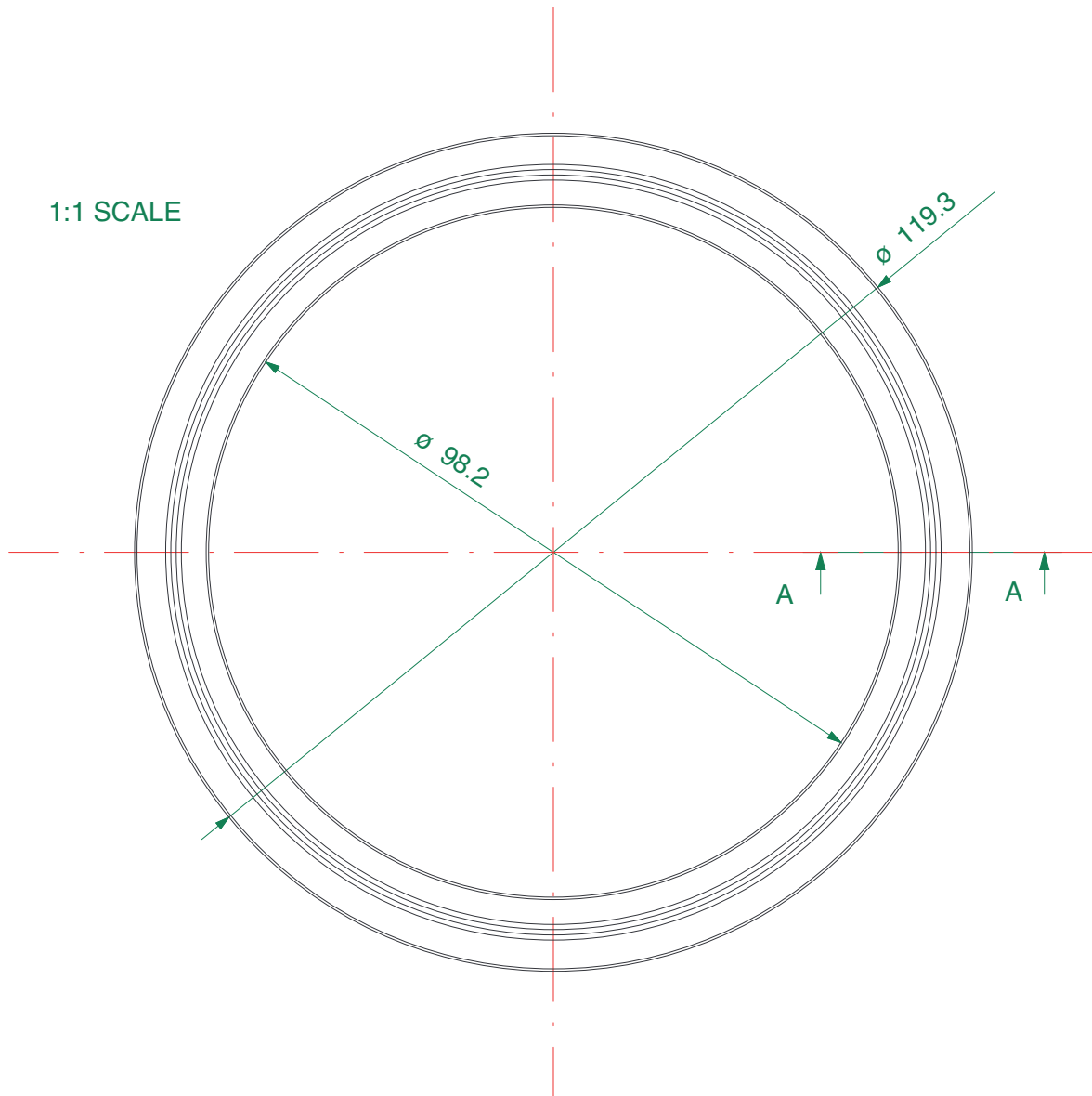
EXCHANGERS

ECHANGEURS

WÄRMEAUSTAUSCHER

INTERCAMBIADORES

Pos	Orobica Code	Model	Brand	Gasket Type	Q.ty
-	900.0260	H7 FMC-CLIP8	ALFA LAVAL	PORT RING GASKET H=7 FMC FRAME	-



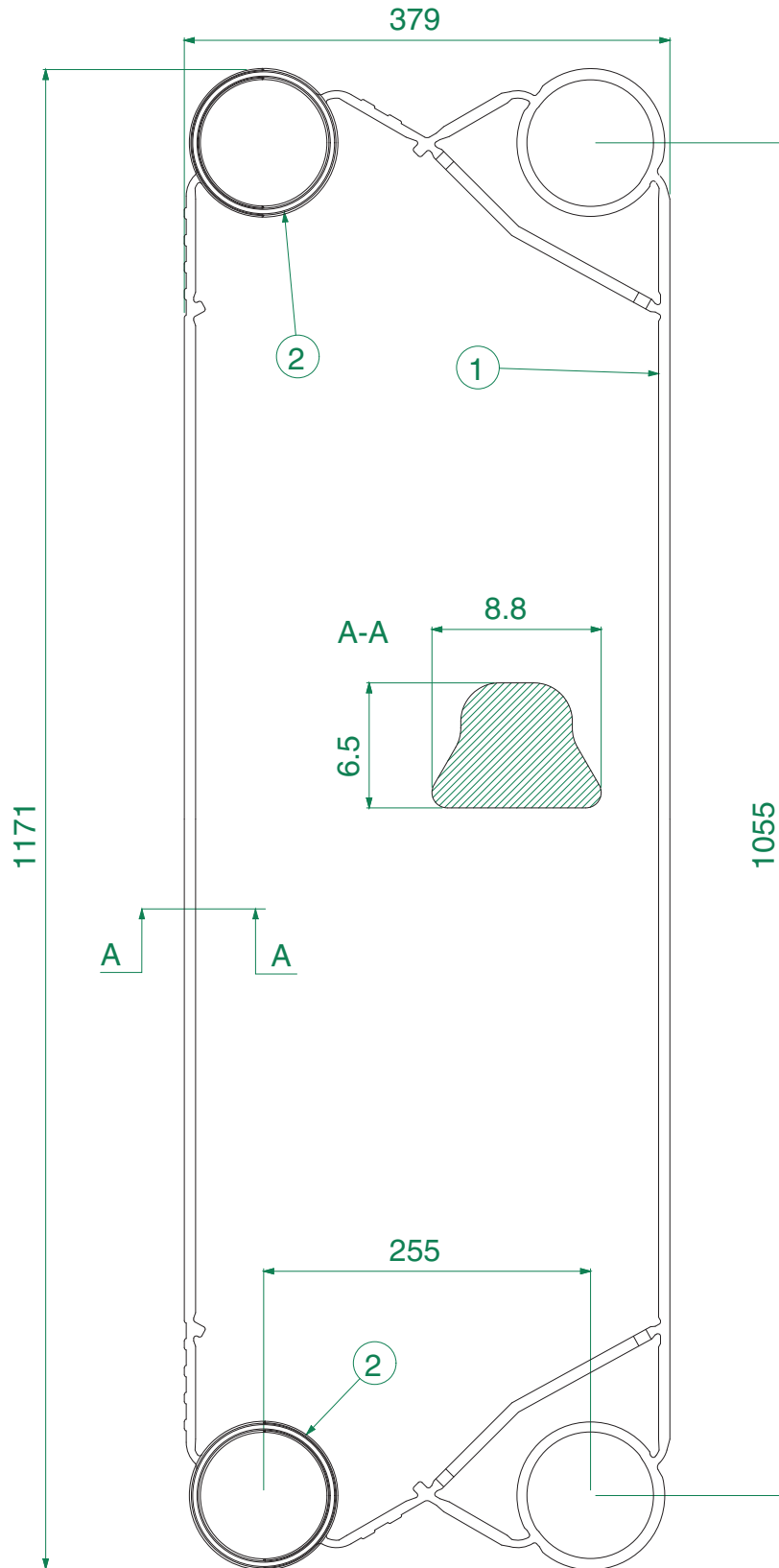
EXCHANGERS

ECHANGEURS

WÄRMEAUSTAUSCHER

INTERCAMBIADORES

Pos	Orobica Code	Model	Brand	Gasket Type	Q.ty
-	900.0450	H7 FMC	ALFA LAVAL	ENDPLATE GASKET FOR FMC FRAME	1
1	900.0100	H7 FMC	ALFA LAVAL	CHANNELPLATE GASKET	1
2	900.0260	H7 FMC	ALFA LAVAL	RING GASKET FOR FMC FRAME	2



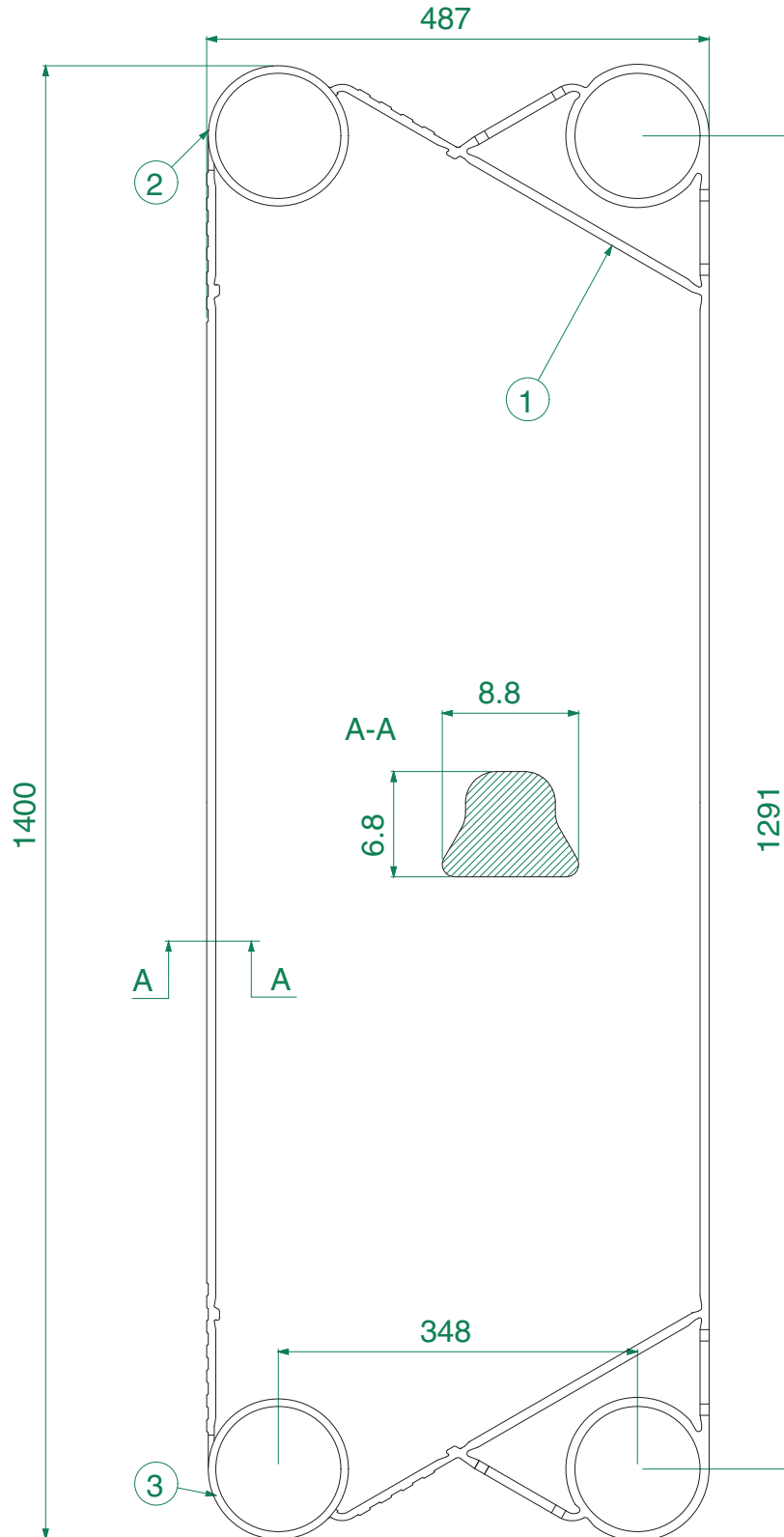
EXCHANGERS

ECHANGEURS

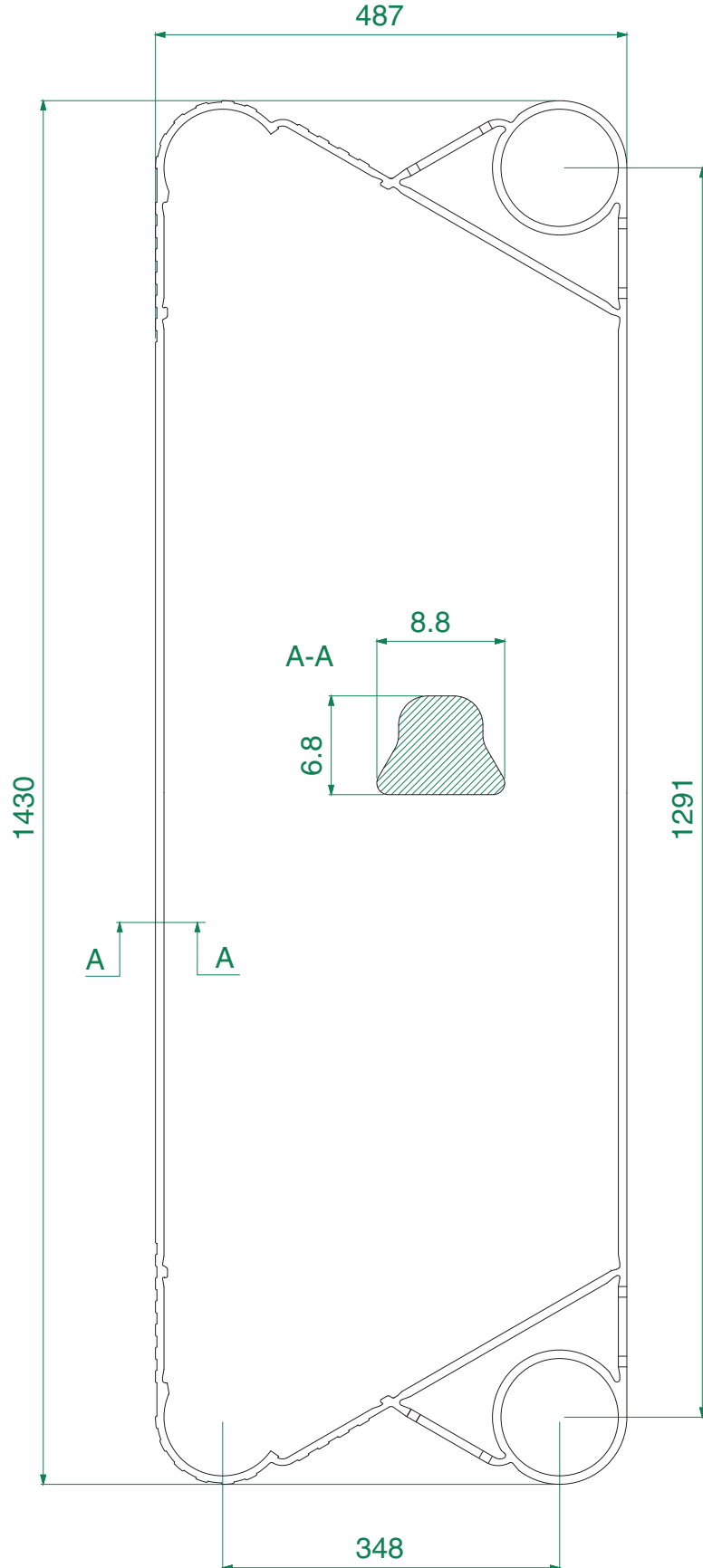
WÄRMEAUSTAUSCHER

INTERCAMBIADORES

Pos	Orobica Code	Model	Brand	Gasket Type	Q.ty
-	900.0443	H10	ALFA LAVAL	ENDPLATE GASKET	1
1	900.0044	H10	ALFA LAVAL	CHANNELPLATE GASKET	1
2	900.0440	H10	ALFA LAVAL	GASKET HEAD 1 ENDPLATE	1
3	900.0441	H10	ALFA LAVAL	GASKET HEAD 2 ENDPLATE	1



Pos	Orobica Code	Model	Brand	Gasket Type	Q.ty
-	900.0044	H10	ALFA LAVAL	CHANNELPLATE GASKET	-



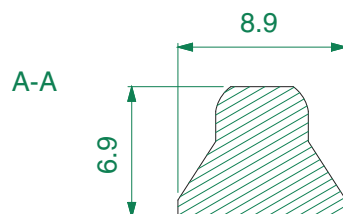
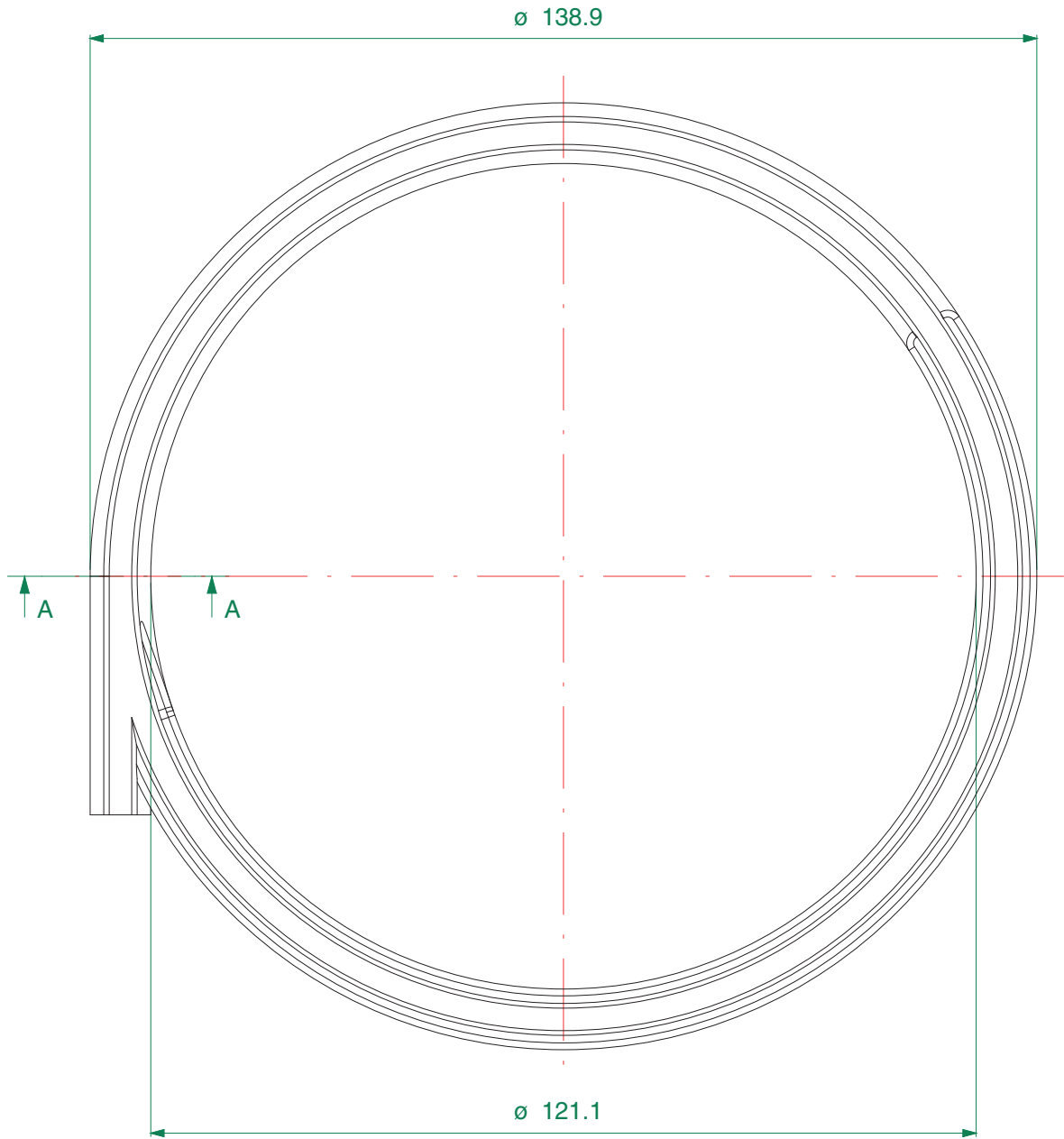
EXCHANGERS

ECHANGEURS

WÄRMEAUSTAUSCHER

INTERCAMBIADORES

Pos	Orobica Code	Model	Brand	Gasket Type	Q.ty
-	900.0440	H10	ALFA LAVAL	GASKET HEAD1 ENDPLATE	-



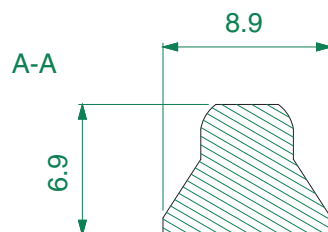
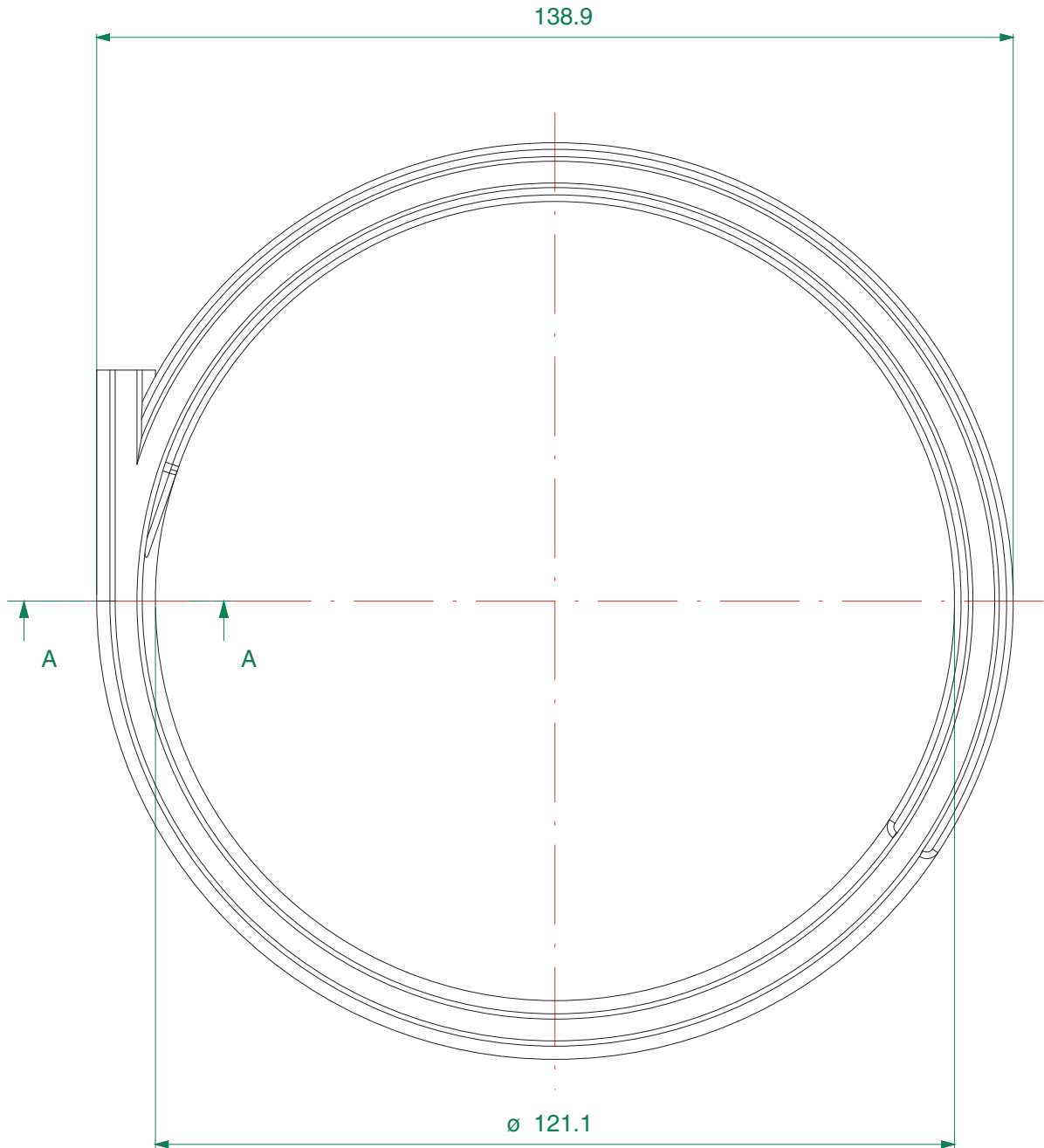
EXCHANGERS

ECHANGEURS

WÄRMEAUSTAUSCHER

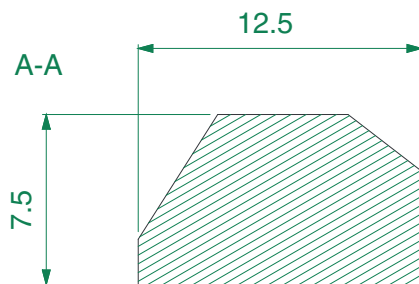
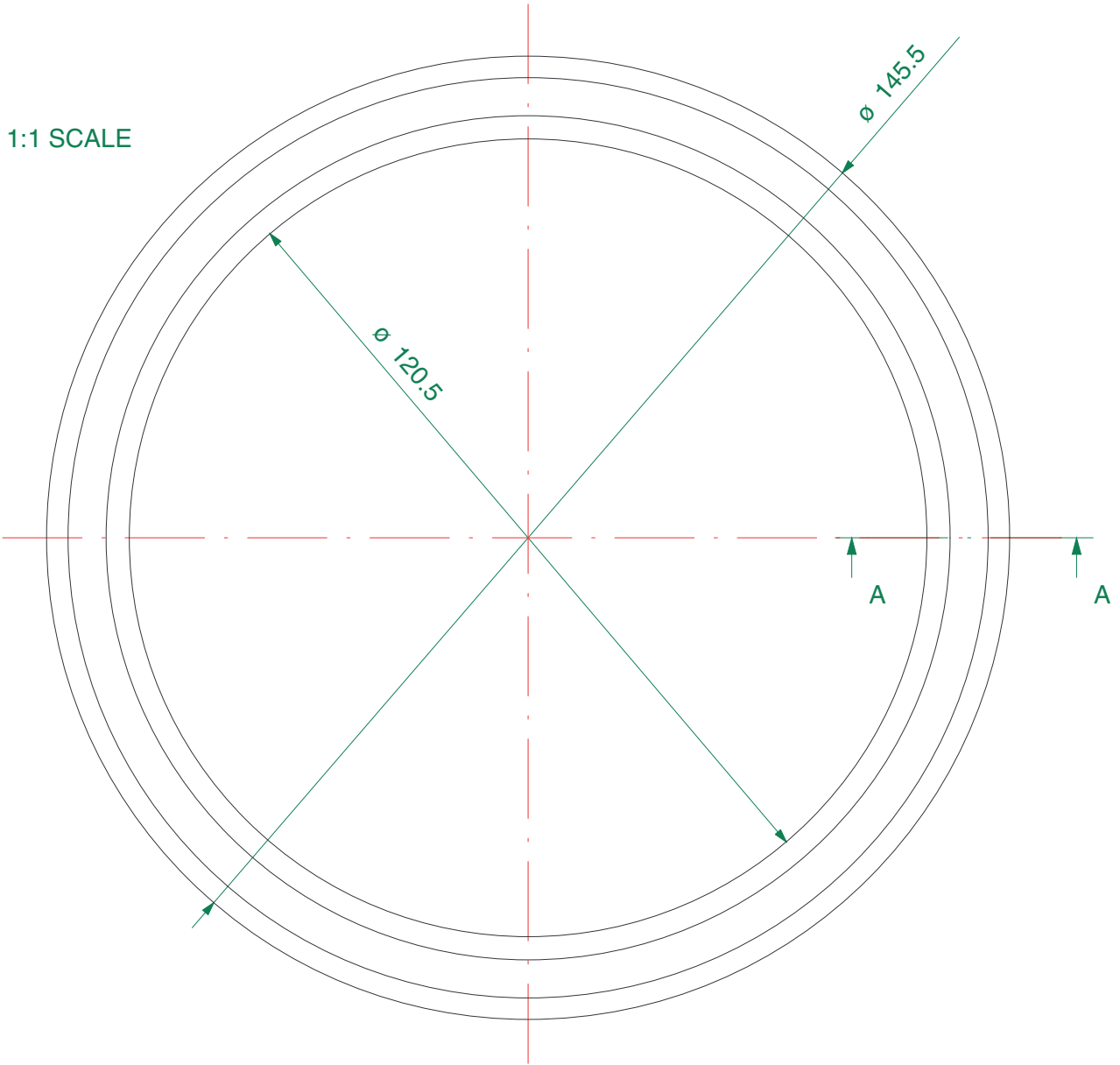
INTERCAMBIADORES

Pos	Orobica Code	Model	Brand	Gasket Type	Q.ty
-	900.0441	H10	ALFA LAVAL	GASKET HEAD 2 ENDPLATE	-



Pos	Orobica Code	Model	Brand	Gasket Type	Q.ty
-	900.0046	H10-CLIP10	ALFA LAVAL	PORT RING GASKET H=7,5	-

1:1 SCALE



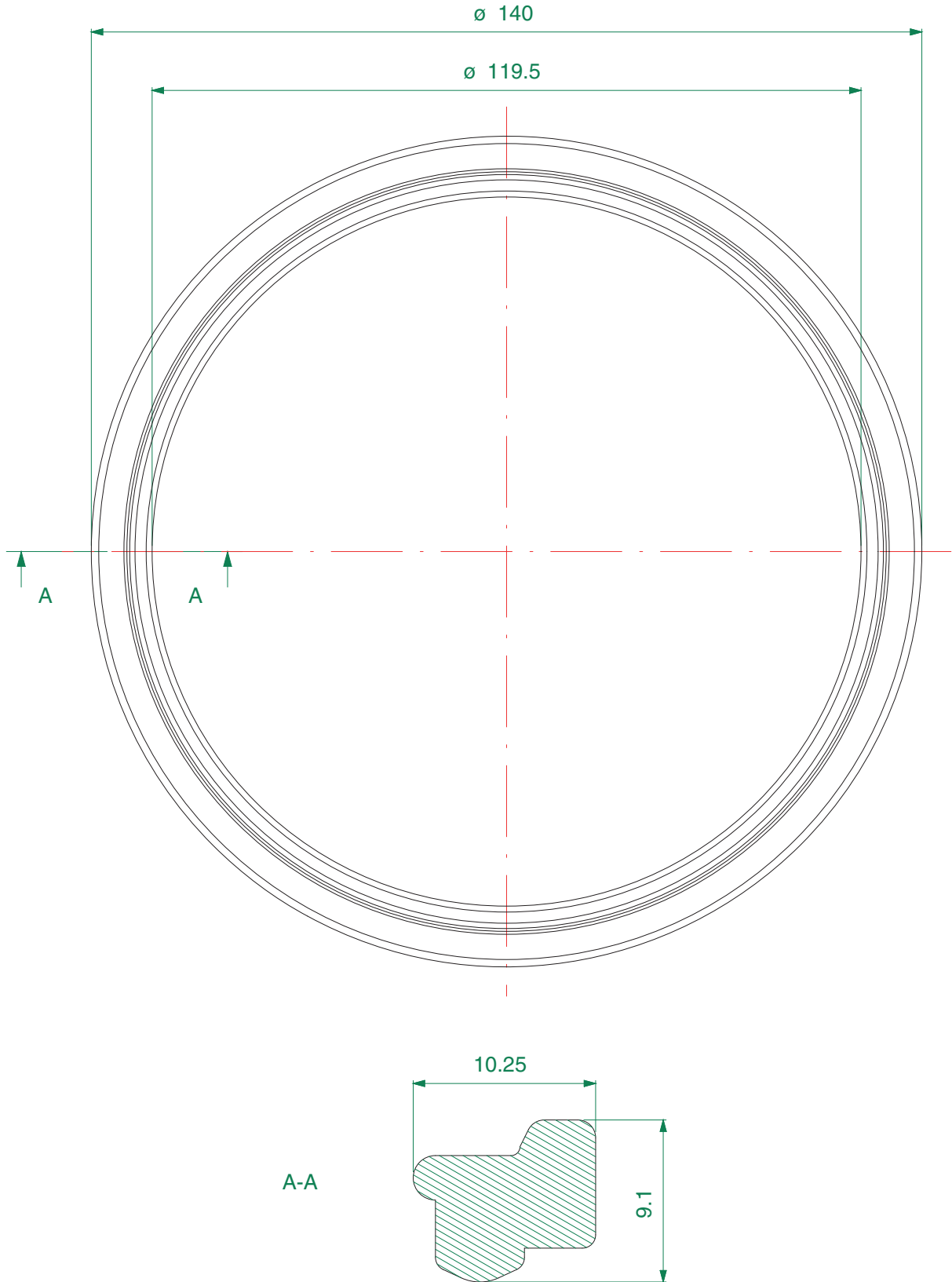
EXCHANGERS

ECHANGEURS

WÄRMEAUSTAUSCHER

INTERCAMBIADORES

Pos	Orobica Code	Model	Brand	Gasket Type	Q.ty
-	900.0192	H10	ALFA LAVAL	PORT RING	-



EXCHANGERS

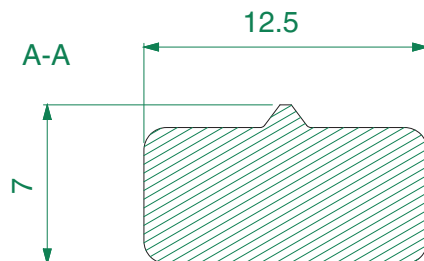
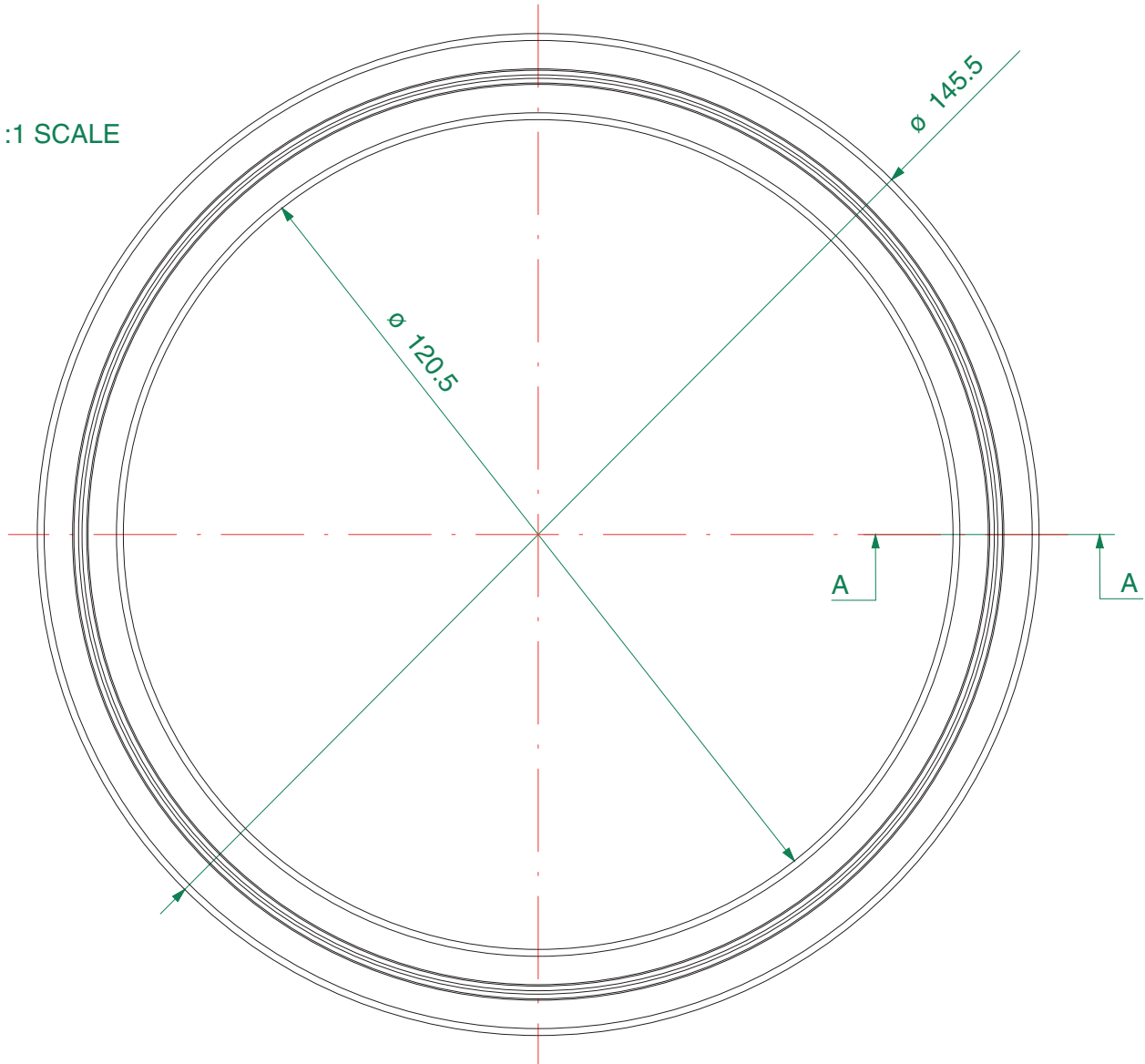
ECHANGEURS

WÄRMEAUSTAUSCHER

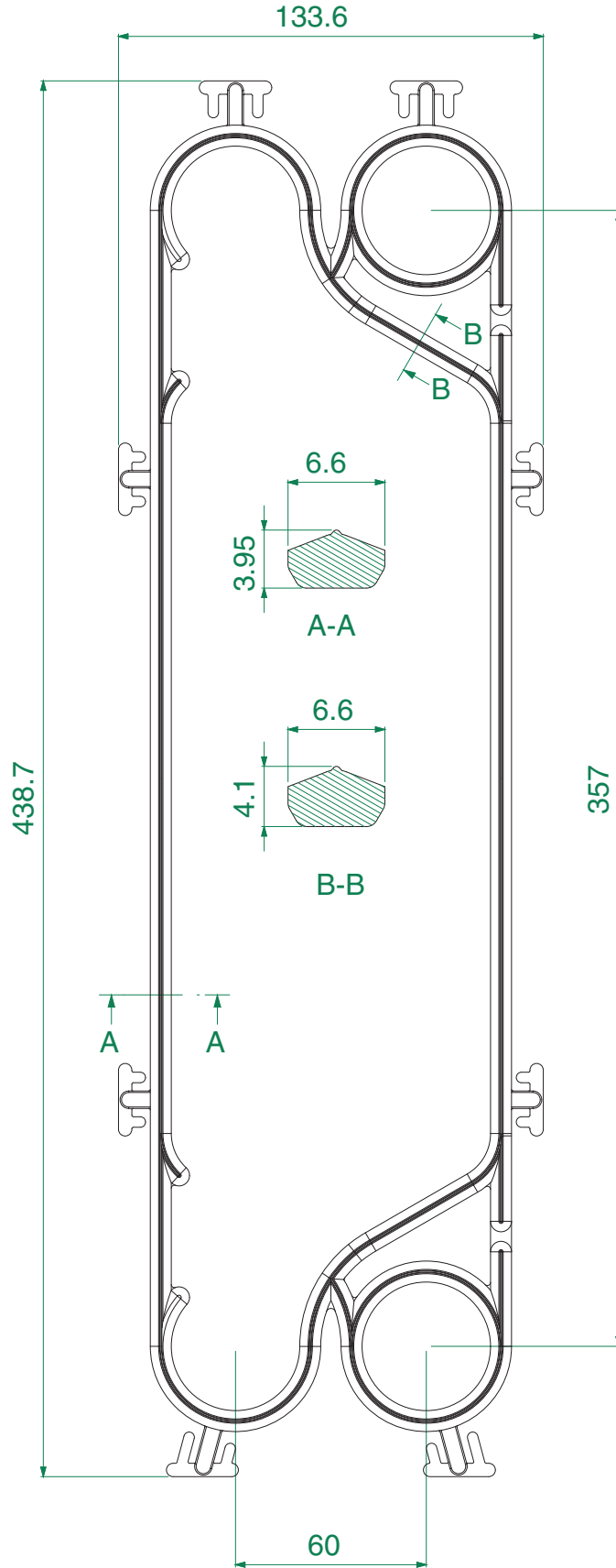
INTERCAMBIADORES

Pos	Orobica Code	Model	Brand	Gasket Type	Q.ty
-	900.0045	H10-CLIP10-AM10	ALFA LAVAL	PORT RING GASKET H=7,0	-

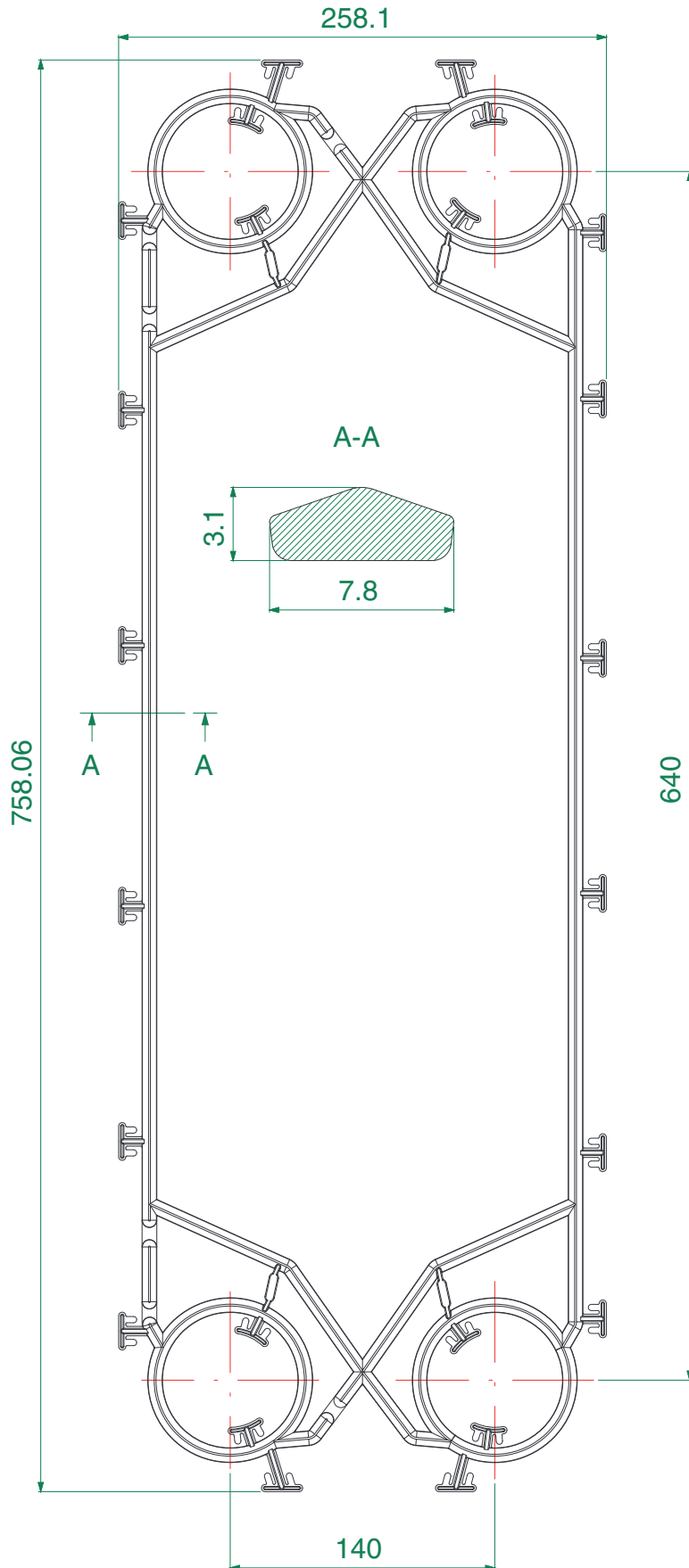
1:1 SCALE



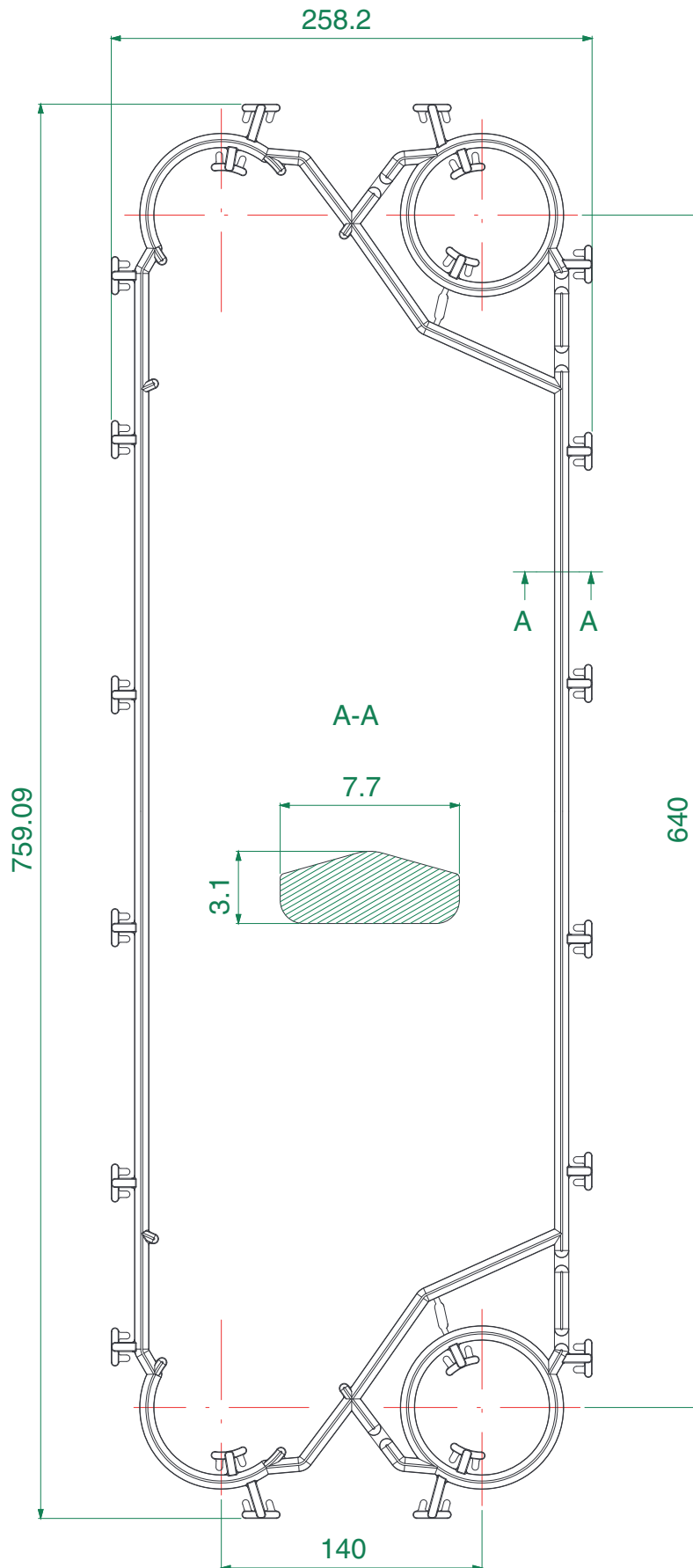
Pos	Orobica Code	Model	Brand	Gasket Type	Q.ty
-	900.0375	M3	ALFA LAVAL	CLIP-ON CHANNELPLATE GASKET	-



Pos	Orobica Code	Model	Brand	Gasket Type	Q.ty
-	900.0364	M6	ALFA LAVAL	CLIP-ON ENDPLATE GASKET	-



Pos	Orobica Code	Model	Brand	Gasket Type	Q.ty
-	900.0363	M6	ALFA LAVAL	CLIP-ON CHANNELPLATE GASKET	-



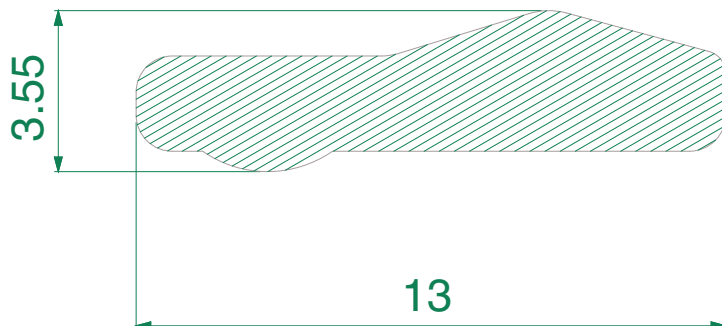
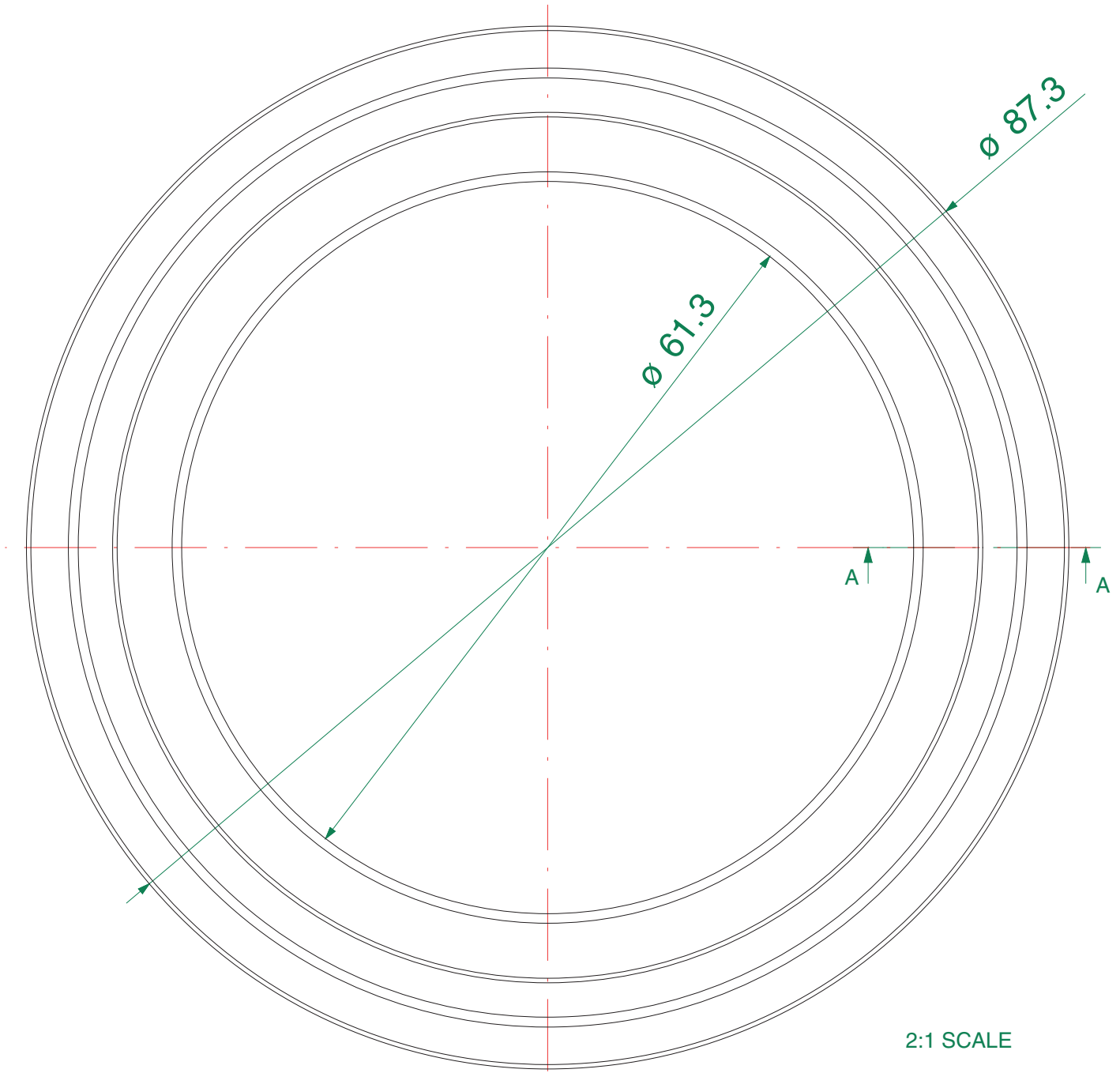
EXCHANGERS

ECHANGEURS

WÄRMEAUSTAUSCHER

INTERCAMBIADORES

Pos	Orobica Code	Model	Brand	Gasket Type	Q.ty
-	900.0365	M6	ALFA LAVAL	Port-ring gasket H=3.55	-



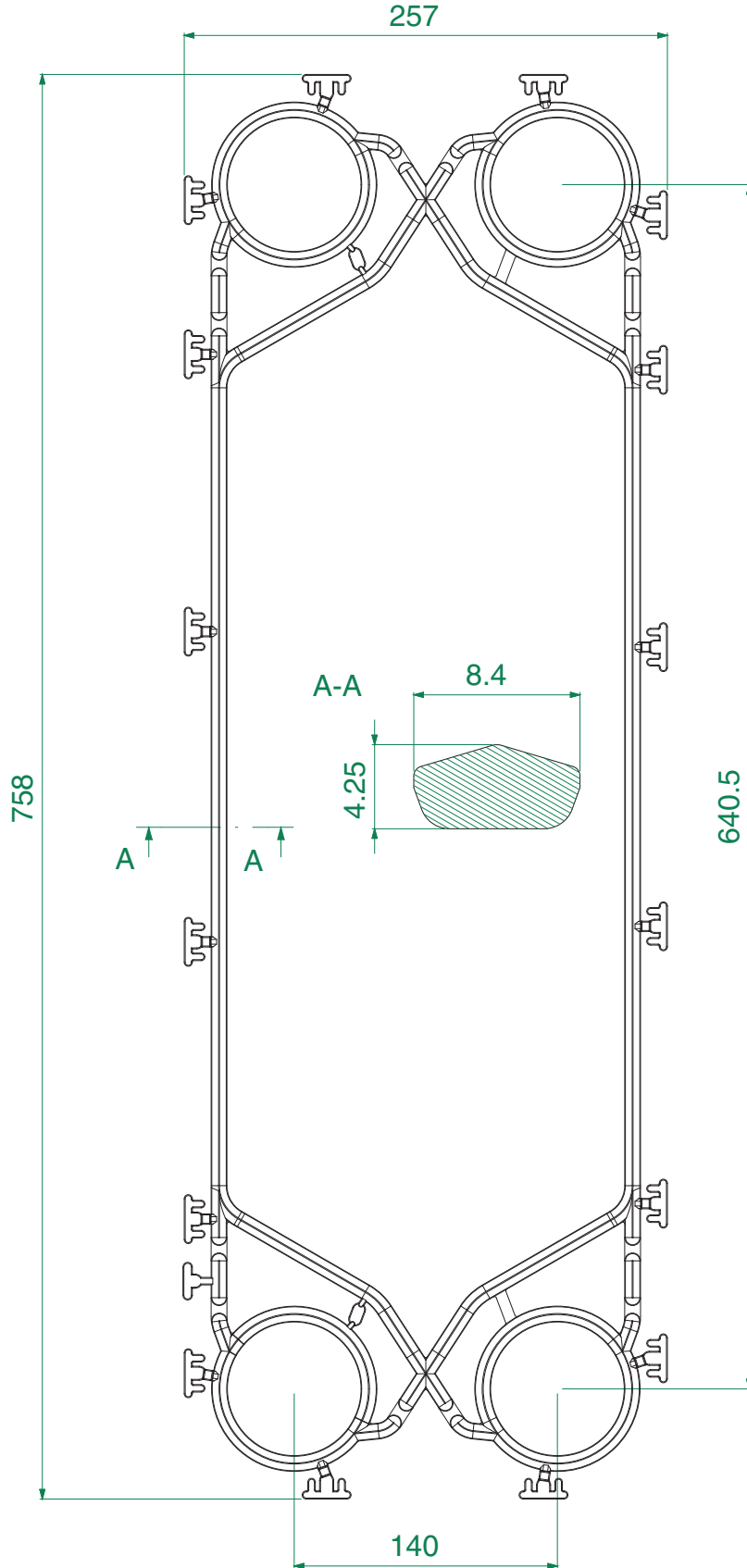
EXCHANGERS

ECHANGEURS

WÄRMEAUSTAUSCHER

INTERCAMBIADORES

Pos	Orobica Code	Model	Brand	Gasket Type	Q.ty
-	900.0098	M6M	ALFA LAVAL	CLIP-ON ENDPLATE GASKET	-



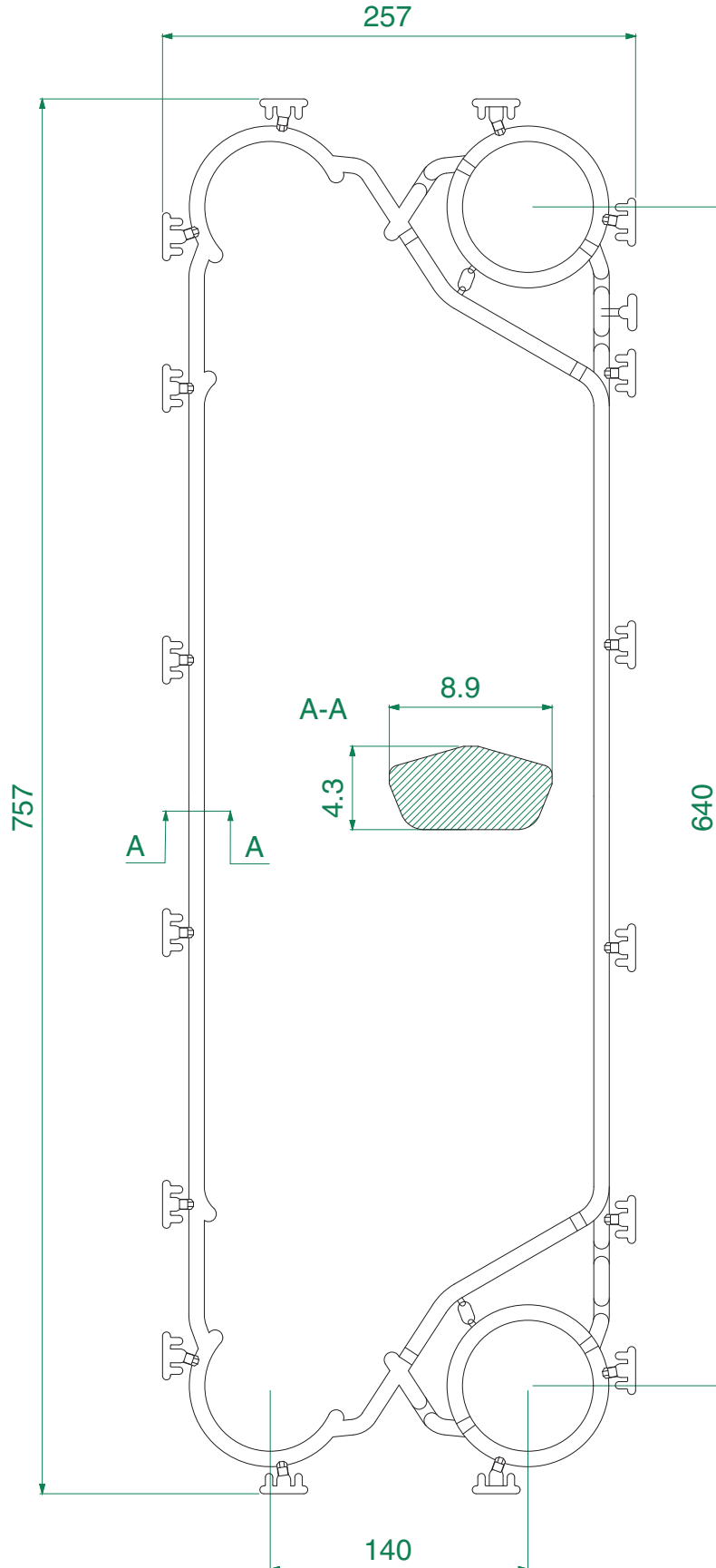
EXCHANGERS

ECHANGEURS

WÄRMEAUSTAUSCHER

INTERCAMBIADORES

Pos	Orobica Code	Model	Brand	Gasket Type	Q.ty
-	900.0097	M6M	ALFA LAVAL	CLIP-ON CHANNELPLATE GASKET	-



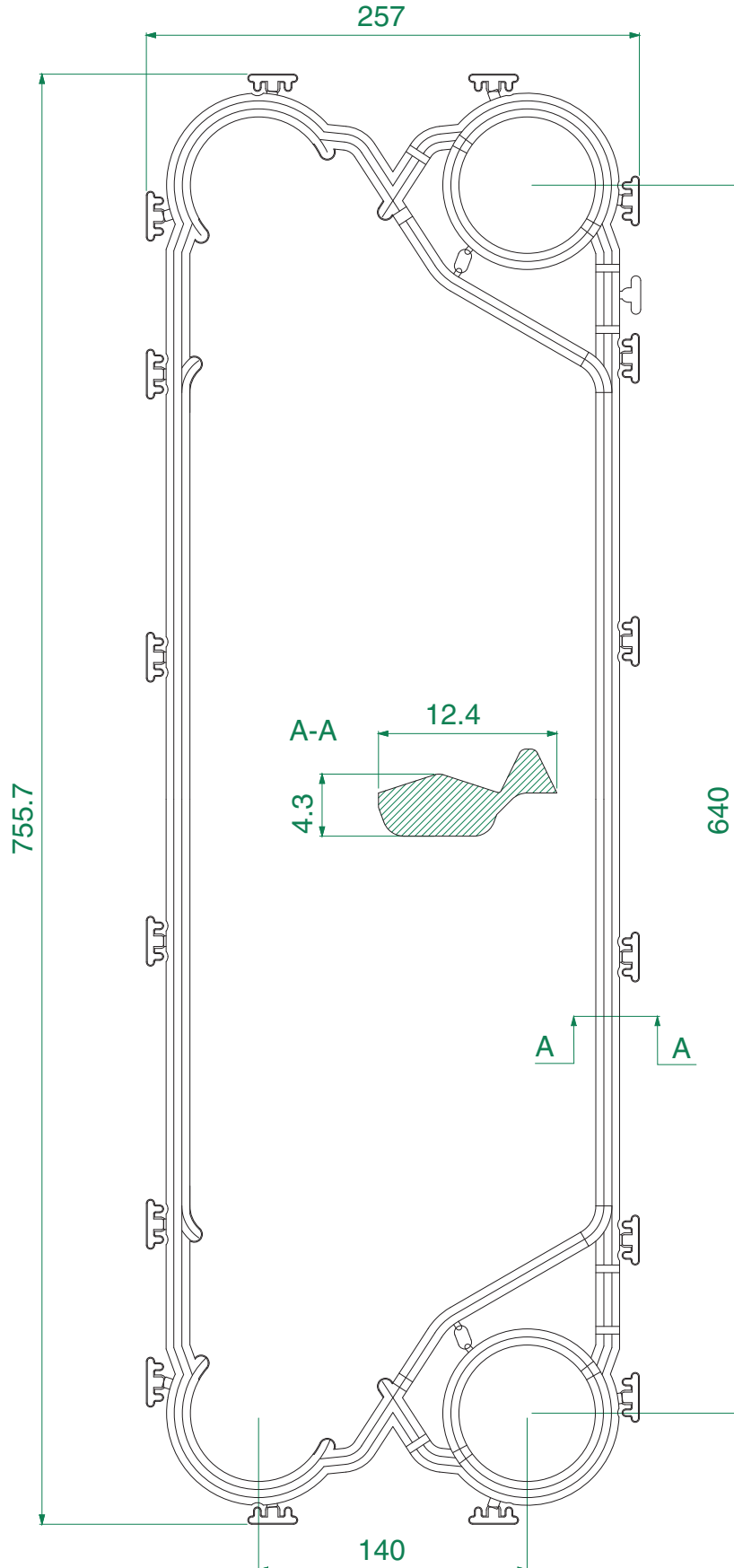
EXCHANGERS

ECHANGEURS

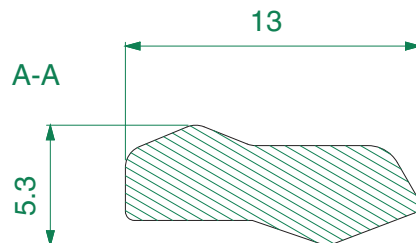
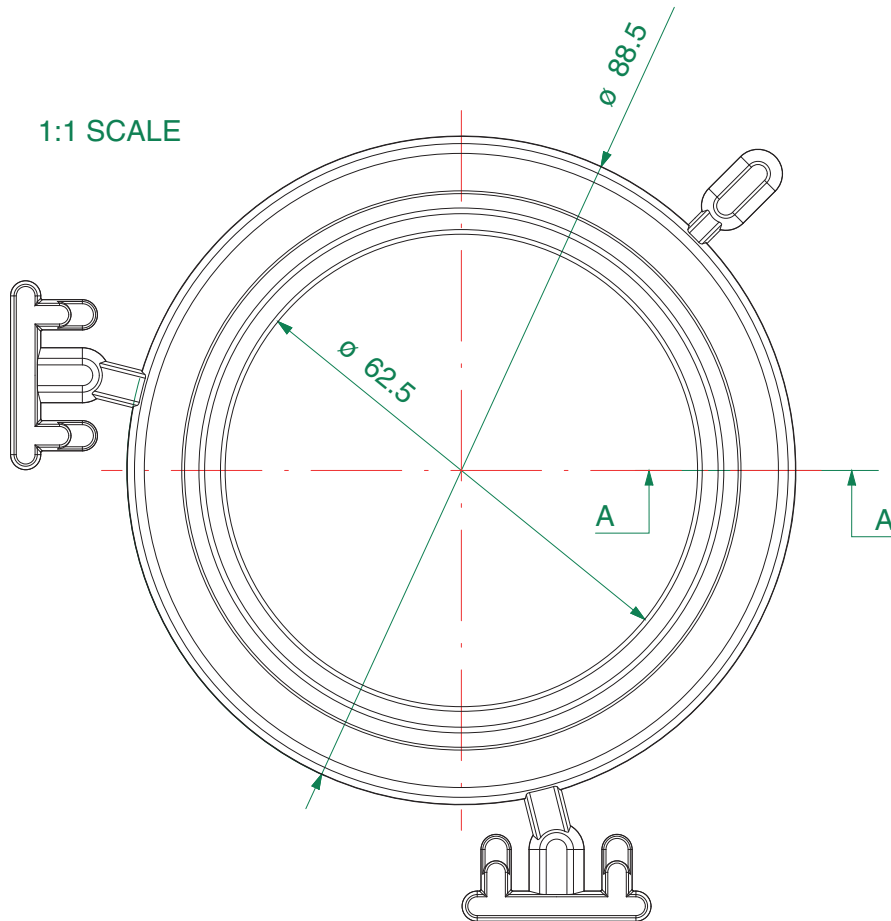
WÄRMEAUSTAUSCHER

INTERCAMBIADORES

Pos	Orobica Code	Model	Brand	Gasket Type	Q.ty
-	900.0202	M6M LIP	ALFA LAVAL	LIP CLIP-ON CHANNELPLATE GASKET	-



Pos	Orobica Code	Model	Brand	Gasket Type	Q.ty
-	900.0221	M6M	ALFA LAVAL	CLIP-ON RING GASKET	-



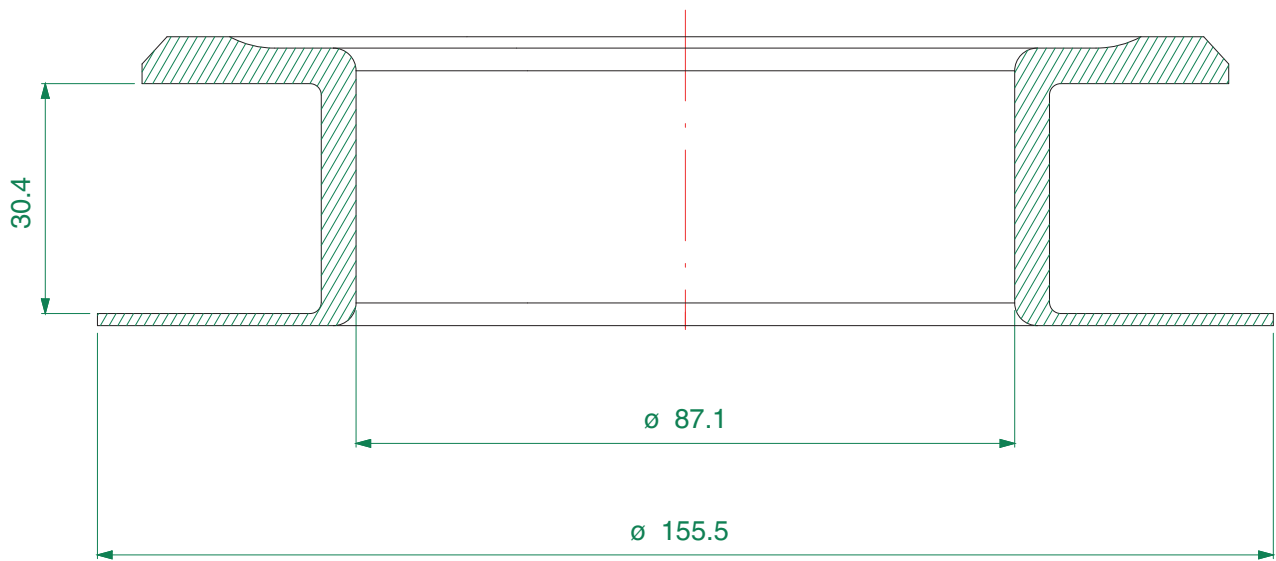
EXCHANGERS

ECHANGEURS

WÄRMEAUSTAUSCHER

INTERCAMBIADORES

Pos	Orobica Code	Model	Brand	Gasket Type	Q.ty
-	900.0470	M10	ALFA LAVAL	Manichetta H=30mm	-



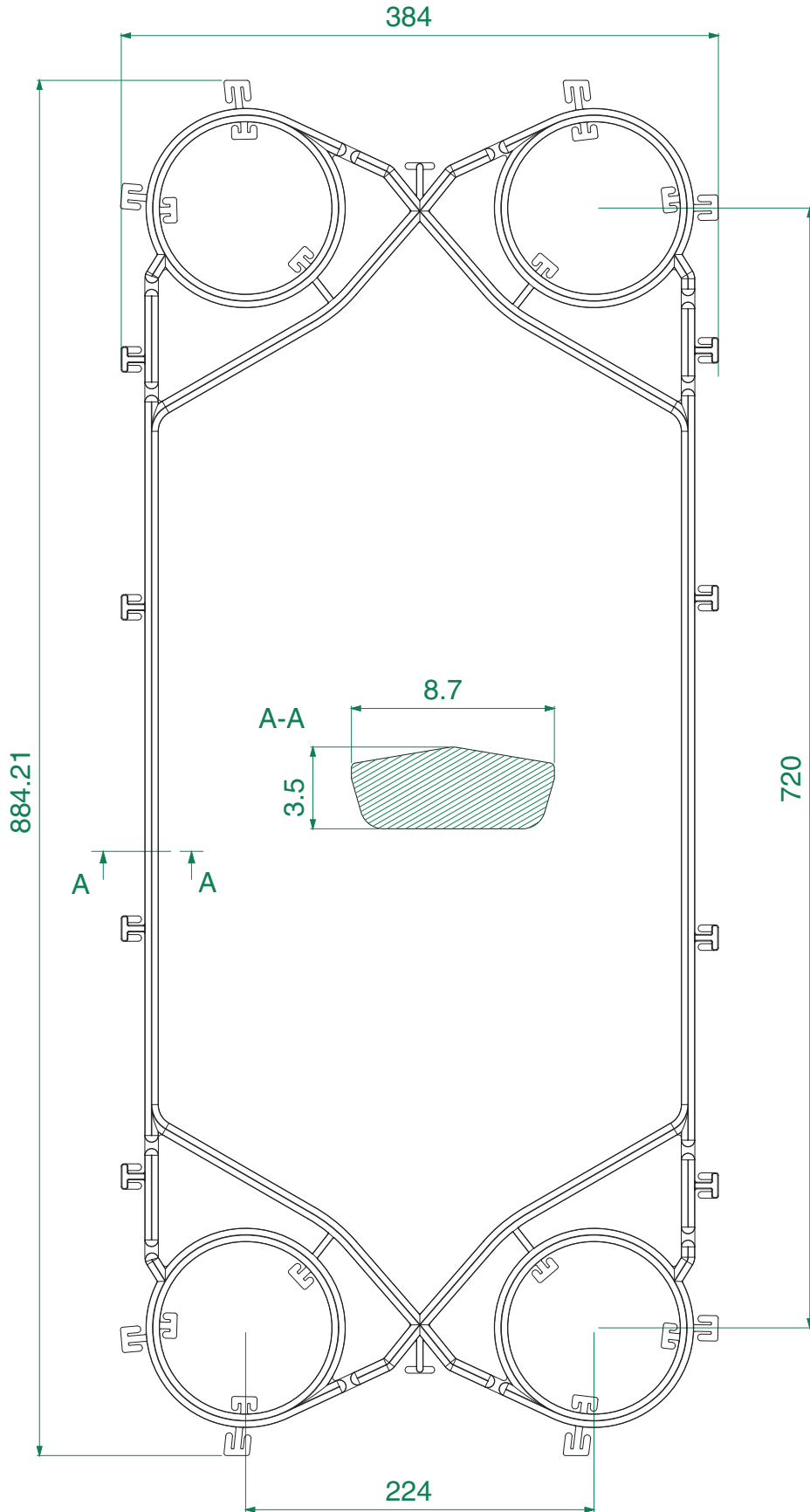
EXCHANGERS

ECHANGEURS

WÄRMEAUSTAUSCHER

INTERCAMBIADORES

Pos	Orobica Code	Model	Brand	Gasket Type	Q.ty
-	900.0222	M10B	ALFA LAVAL	CLIP-ON ENDPLATE GASKET	-



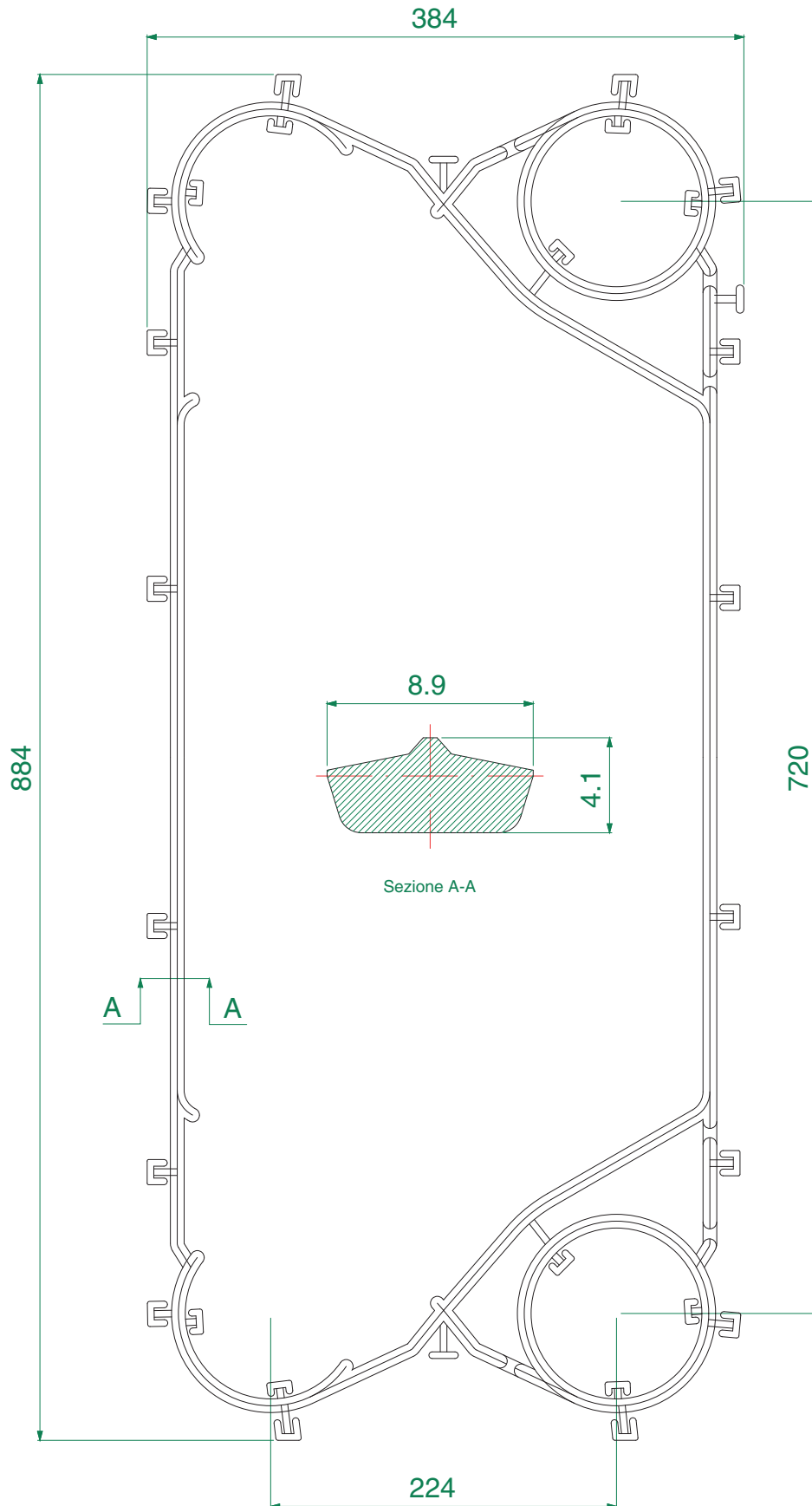
EXCHANGERS

ECHANGEURS

WÄRMEAUSTAUSCHER

INTERCAMBIADORES

Pos	Orobica Code	Model	Brand	Gasket Type	Q.ty
-	900.0512	M10B	ALFA LAVAL	CLIP-ON CHANNELPLATE RIB	-



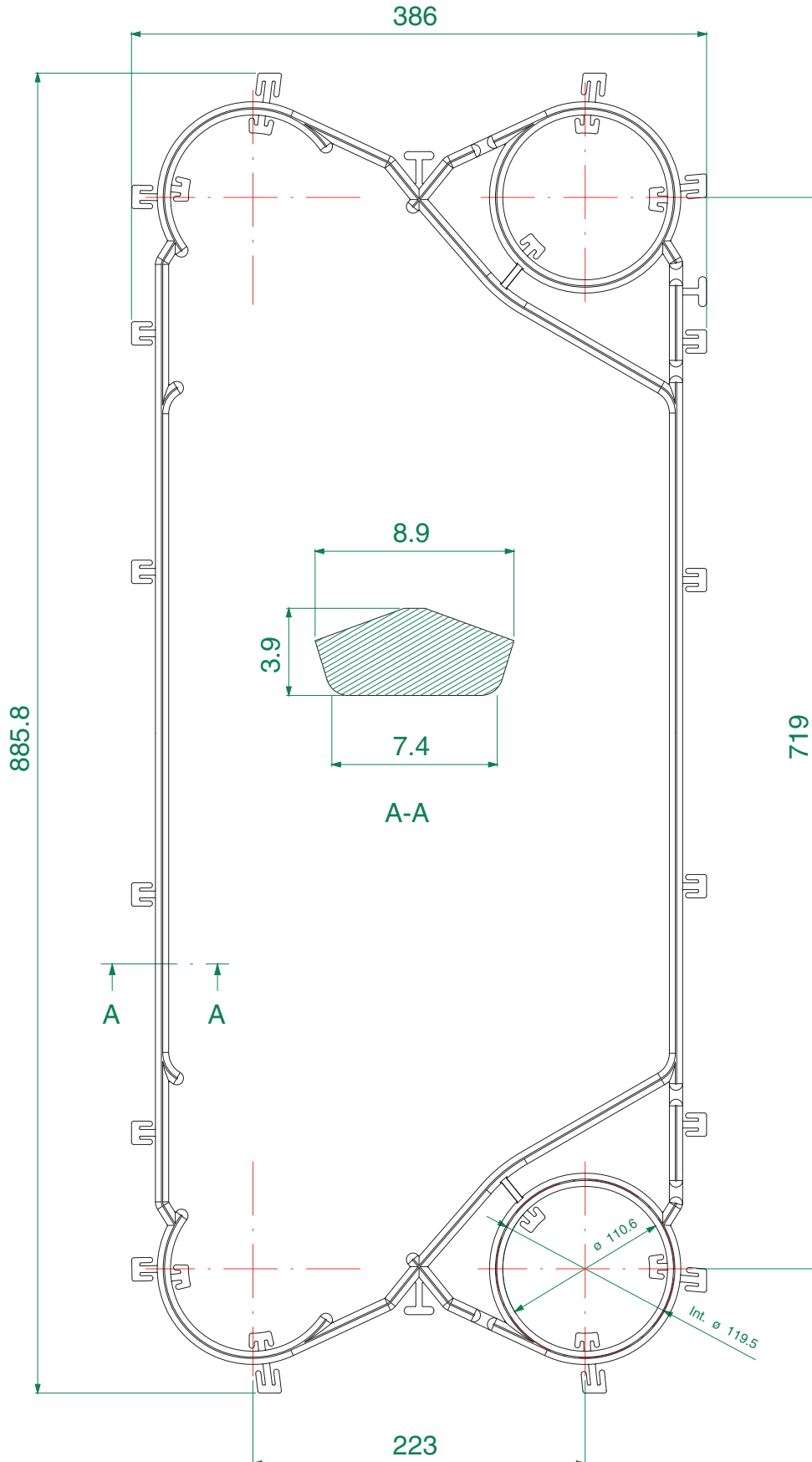
EXCHANGERS

ECHANGEURS

WÄRMEAUSTAUSCHER

INTERCAMBIADORES

Pos	Orobica Code	Model	Brand	Gasket Type	Q.ty
-	900.0197	M10B	ALFA LAVAL	CLIP-ON CHANNELPLATE GASKET	-



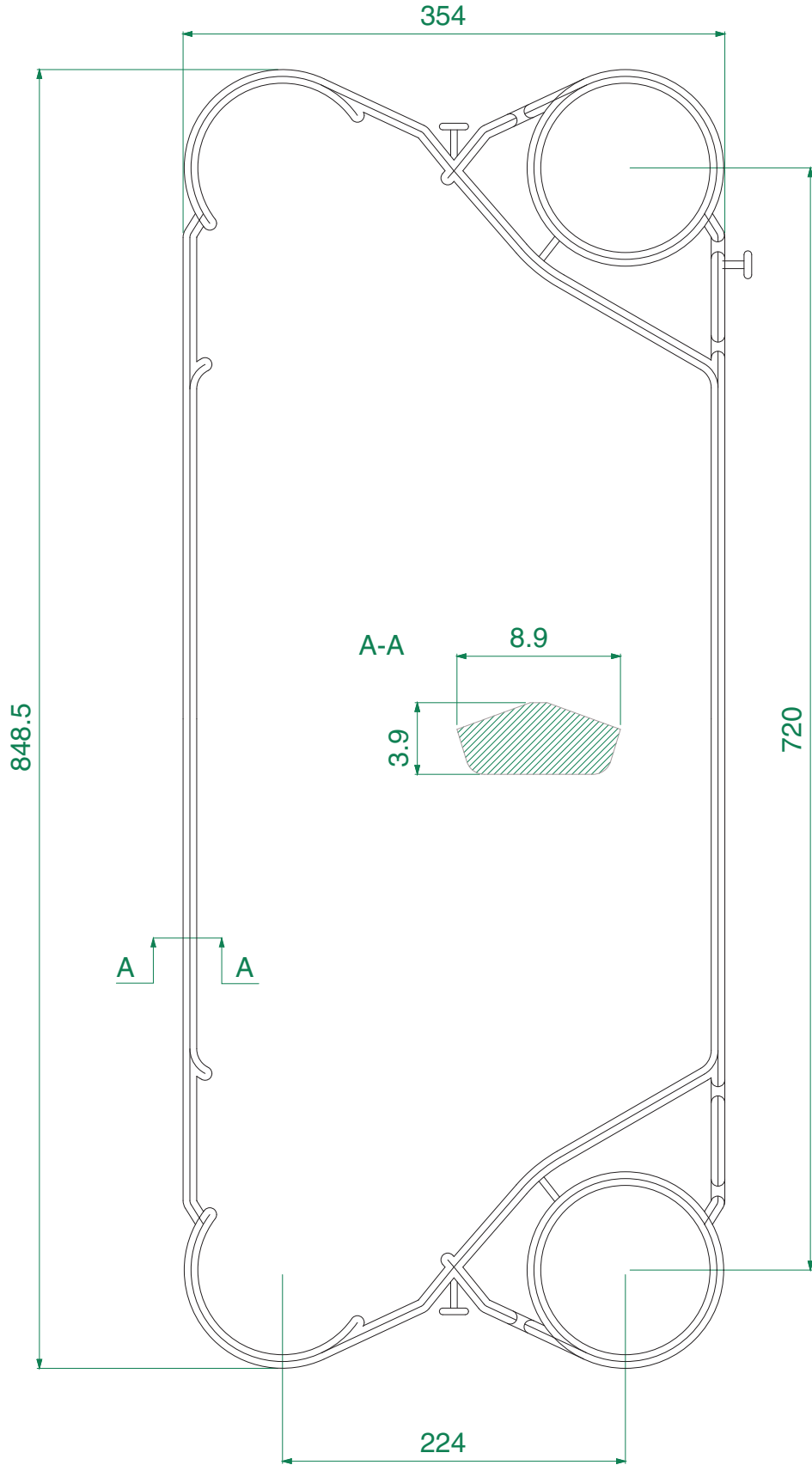
EXCHANGERS

ECHANGEURS

WÄRMEAUSTAUSCHER

INTERCAMBIADORES

Pos	Orobica Code	Model	Brand	Gasket Type	Q.ty
-	900.0391	M10B	ALFA LAVAL	GLUED CHANNEL GASKET	-



EXCHANGERS

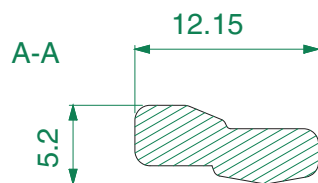
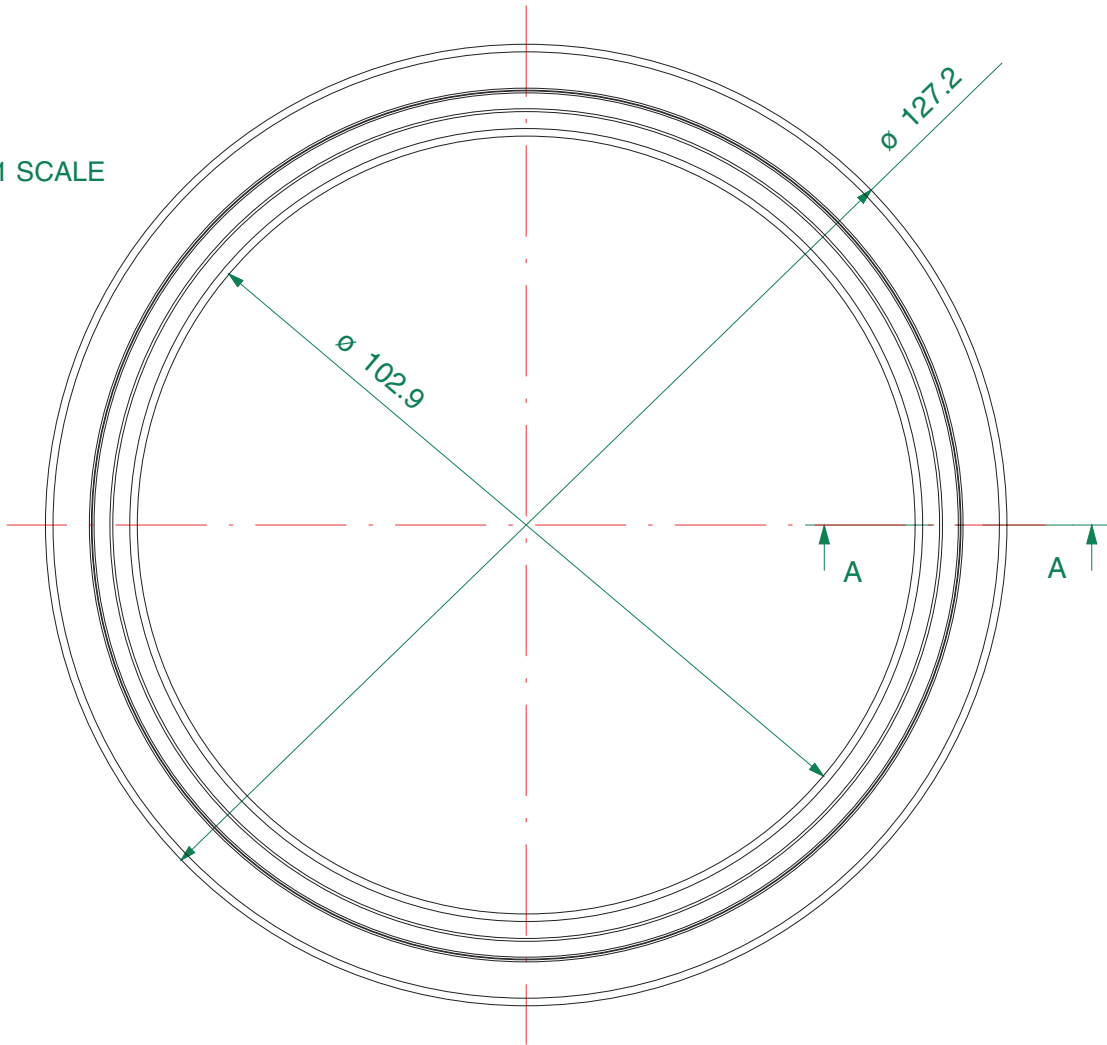
ECHANGEURS

WÄRMEAUSTAUSCHER

INTERCAMBIADORES

Pos	Orobica Code	Model	Brand	Gasket Type	Q.ty
-	900.0223	M10B	ALFA LAVAL	RING GASKET	-

1:1 SCALE



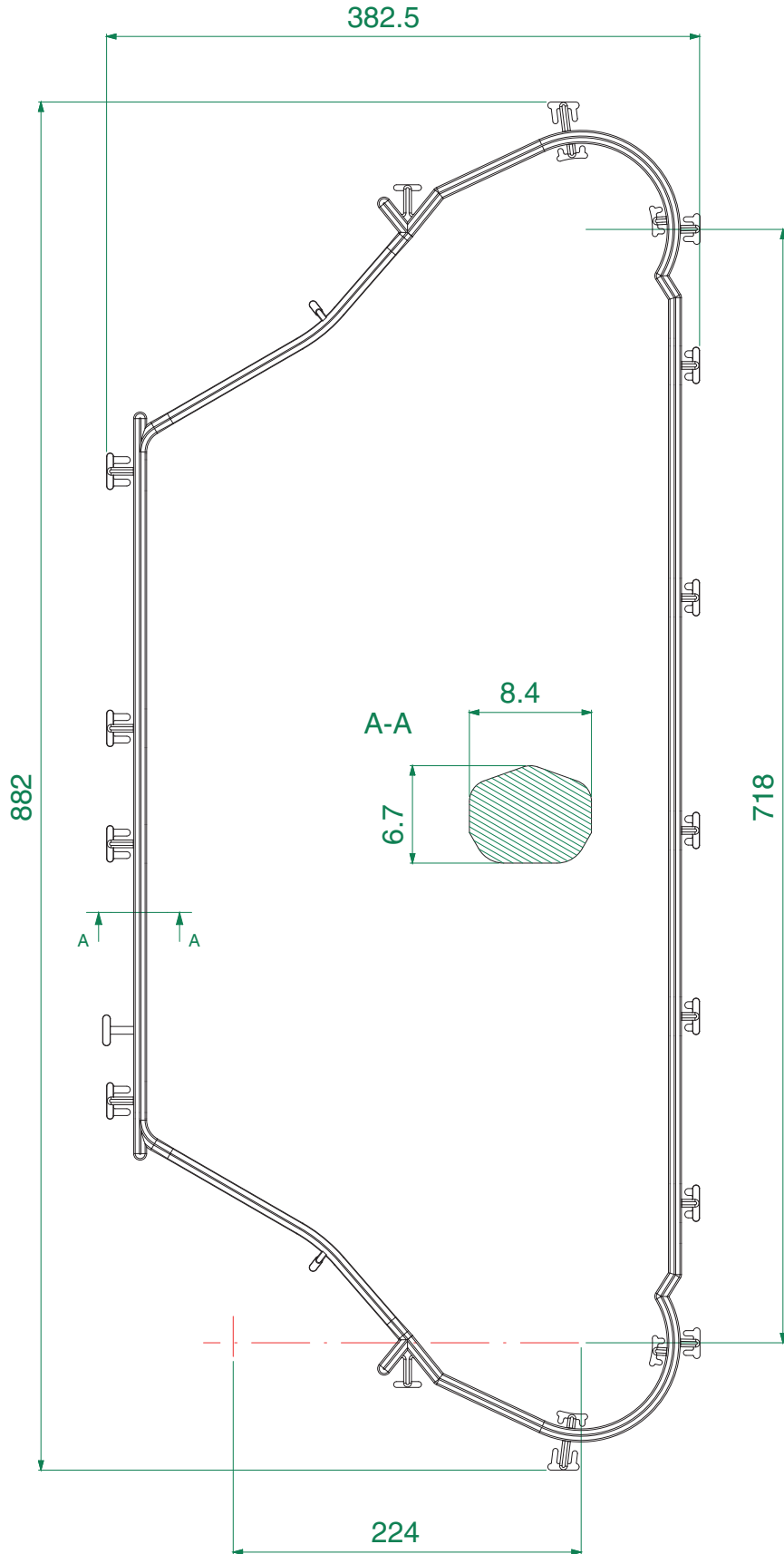
EXCHANGERS

ECHANGEURS

WÄRMEAUSTAUSCHER

INTERCAMBIADORES

Pos	Orobica Code	Model	Brand	Gasket Type	Q.ty
-	900.0252	M10BW	ALFA LAVAL	CLIP-ON FIELD GASKET	-



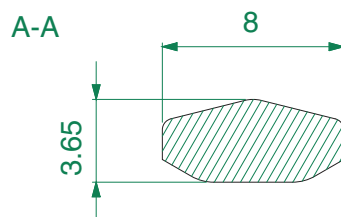
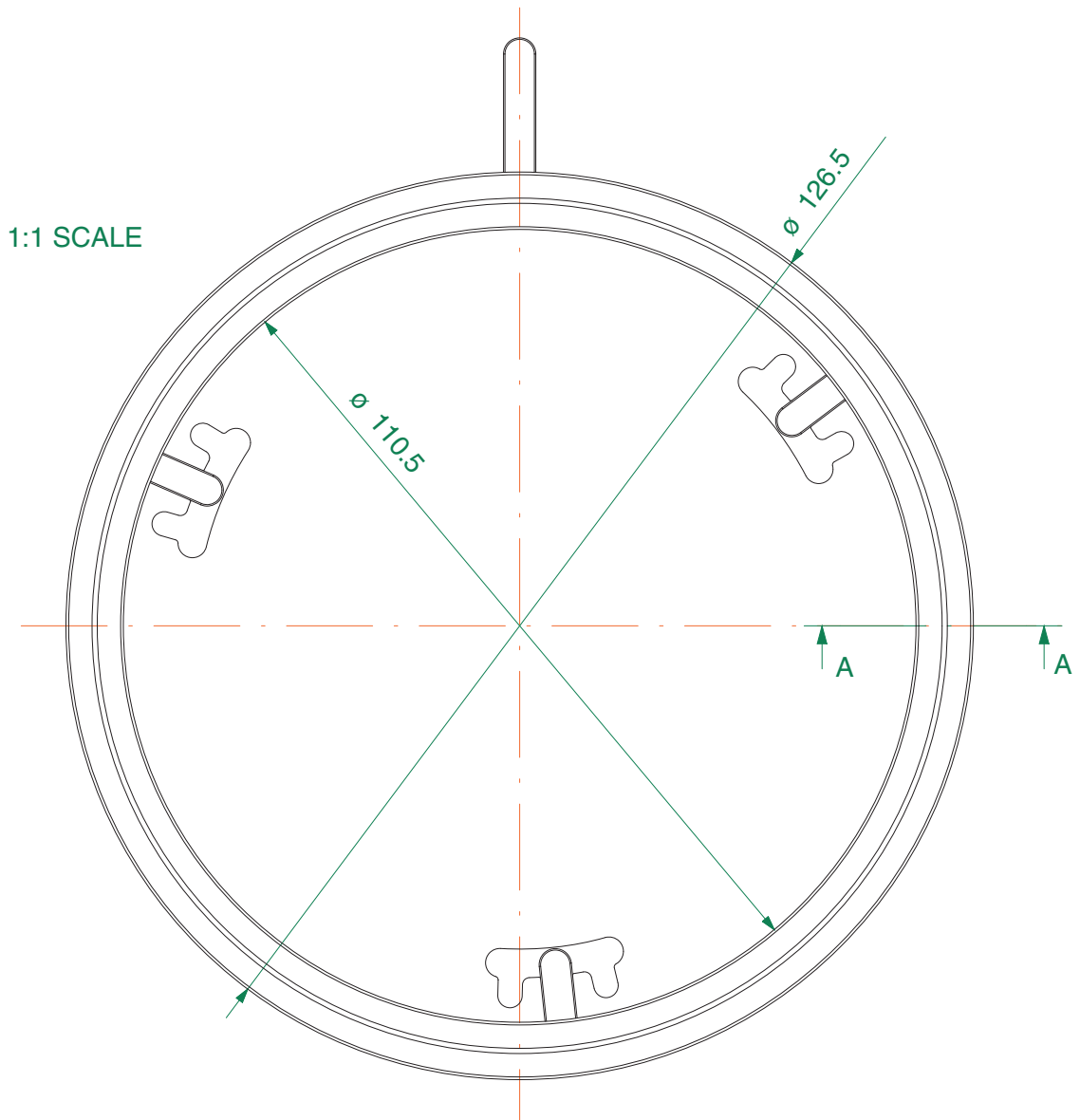
EXCHANGERS

ECHANGEURS

WÄRMEAUSTAUSCHER

INTERCAMBIADORES

Pos	Orobica Code	Model	Brand	Gasket Type	Q.ty
-	900.0253	M10BW	ALFA LAVAL	CLIP-ON THIN RING GASKET	-



EXCHANGERS

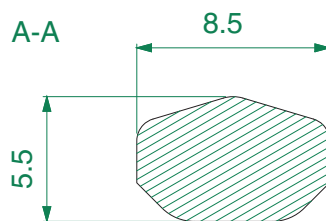
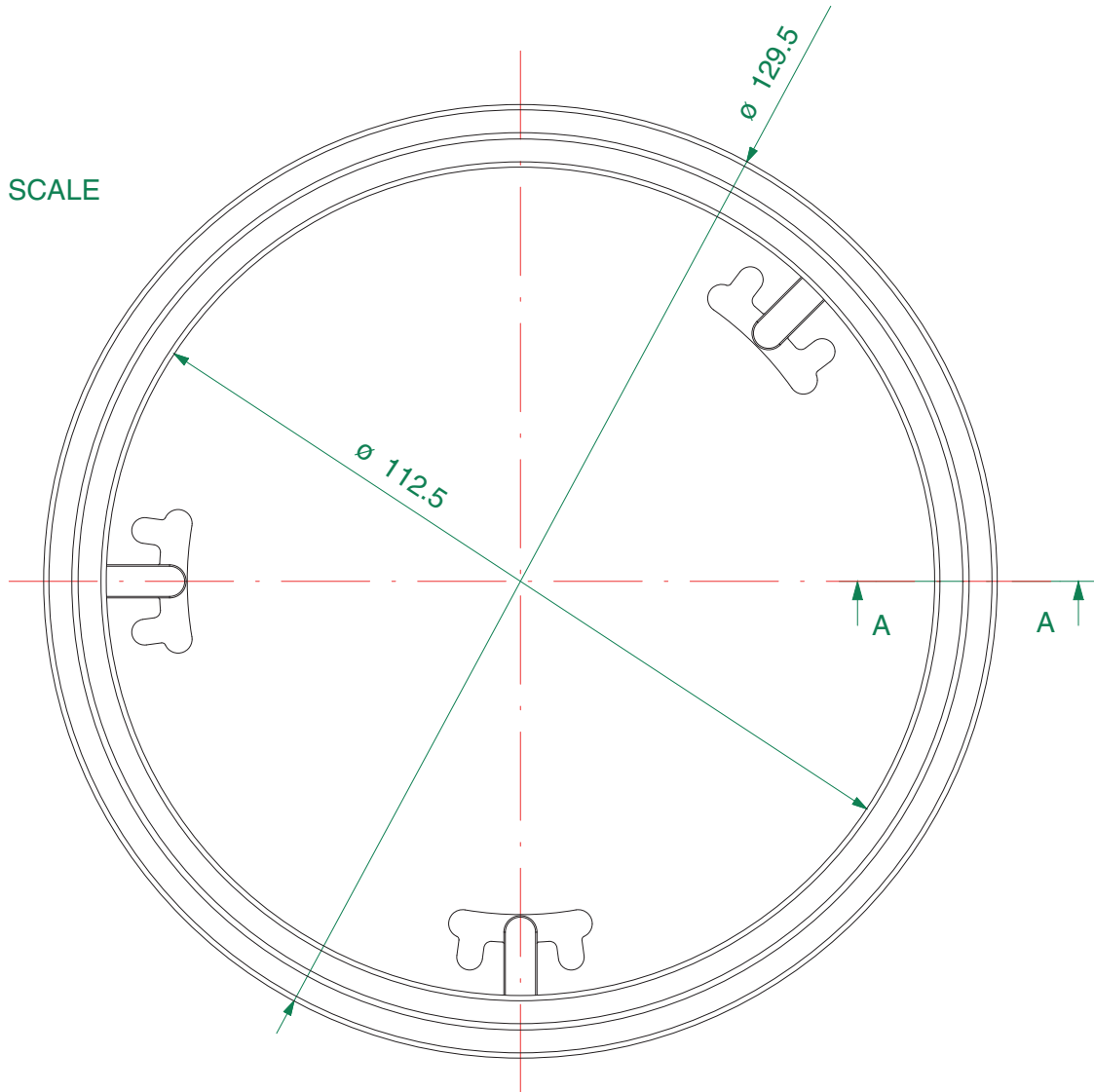
ECHANGEURS

WÄRMEAUSTAUSCHER

INTERCAMBIADORES

Pos	Orobica Code	Model	Brand	Gasket Type	Q.ty
-	900.0254	M10BW	ALFA LAVAL	CLIP-ON THICK PORT RING GASKET	-

1:1 SCALE



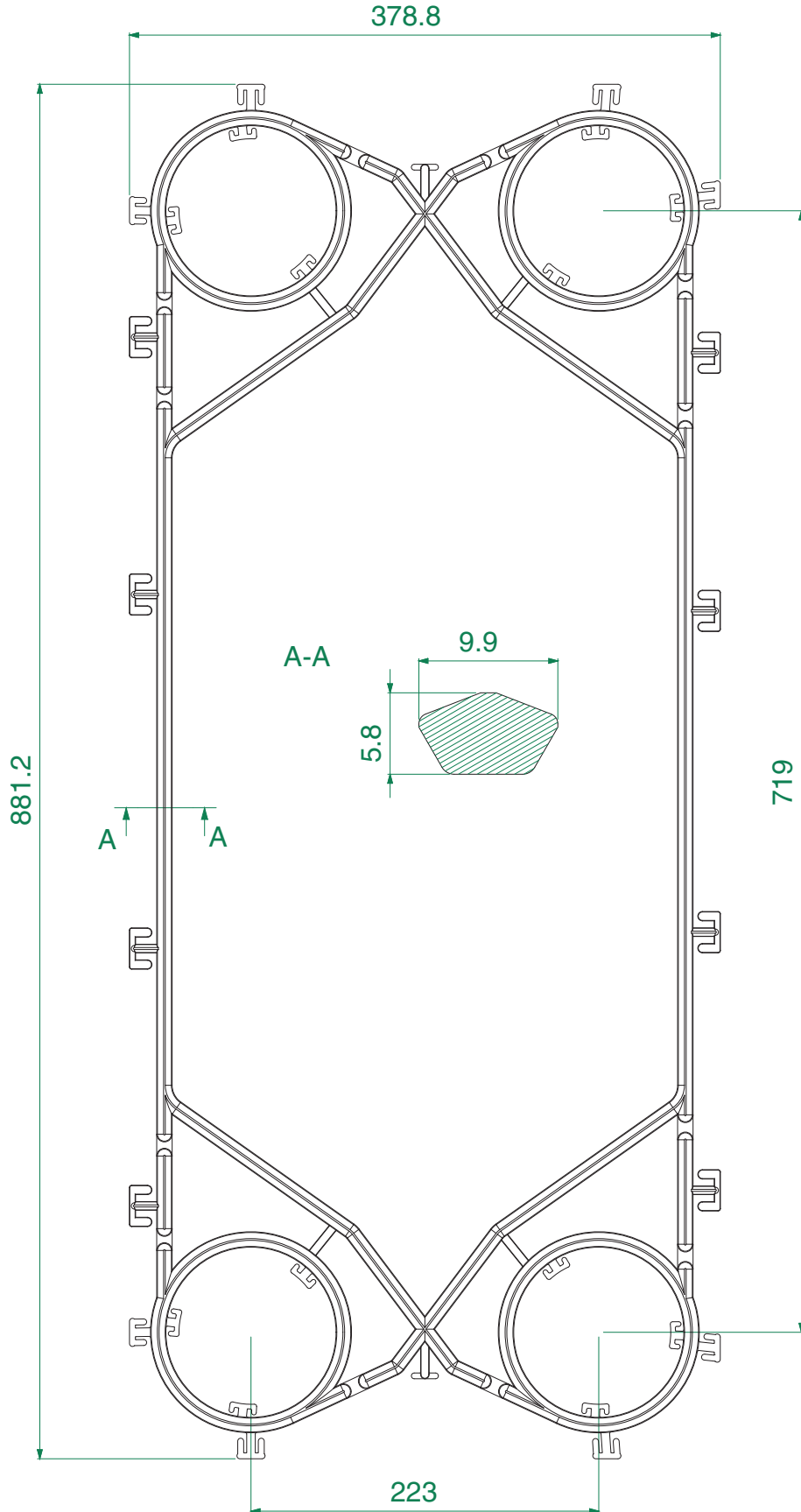
EXCHANGERS

ECHANGEURS

WÄRMEAUSTAUSCHER

INTERCAMBIADORES

Pos	Orobica Code	Model	Brand	Gasket Type	Q.ty
-	900.0218	M10M	ALFA LAVAL	CLIP-ON ENDPLATE GASKET	-



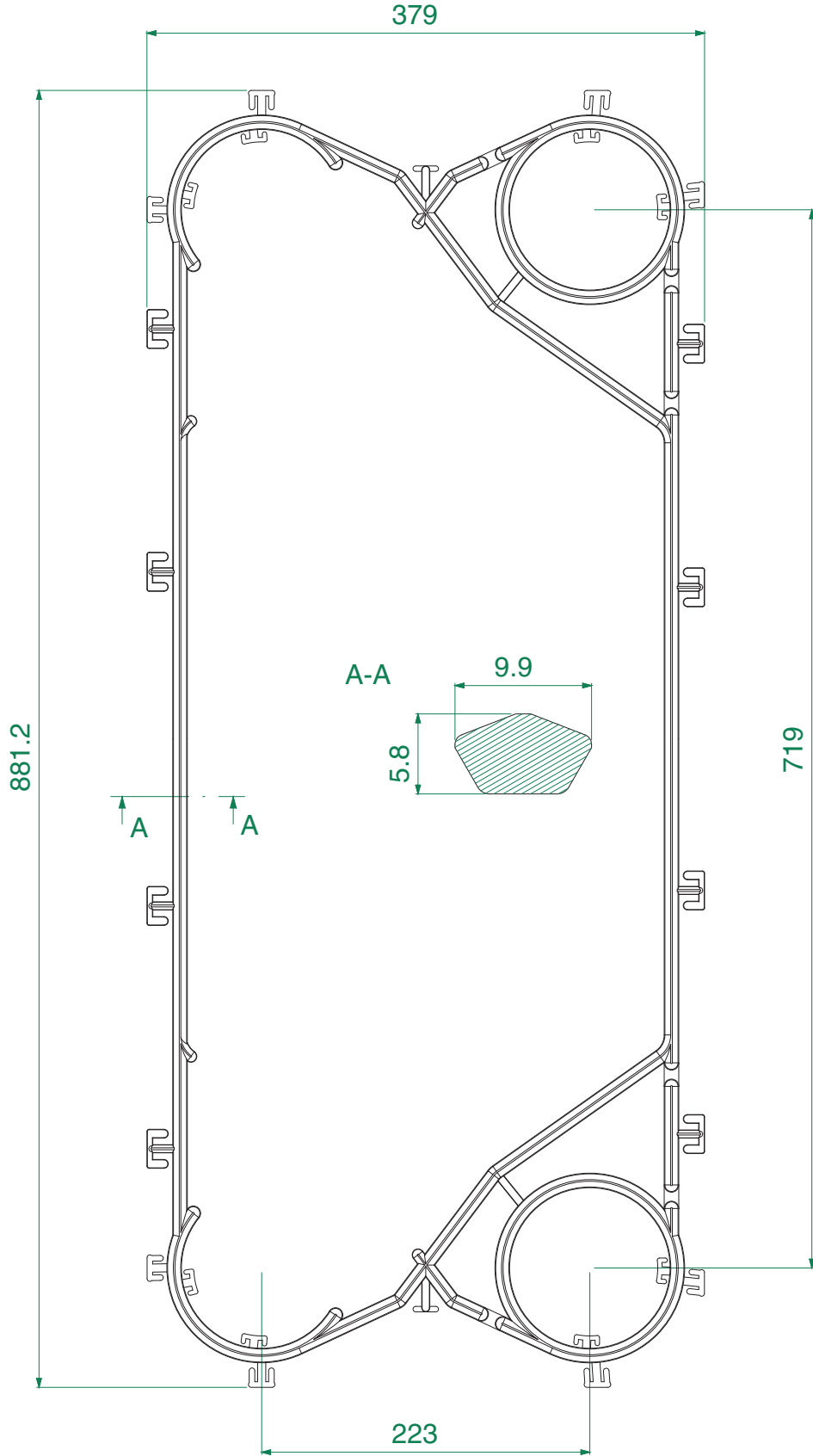
EXCHANGERS

ECHANGEURS

WÄRMEAUSTAUSCHER

INTERCAMBIADORES

Pos	Orobica Code	Model	Brand	Gasket Type	Q.ty
-	900.0180	M10M	ALFA LAVAL	CLIP-ON CHANNELPLATE GASKET	-



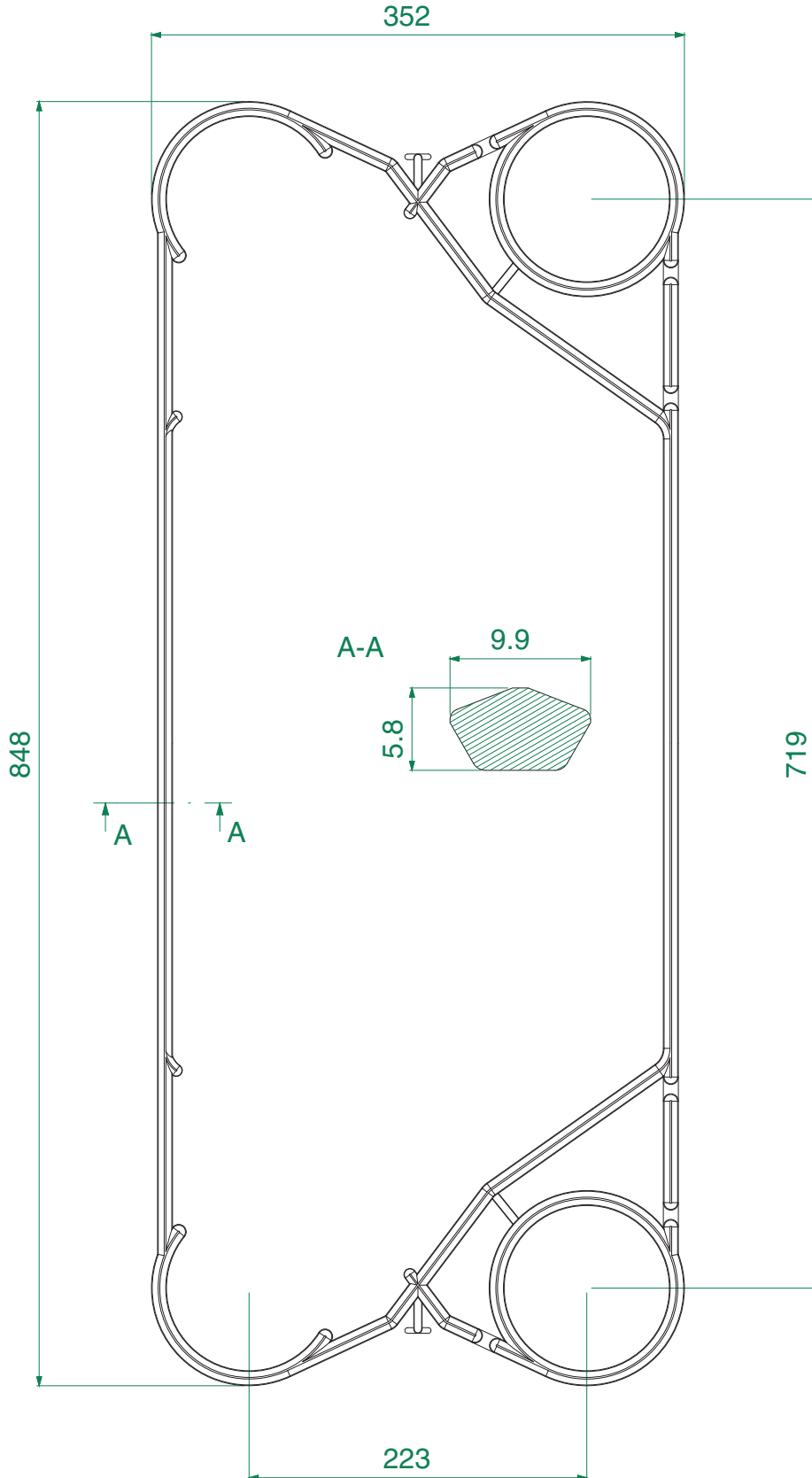
EXCHANGERS

ECHANGEURS

WÄRMEAUSTAUSCHER

INTERCAMBIADORES

Pos	Orobica Code	Model	Brand	Gasket Type	Q.ty
-	900.0392	M10M	ALFA LAVAL	GLUED CHANNEL GASKET	-



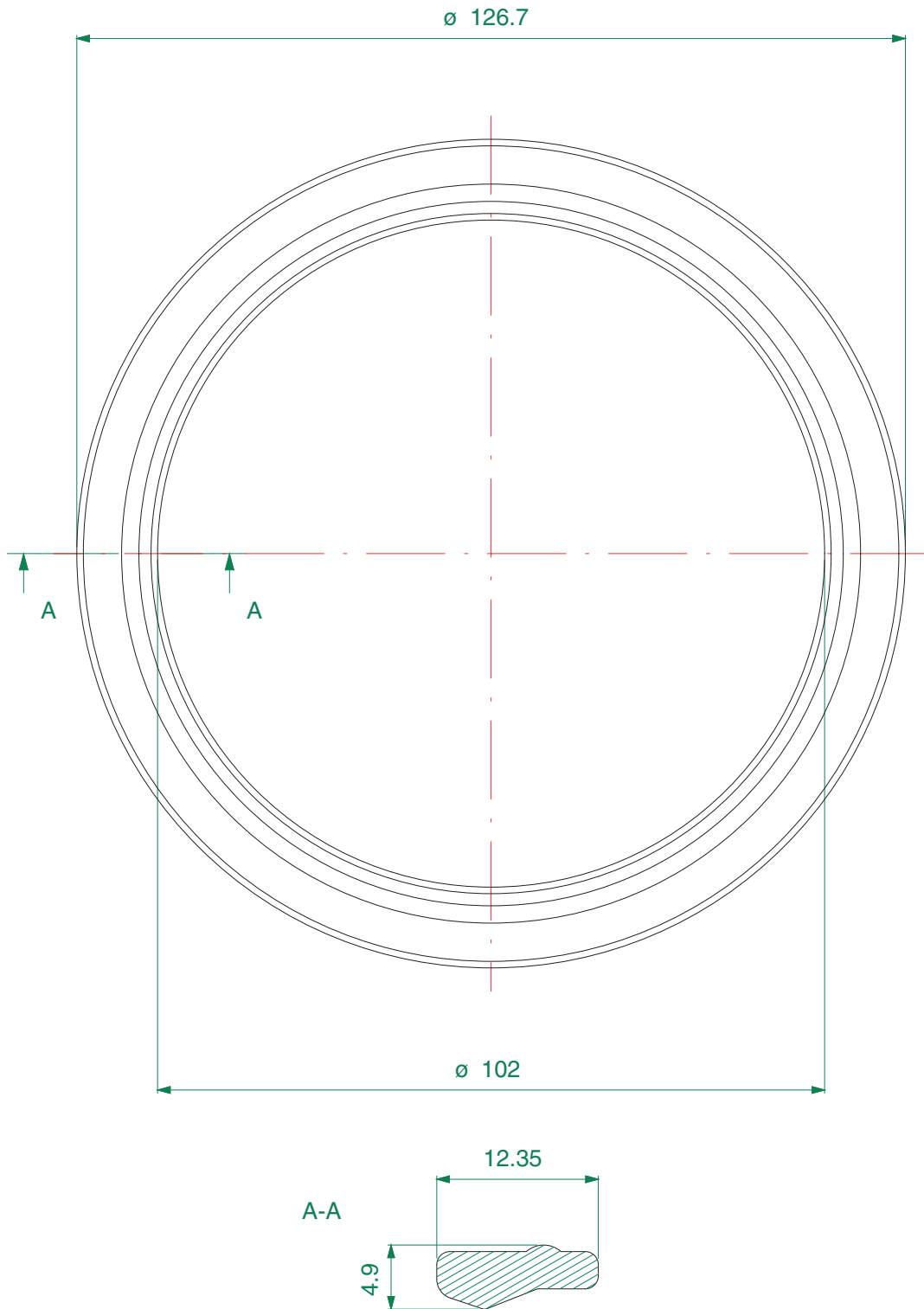
EXCHANGERS

ECHANGEURS

WÄRMEAUSTAUSCHER

INTERCAMBIADORES

Pos	Orobica Code	Model	Brand	Gasket Type	Q.ty
-	900.0439	M10M	ALFA LAVAL	RING FOR STEEL COLLAR	-



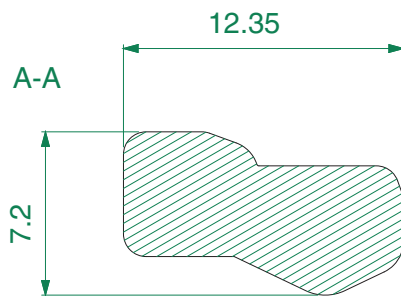
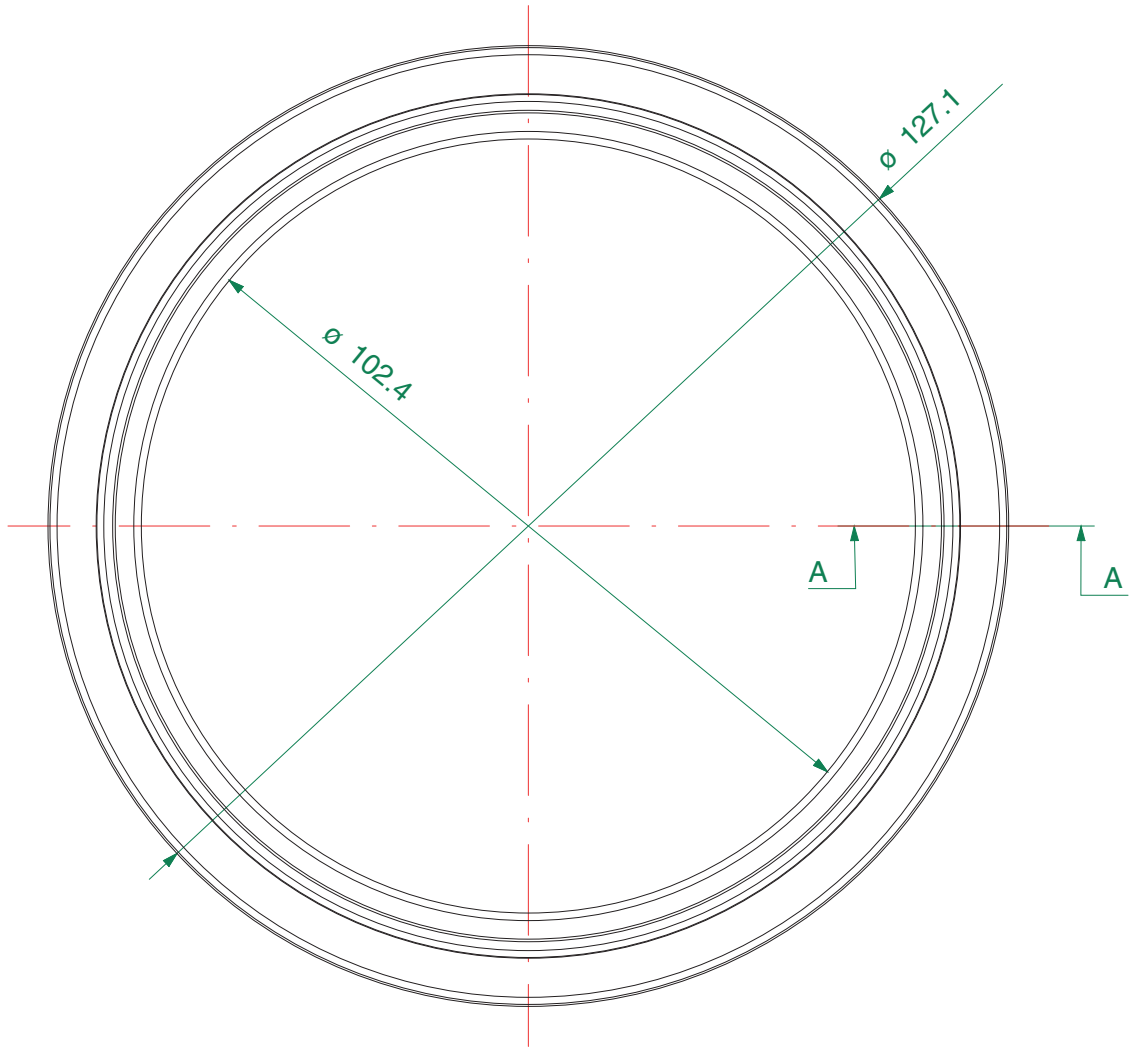
EXCHANGERS

ECHANGEURS

WÄRMEAUSTAUSCHER

INTERCAMBIADORES

Pos	Orobica Code	Model	Brand	Gasket Type	Q.ty
-	900.0219	M10M	ALFA LAVAL	RING GASKET	-



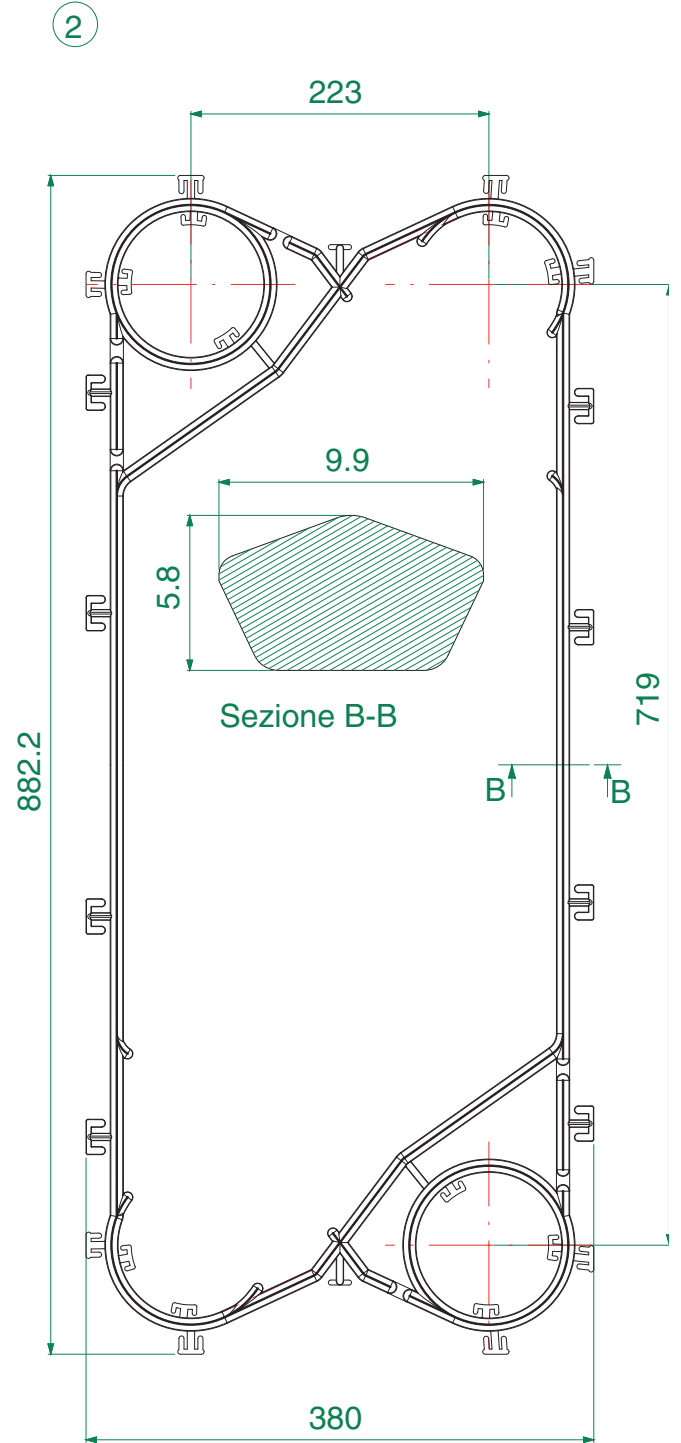
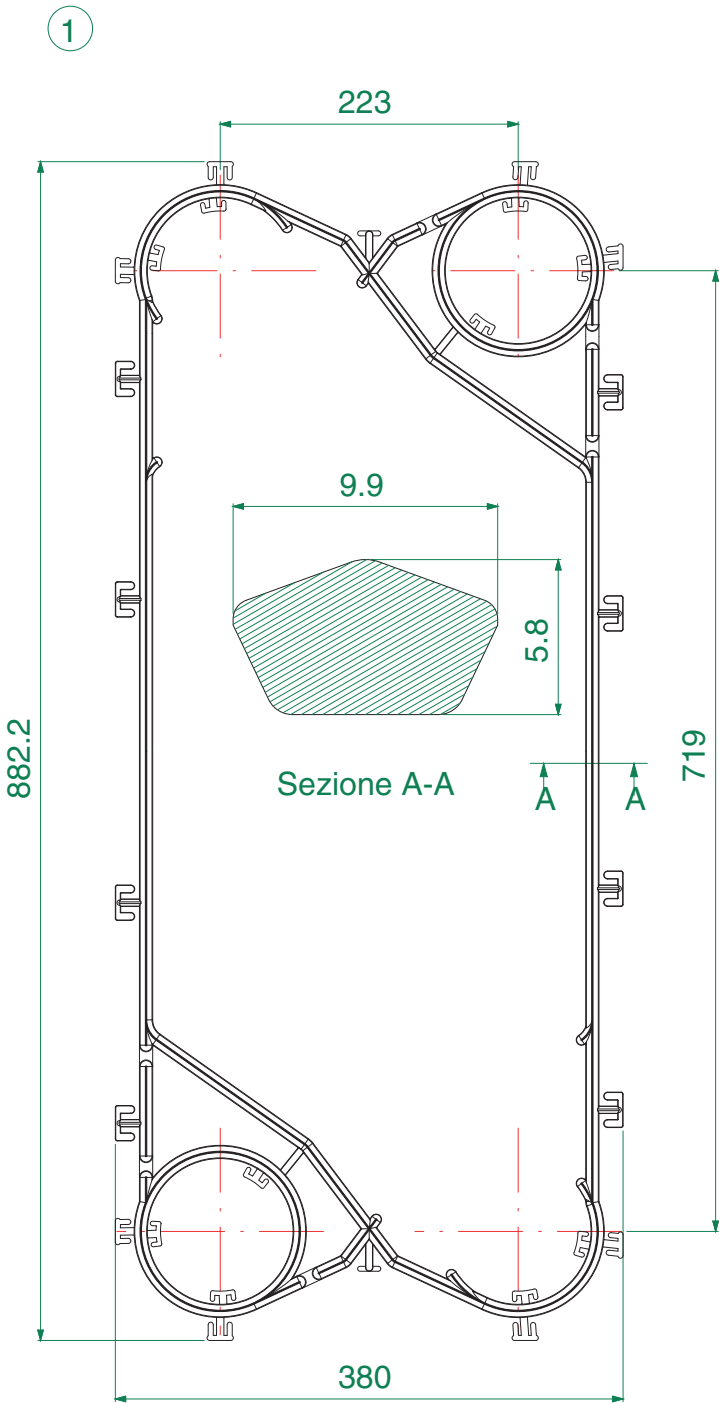
EXCHANGERS

ECHANGEURS

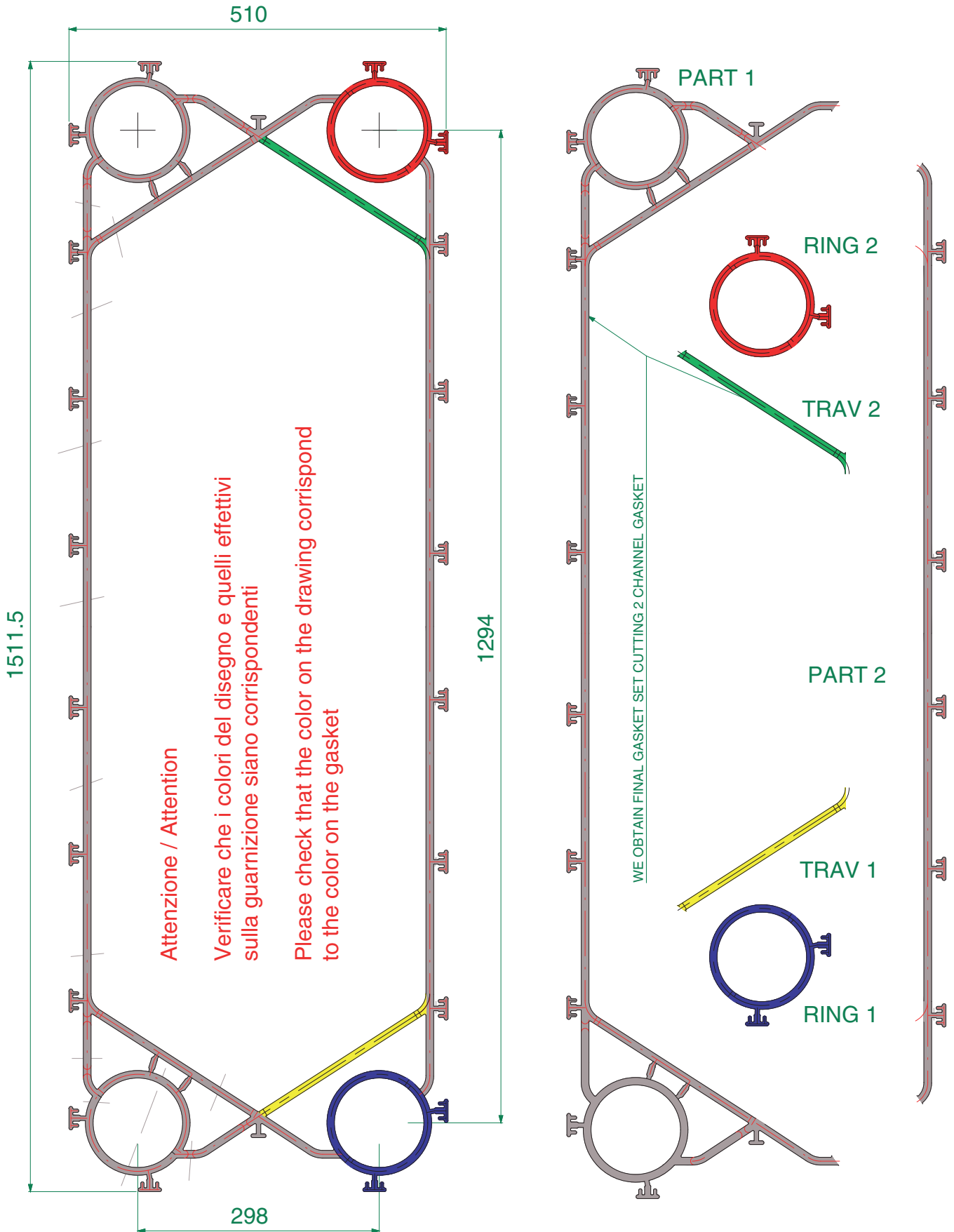
WÄRMEAUSTAUSCHER

INTERCAMBIADORES

Pos	Orobica Code	Model	Brand	Gasket Type	Q.ty
1	900.0521	M10MX	ALFA LAVAL	FLOW GASKET MODEL TYPE A	-
2	900.0522	M10MX	ALFA LAVAL	FLOW GASKET MODEL TYPE B	-



Pos	Orobica Code	Model	Brand	Gasket Type	Q.ty
-	900.0394	M15B	ALFA LAVAL	END PLATE LIP GASKET II	01



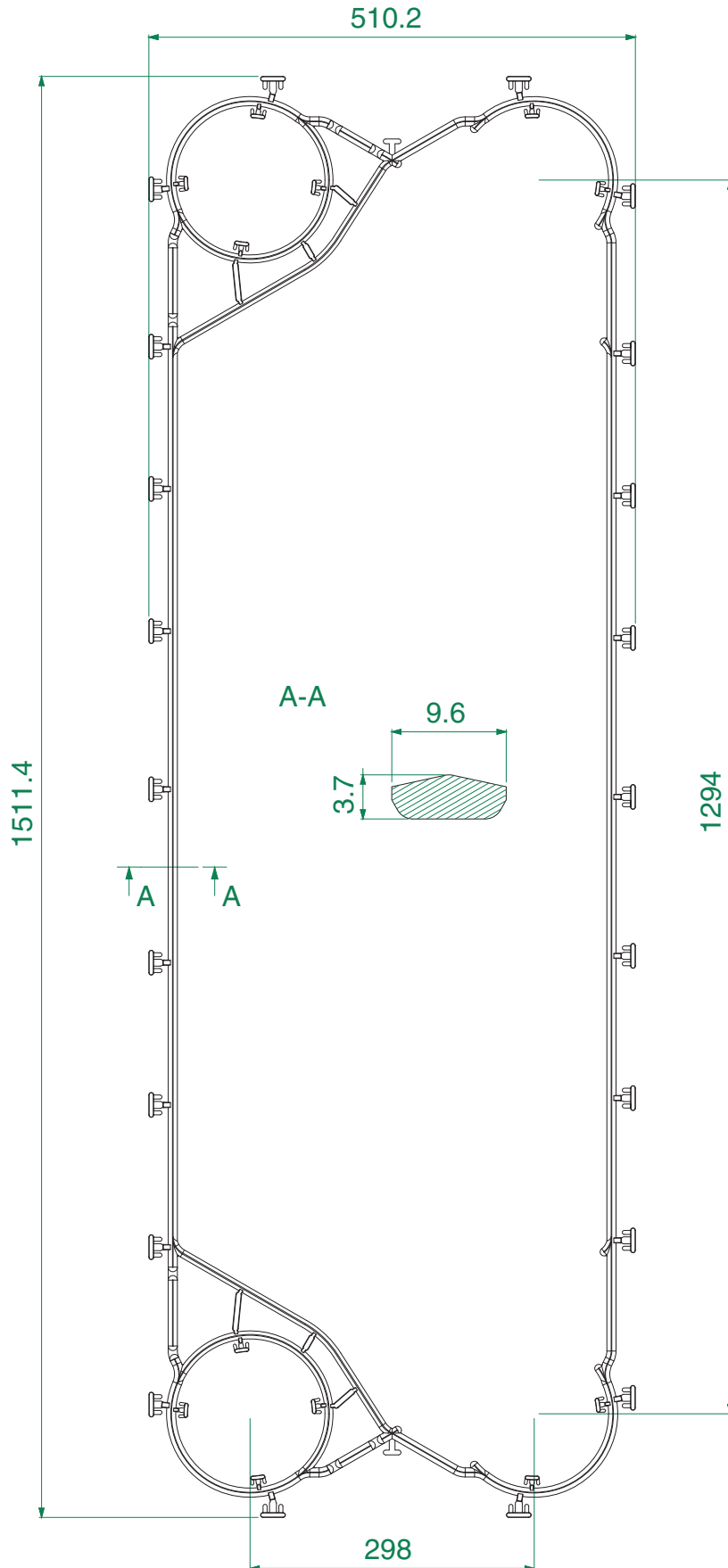
EXCHANGERS

ECHANGEURS

WÄRMEAUSTAUSCHER

INTERCAMBIADORES

Pos	Orobica Code	Model	Brand	Gasket Type	Q.ty
-	900.0438	M15-B	ALFA LAVAL	CHANNELPLATE CLIP-ON GASKET	-



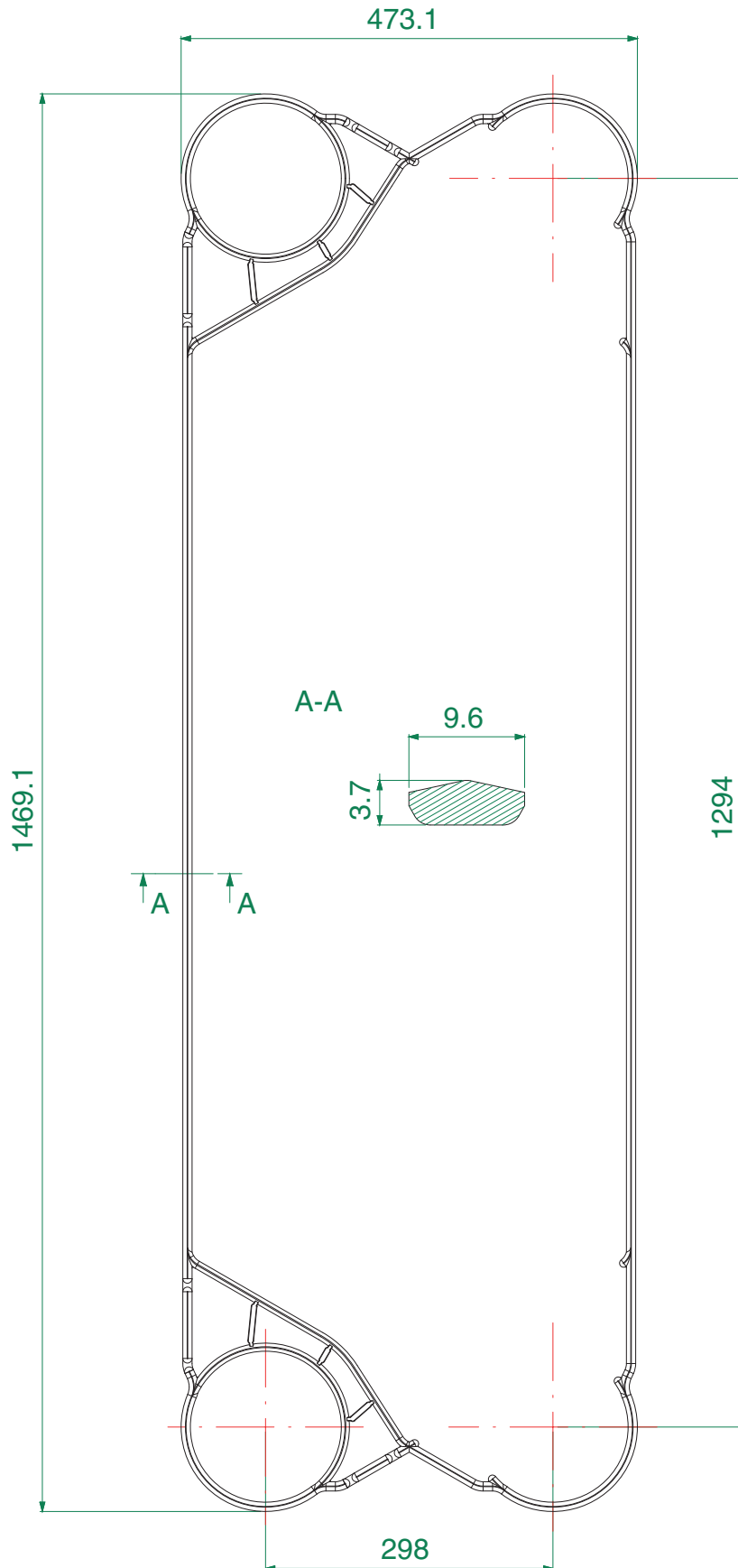
EXCHANGERS

ECHANGEURS

WÄRMEAUSTAUSCHER

INTERCAMBIADORES

Pos	Orobica Code	Model	Brand	Gasket Type	Q.ty
-	900.0539	M15B	ALFA LAVAL	CHANNELPLATE GLUED GASKET	-



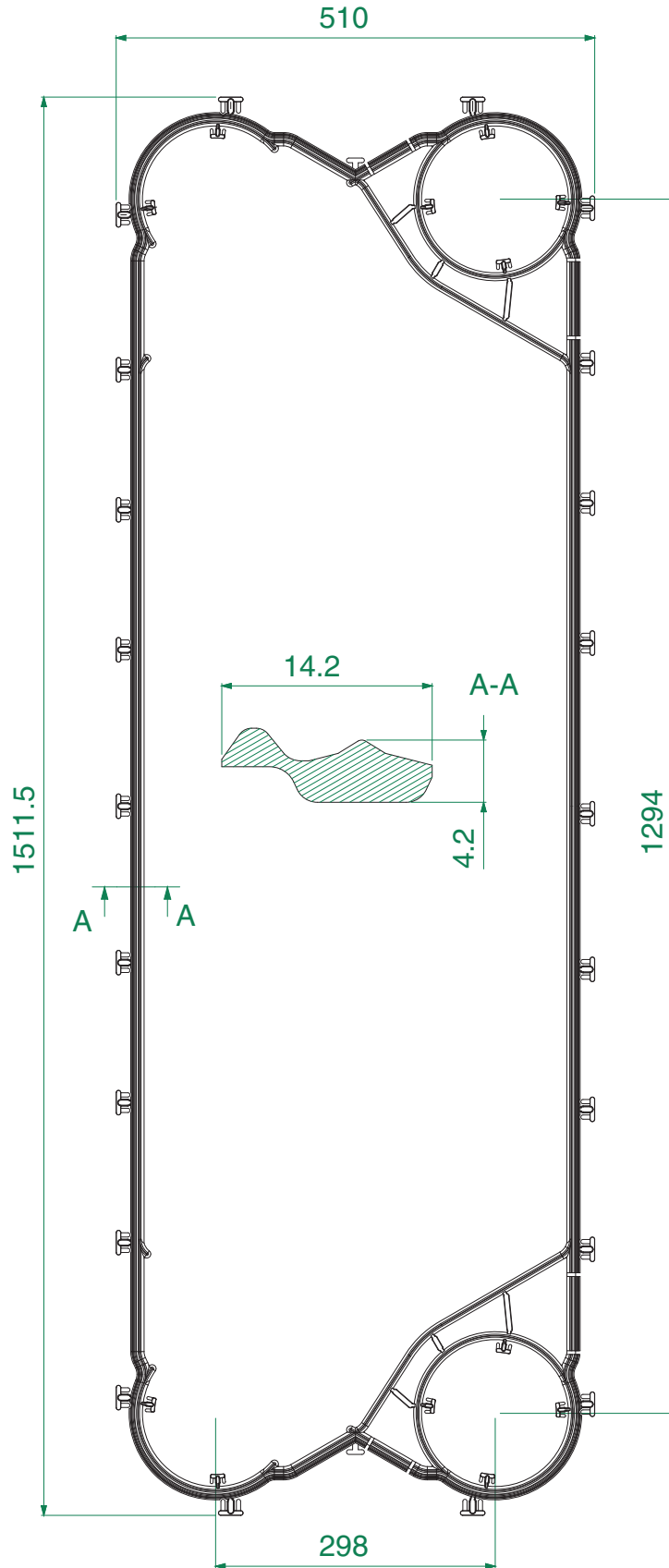
EXCHANGERS

ECHANGEURS

WÄRMEAUSTAUSCHER

INTERCAMBIADORES

Pos	Orobica Code	Model	Brand	Gasket Type	Q.ty
-	900.0126	M15B	ALFA LAVAL	CLIP-ON CHANNELPLATE LIP GASKET	-



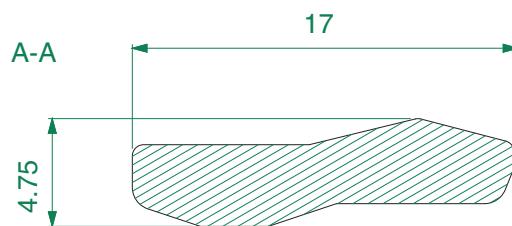
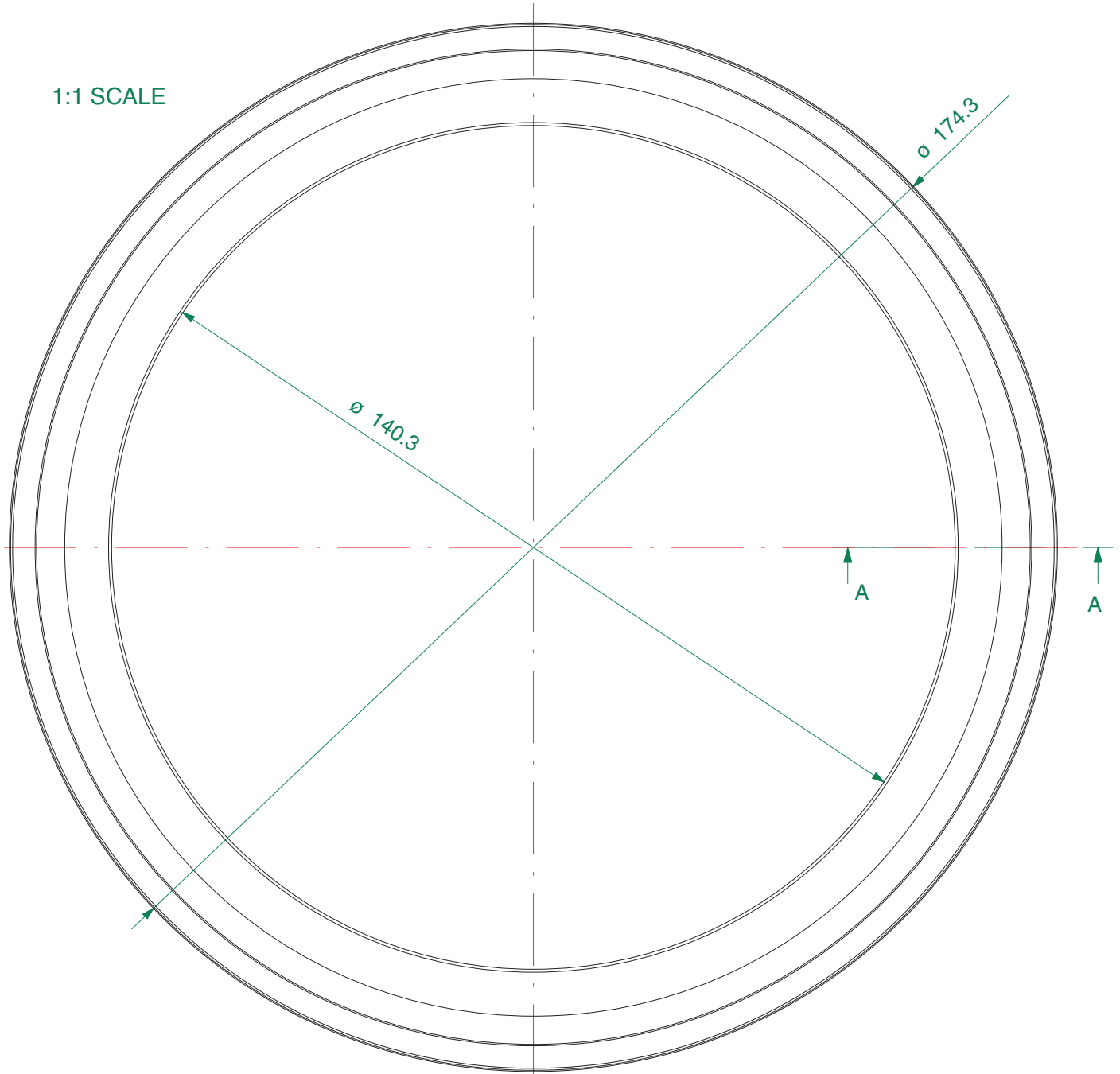
EXCHANGERS

ECHANGEURS

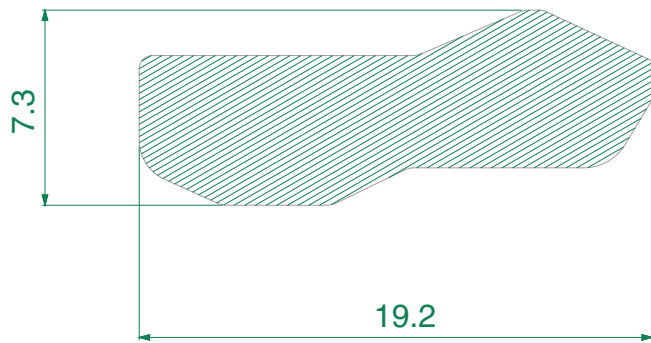
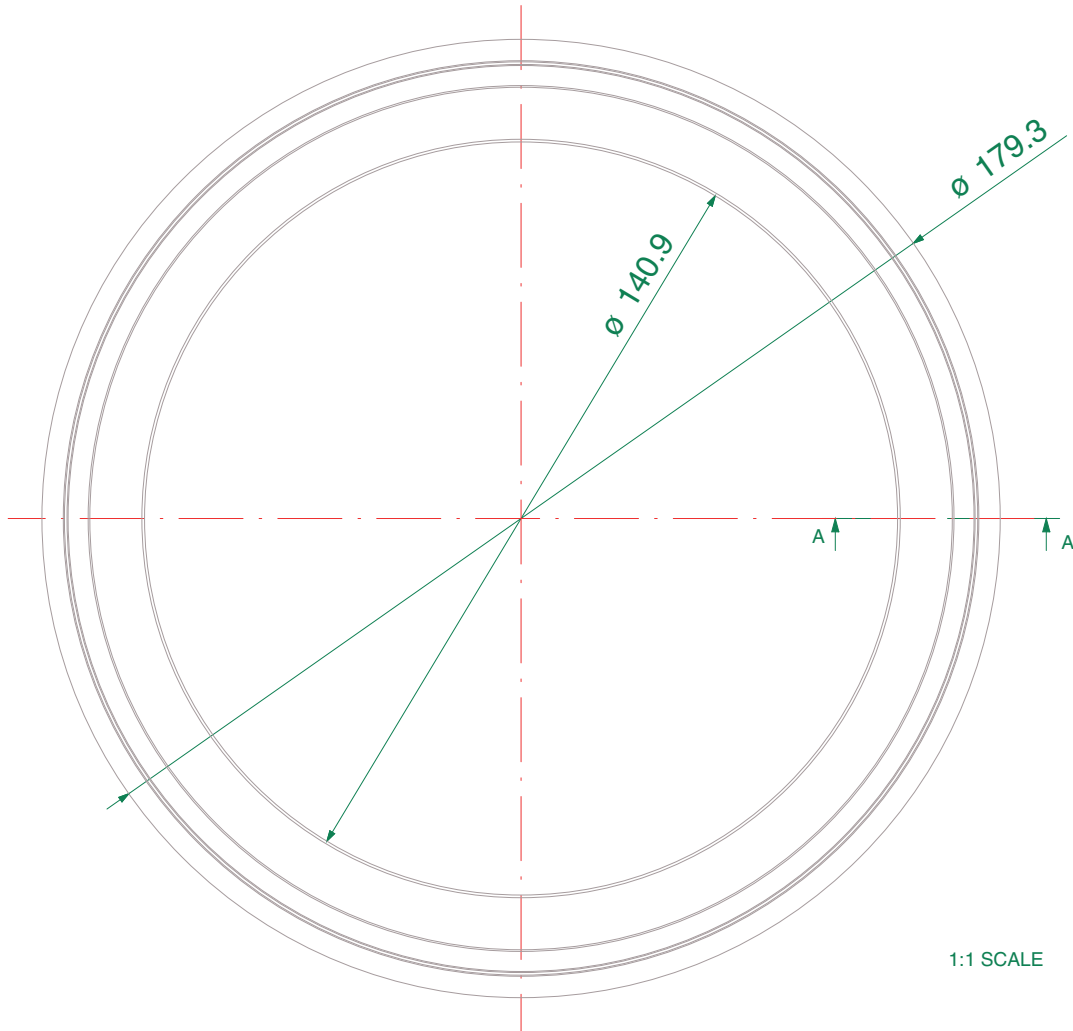
WÄRMEAUSTAUSCHER

INTERCAMBIADORES

Pos	Orobica Code	Model	Brand	Gasket Type	Q.ty
-	900.0373	M15B	ALFA LAVAL	PORT RING GASKET	-



Pos	Orobica Code	Model	Brand	Gasket Type	Q.ty
-	900.0472	M15F-M15M	ALFA LAVAL	PORT-RING GASKET H=7.3mm	-



Sezione A-A
Scala: 5:1

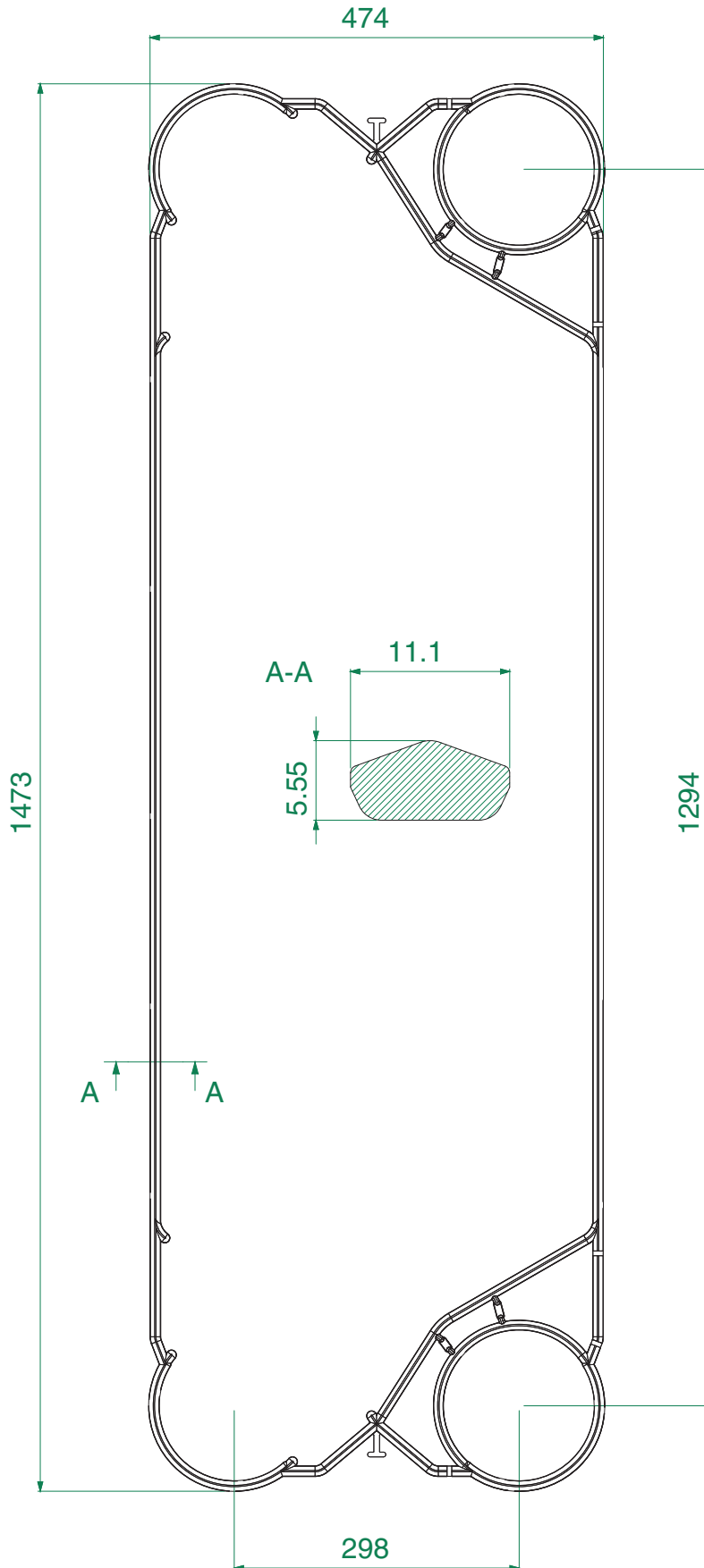
EXCHANGERS

ECHANGEURS

WÄRMEAUSTAUSCHER

INTERCAMBIADORES

Pos	Orobica Code	Model	Brand	Gasket Type	Q.ty
-	900.0393	M15M	ALFA LAVAL	GLUED CHANNEL PLATE GASKET	-



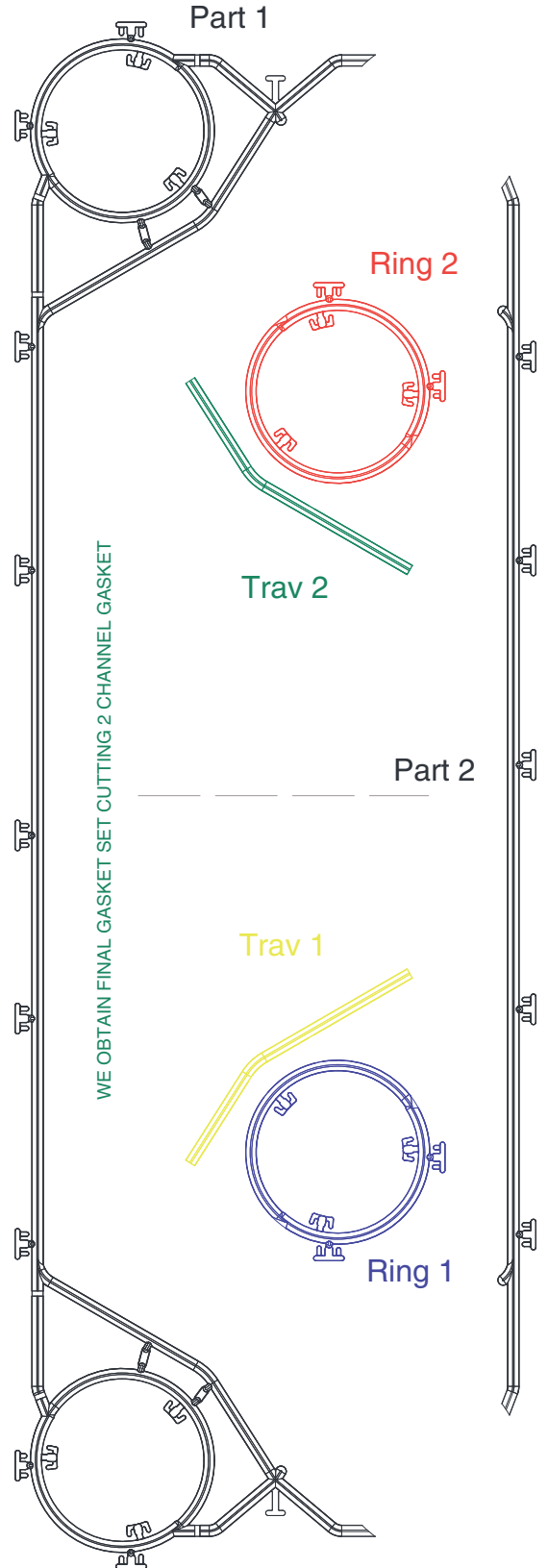
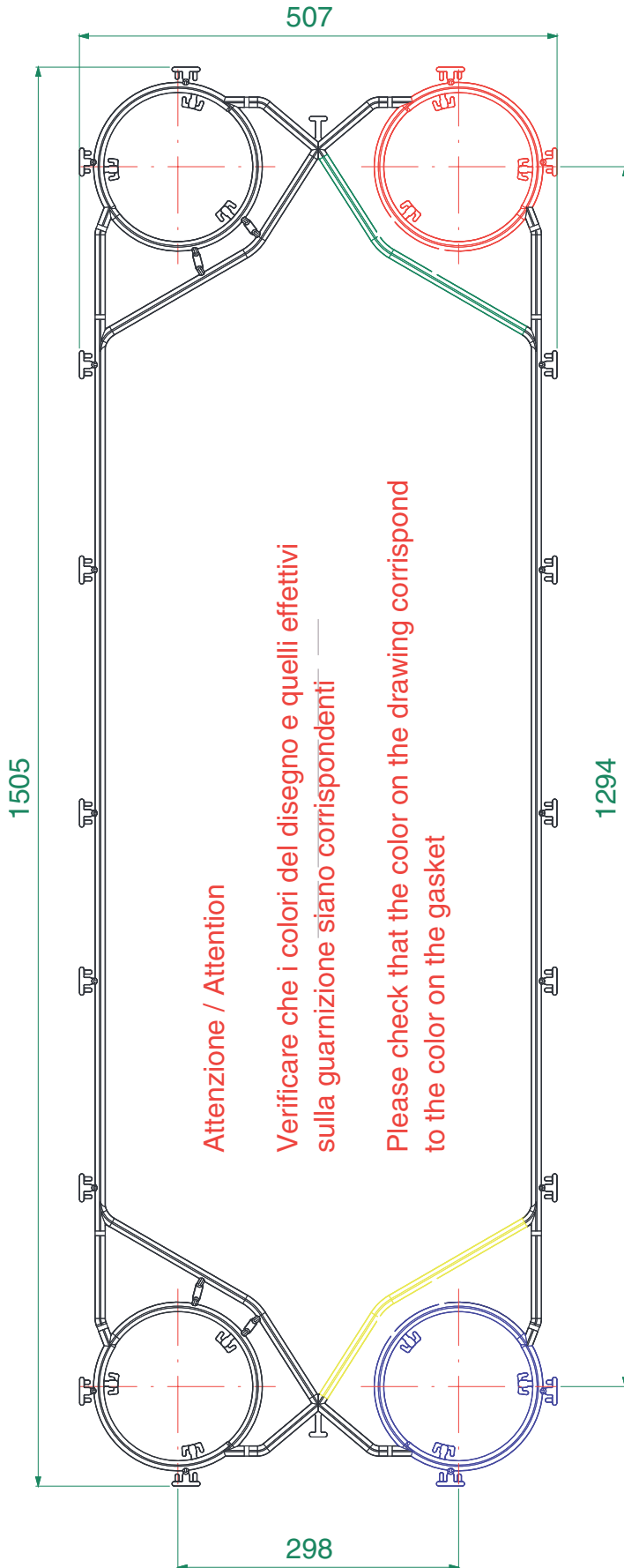
EXCHANGERS

ECHANGEURS

WÄRMEAUSTAUSCHER

INTERCAMBIADORES

Pos	Orobica Code	Model	Brand	Gasket Type	Q.ty
-	900.0395	M15M+F	ALFA LAVAL	ENDPLATE GASKET II	-



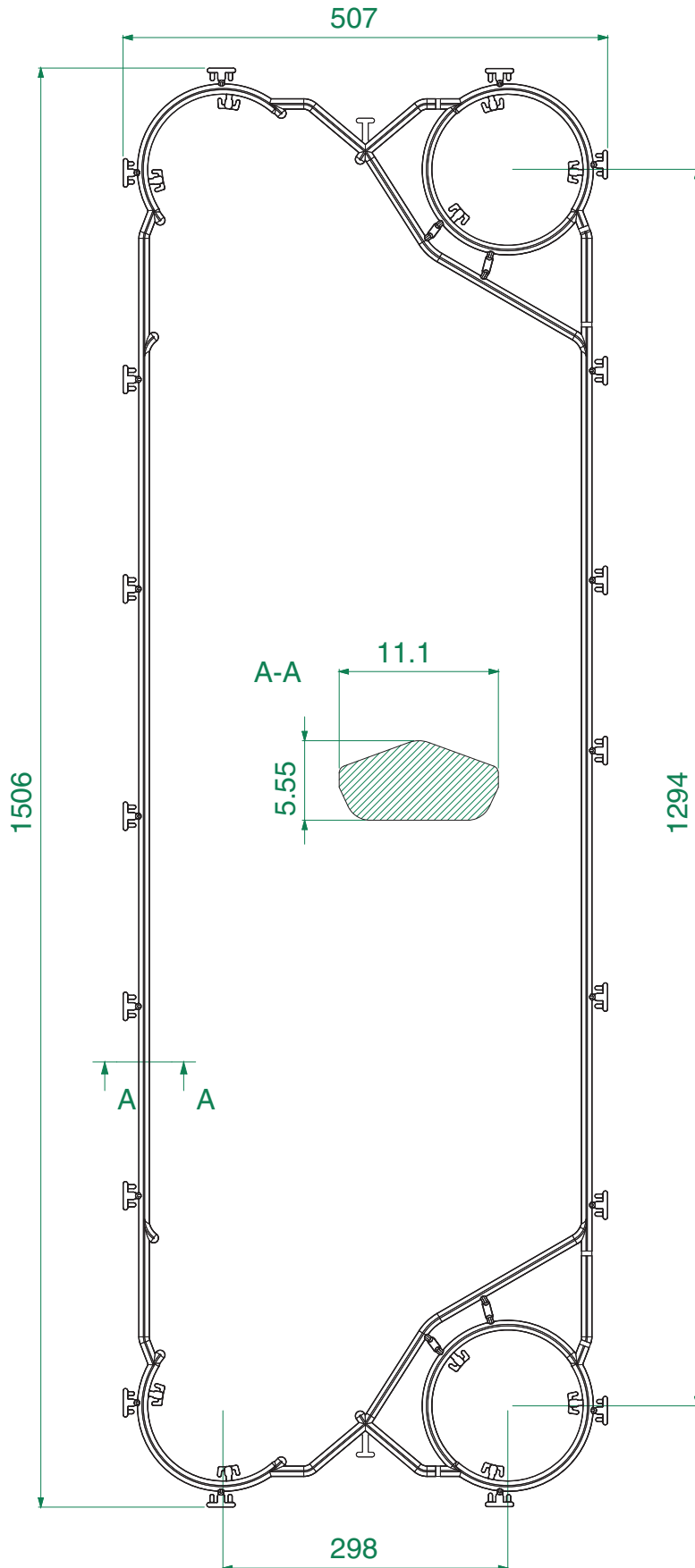
EXCHANGERS

ECHANGEURS

WÄRMEAUSTAUSCHER

INTERCAMBIADORES

Pos	Orobica Code	Model	Brand	Gasket Type	Q.ty
-	900.0344	M15M-M15F	ALFA LAVAL	CLIP-ON CHANNELPLATE GASKET	-



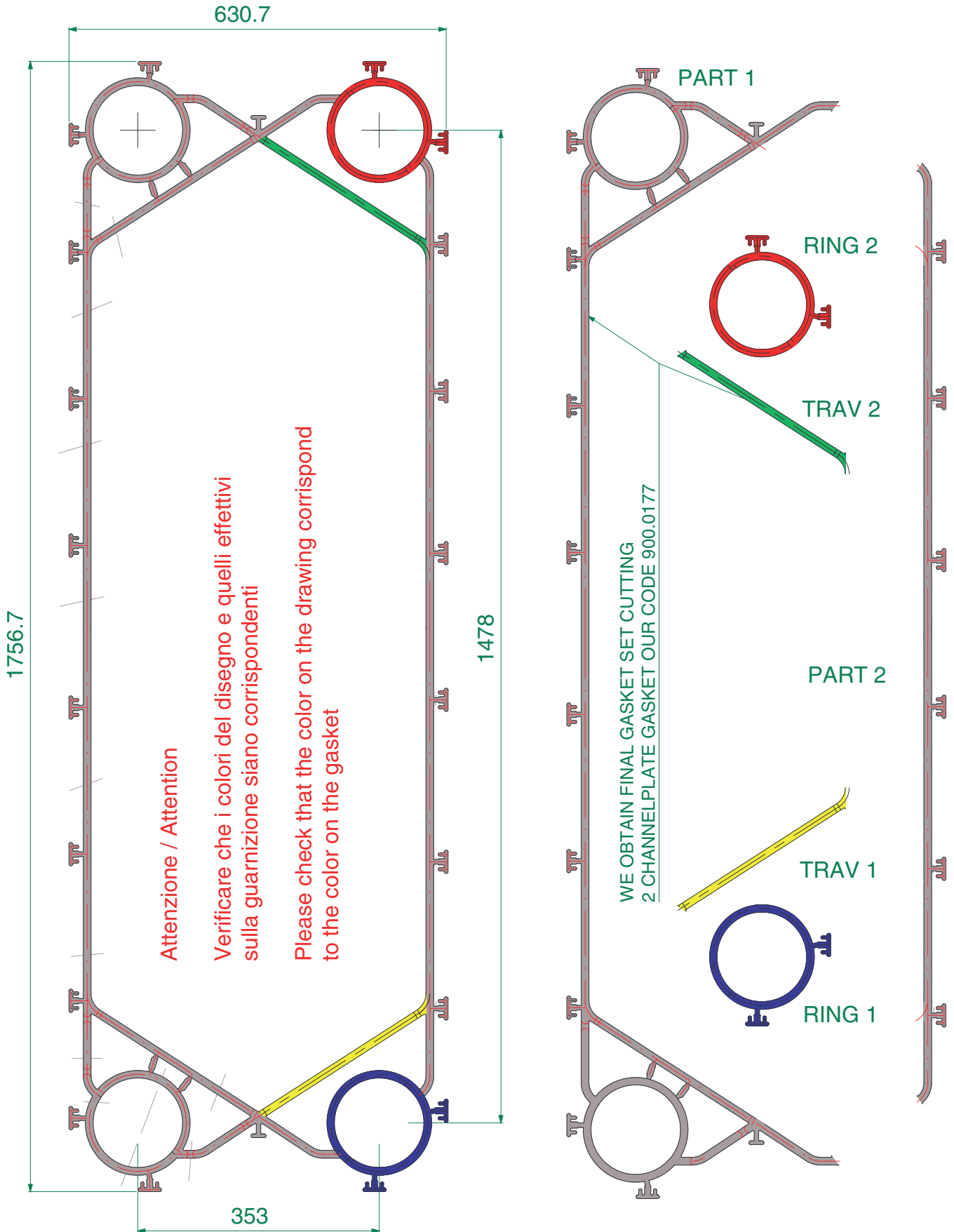
EXCHANGERS

ECHANGEURS

WÄRMEAUSTAUSCHER

INTERCAMBIADORES

Pos	Orobica Code	Model	Brand	Gasket Type	Q.ty
-	900.0178	M20M	ALFA LAVAL	CLIP-ON ENDPLATE II GASKET SET	-



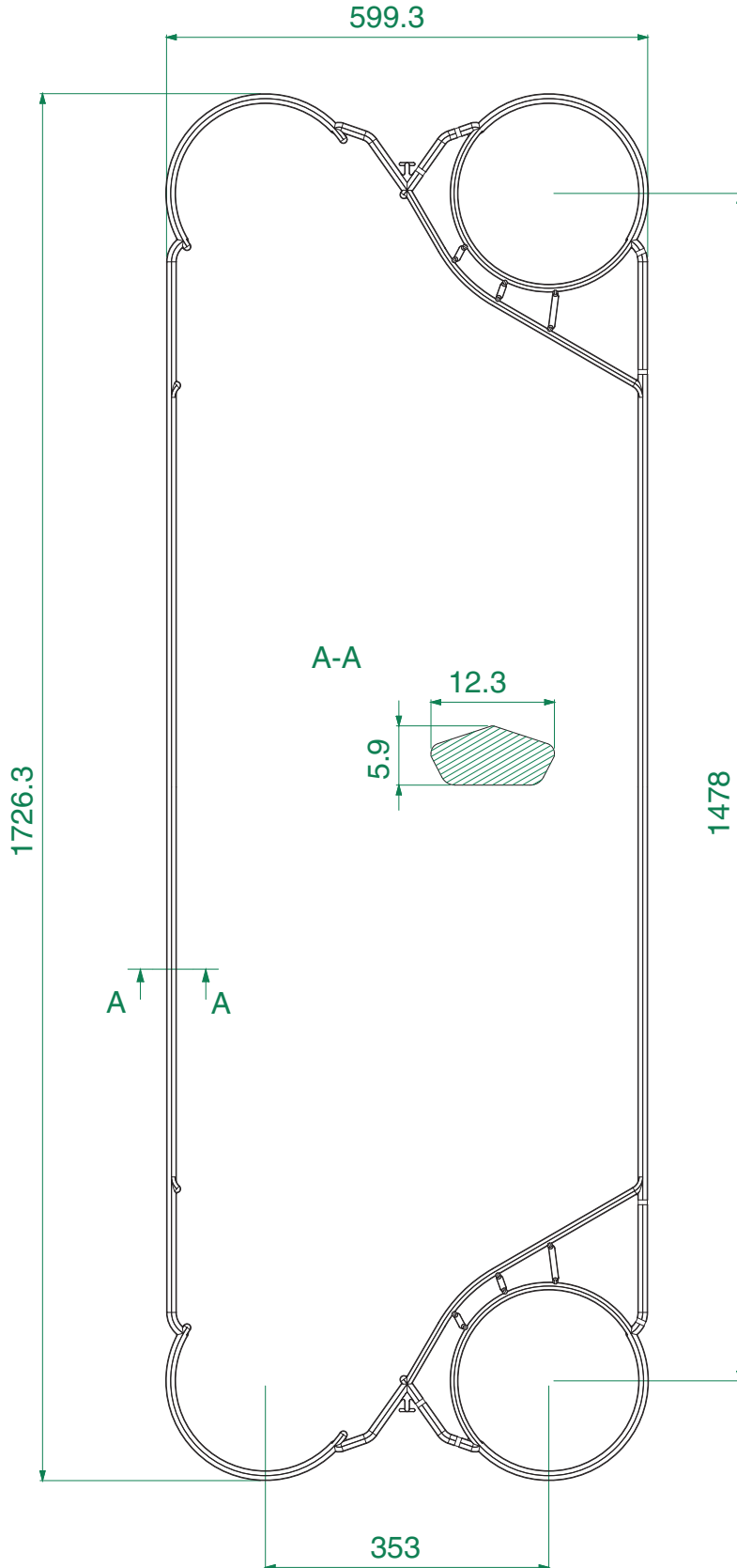
EXCHANGERS

ECHANGEURS

WÄRMEAUSTAUSCHER

INTERCAMBIADORES

Pos	Orobica Code	Model	Brand	Gasket Type	Q.ty
-	900.0396	M20M	ALFA LAVAL	GLUED CHANNEL PLATE GASKET	-



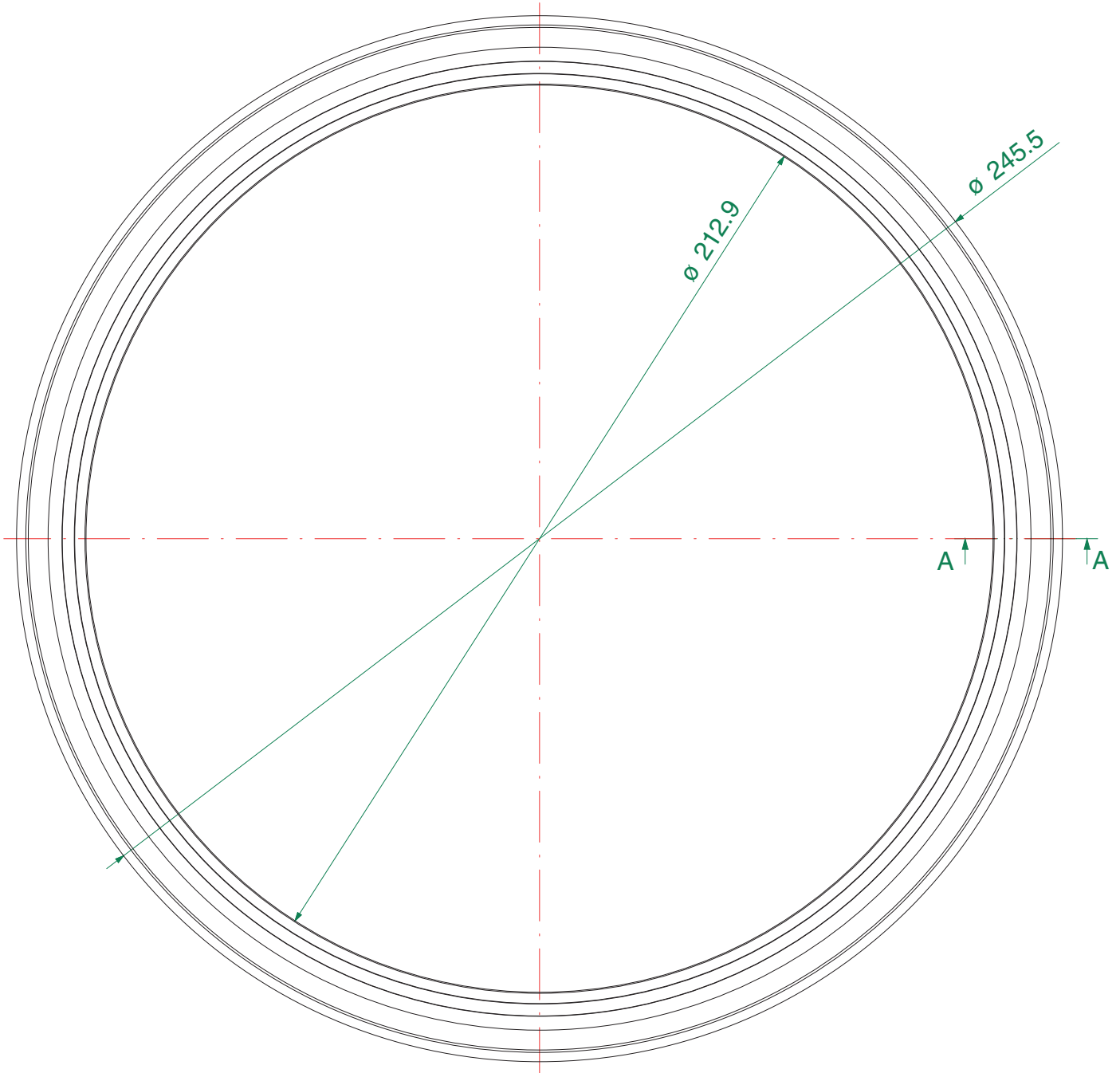
EXCHANGERS

ECHANGEURS

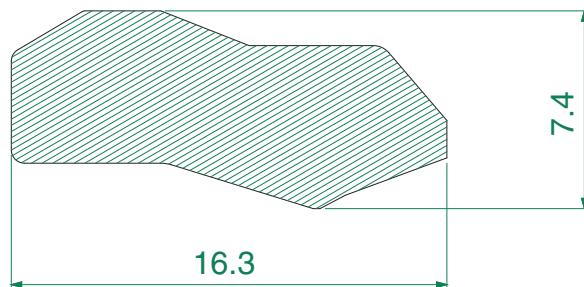
WÄRMEAUSTAUSCHER

INTERCAMBIADORES

Pos	Orobica Code	Model	Brand	Gasket Type	Q.ty
-	900.0533	M20M	ALFA LAVAL	Port-Ring gasket H=7.4mm	-



Sezione A-A



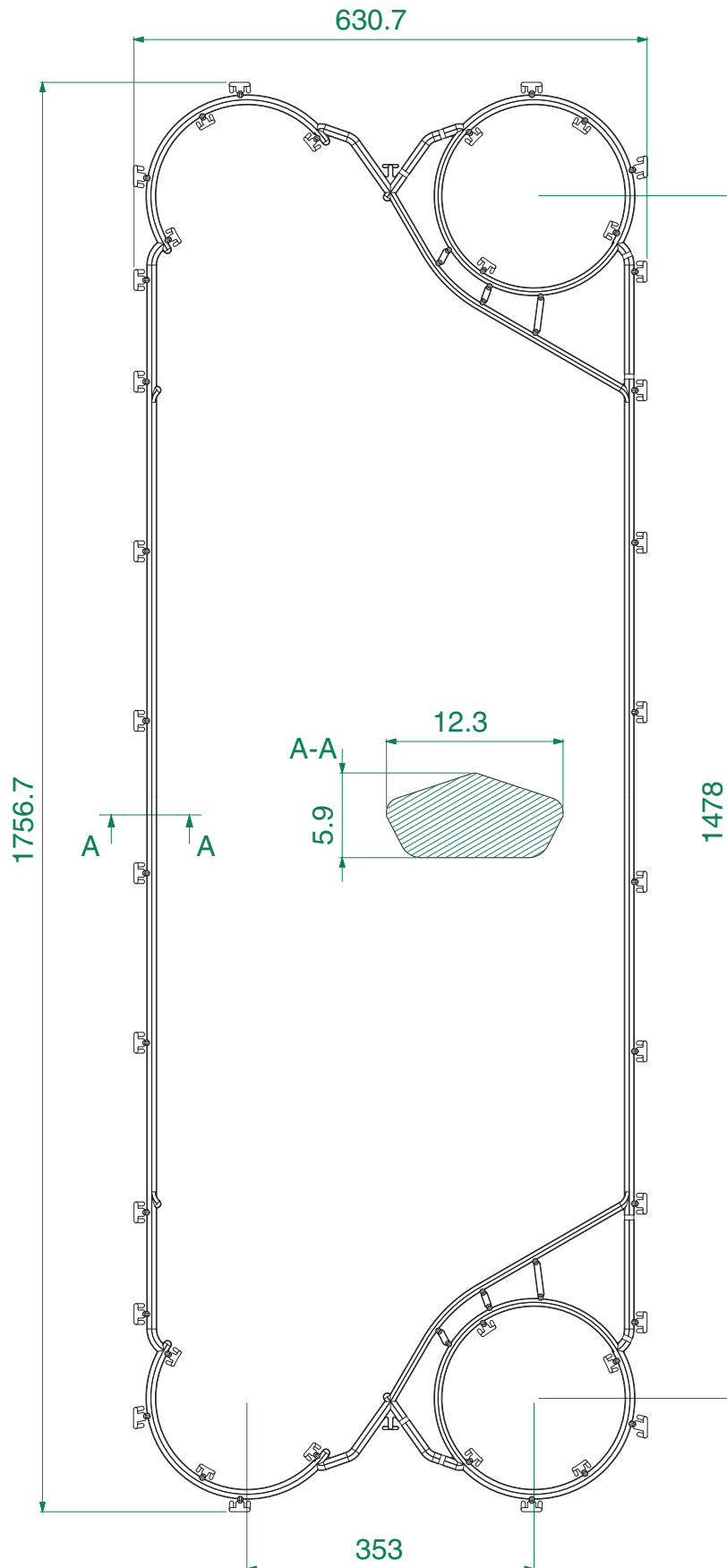
EXCHANGERS

ECHANGEURS

WÄRMEAUSTAUSCHER

INTERCAMBIADORES

Pos	Orobica Code	Model	Brand	Gasket Type	Q.ty
-	900.0177	M20M-T20M	ALFA LAVAL	CLIP-ON CHANNELPLATE GASKET	-



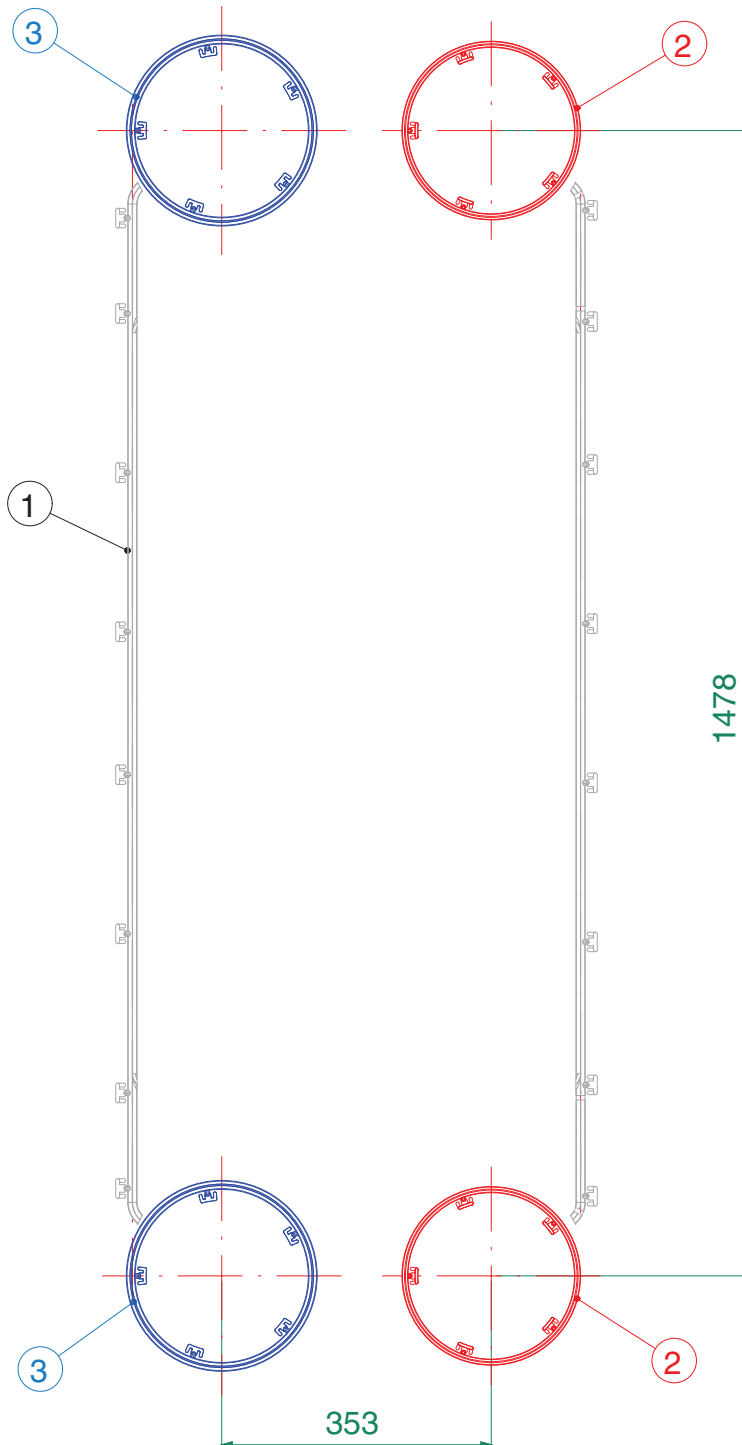
EXCHANGERS

ECHANGEURS

WÄRMEAUSTAUSCHER

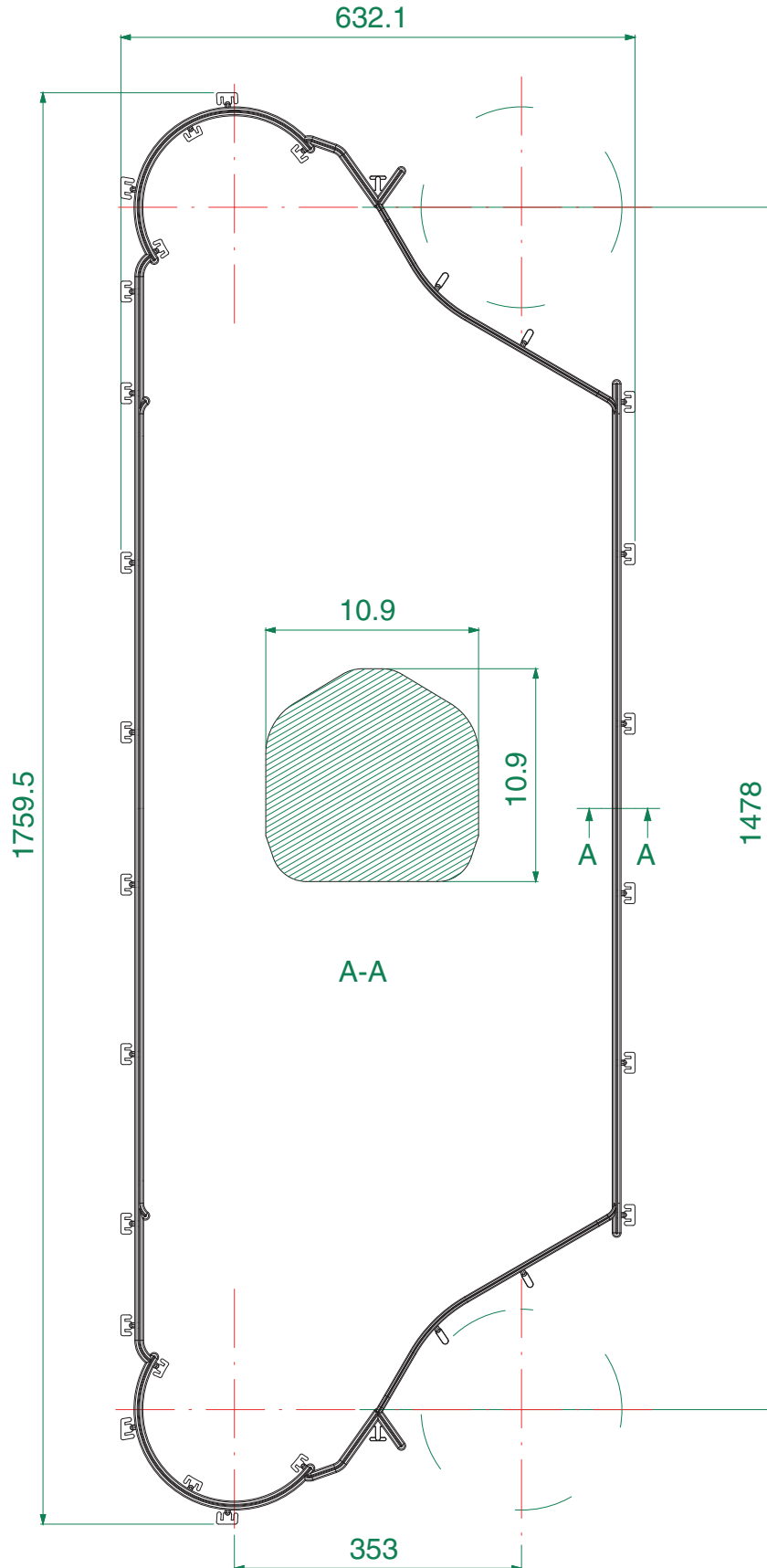
INTERCAMBIADORES

Pos	Orobica Code	Model	Brand	Gasket Type	Q.ty
1-3	900.0613	M20MW	ALFA LAVAL	END TWIN PLATE I SET	-
1	900.0177	M20MW	ALFA LAVAL	CLIP-ON CHANNELPLATE GASKET	1
2	900.0362	M20MW	ALFA LAVAL	LOW PORT-RING GASKET	2
3	900.0220	M20MW	ALFA LAVAL	HIGH PORT-RING GASKET	2



WE OBTAINED THE PART ① CUTTING ONE FLOW OUR CODE 900.0177

Pos	Orobica Code	Model	Brand	Gasket Type	Q.ty
-	900.0546	M20MW	ALFA LAVAL	FIELD GASKET CLIP-ON	-



EXCHANGERS

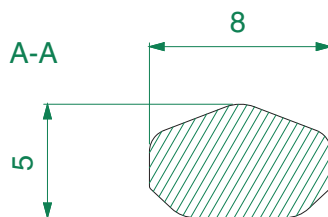
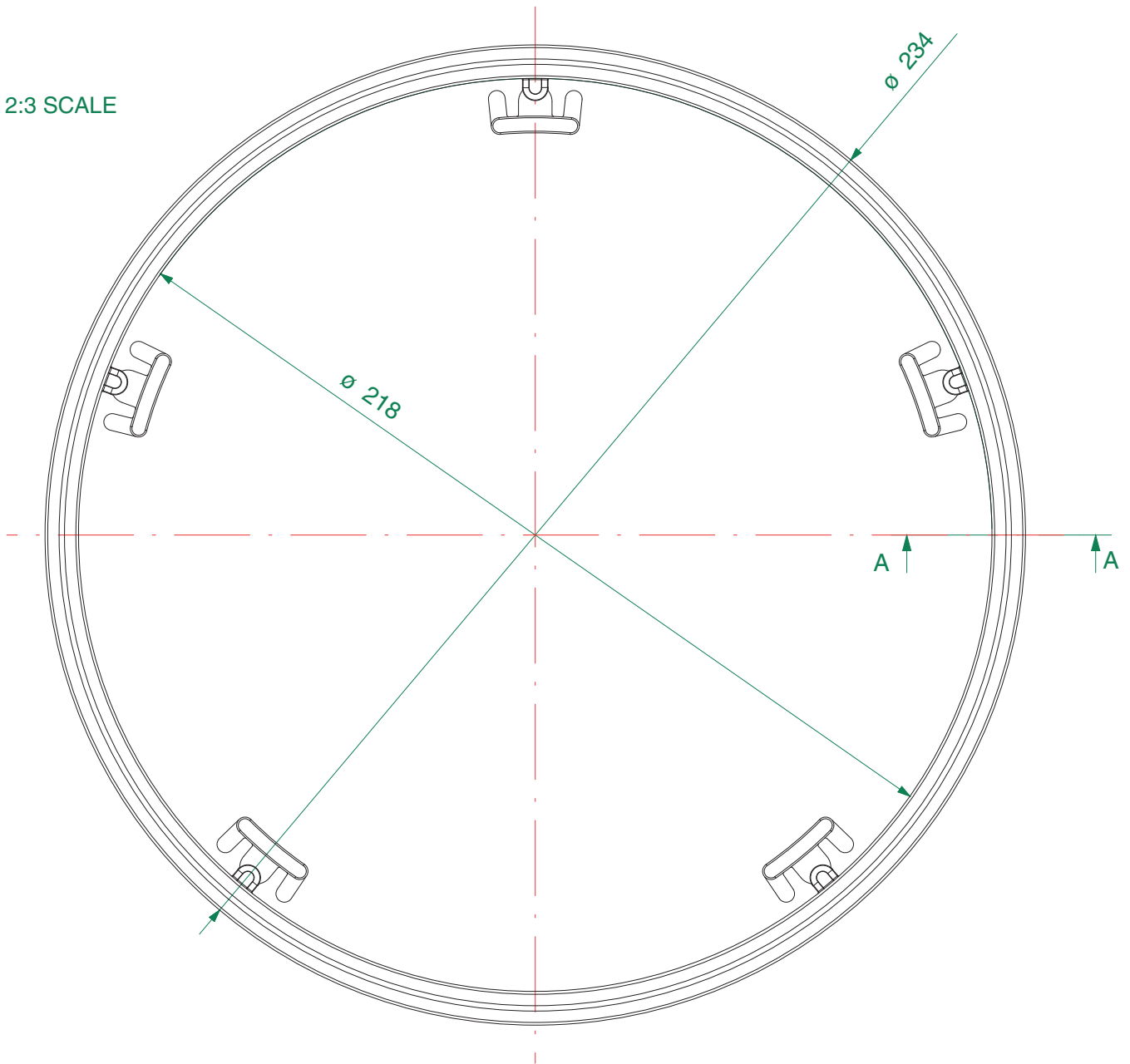
ECHANGEURS

WÄRMEAUSTAUSCHER

INTERCAMBIADORES

Pos	Orobica Code	Model	Brand	Gasket Type	Q.ty
-	900.0362	M20-MW	ALFA LAVAL	RING GASKET	-

2:3 SCALE



EXCHANGERS

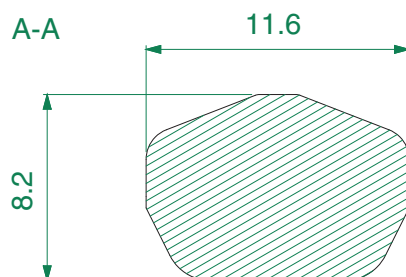
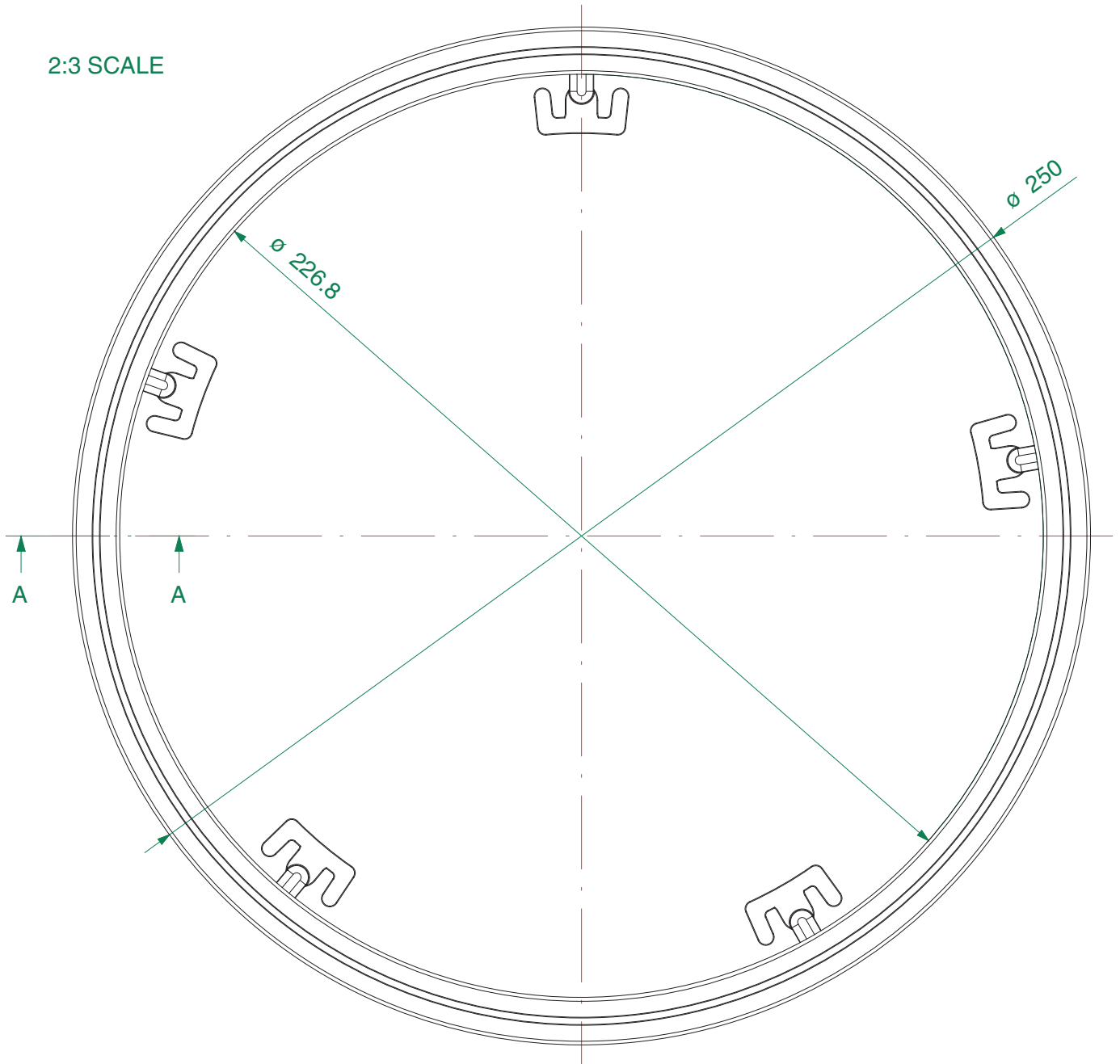
ECHANGEURS

WÄRMEAUSTAUSCHER

INTERCAMBIADORES

Pos	Orobica Code	Model	Brand	Gasket Type	Q.ty
-	900.0220	M20MW	ALFA LAVAL	HIGH PORT RING GASKET	-

2:3 SCALE



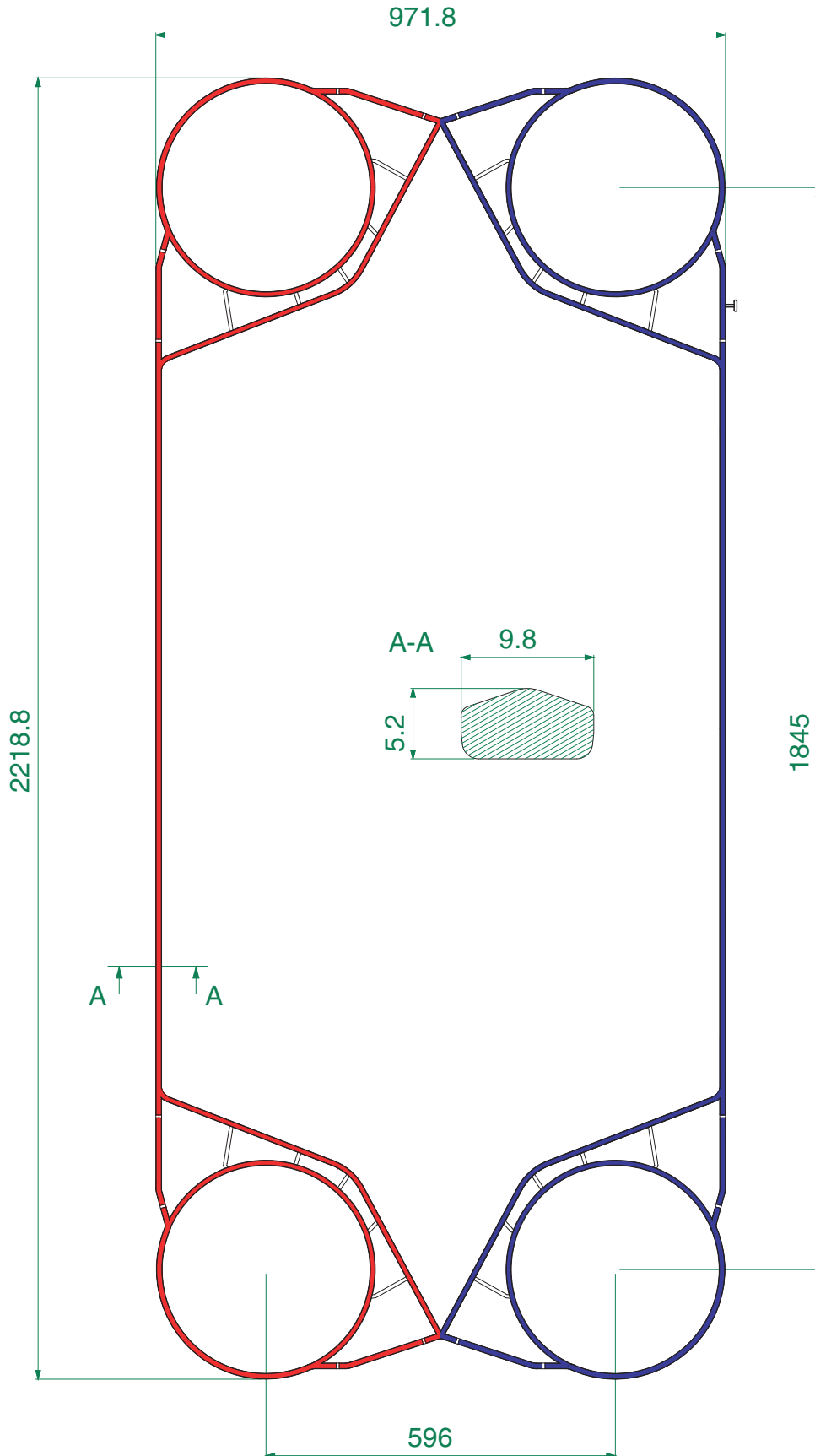
EXCHANGERS

ECHANGEURS

WÄRMEAUSTAUSCHER

INTERCAMBIADORES

Pos	Orobica Code	Model	Brand	Gasket Type	Q.ty
-	900.0397	M30	ALFA LAVAL	END PLATE GASKET II SET	-



WE OBTAIN END PLATE GASKET II SET CUTTING
TWO CHANNEL PLATE GASKETS OUR CODE 900.0372

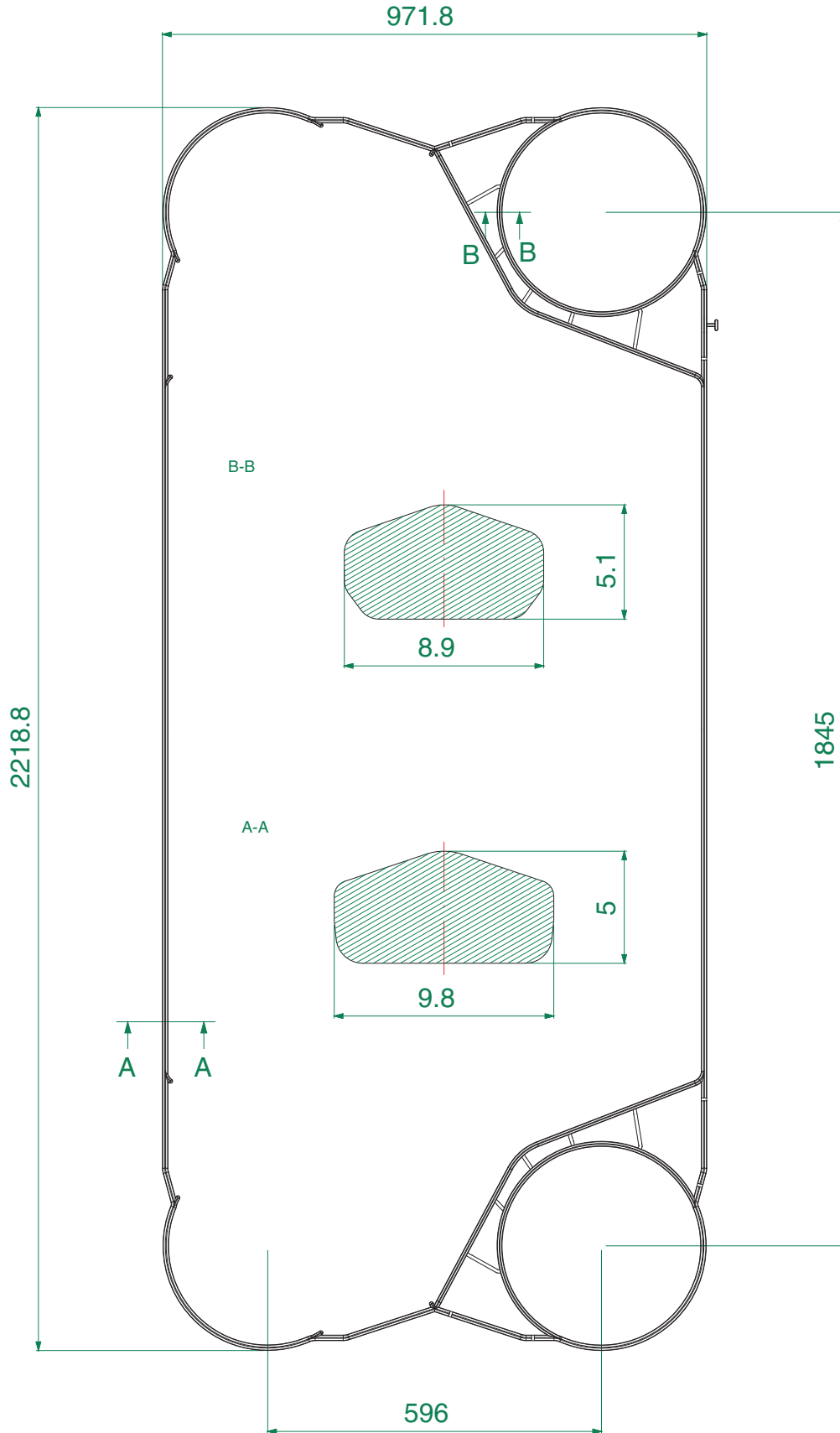
EXCHANGERS

ECHANGEURS

WÄRMEAUSTAUSCHER

INTERCAMBIADORES

Pos	Orobica Code	Model	Brand	Gasket Type	Q.ty
-	900.0372	M30	ALFA LAVAL	CHANNELPLATE GASKET	-



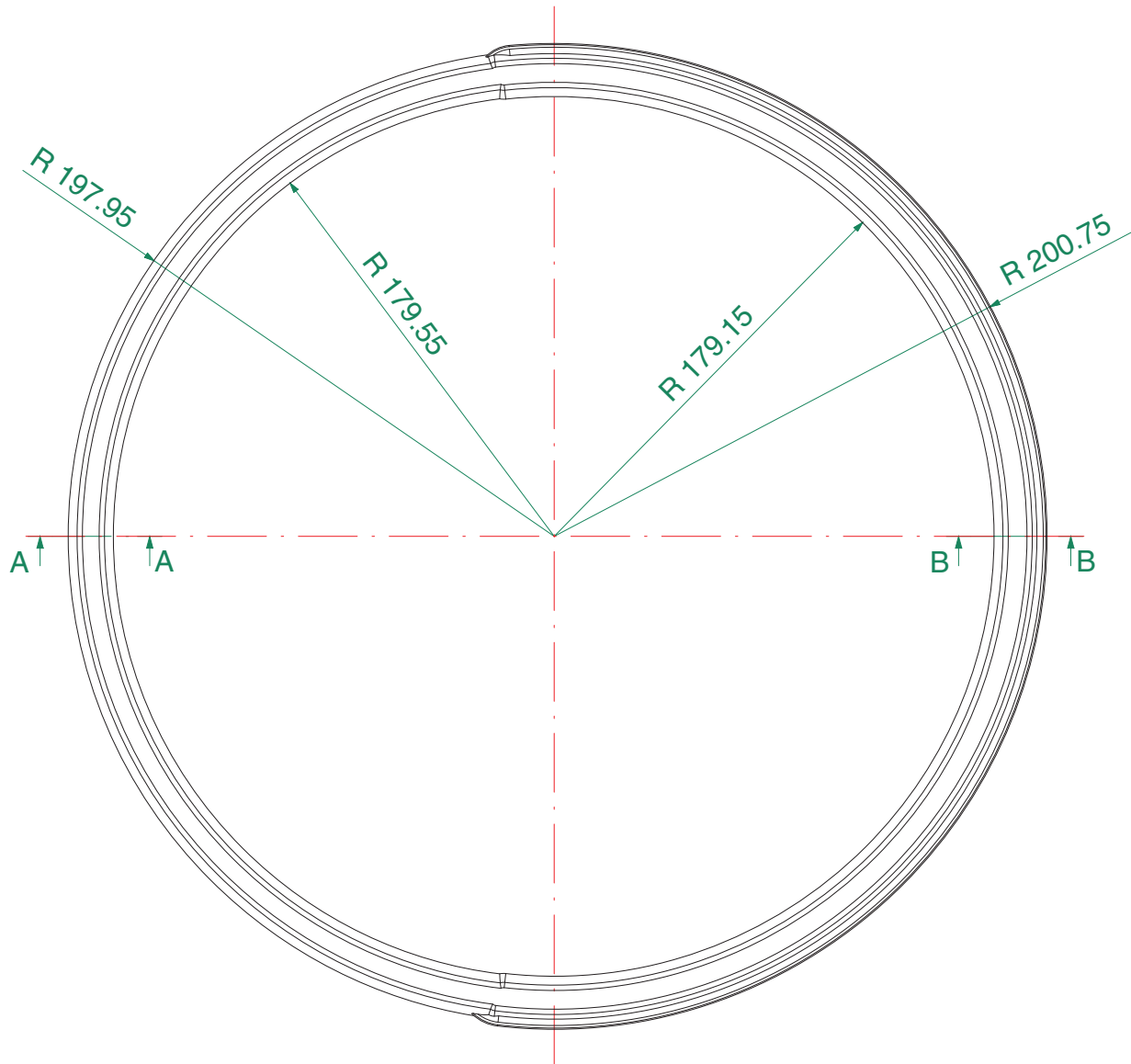
EXCHANGERS

ECHANGEURS

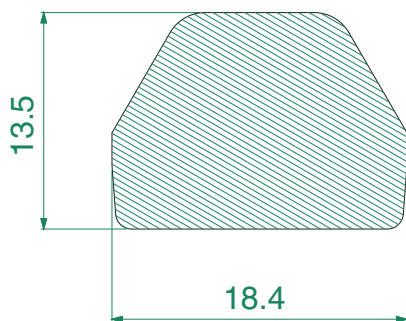
WÄRMEAUSTAUSCHER

INTERCAMBIADORES

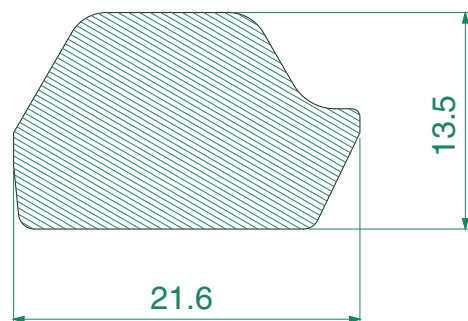
Pos	Orobica Code	Model	Brand	Gasket Type	Q.ty
-	900.0629	MA30S	ALFA LAVAL	PORT-RING END-PLATE GASKET II H=13.5mm	-



Sez. A-A



Sez. B-B



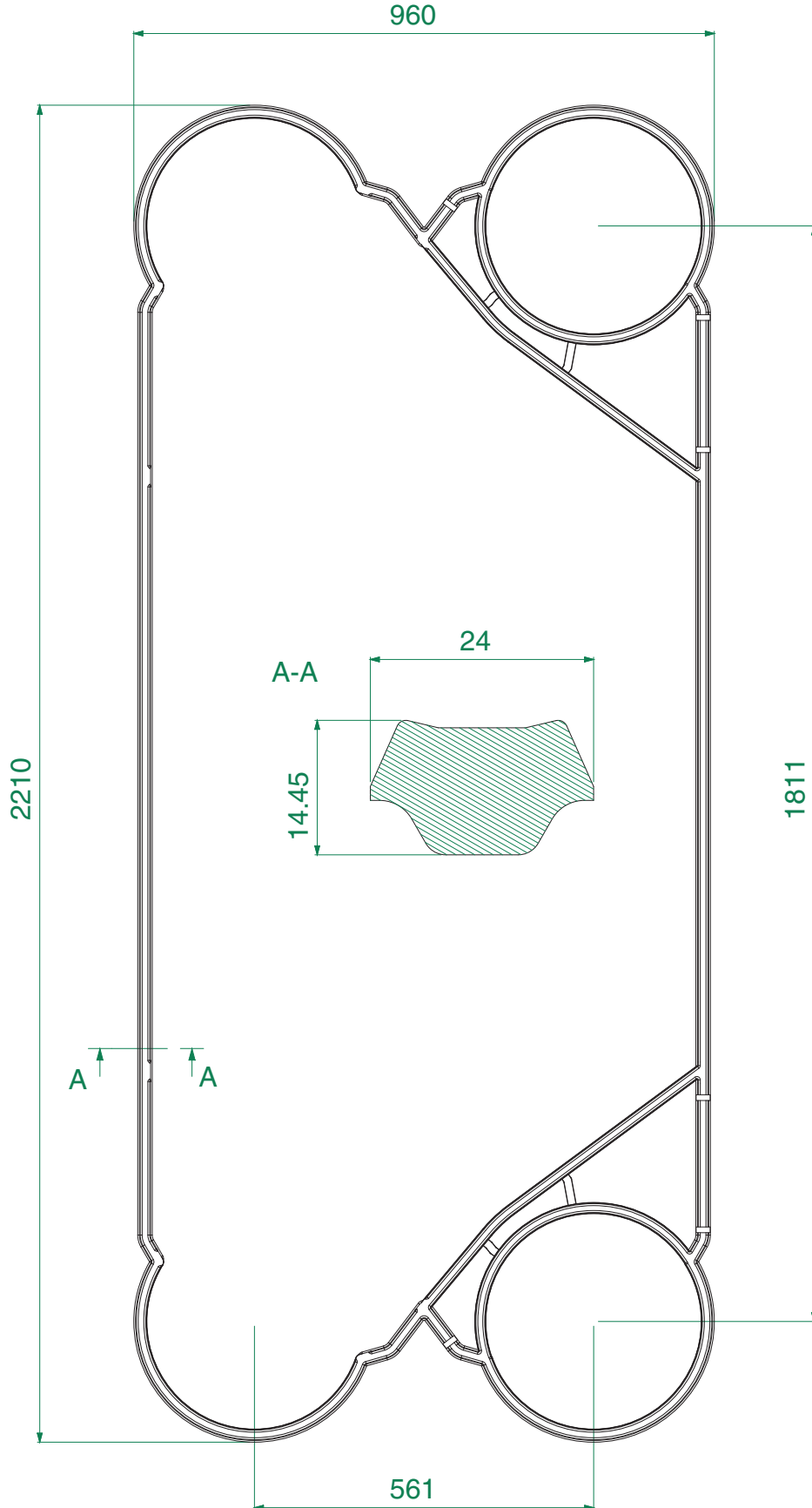
EXCHANGERS

ECHANGEURS

WÄRMEAUSTAUSCHER

INTERCAMBIADORES

Pos	Orobica Code	Model	Brand	Gasket Type	Q.ty
-	900.0381	MA30-S	ALFA LAVAL	CHANNELPLATE GASKET	-



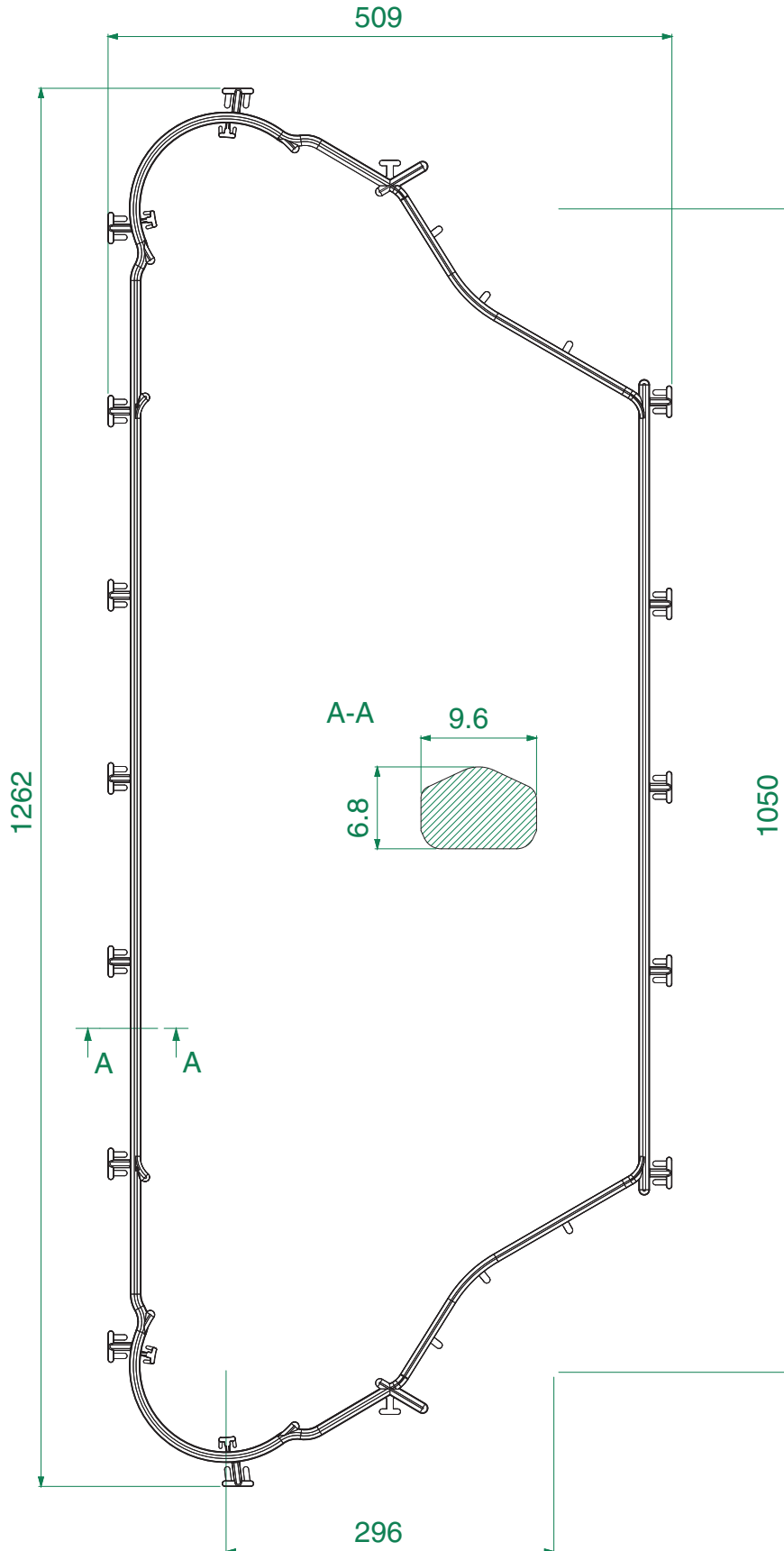
EXCHANGERS

ECHANGEURS

WÄRMEAUSTAUSCHER

INTERCAMBIADORES

Pos	Orobica Code	Model	Brand	Gasket Type	Q.ty
-	900.0341	MK15BW	ALFA LAVAL	FIELD GASKET	-



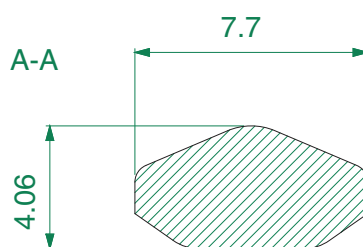
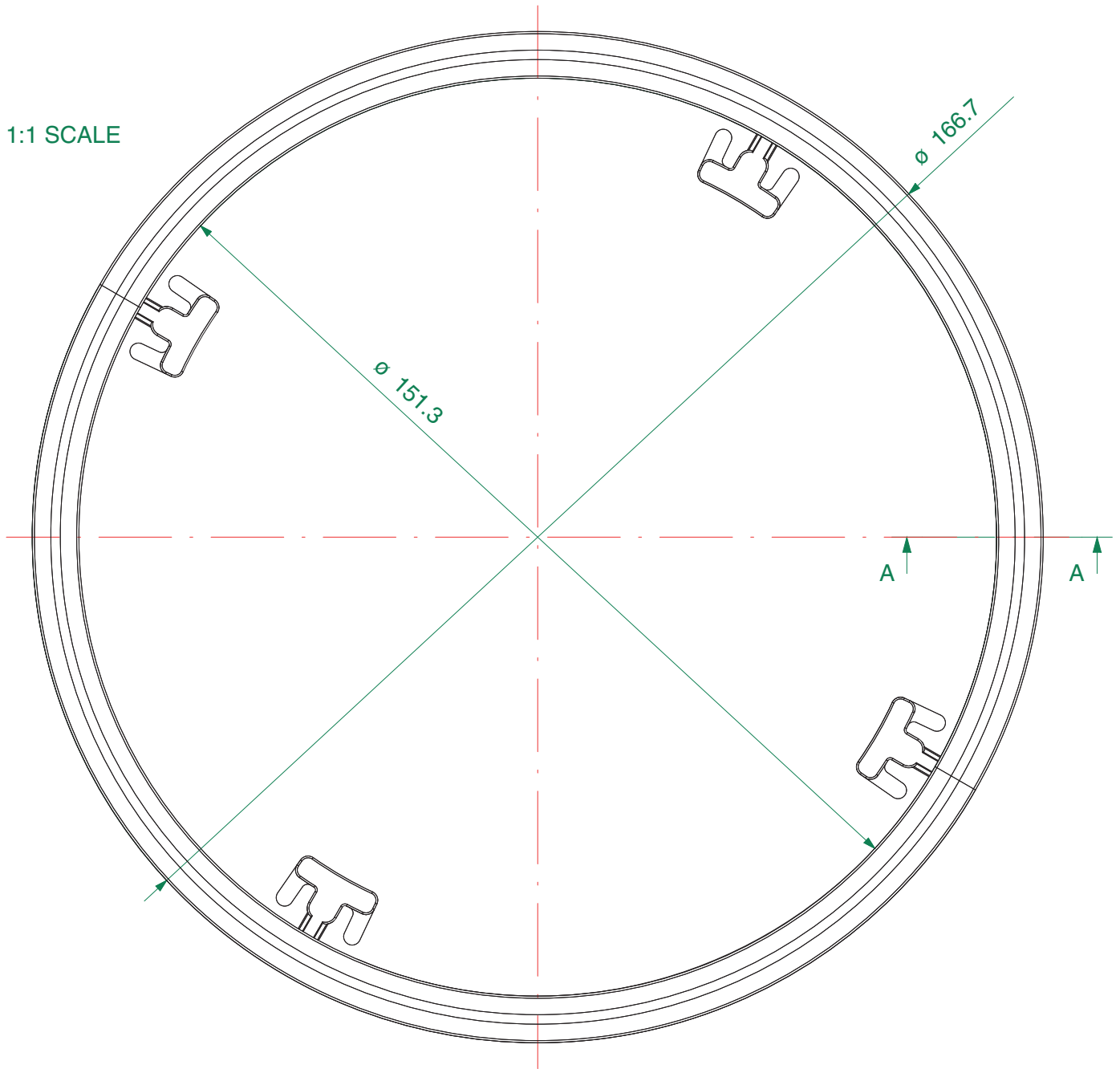
EXCHANGERS

ECHANGEURS

WÄRMEAUSTAUSCHER

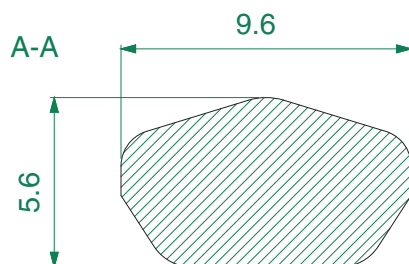
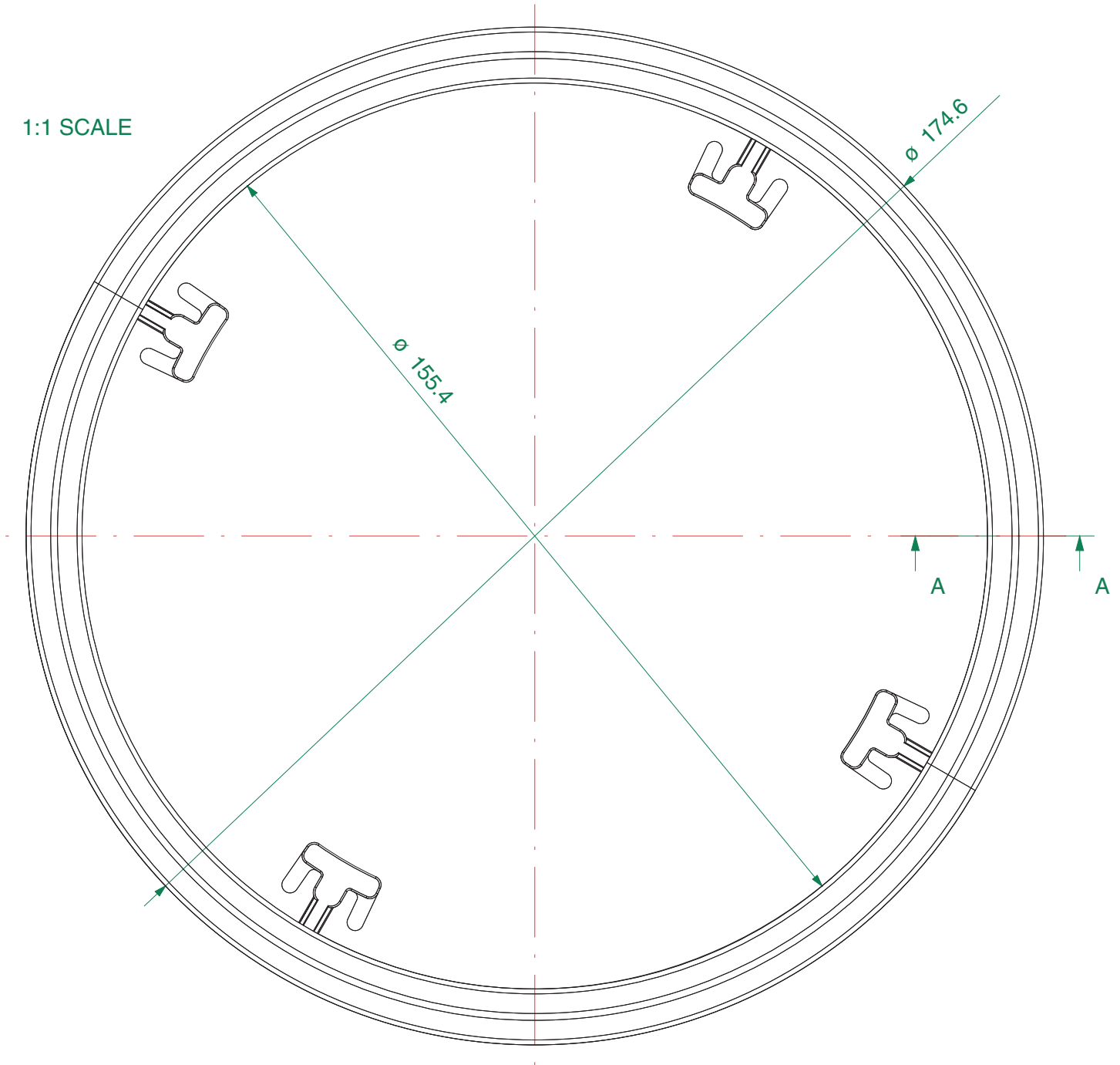
INTERCAMBIADORES

Pos	Orobica Code	Model	Brand	Gasket Type	Q.ty
-	900.0342	MK15BW	ALFA LAVAL	LOW RING GASKET	-



Pos	Orobica Code	Model	Brand	Gasket Type	Q.ty
-	900.0343	MK15BW	ALFA LAVAL	HIGH RING GASKET	-

1:1 SCALE



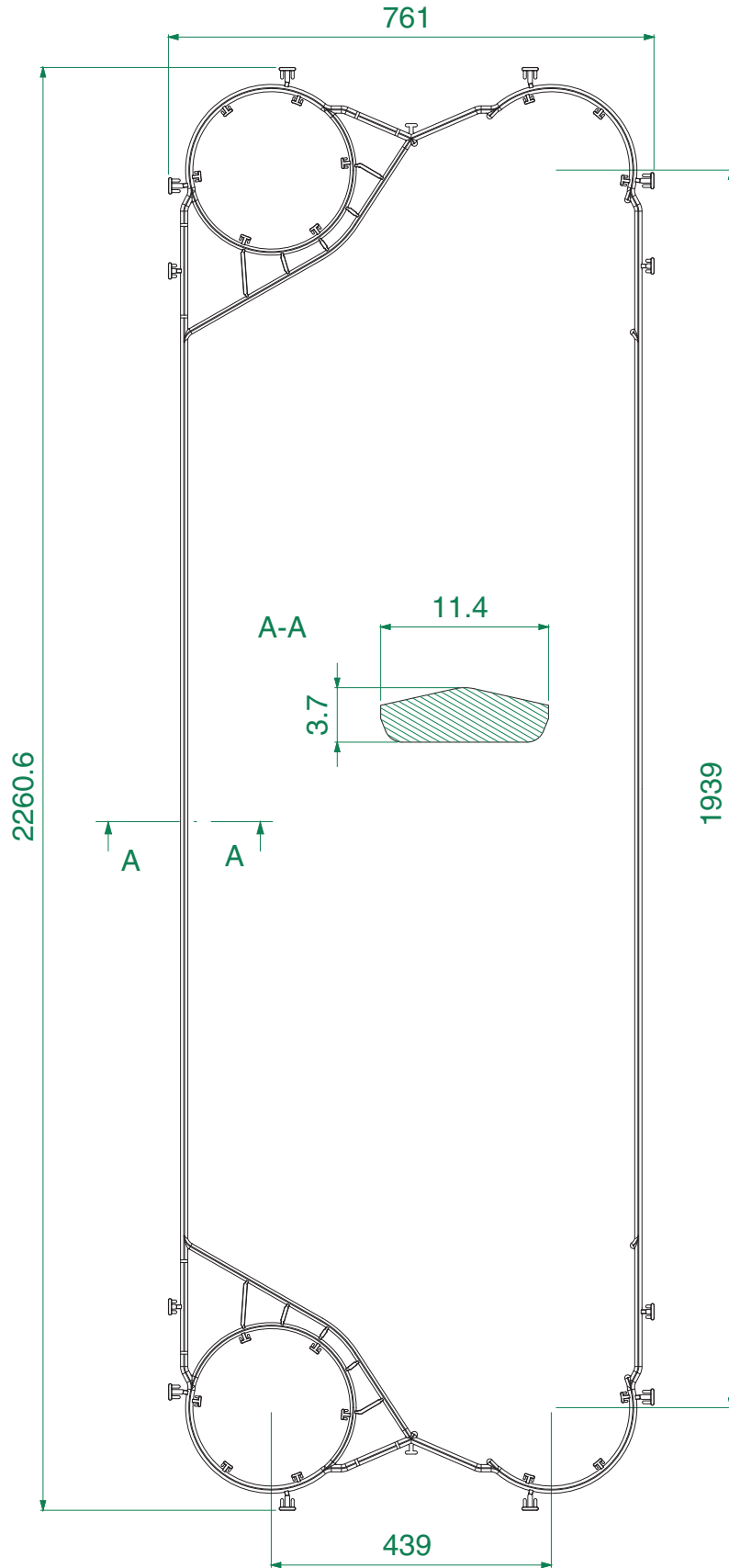
EXCHANGERS

ECHANGEURS

WÄRMEAUSTAUSCHER

INTERCAMBIADORES

Pos	Orobica Code	Model	Brand	Gasket Type	Q.ty
-	900.0434	MX25-B	ALFA LAVAL	CLIP-ON CHANNELPLATE GASKET	-



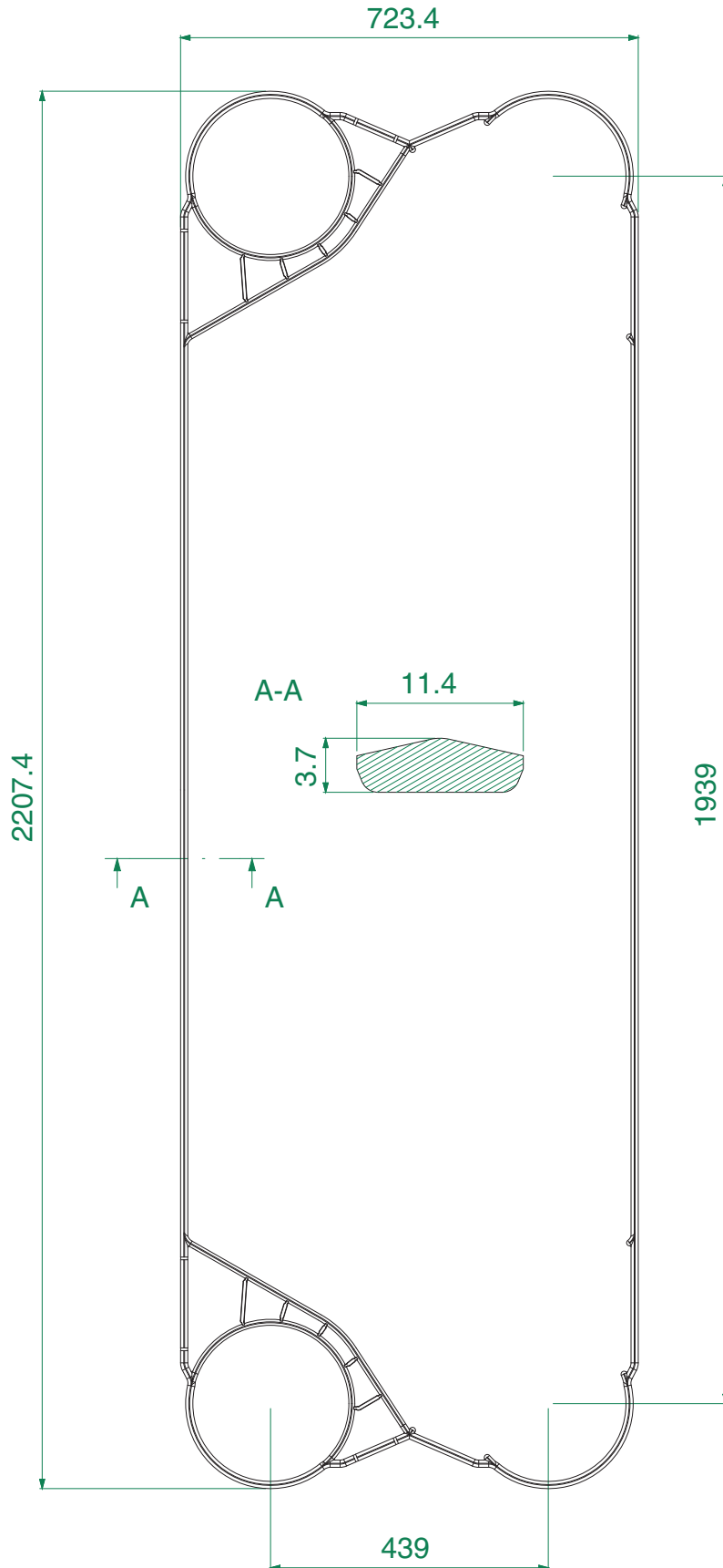
EXCHANGERS

ECHANGEURS

WÄRMEAUSTAUSCHER

INTERCAMBIADORES

Pos	Orobica Code	Model	Brand	Gasket Type	Q.ty
-	900.0435	MX25-B	ALFA LAVAL	GLUED CHANNEL PLATE GASKET	-



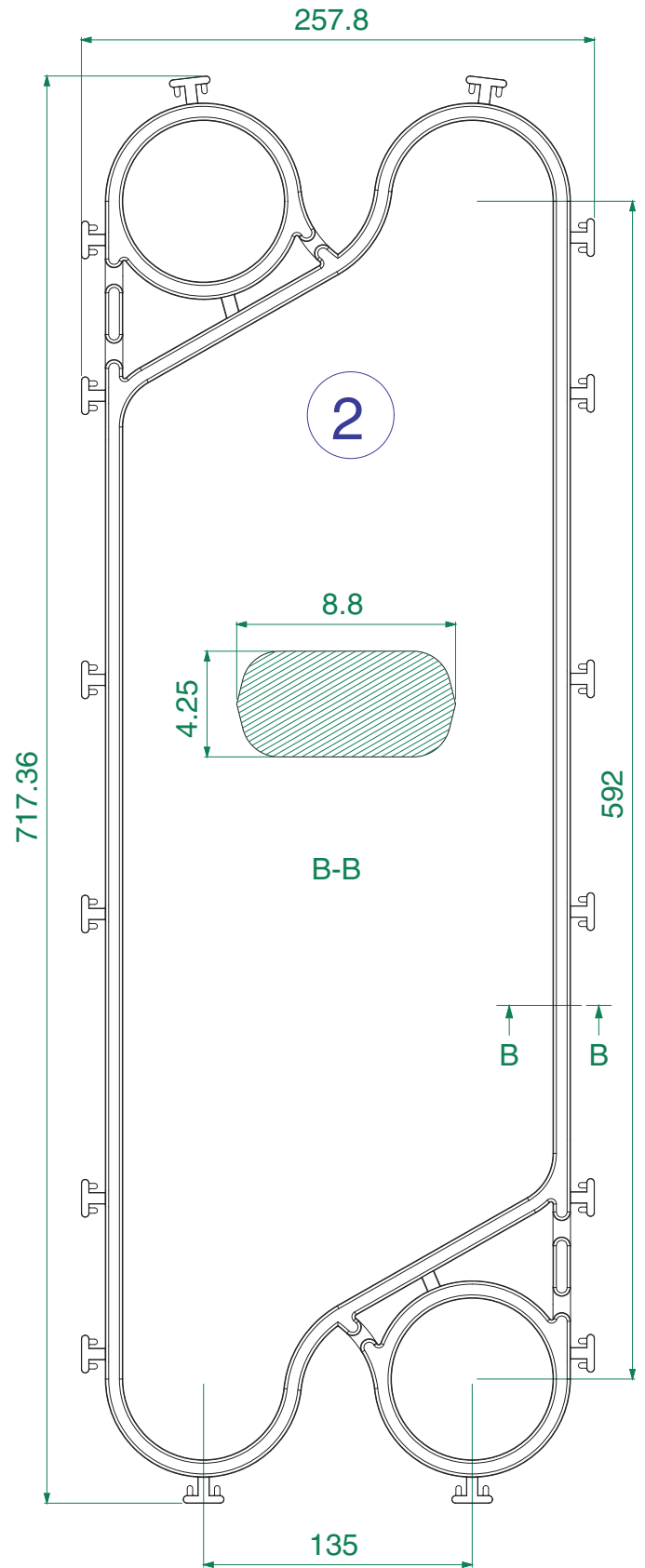
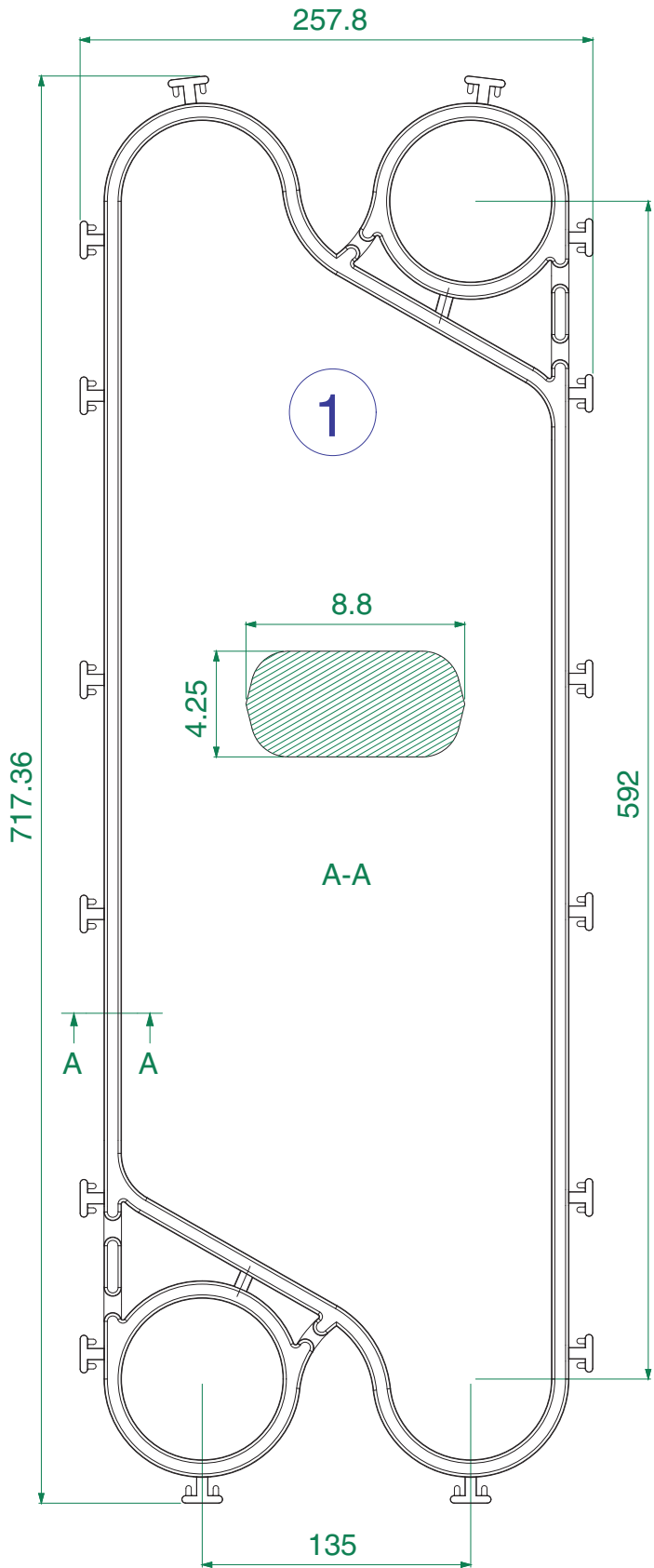
EXCHANGERS

ECHANGEURS

WÄRMEAUSTAUSCHER

INTERCAMBIADORES

Pos	Orobica Code	Model	Brand	Gasket Type	Q.ty
1	900.0526	P2/P22 A	ALFA LAVAL	CLIP-ON CHANNELPLATE - GASKET A	-
2	900.0527	P2/P22 B	ALFA LAVAL	CLIP-ON CHANNELPLATE - GASKET B	-



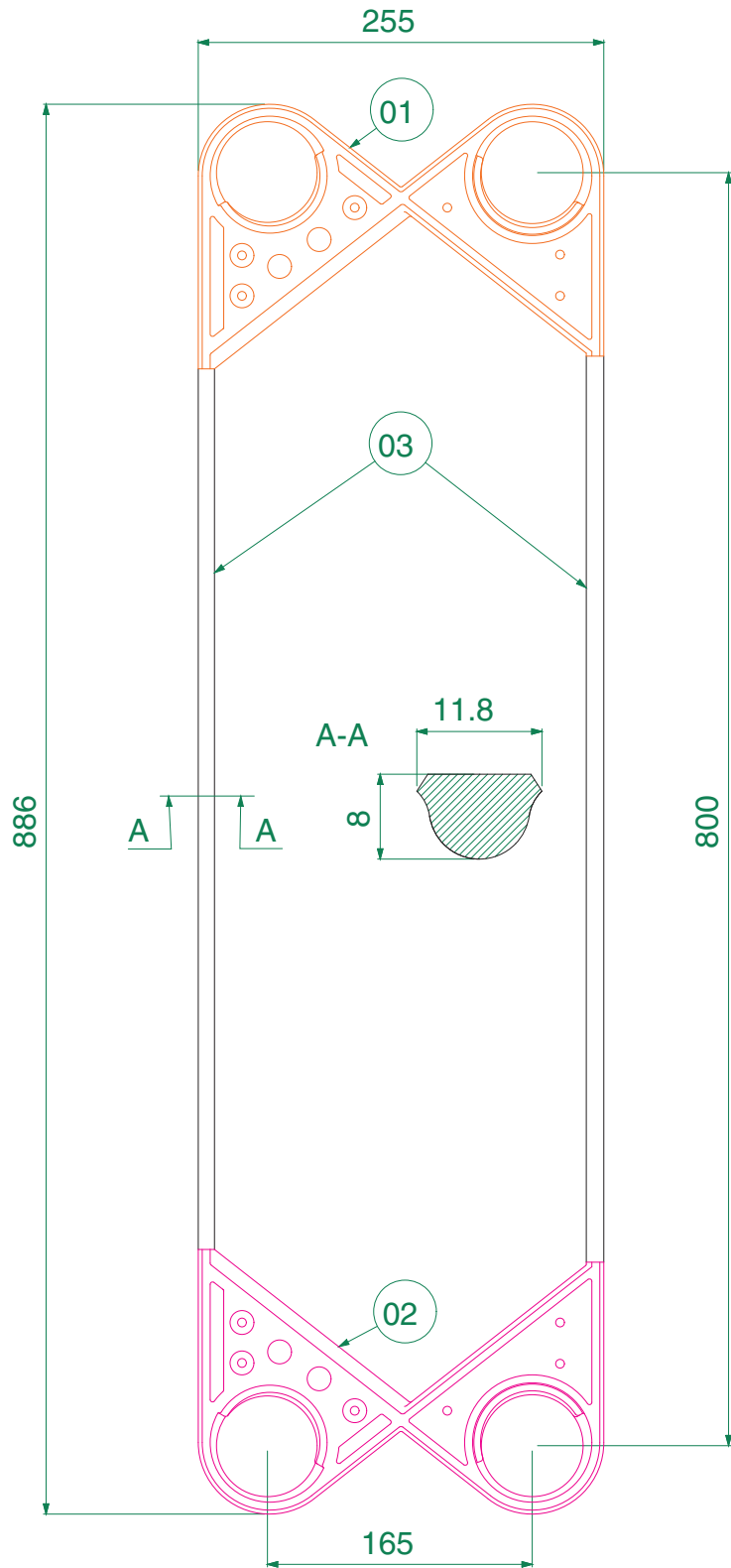
EXCHANGERS

ECHANGEURS

WÄRMEAUSTAUSCHER

INTERCAMBIADORES

Pos	Orobica Code	Model	Brand	Gasket Type	Q.ty
1-3	900.0235	P13	ALFA LAVAL	ENDPLATE II GASKET SET	01
01	900.0063	P13	ALFA LAVAL	INITIAL-END RIGHT HEAD	01
02	900.0064	P13	ALFA LAVAL	INITIAL-END LEFT HEAD	01
03	900.0065	P13	ALFA LAVAL	SUPPORT	02



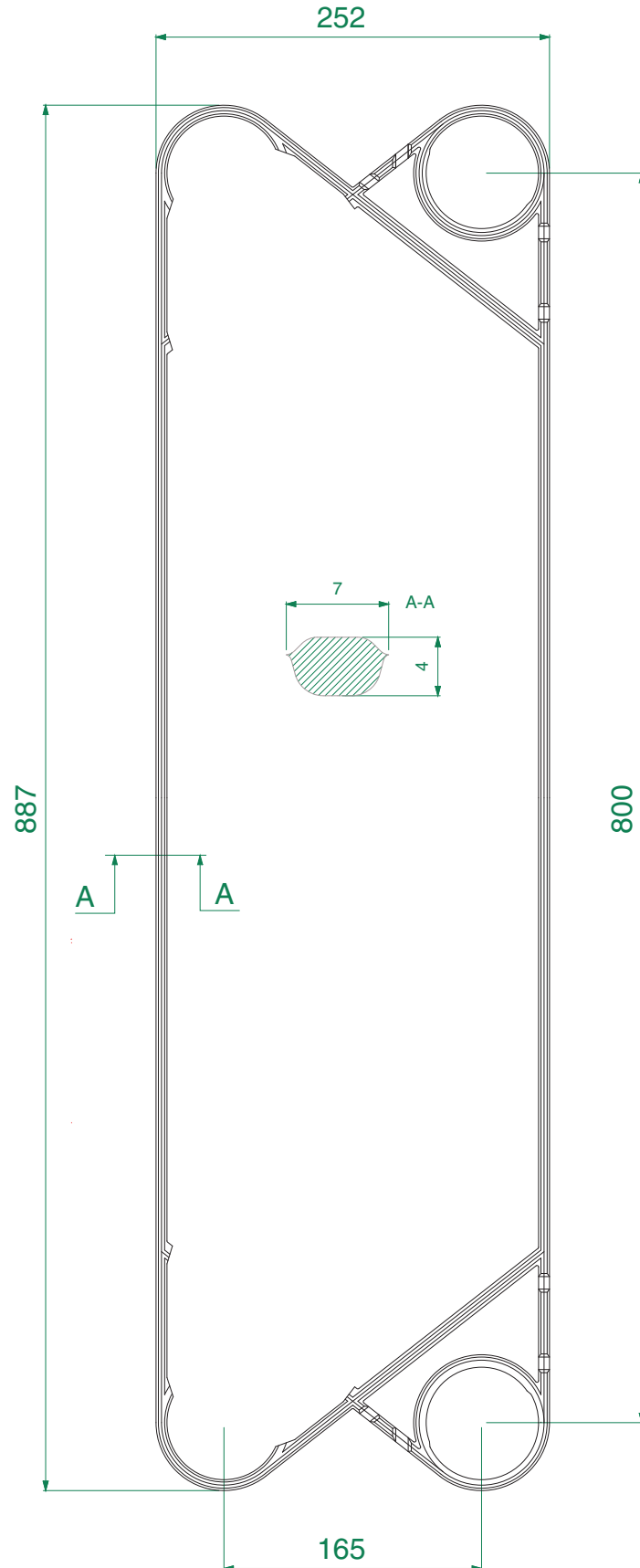
EXCHANGERS

ECHANGEURS

WÄRMEAUSTAUSCHER

INTERCAMBIADORES

Pos	Orobica Code	Model	Brand	Gasket Type	Q.ty
-	900.0062	P13	ALFA LAVAL	CHANNELPLATE GASKET	-



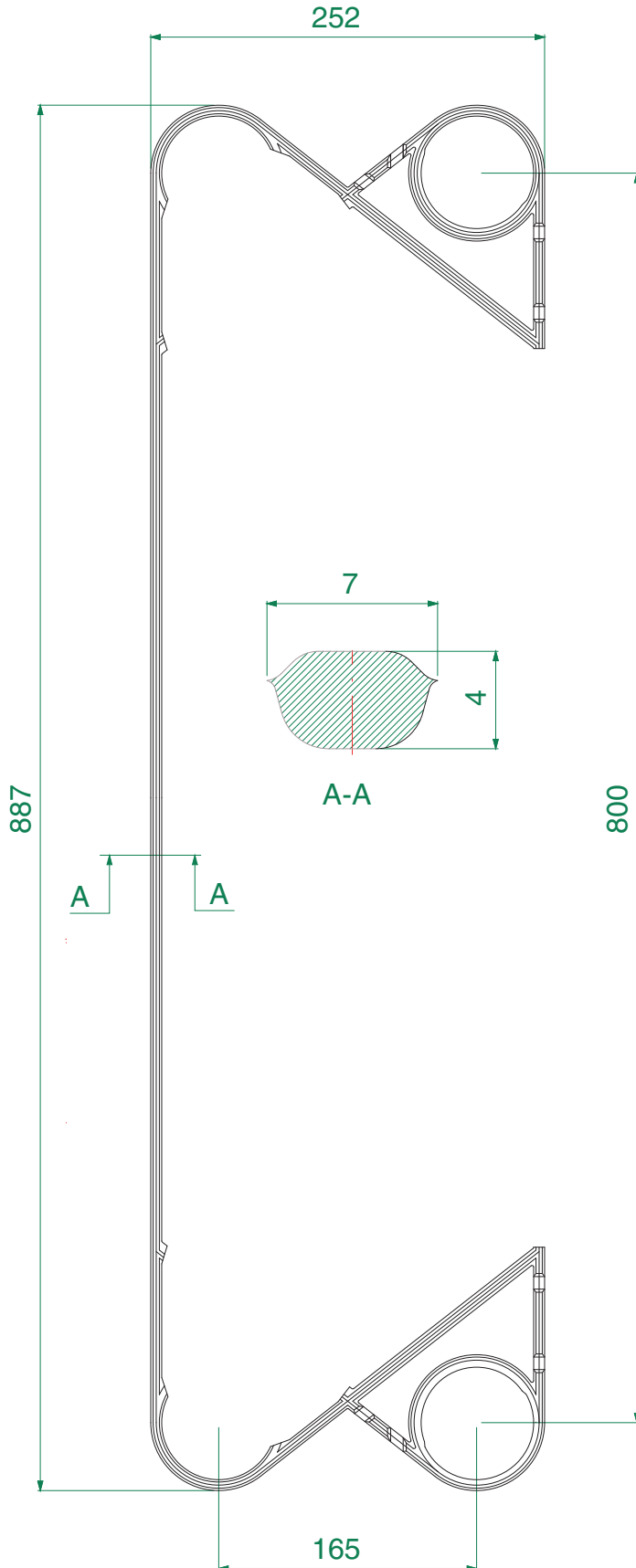
EXCHANGERS

ECHANGEURS

WÄRMEAUSTAUSCHER

INTERCAMBIADORES

Pos	Orobica Code	Model	Brand	Gasket Type	Q.ty
-	900.0399	P13	ALFA LAVAL	OPEN PLATE GASKET FOR P135	-



WE OBTAIN OPEN PLATE GASKET FOR P135 CUTTING
ONE CHANNEL PLATE GASKE P13 OUR CODE 900.0062

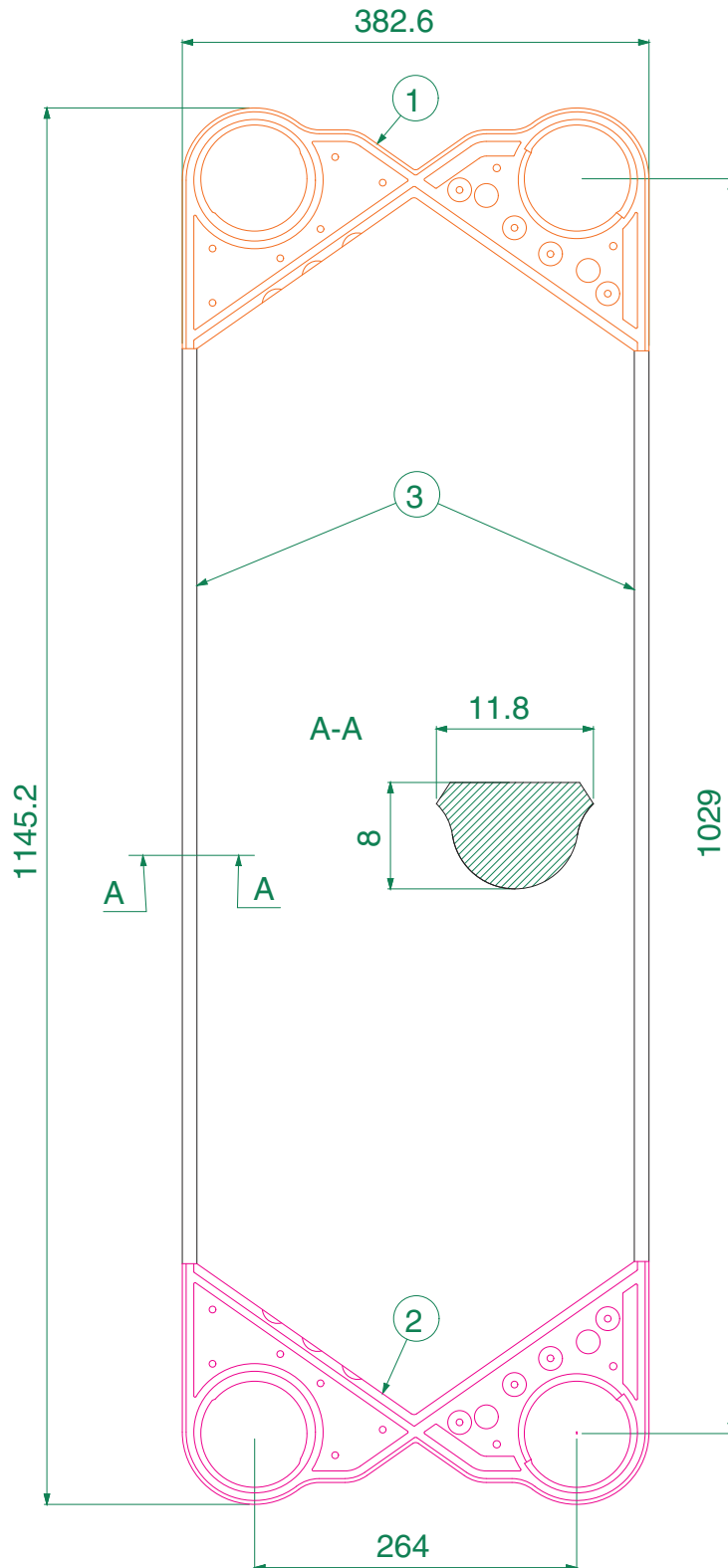
EXCHANGERS

ECHANGEURS

WÄRMEAUSTAUSCHER

INTERCAMBIADORES

Pos	Orobica Code	Model	Brand	Gasket Type	Q.ty
1-3	900.0234	P14	ALFA LAVAL	ENDPLATE II GASKET SET	01
01	900.0075	P14	ALFA LAVAL	INITIAL-END RIGHT HEAD	01
02	900.0076	P14	ALFA LAVAL	INITIAL-END LEFT HEAD	01
03	900.0065	P14	ALFA LAVAL	SUPPORT GASKET	02



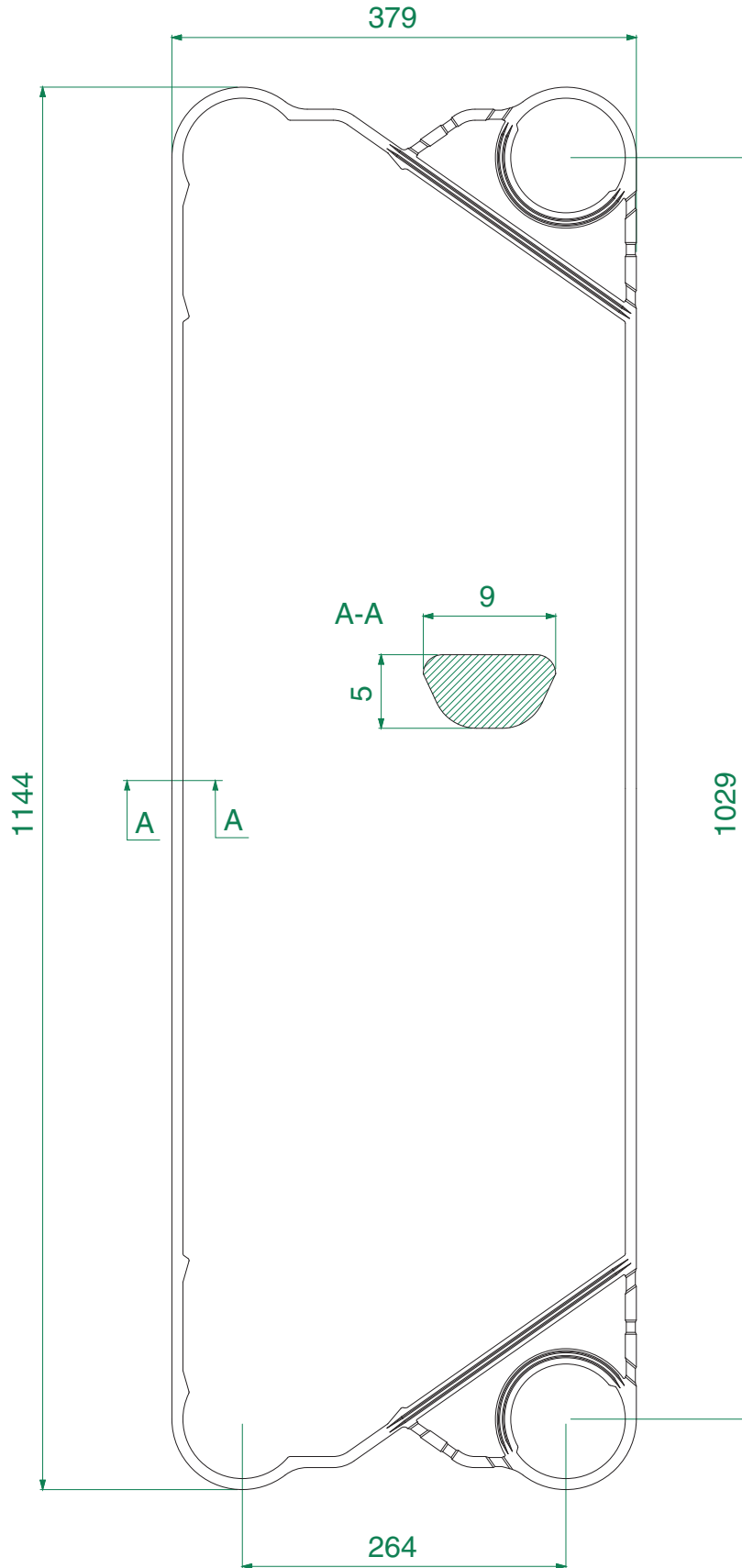
EXCHANGERS

ECHANGEURS

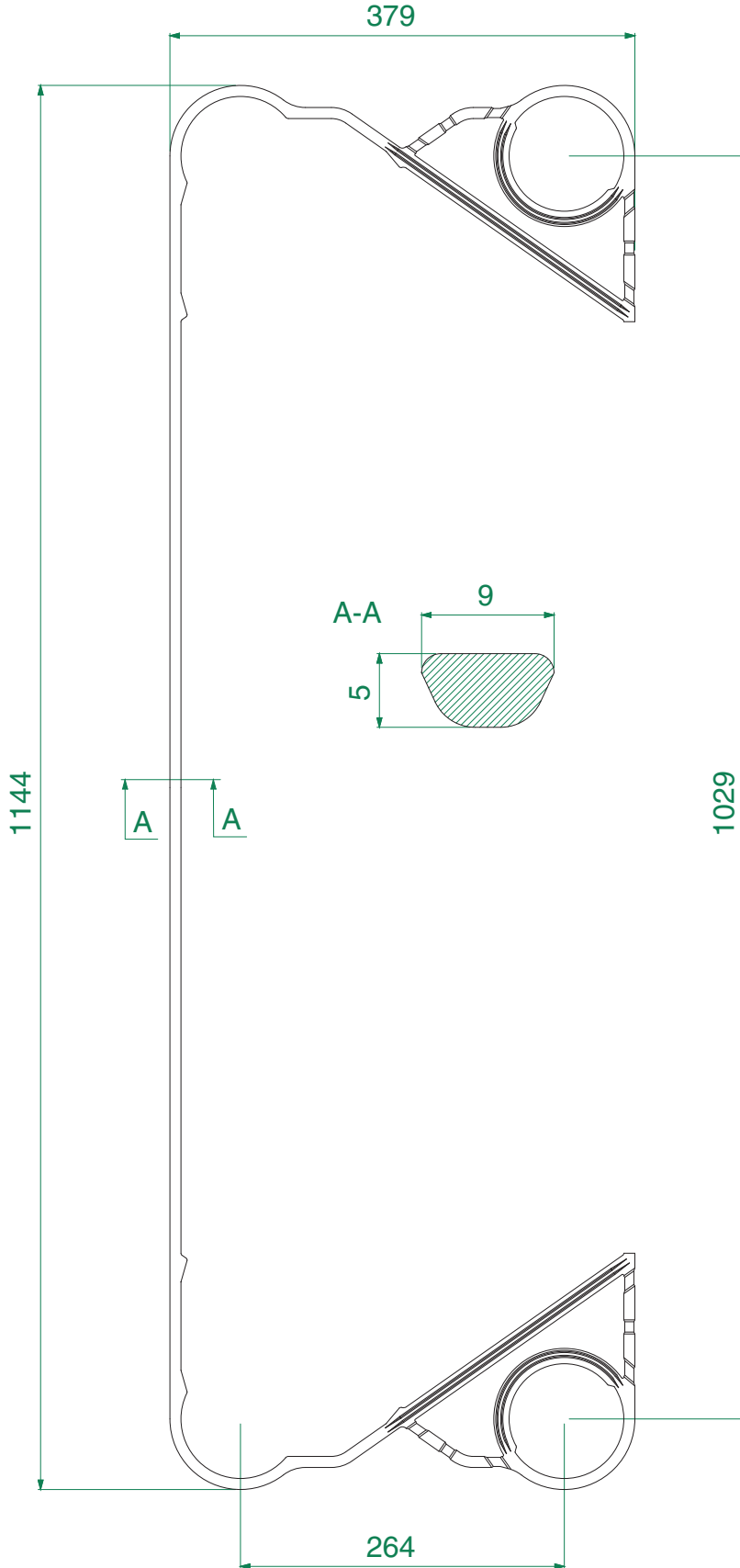
WÄRMEAUSTAUSCHER

INTERCAMBIADORES

Pos	Orobica Code	Model	Brand	Gasket Type	Q.ty
-	900.0066	P14	ALFA LAVAL	CHANNELPLATE GASKET	-



Pos	Orobica Code	Model	Brand	Gasket Type	Q.ty
-	900.0400	P14 - P145	ALFA LAVAL	OPEN PLATE GASKET FOR P145	-



WE OBTAIN OPEN PLATE GASKET FOR P145 CUTTING
 ONE P14 CHANNEL PLATE GASKET OUR CODE 900.0066

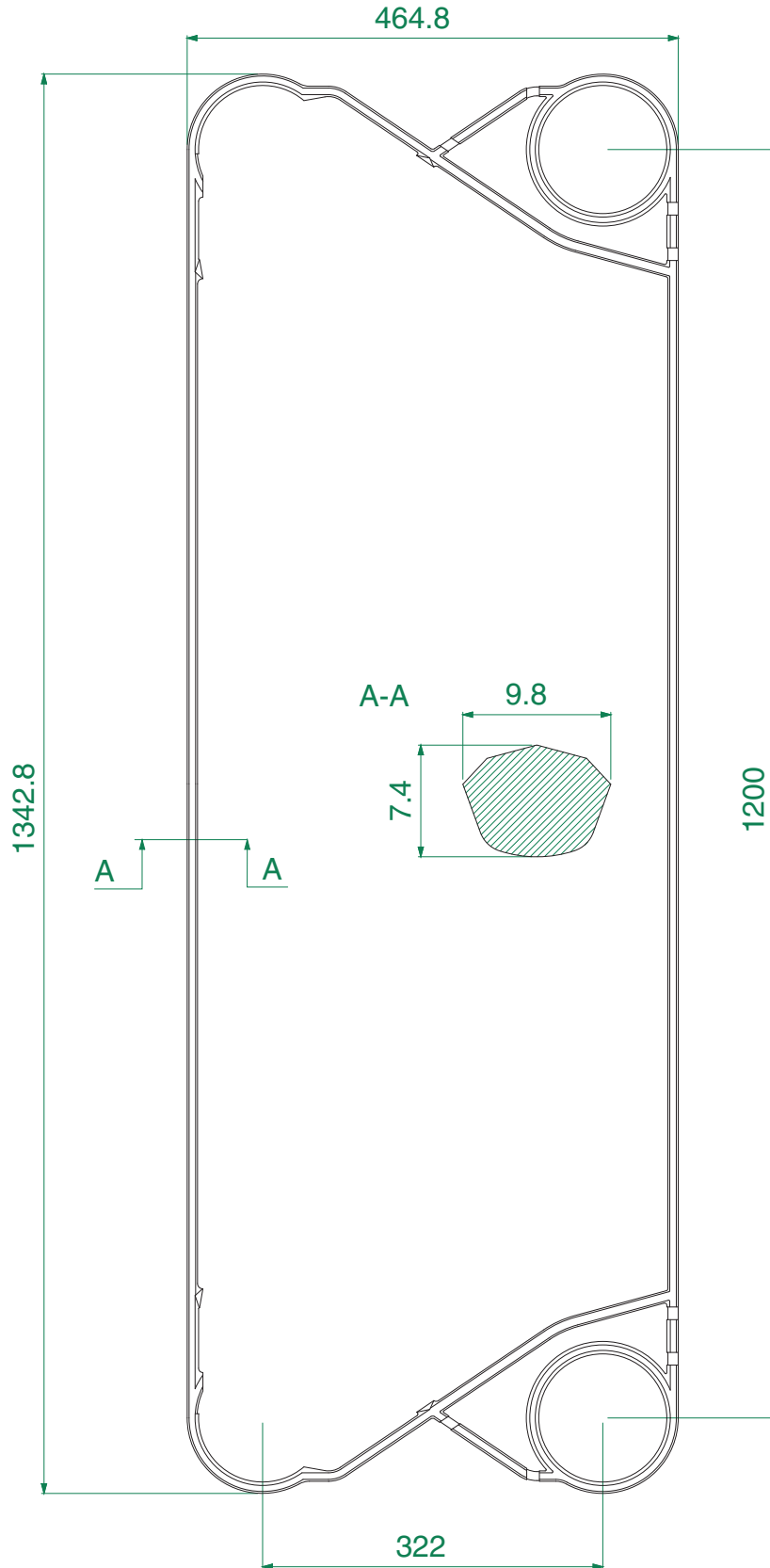
EXCHANGERS

ECHANGEURS

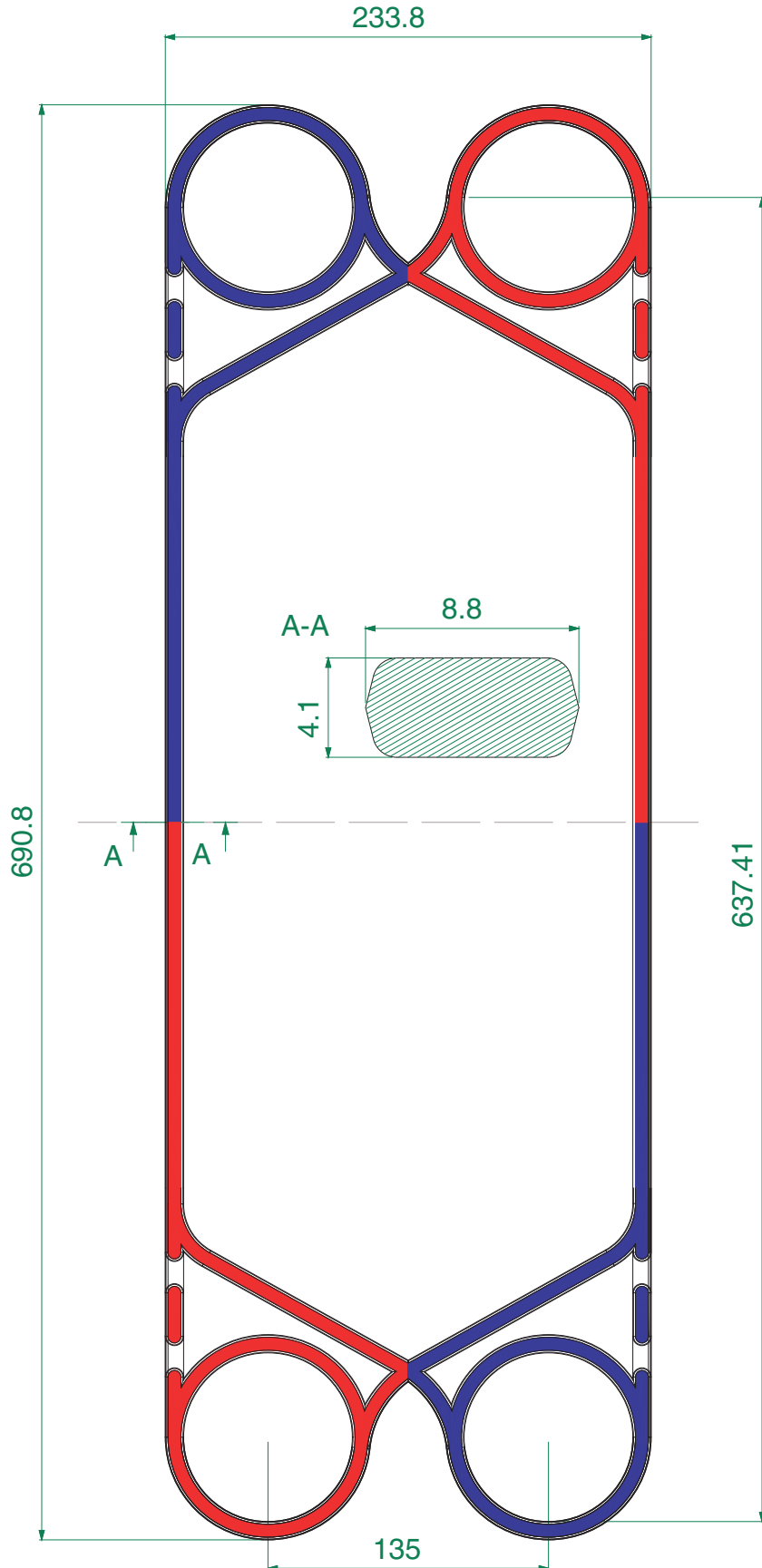
WÄRMEAUSTAUSCHER

INTERCAMBIADORES

Pos	Orobica Code	Model	Brand	Gasket Type	Q.ty
-	900.0087	P15	ALFA LAVAL	CHANNELPLATE GASKET	-



Pos	Orobica Code	Model	Brand	Gasket Type	Q.ty
01	900.0404	P22	ALFA LAVAL	GLUED FLAT END GASKET II SET	-



WE OBTAIN FLAT END GASKET II SET CUTTING
 ONE FLAT CHANNEL PLATE GASKET OUR CODE 900.0265 - 900.0526
 ONE FLAT CHANNEL PLATE GASKET OUR CODE 900.0266 - 900.0527

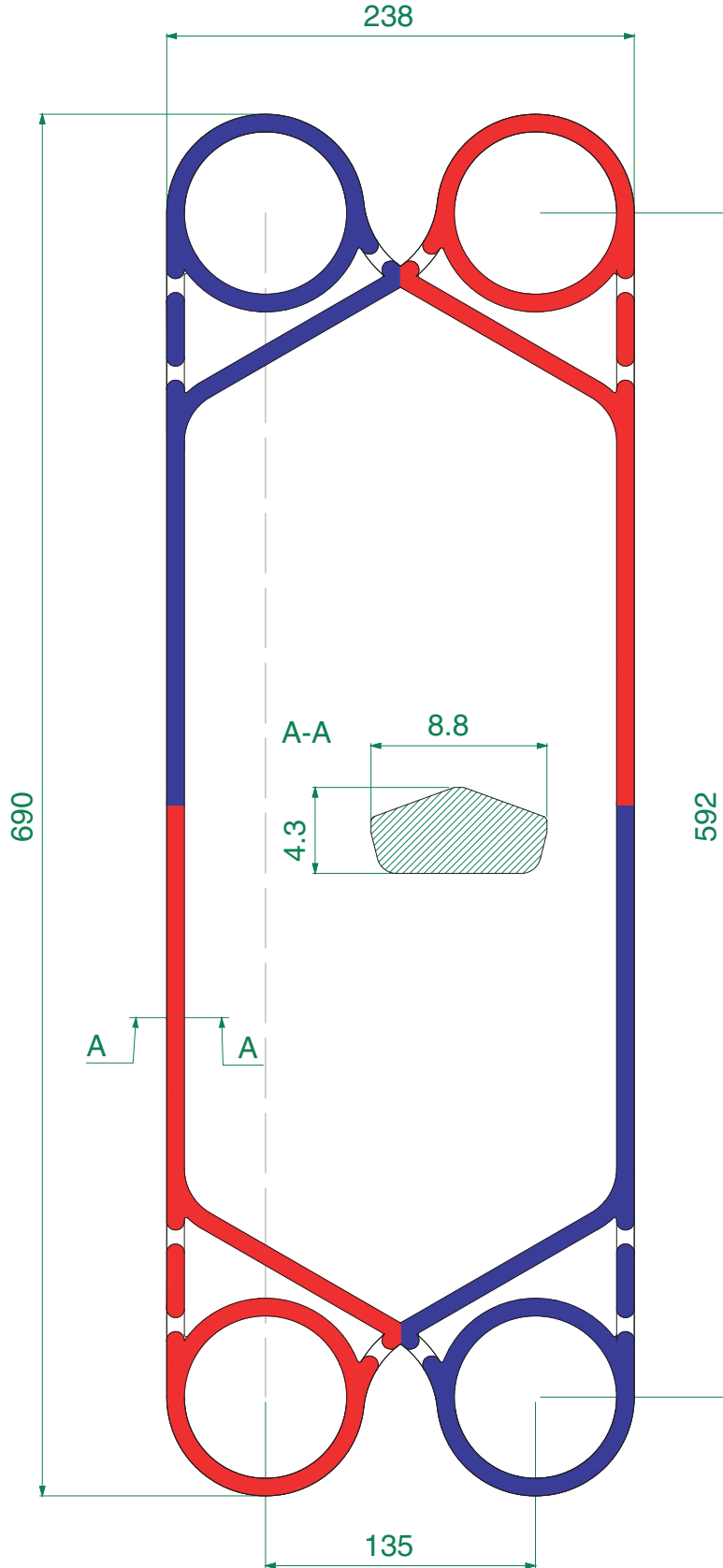
EXCHANGERS

ECHANGEURS

WÄRMEAUSTAUSCHER

INTERCAMBIADORES

Pos	Orobica Code	Model	Brand	Gasket Type	Q.ty
01	900.0403	P22	ALFA LAVAL	GLUED PEAKED END GASKET II SET	-



WE OBTAIN END GASKET II SET CUTTING
 ONE CHANNEL GASKET A TYPE OUR CODE 900.0141
 ONE CHANNEL GASKET B TYPE OUR CODE 900.0142

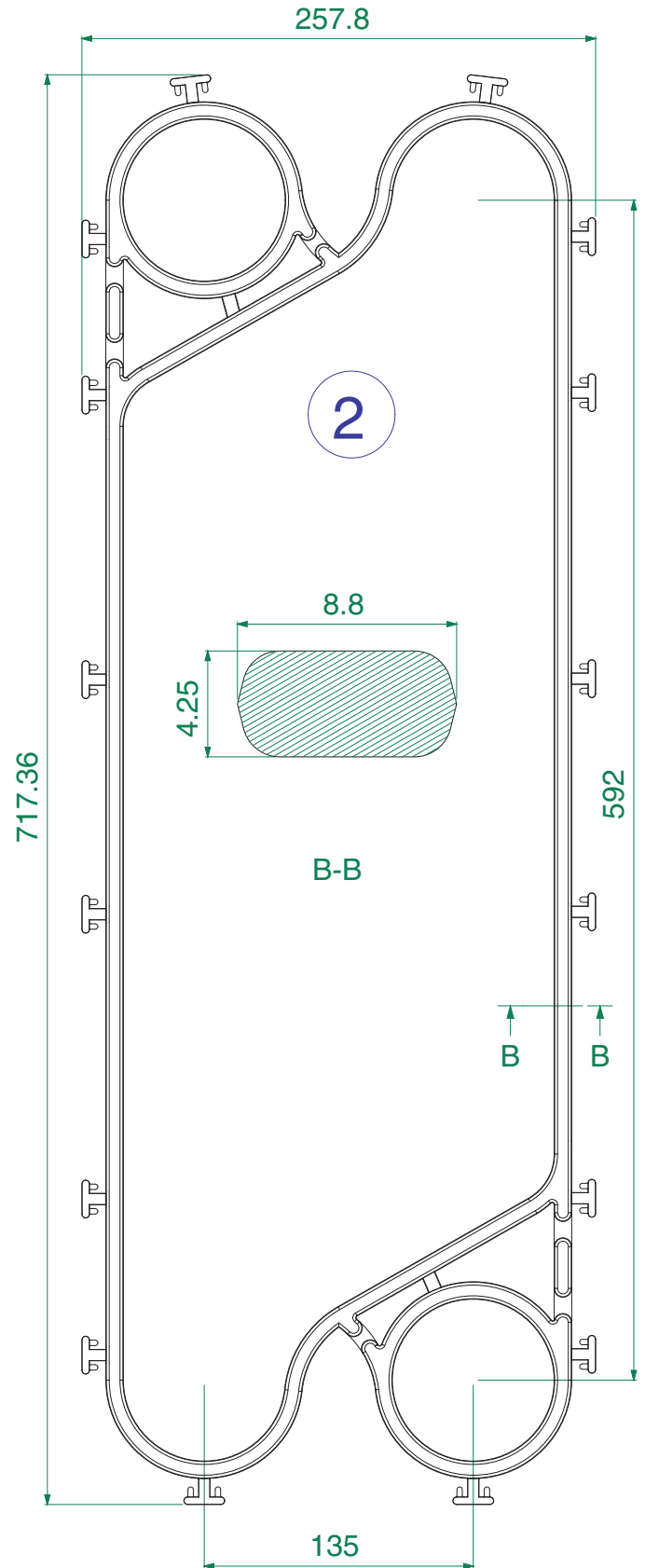
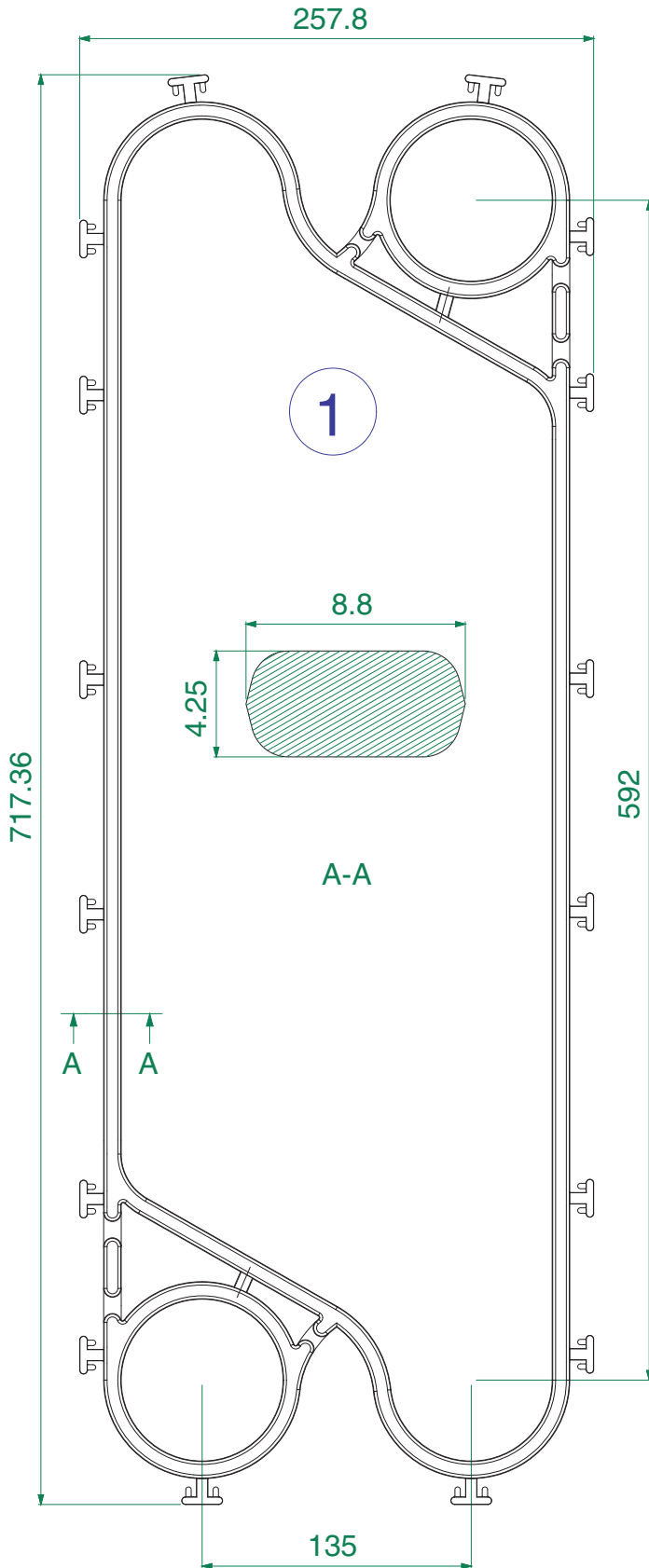
EXCHANGERS

ECHANGEURS

WÄRMEAUSTAUSCHER

INTERCAMBIADORES

Pos	Orobica Code	Model	Brand	Gasket Type	Q.ty
1	900.0526	P2/P22 A	ALFA LAVAL	CLIP-ON CHANNELPLATE GASKET A	-
2	900.0527	P2/P22 B	ALFA LAVAL	CLIP-ON CHANNELPLATE GASKET B	-



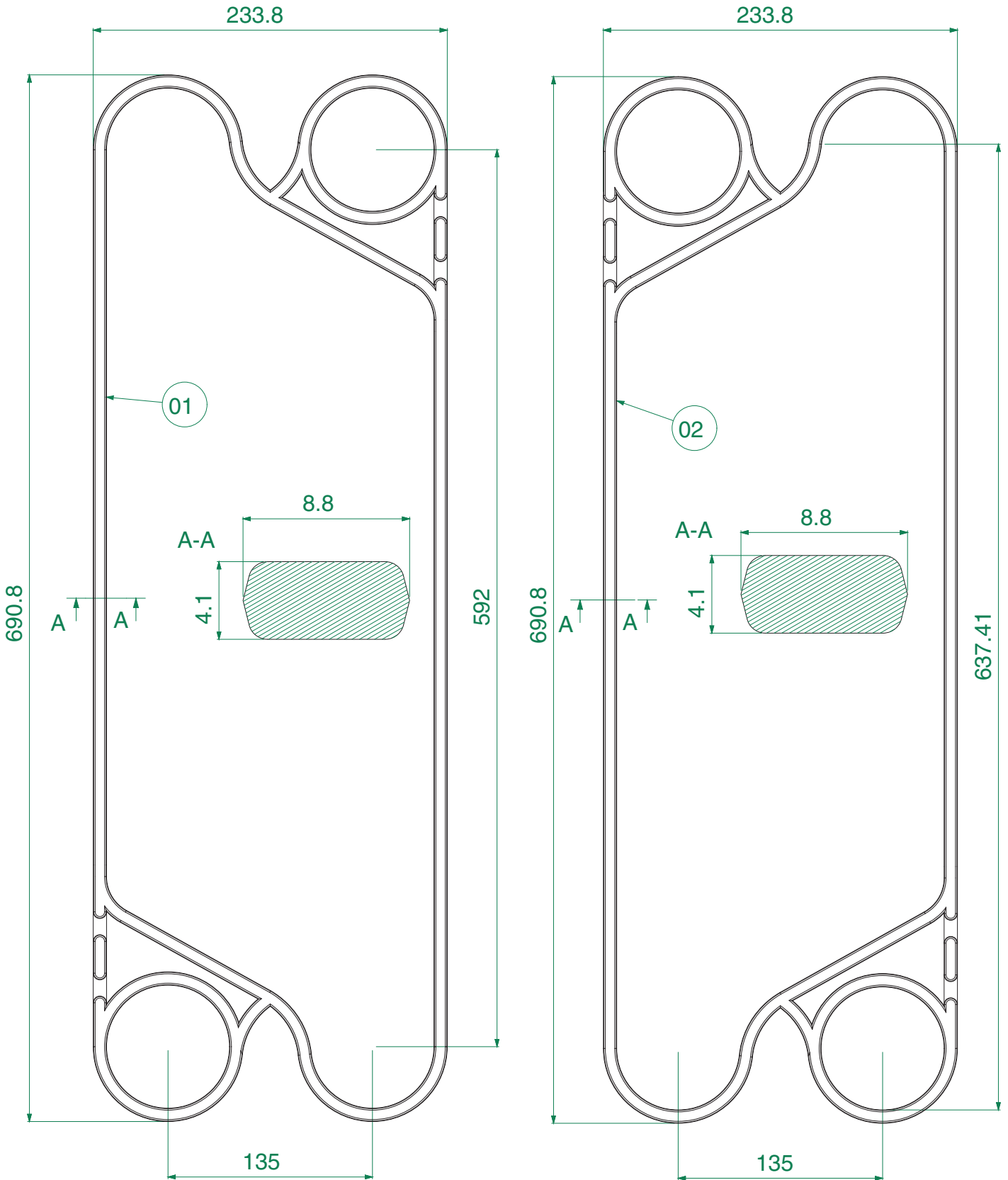
EXCHANGERS

ECHANGEURS

WÄRMEAUSTAUSCHER

INTERCAMBIADORES

Pos	Orobica Code	Model	Brand	Gasket Type	Q.ty
01	900.0265	P22	ALFA LAVAL	FLAT CHANNELPLATE GASKET A	-
02	900.0266	P22	ALFA LAVAL	FLAT CHANNELPLATE GASKET B	-



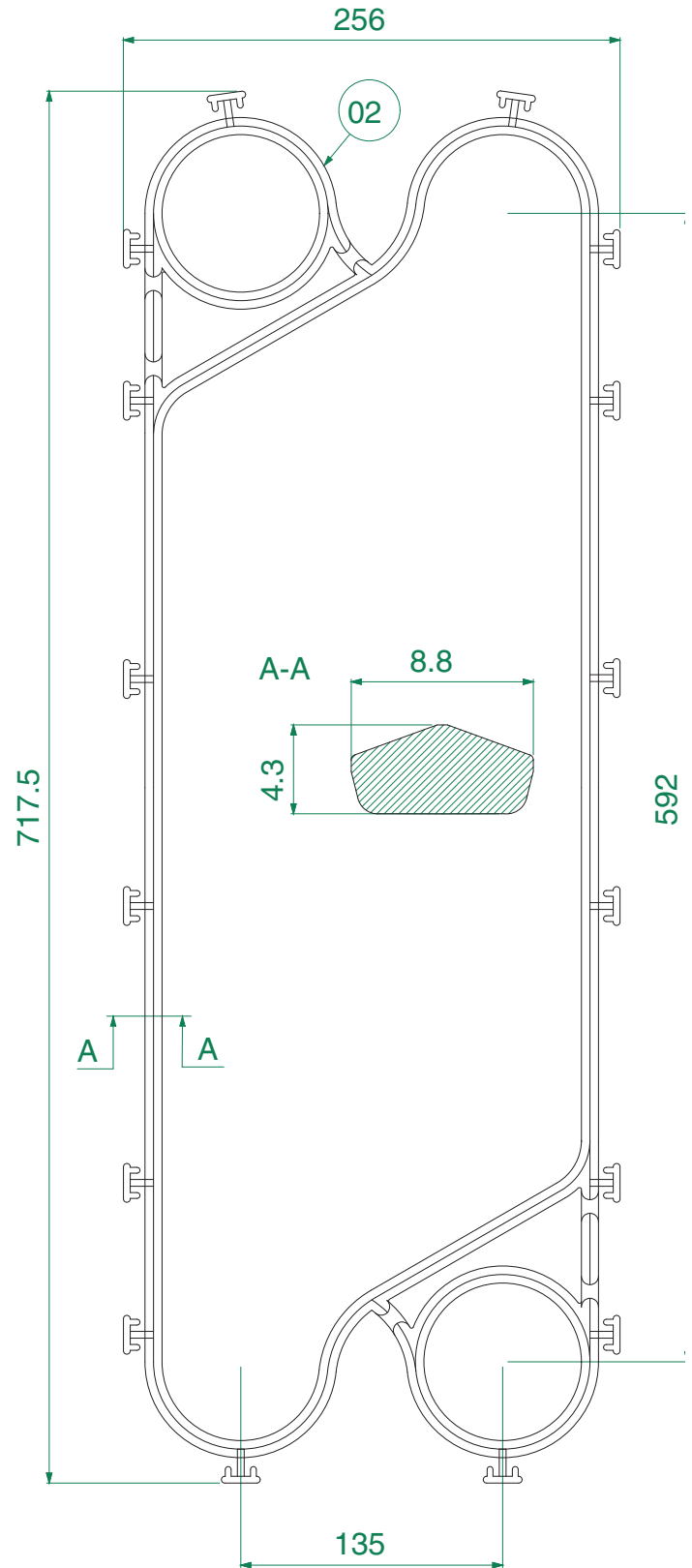
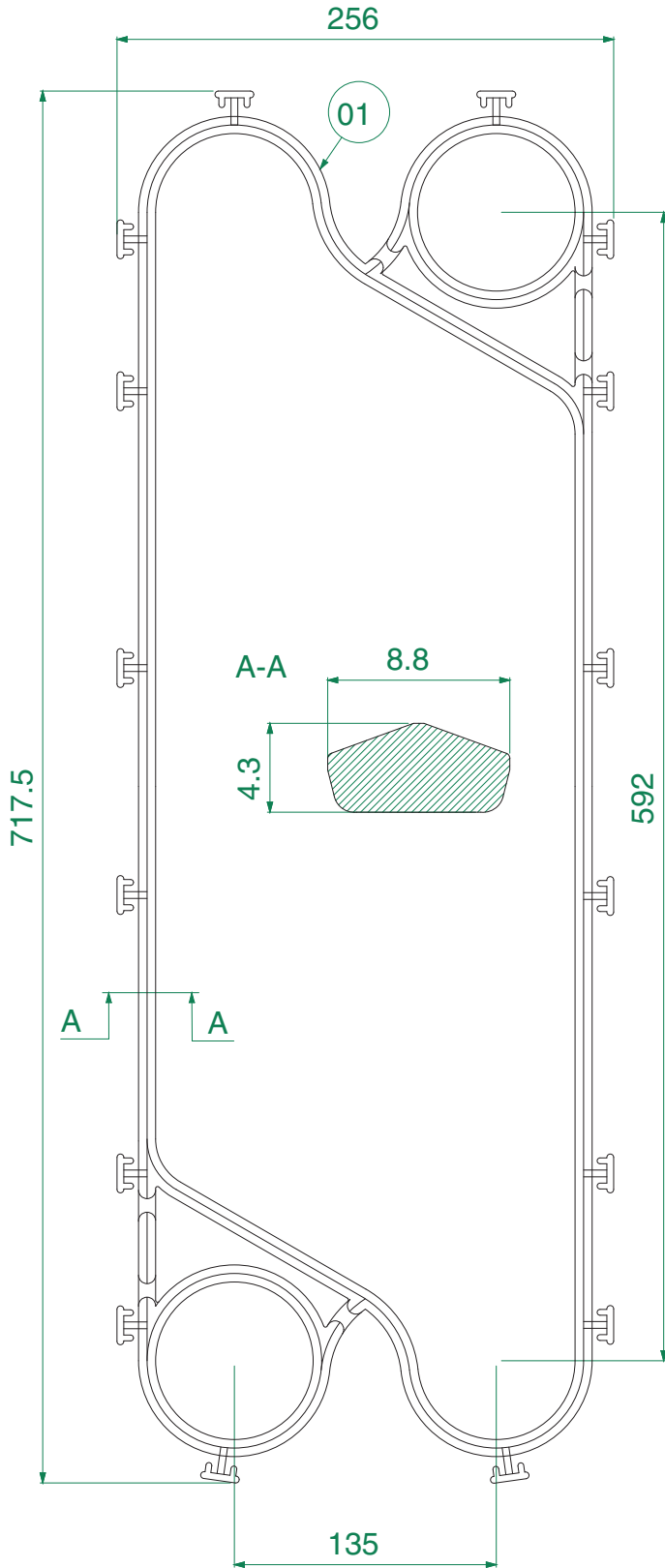
EXCHANGERS

ECHANGEURS

WÄRMEAUSTAUSCHER

INTERCAMBIADORES

Pos	Orobica Code	Model	Brand	Gasket Type	Q.ty
01	900.0141	P22	ALFA LAVAL	CLIP-ON PEAKED CHANNELPLATE GASKET A	-
02	900.0142	P22	ALFA LAVAL	CLIP-ON PEAKED CHANNELPLATE GASKET B	-



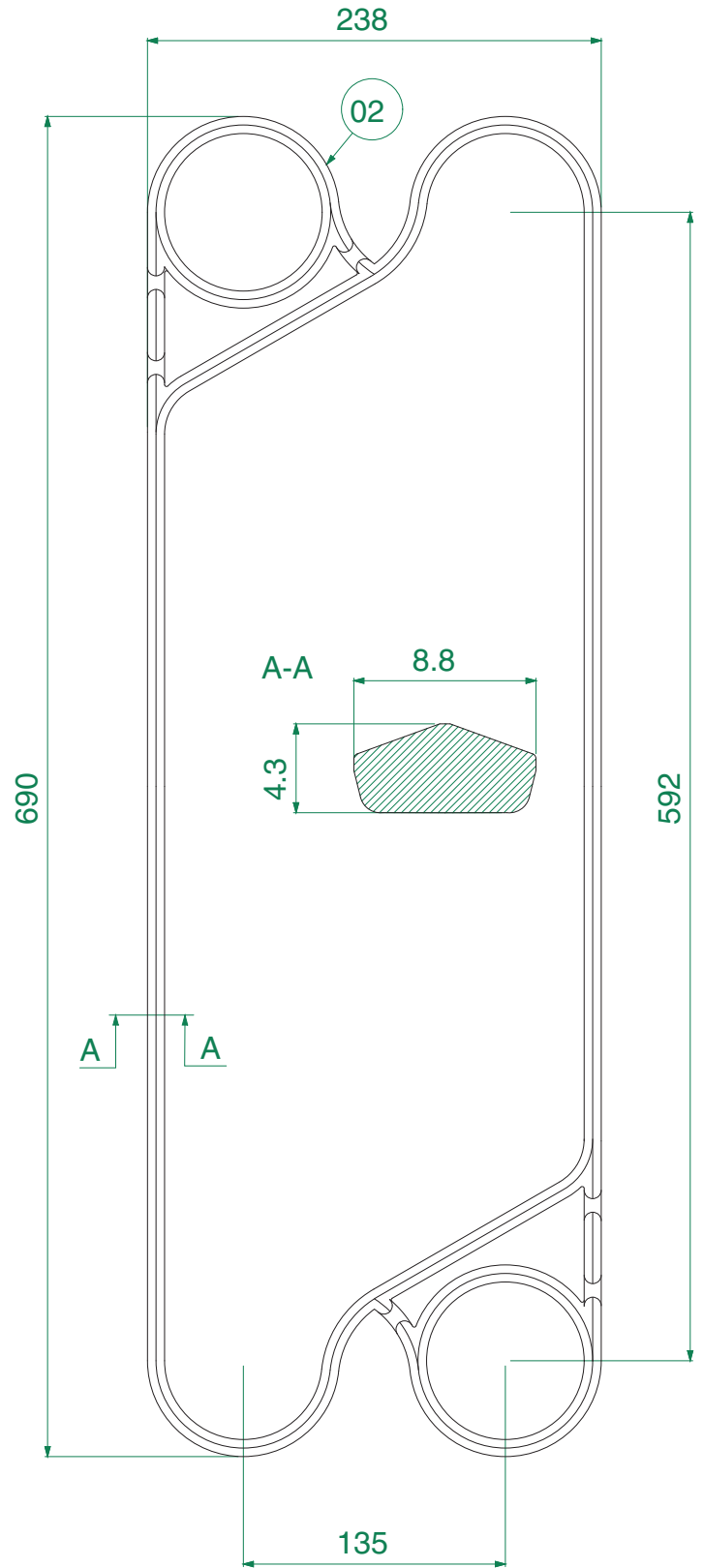
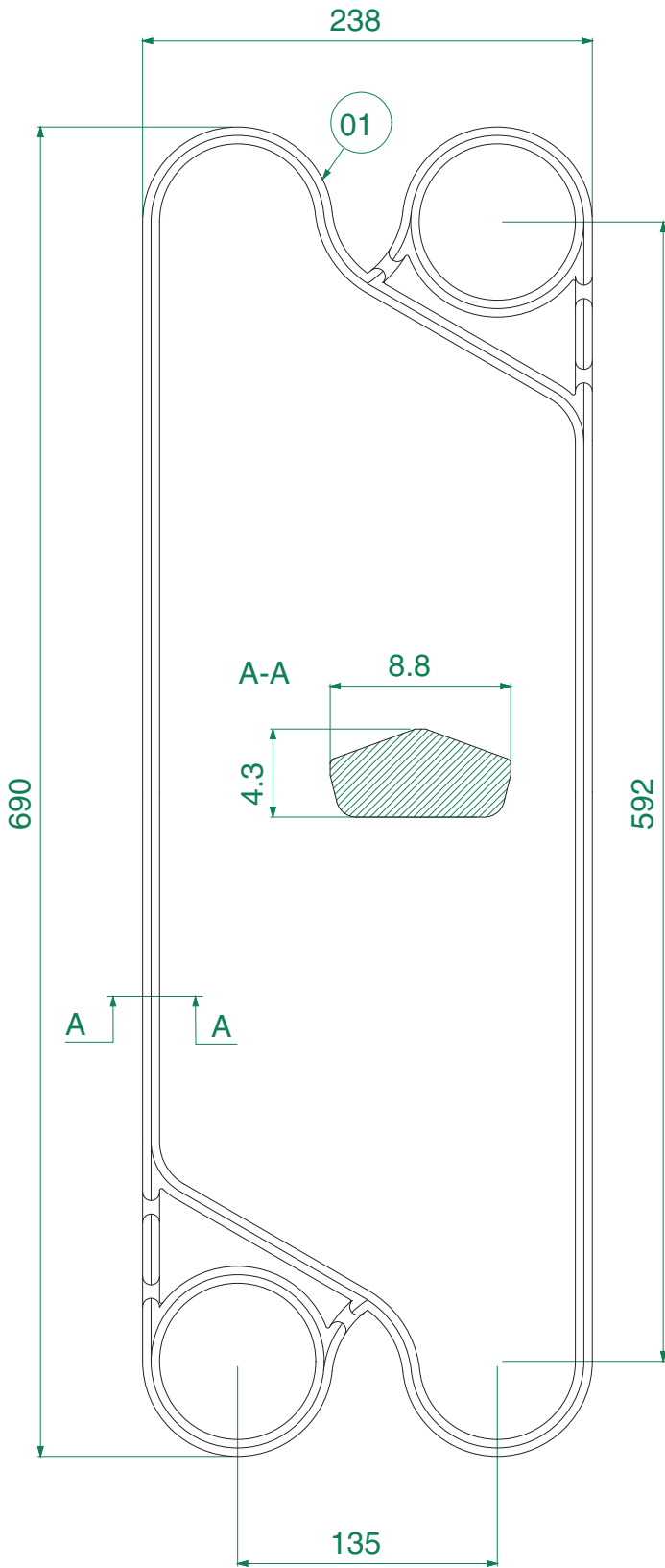
EXCHANGERS

ECHANGEURS

WÄRMEAUSTAUSCHER

INTERCAMBIADORES

Pos	Orobica Code	Model	Brand	Gasket Type	Q.ty
01	900.0401	P22	ALFA LAVAL	GLUED PEAKED CHANNEL GASKET A TYPE	-
02	900.0402	P22	ALFA LAVAL	GLUED PEAKED CHANNEL GASKET B TYPE	-



EXCHANGERS

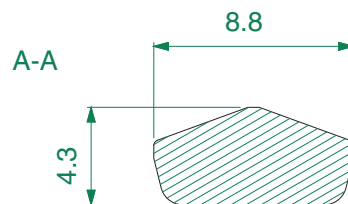
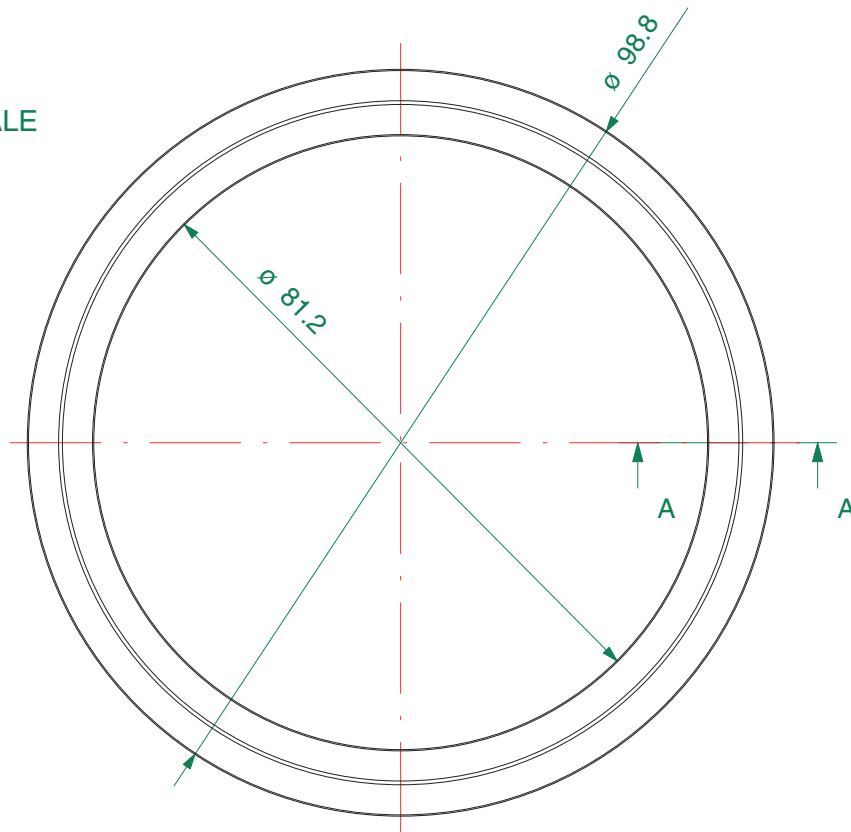
ECHANGEURS

WÄRMEAUSTAUSCHER

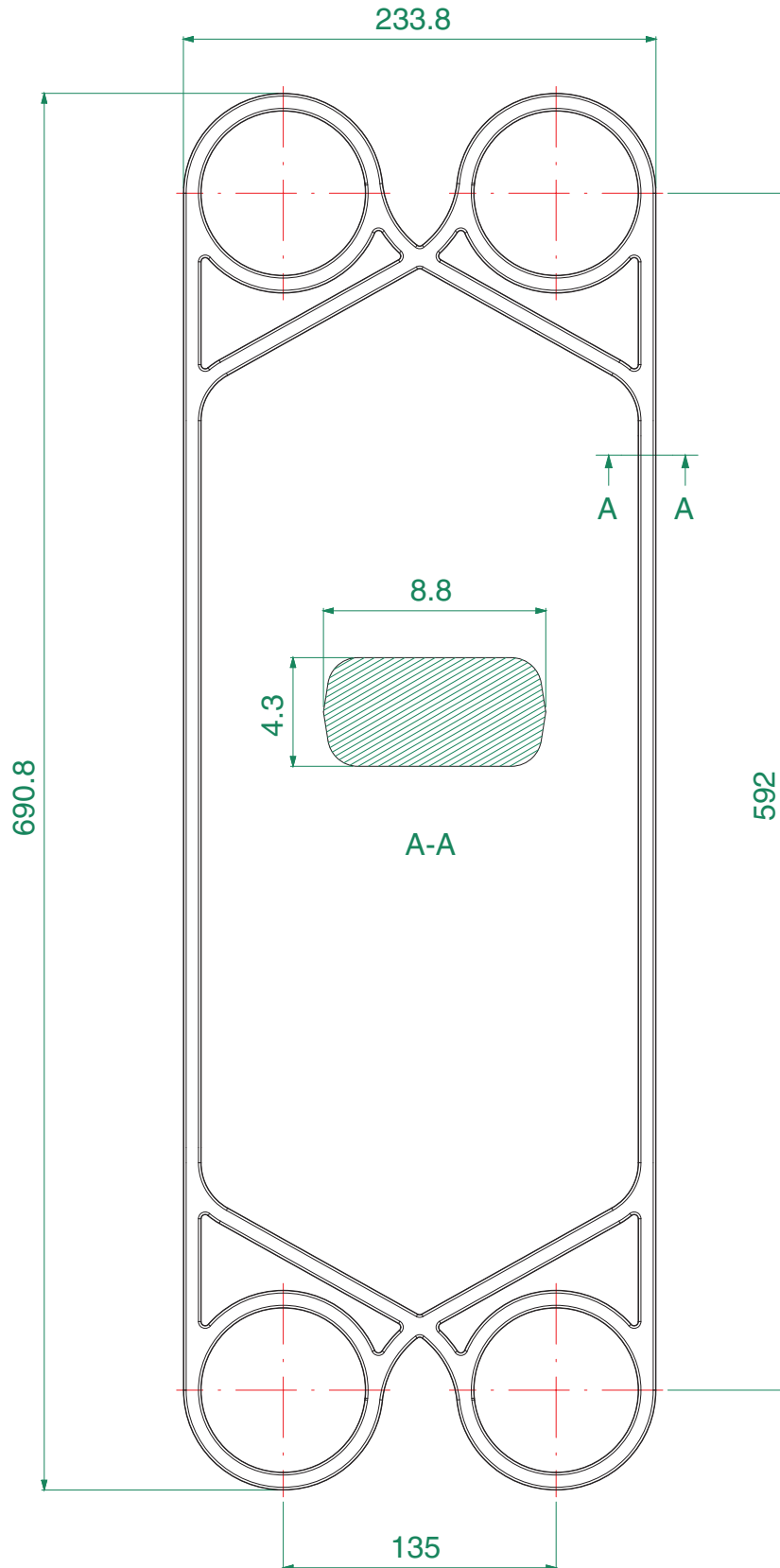
INTERCAMBIADORES

Pos	Orobica Code	Model	Brand	Gasket Type	Q.ty
-	900.0195	P22	ALFA LAVAL	PEAKED RING GASKET	-

1:1 SCALE



Pos	Orobica Code	Model	Brand	Gasket Type	Q.ty
-	900.0617	P26	ALFA LAVAL	GLUED FLOWPLATE GASKET	-



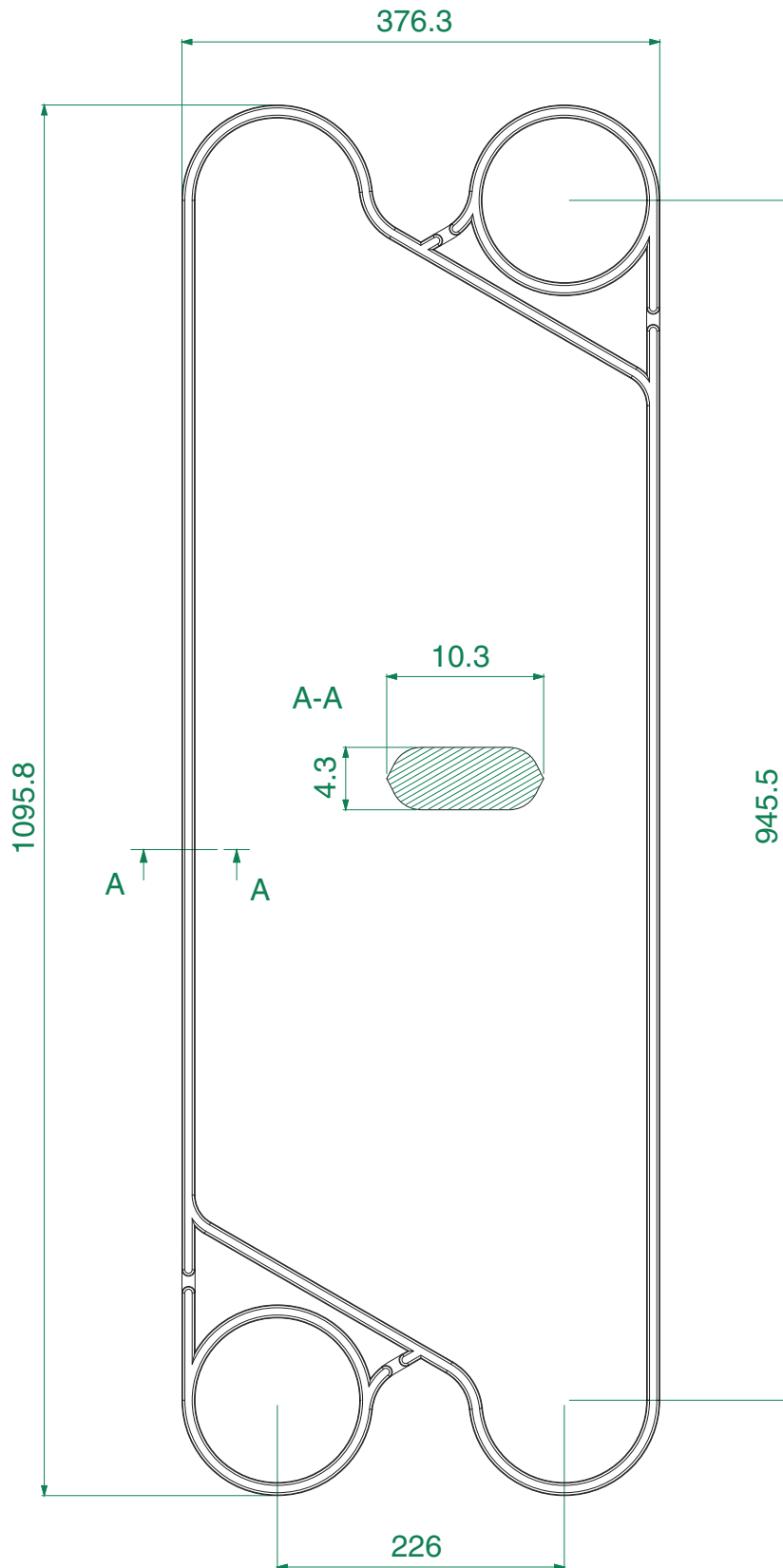
EXCHANGERS

ECHANGEURS

WÄRMEAUSTAUSCHER

INTERCAMBIADORES

Pos	Orobica Code	Model	Brand	Gasket Type	Q.ty
-	900.0445	P31	ALFA LAVAL	GLUED FLAT CHANNEL PLATE	-



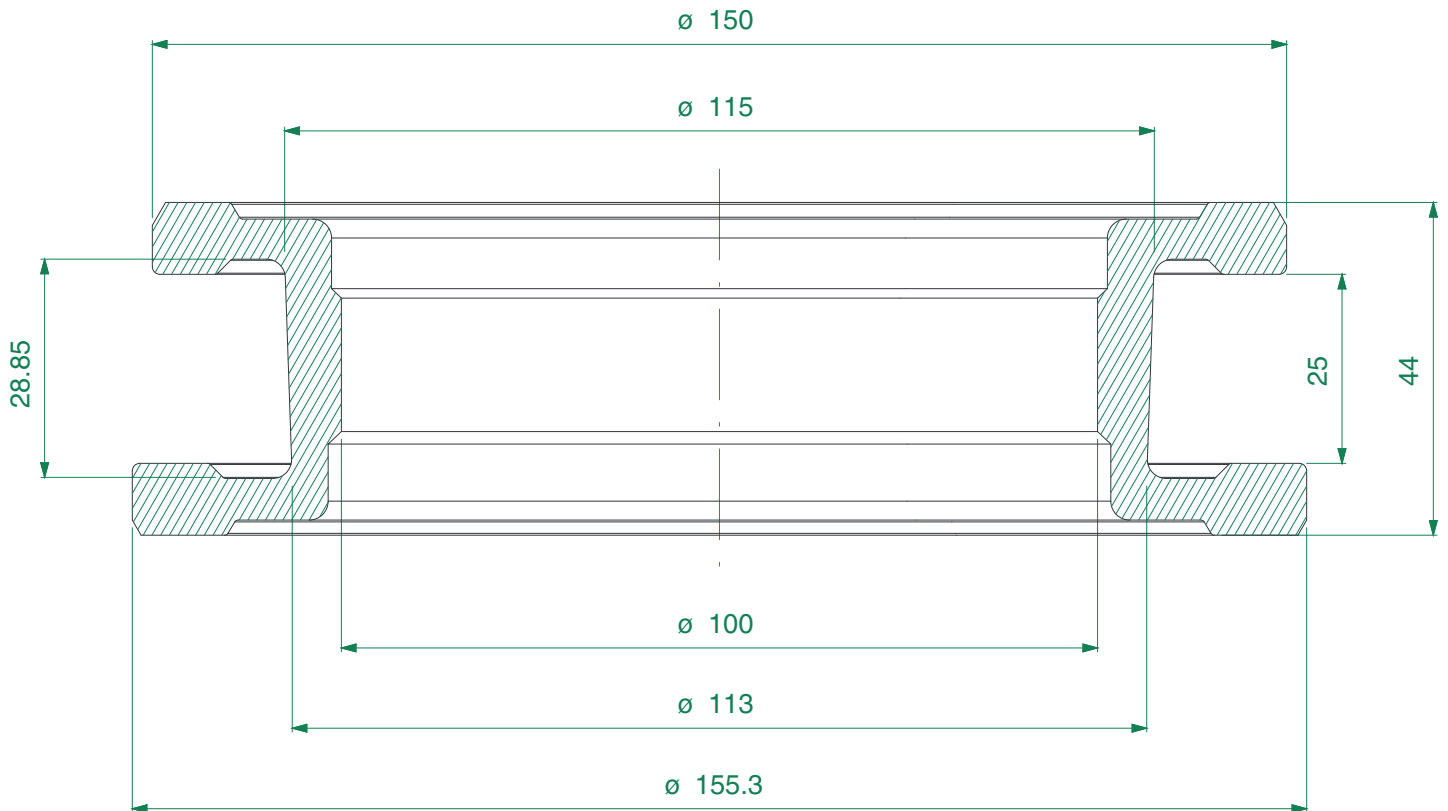
EXCHANGERS

ECHANGEURS

WÄRMEAUSTAUSCHER

INTERCAMBIADORES

Pos	Orobica Code	Model	Brand	Gasket Type	Q.ty
-	900.0598	P31	ALFA LAVAL	LINING H=44mm	-



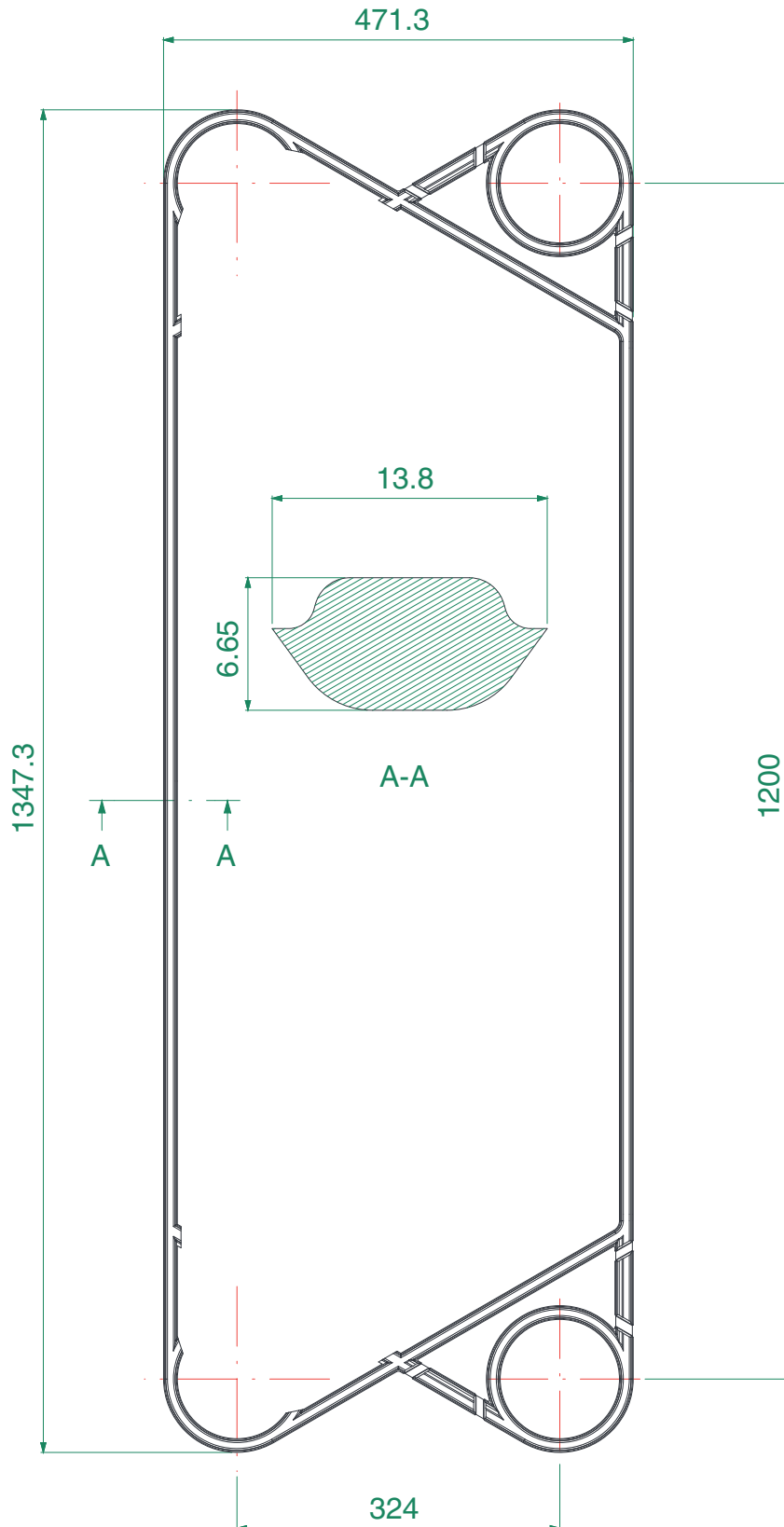
EXCHANGERS

ECHANGEURS

WÄRMEAUSTAUSCHER

INTERCAMBIADORES

Pos	Orobica Code	Model	Brand	Gasket Type	Q.ty
-	900.0579	P45	ALFA LAVAL	CHANNELPLATE GASKET	-



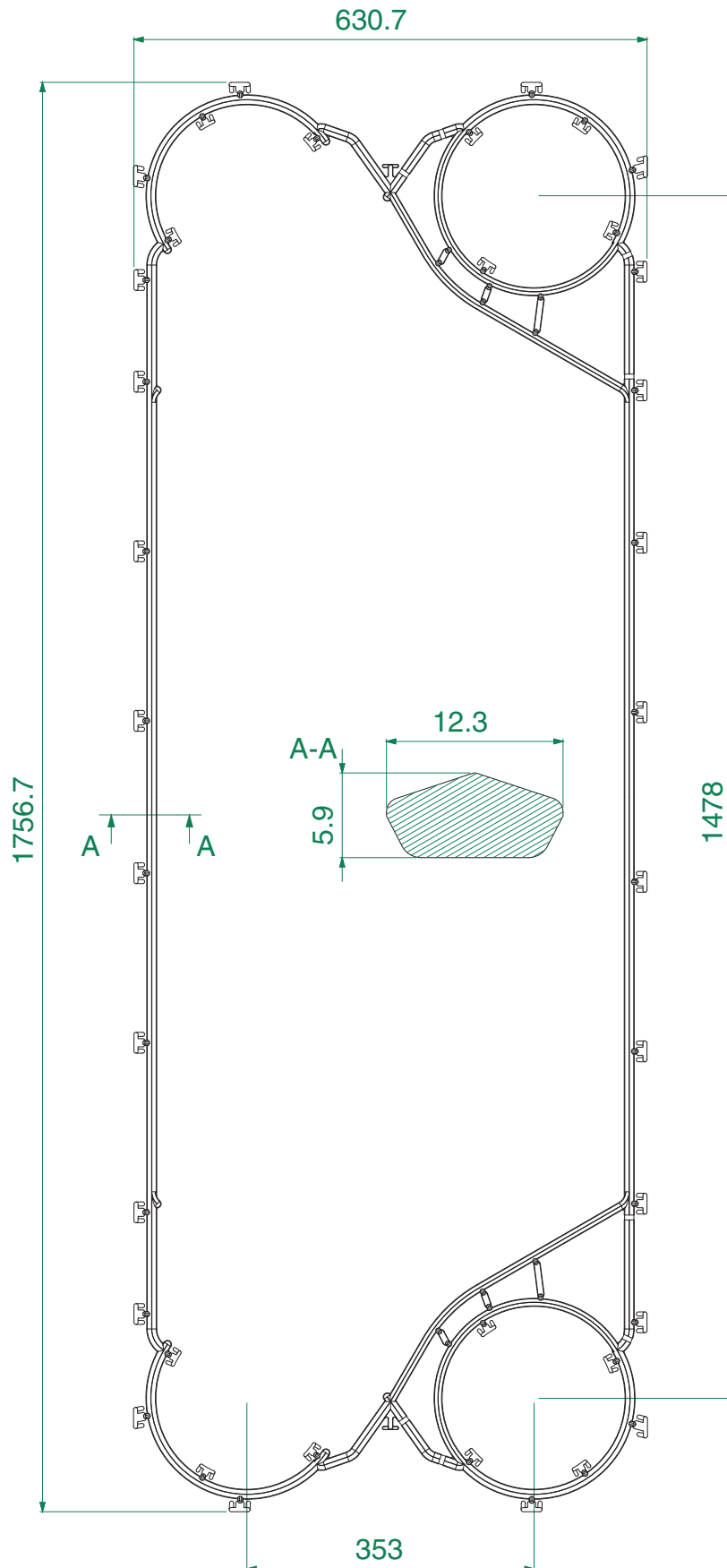
EXCHANGERS

ECHANGEURS

WÄRMEAUSTAUSCHER

INTERCAMBIADORES

Pos	Orobica Code	Model	Brand	Gasket Type	Q.ty
-	900.0177	M20M-T20M	ALFA LAVAL	CLIP-ON CHANNELPLATE GASKET	-



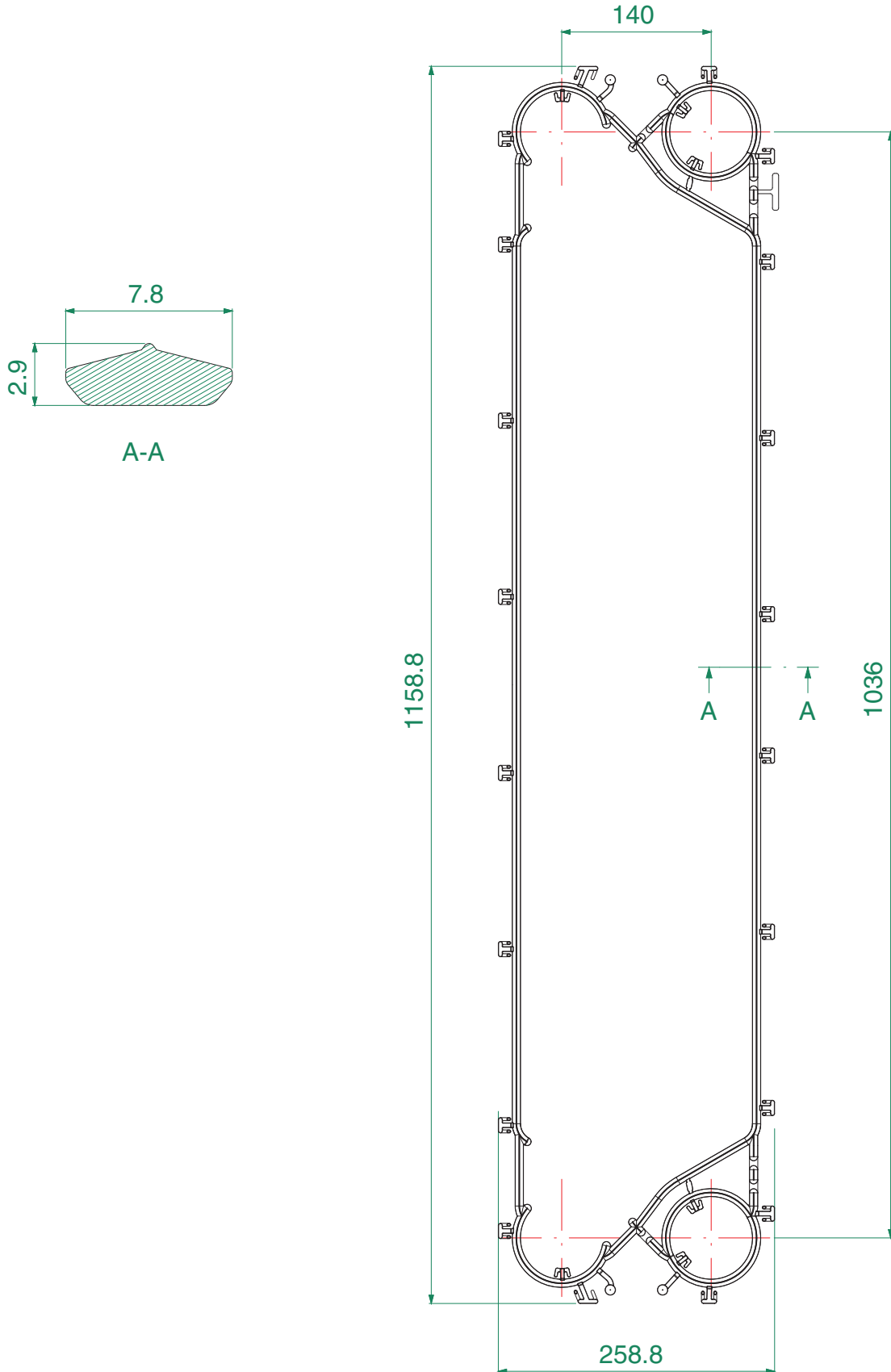
EXCHANGERS

ECHANGEURS

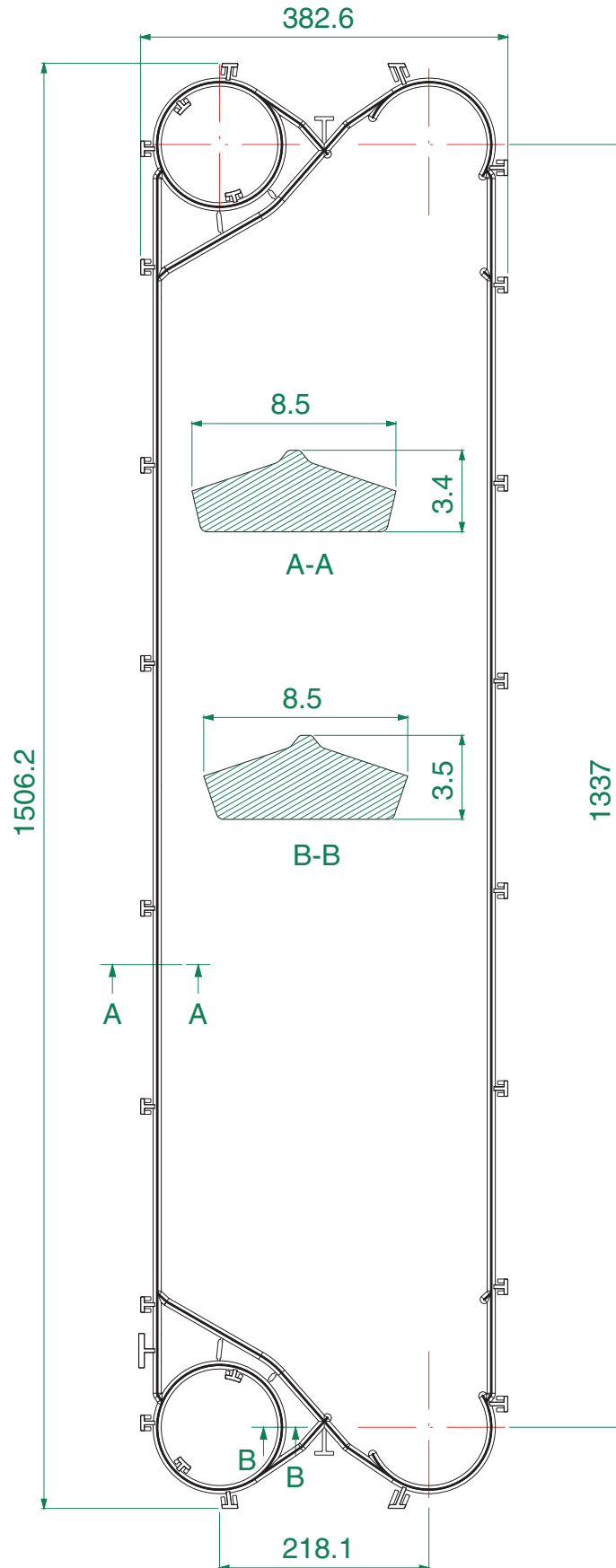
WÄRMEAUSTAUSCHER

INTERCAMBIADORES

Pos	Orobica Code	Model	Brand	Gasket Type	Q.ty
-	900.0608	TL6B	ALFA LAVAL	FLOWPLATE CLIP GASKET	-



Pos	Orobica Code	Model	Brand	Gasket Type	Q.ty
-	900.0540	TL10B	ALFA LAVAL	FLOWPLATE CLIP GASKET	-



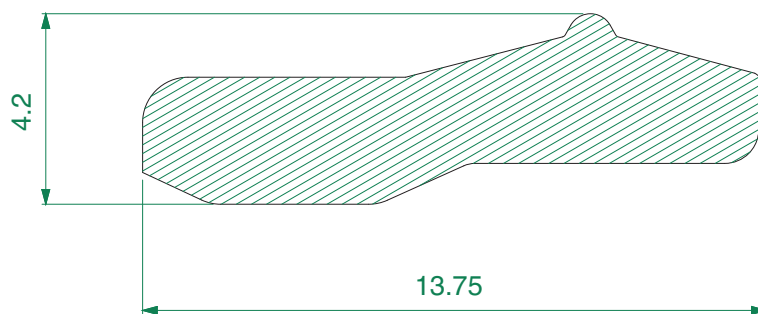
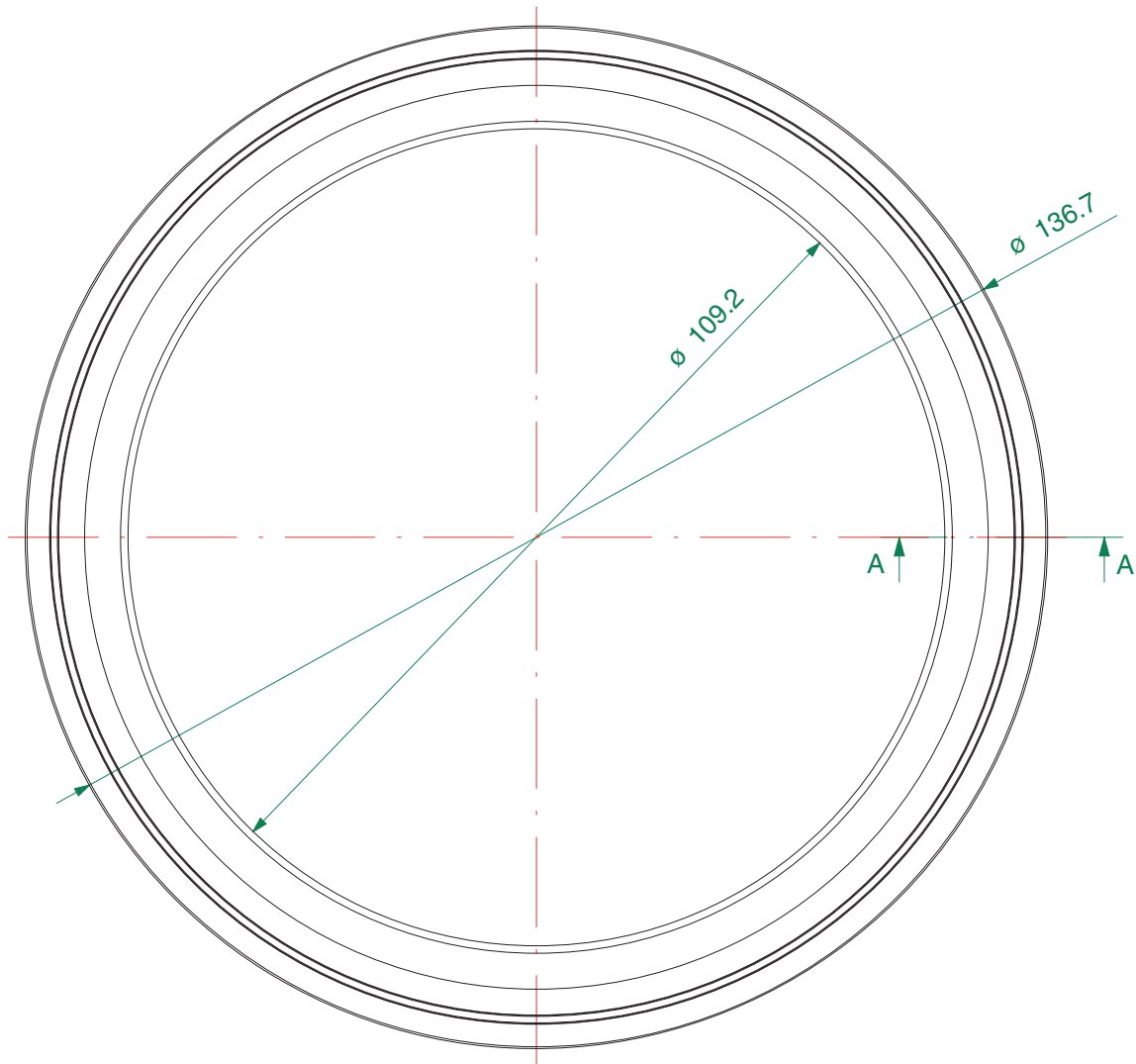
EXCHANGERS

ECHANGEURS

WÄRMEAUSTAUSCHER

INTERCAMBIADORES

Pos	Orobica Code	Model	Brand	Gasket Type	Q.ty
-	900.0541	TL10B	ALFA LAVAL	PORT-RING GASKET H=4.2	-



Sezione A-A

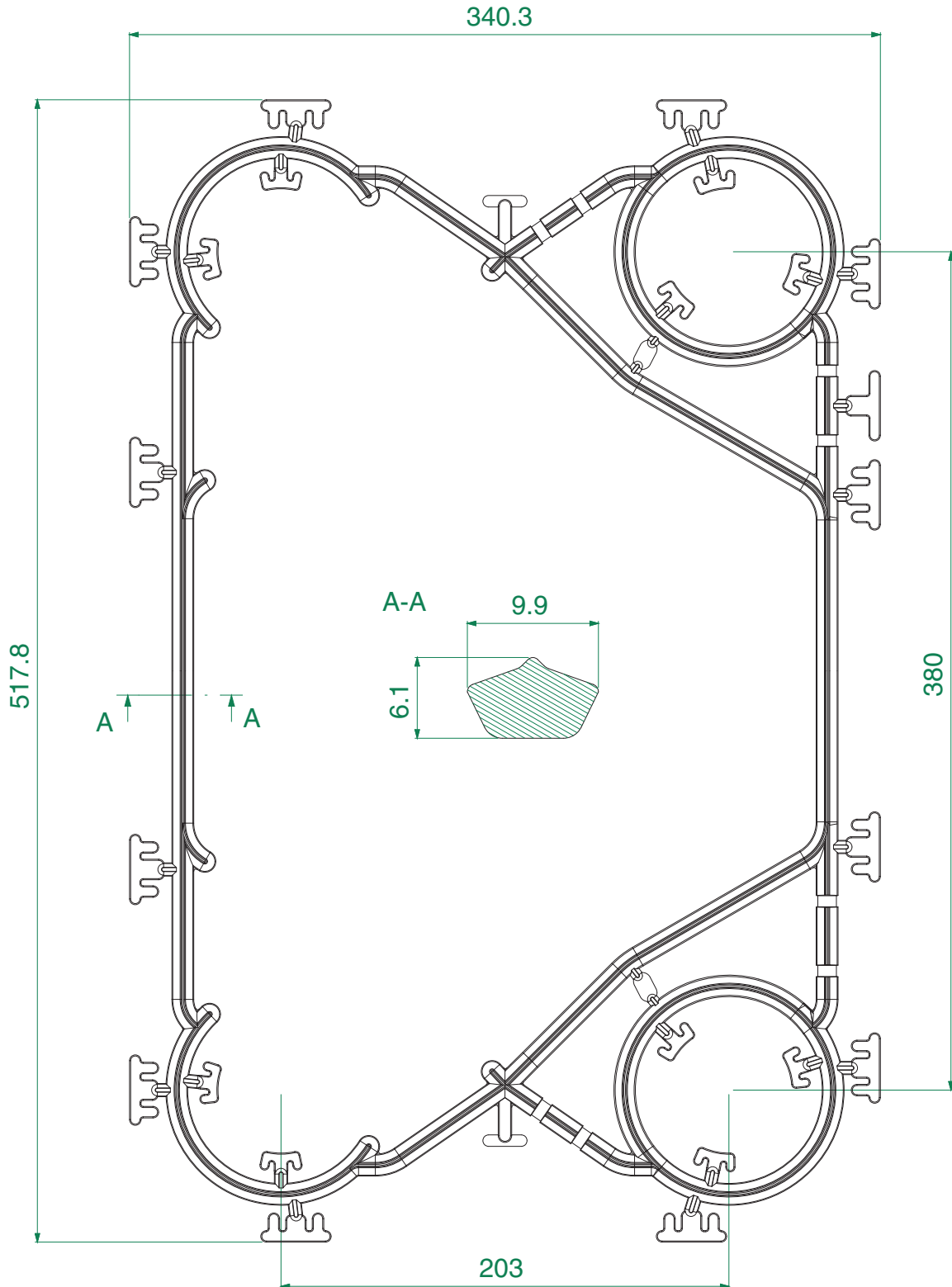
EXCHANGERS

ECHANGEURS

WÄRMEAUSTAUSCHER

INTERCAMBIADORES

Pos	Orobica Code	Model	Brand	Gasket Type	Q.ty
-	900.0447	TS6M	ALFA LAVAL	CLIP ON FLOW GASKET	-



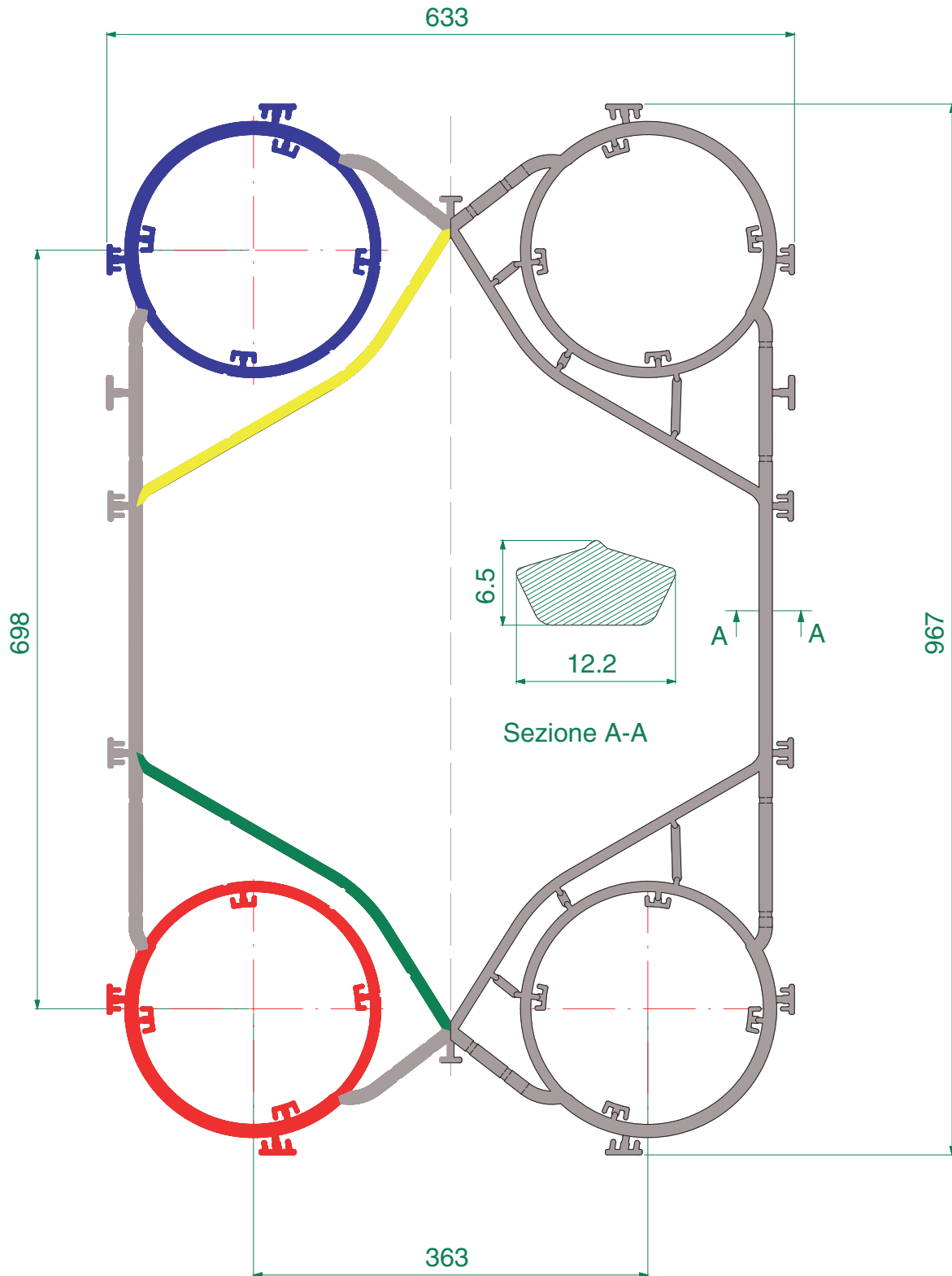
EXCHANGERS

ECHANGEURS

WÄRMEAUSTAUSCHER

INTERCAMBIADORES

Pos	Orobica Code	Model	Brand	Gasket Type	Q.ty
-	900.0514	TS20M	ALFA LAVAL	END-PLATE GASKET	-



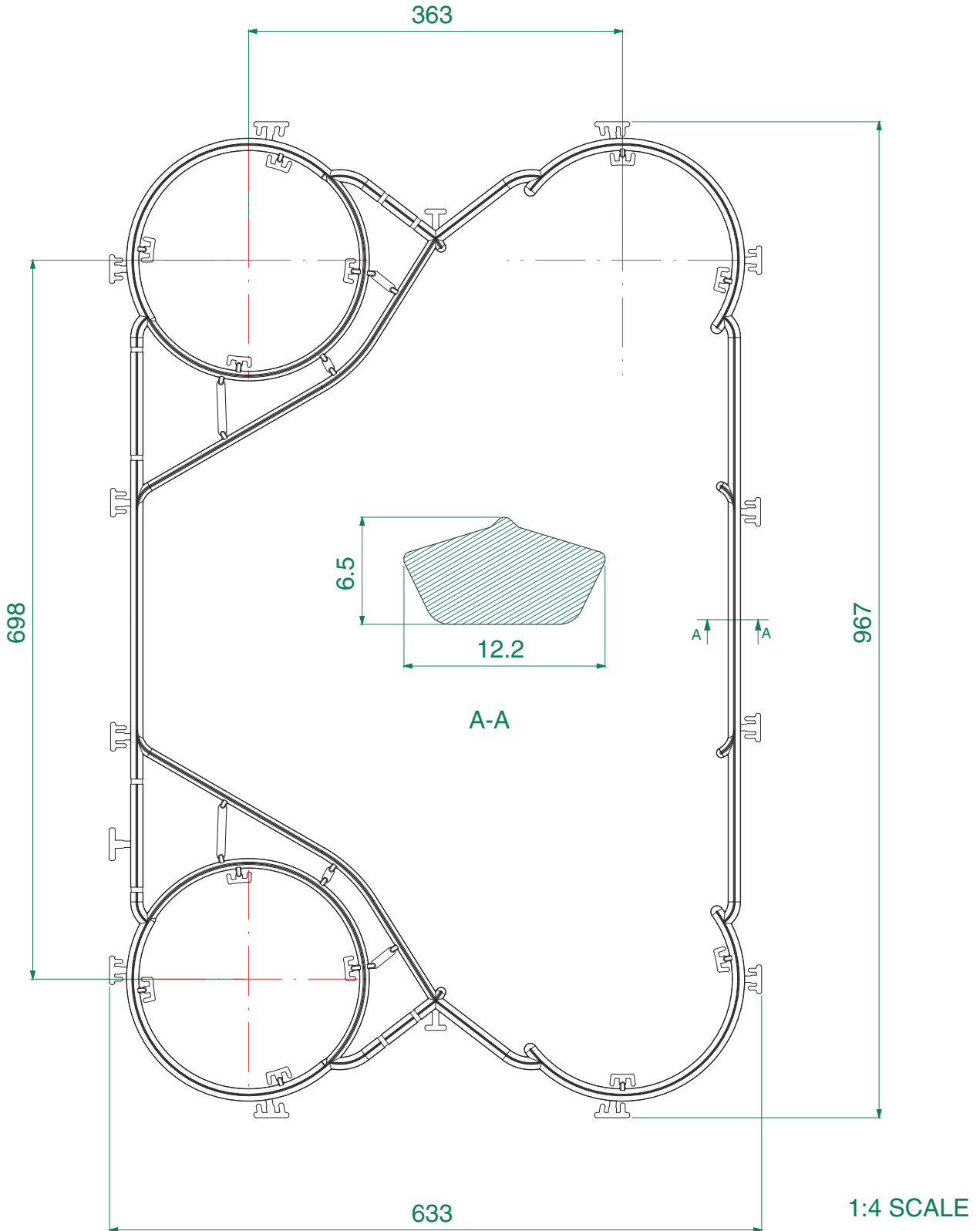
EXCHANGERS

ECHANGEURS

WÄRMEAUSTAUSCHER

INTERCAMBIADORES

Pos	Orobica Code	Model	Brand	Gasket Type	Q.ty
-	900.0413	TS20M	ALFA LAVAL	CLIP-ON CHANNEL PLATE GASKET	-



EXCHANGERS

ECHANGEURS

WÄRMEAUSTAUSCHER

INTERCAMBIADORES

Pos	Orobica Code	Model	Brand	Gasket Type	Q.ty
-	900.0501	TS20M	ALFA LAVAL	PORT-RING GASKET H=7.2	-

