

INDEX		INDEX		INDEX		ÍNDICE	
COD	PAG.	COD	PAG.	COD	PAG.		
A055 End Set - Cod.900.0557	178	N35 Flow Duosafety 900.0562	218	SR3 Flow Paraclip - Cod.900.0032	258		
A055 Flow Paraclip - Cod.900.0523	179	N35 Flow Glued - Cod.900.0228	219	SR3 Port Ring H=4,0 - Cod.900.0037	259		
A085 End Set - Cod.900.0557 1	180	N35 Flow Paraclip - Cod.900.0034	220	SR3 Port Ring H=6,0 - Cod.900.0492	260		
A085 Flow Paraclip - Cod.900.0574	181	N35 Port Ring H=6,5 - Cod.900.0059	221	SR6 Support Set - Cod.900.0378	261		
A145 Flow Paraclip - Cod.900.0605	182	N35 Port Ring H=7,5 - Cod.900.0057	222	SR6 Triangle Set - Cod.900.0379	262		
H17 End Glued - Cod.900.0271	183	N35 Port Ring H=9,0 - Cod.900.0058	223	SR6AA End Set - Cod.900.0483	263		
H17 End Paraclip - Cod.900.0411	184	N50 Flow glued - Cod.900.0458	224	SR6AA Flow Paraclip - Cod.900.0482	264		
H17 Flow DuoSafety - Cod.900.0236	185	P105 Flow - Cod.900.0631	225	SR6AA-SR6AG-SR6GL			
H17 Flow Glued - Cod.900.0173	186	Q030 Duraflow Flow Paraclip - Cod.900.0603	226	Frame Port Ring H=7,2 - Cod.900.0159	265		
H17 Flowplate paraclip gasket - Cod.900.0033	187	Q030 End set paraclip Duraflow - Cod.900.0563	227	SR6AG End Set - Cod.900.0433	266		
H17 Hight Frame Port Ring H=7,5 - Cod.900.0082	188	Q030 End set paraclip Energysaver - Cod. 900.0565	228	SR6AG Flow Glued - Cod.900.0407	267		
H17 Low Frame Port Ring H=3,8 - Cod.900.0083	189	Q030 Energysaver Flow Paraclip - Cod.900.0602	229	SR6AG Flow Paraclip - Cod.900.0093	268		
HMB End - Cod.900.0040	190	Q055 Duraflow Flow Paraclip - Cod.900.0536	230	SR6AG-SR6AA-SR6GL			
HMB Flow RH-LH - Cod.900.0038	191	Q055 End Paraclip Duraflow - Cod.900.0537	231	Frame Port Ring H=7,2 - Cod.900.0159	269		
HMB Frame Port Ring H=5,4 - Cod.900.0151	192	Q055 End Set Paraclip Energysaver - Cod.900.0484	232	SR6GL End Set - Cod.900.0096	270		
HX End - Cod.900.0405	193	Q055 Energysaver Flow Paraclip - Cod.900.0334	233	SR6GL Flow Glued - Cod.900.0092 2	271		
HX Flow RH-LH - Cod.900.0027	194	Q080 Duraflow Flow Paraclip - Cod.900.0582	234	SR6GL Flow Paraclip - Cod.900.0092	272		
HX Port Ring H=4,9 - Cod.900.0143	195	Q080 End set paraclip Duraflow - Cod.900.0564	235	SR6GL-SR6AA-SR6AG			
J060-092-107 End Set - Cod.900.0573	196	Q080 End set paraclip Energysaver - Cod. 900.0566	236	Frame Port Ring H=7,2 - Cod.900.0159	273		
J092 Flow Paraclip - Cod.900.0340	197	Q080 Energysaver Flow Paraclip - Cod.900.0580	237	SR9 End Set - Cod.900.0287	274		
J107 Flow Paraclip -Cod.900.0525	198	R5 End RH-LH - Cod.900.0139	238	SR9 Flow Glued - Cod.900.0408	275		
J185 End Set - Cod.900.0634	199	R5 Flow Glued RH-LH - Cod.900.00161	239	SR9 Flow Paraclip - Cod.900.0286	276		
JUNIOR EVAP.Flow - Cod.900.0150	200	R5 Flow Paraclip RH-LH - Cod.900.0016	240	SR9 Frame Port Ring H=6,9 - Cod.900.0545	277		
K-Q Hight Frame Port Ring H=9,5 - Cod.900.0238	201	R5 Frame Port Ring H=6,7 - Cod.900.0036	241	SR10-SR1 Flow Glued - Cod.900.00421	278		
K-Q Low Frame Port Ring H=5,3 - Cod.900.0239	202	R8 Frame Port Ring H=4,9 - Cod.900.0284	242	SR10-SR1 Flow Paraclip - Cod.900.0042	279		
K55 Flow Glued - Cod.900.0167	203	R8GI End - Cod.900.0283	243	SR10-SR1 Port Ring H=4,0 - Cod.900.0043	280		
K55 Flow Paraclip - Cod.900.0237	204	R8GI Flow - Cod.900.0282	244	SR14 Port Ring H=4,2 - Cod.900.0487	281		
K71 Flow DuoSafety Paraclip - Cod.900.0467	205	SR1 End - Cod.900.0162	245	SR14AD Flow Paraclip Hight Press - Cod.900.0587	282		
LR9GN Flow Single Piece - Cod.900.0481	206	SR1-SR10 Flow Glued - Cod.900.00421	246	SR14AH Flow Glued Hight Press			
LR9GN Multipiece Complete - Cod.900.0497	207	SR1-SR10 Flow Paraclip - Cod.900.0042	247	Cod.900.0486	283		
LR9GN Multipiece Field - Cod.900.0497	208	SR1-SR10 Port Ring H=4,0 - Cod.900.0043	248	SR14AH Flow Paraclip Hight Press			
LR9GN Multipiece Port Ring B - Cod.900.0498	209	SR2 End Glued - Cod.900.0146	249	Cod.900.0315	284		
LR9GN Multipiece Port Ring C - Cod.900.0499	210	SR2 End Paraclip - Cod.900.0106	250	SR23PV Flow Glued - Cod.900.0459	285		
M92 Flow - Cod.900.0427	211	SR2 Flow Glued - Cod.900.0107	251	T4 Flow - Cod.900.0416	286		
MKIII 'A-C' Flow - Cod.900.0267	212	SR2 Flow Paraclip - Cod.900.0144	252	T4 Port Ring H=6,0 - Cod.900.0417	287		
MKIII 'B' Flow - Cod.900.0268	213	SR2 Port Ring H=4,2 - Cod.900.0145	253	TR9 Port Ring H=7,0 - Cod.900.0456	288		
MKIII 'D' Flow - Cod.900.0269	214	SR2 Port Ring H=8,85 - Cod.900.0366	254	TR9AL Flow Paraclip - Cod.900.0336	289		
MKIII 'H' Flow - Cod.900.0452	215	SR3 End Set - Cod.900.0138	255	TR9AV Flow Paraclip - Cod.900.0331	290		
N35 End Glued - Cod.900.0148	216	SR3 End Triangle - Cod.900.0035	256				
N35 End Paraclip - Cod.900.0534	217	SR3 Flow Glued - Cod.900.00321	257				

# SCAMBIATORI

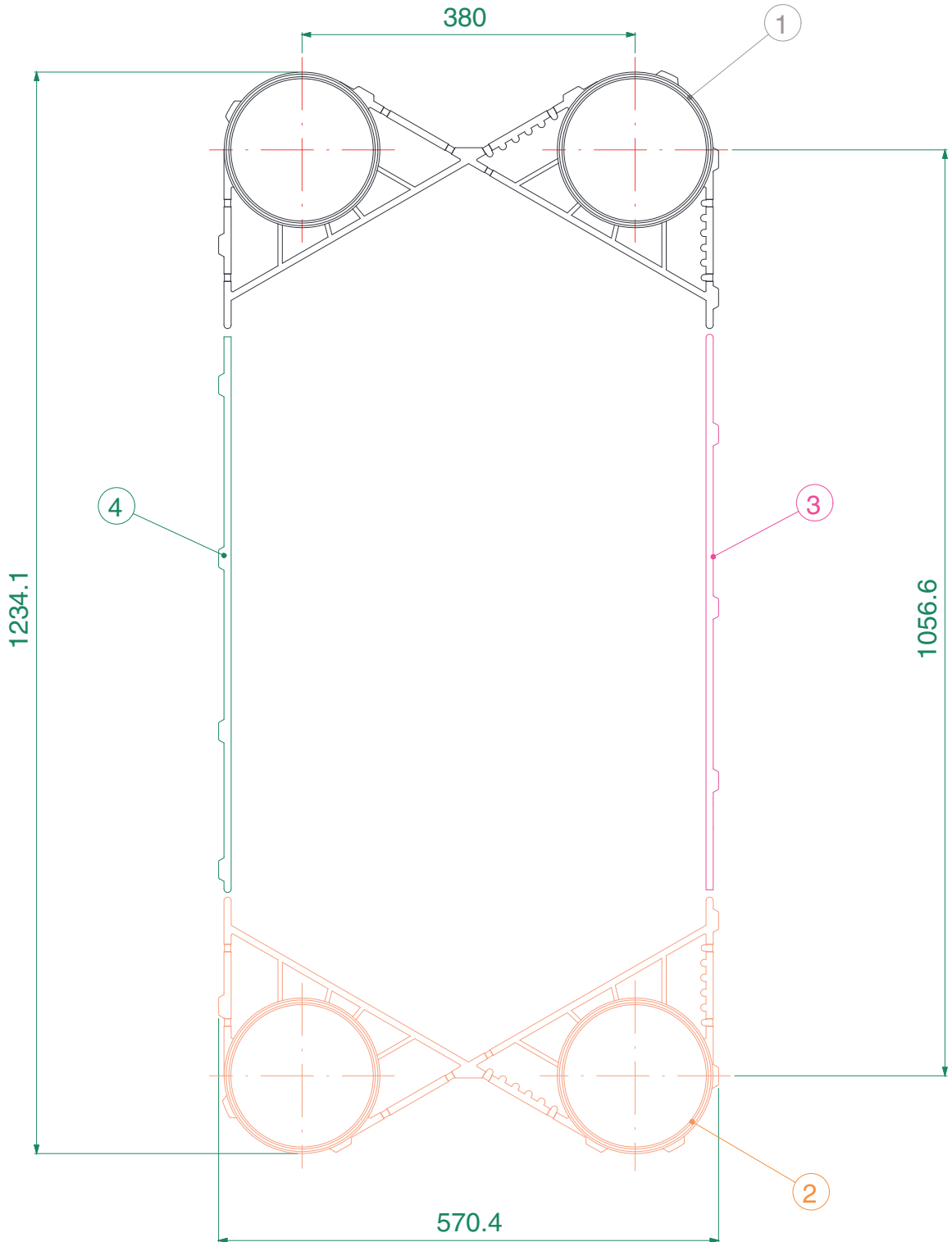
EXCHANGERS

ECHANGEURS

WÄRMEAUSTAUSCHER

INTERCAMBIADORES

Pos	Orobica Code	Model	Brand	Gasket Type	Q.ty
1/4	900.0557	A055	APV	END SET FOR "A055"	1
1	900.0558	A055	APV	HEAD "A" TYPE 1	1
2	900.0559	A055	APV	HEAD "A" TYPE 2	1
3	900.0560	A055	APV	CONNECTION "A" TYPE 1	1
4	900.0561	A055	APV	CONNECTION "A" TYPE 2	1



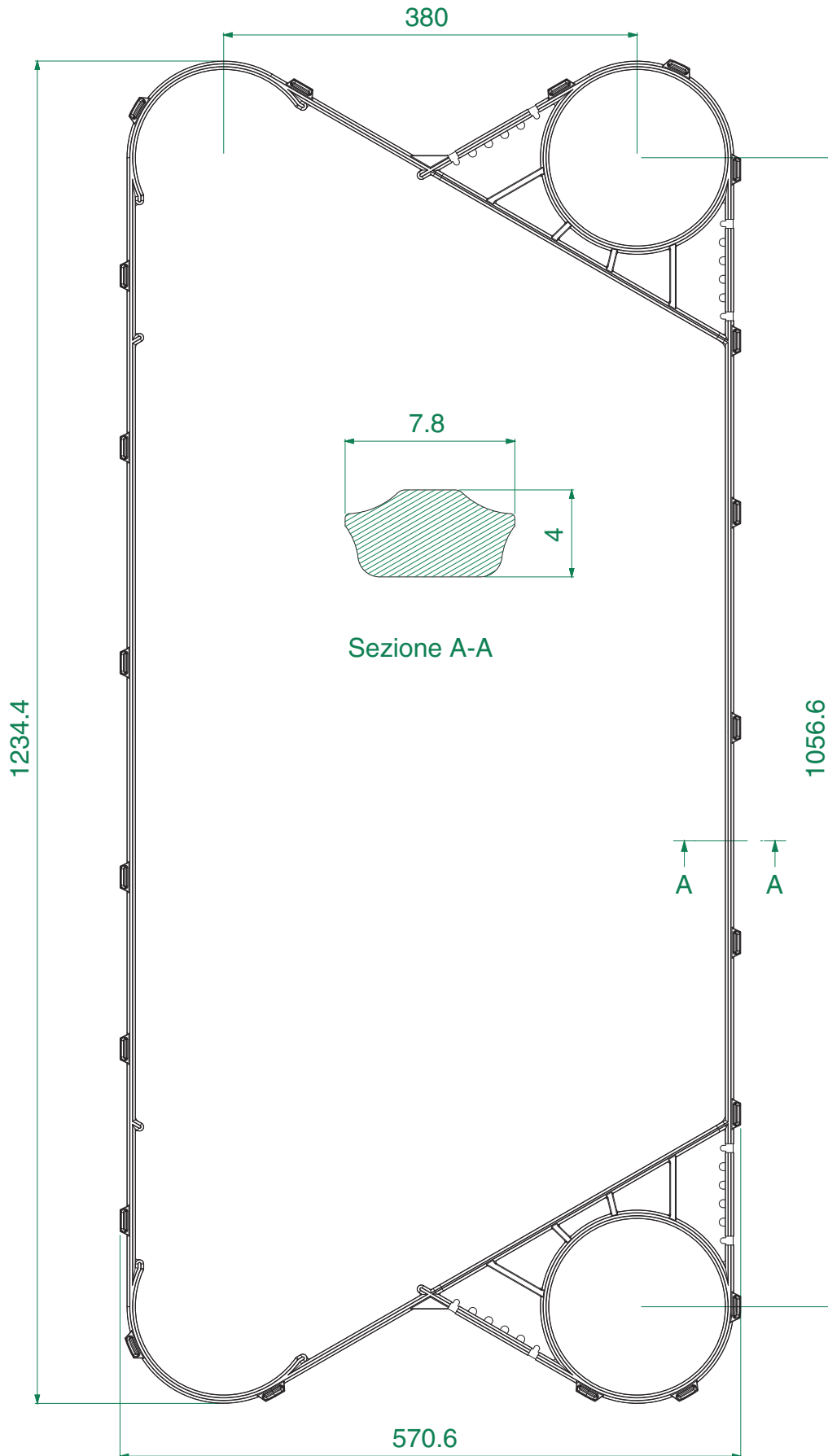
EXCHANGERS

ECHANGEURS

WÄRMEAUSTAUSCHER

INTERCAMBIADORES

Pos	Orobica Code	Model	Brand	Gasket Type	Q.ty
-	900.0523	A055	APV	PARACLIP FLOWPLATE GASKET	-



# SCAMBIATORI

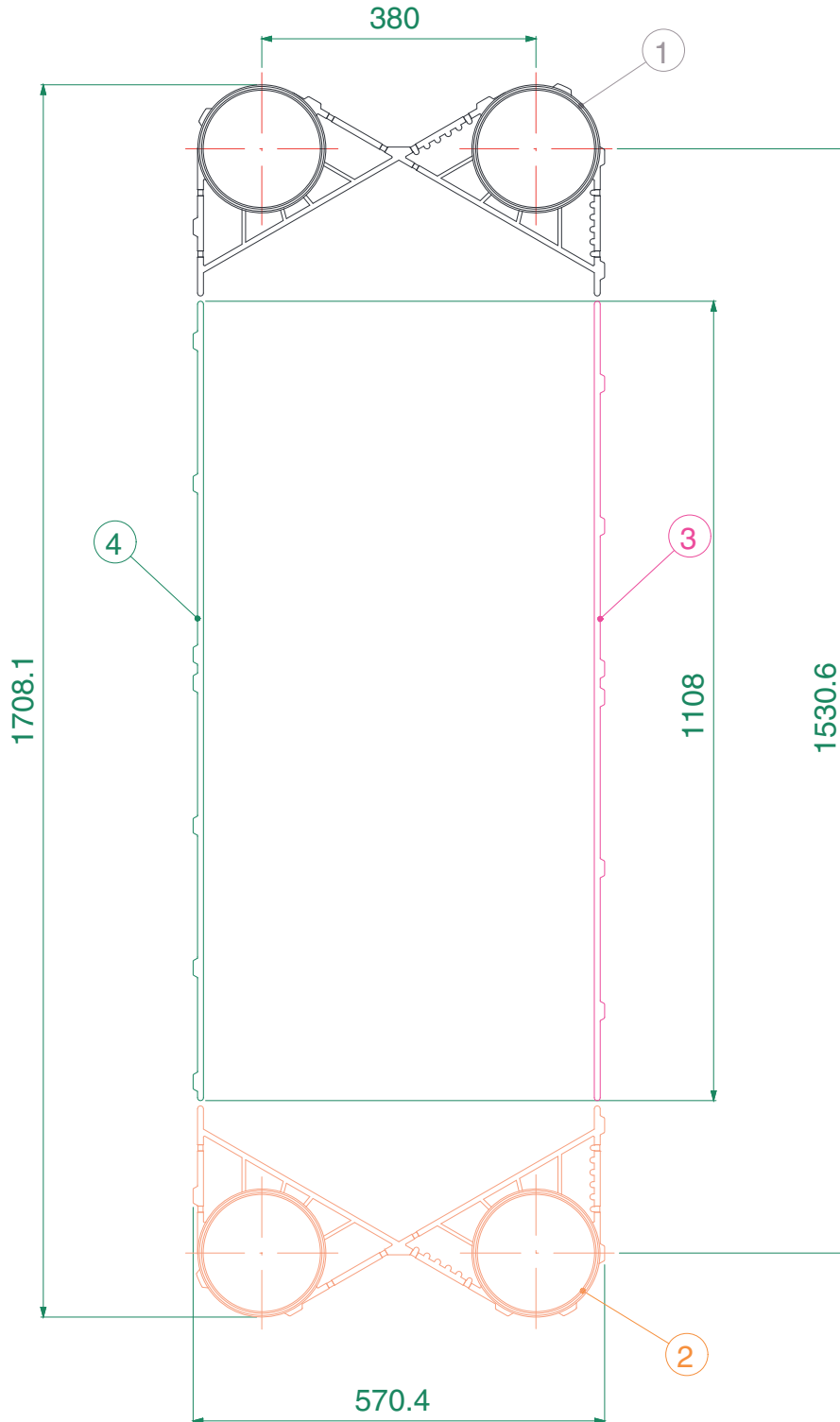
EXCHANGERS

ECHANGEURS

WÄRMEAUSTAUSCHER

INTERCAMBIADORES

Pos	Orobica Code	Model	Brand	Gasket Type	Q.ty
1/4	900.0557 1	A085	APV	END SET FOR "A085"	1
1	900.0558	A085	APV	HEAD "A" TYPE 1	1
2	900.0559	A085	APV	HEAD "A" TYPE 2	1
3	900.0560 1	A085	APV	CONNECTION "A"TYPE 1	1
4	900.0561 1	A085	APV	CONNECTION "A"TYPE 2	1



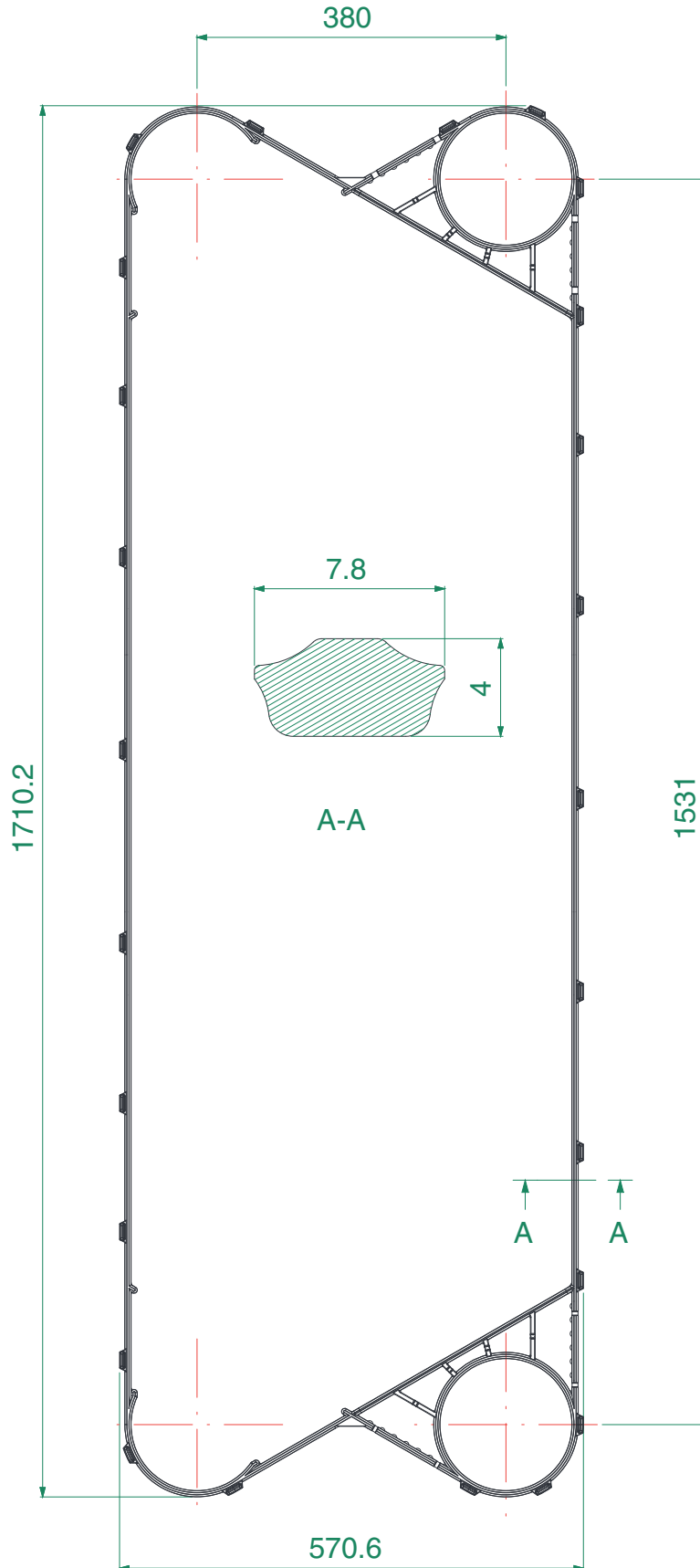
EXCHANGERS

ECHANGEURS

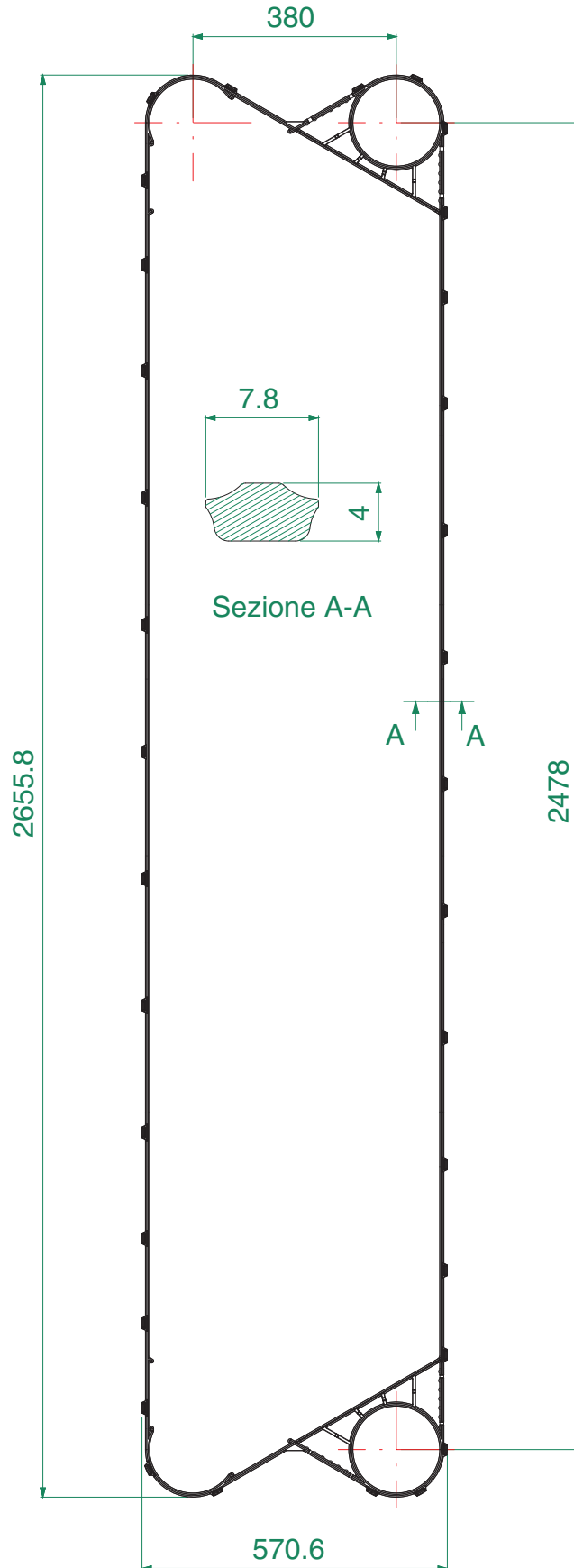
WÄRMEAUSTAUSCHER

INTERCAMBIADORES

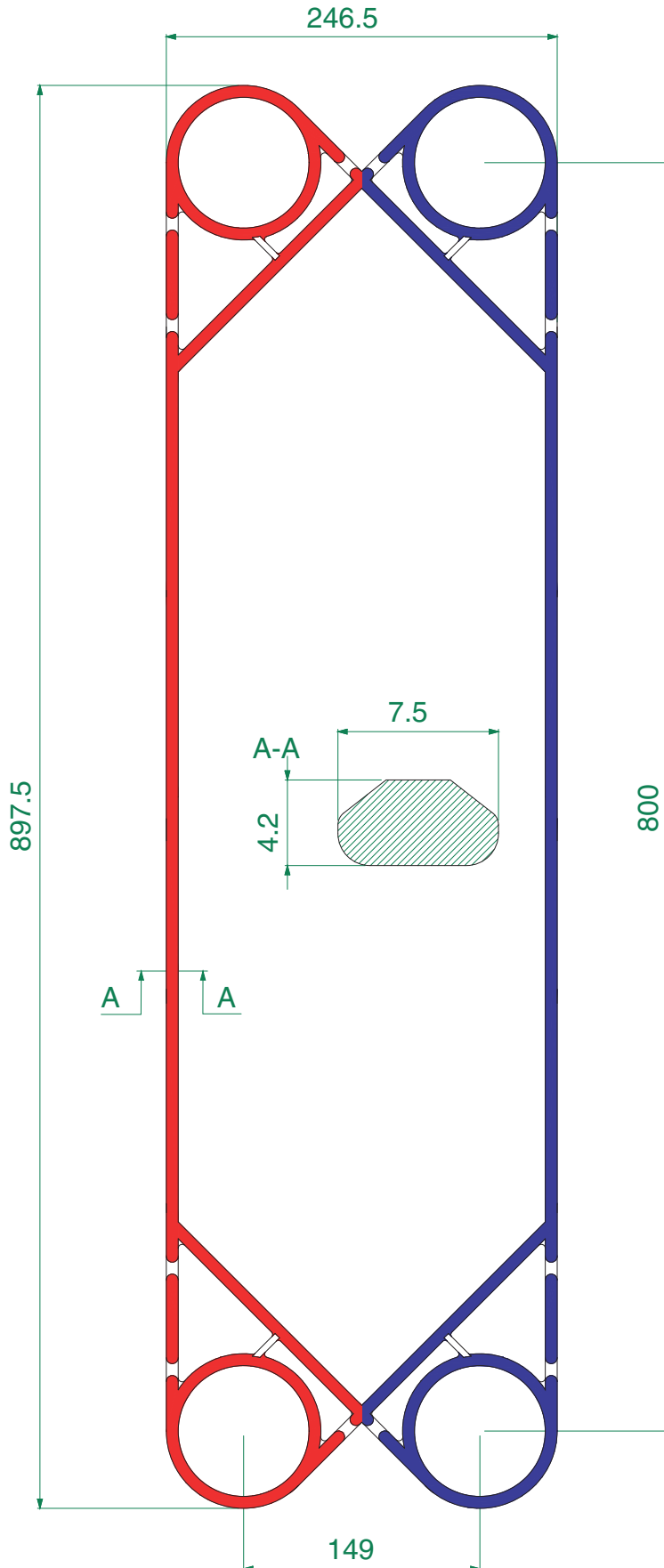
Pos	Orobica Code	Model	Brand	Gasket Type	Q.ty
-	900.0574	A085	APV	PARACLIP FLOWPLATE GASKET	-



Pos	Orobica Code	Model	Brand	Gasket Type	Q.ty
-	900.0605	A145	APV	PARACLIP FLOWPLATE GASKET	-

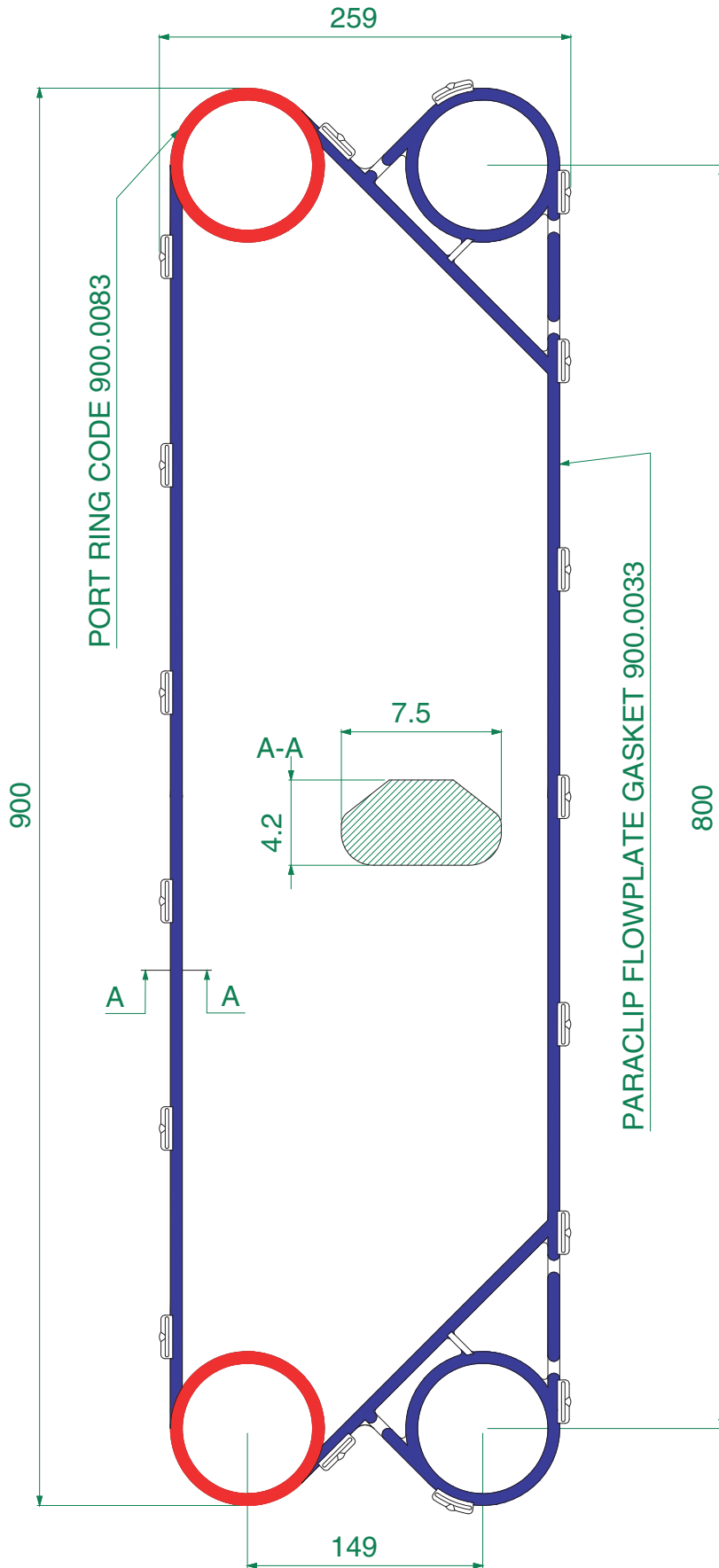


Pos	Orobica Code	Model	Brand	Gasket Type	Q.ty
-	900.0271	H17	APV	GLUED ENDPLATE GASKET SET	-



WE OBTAIN ENDPLATE GASKET SET CUTTING  
TWO GLUED FLOWPLATE GASKET OUR CODE 900.0173

Pos	Orobica Code	Model	Brand	Gasket Type	Q.ty
-	900.0411	H17	APV	PARACLIP ENDPLATE GASKET	-



WE OBTAIN PARACLIP ENDPLATE GASKET FROM CUTTING  
 1 PARACLIP FLOWPLATE GASKET OUR CODE 900.0033  
 2 LOW PORT RING OUR CODE 900.0083



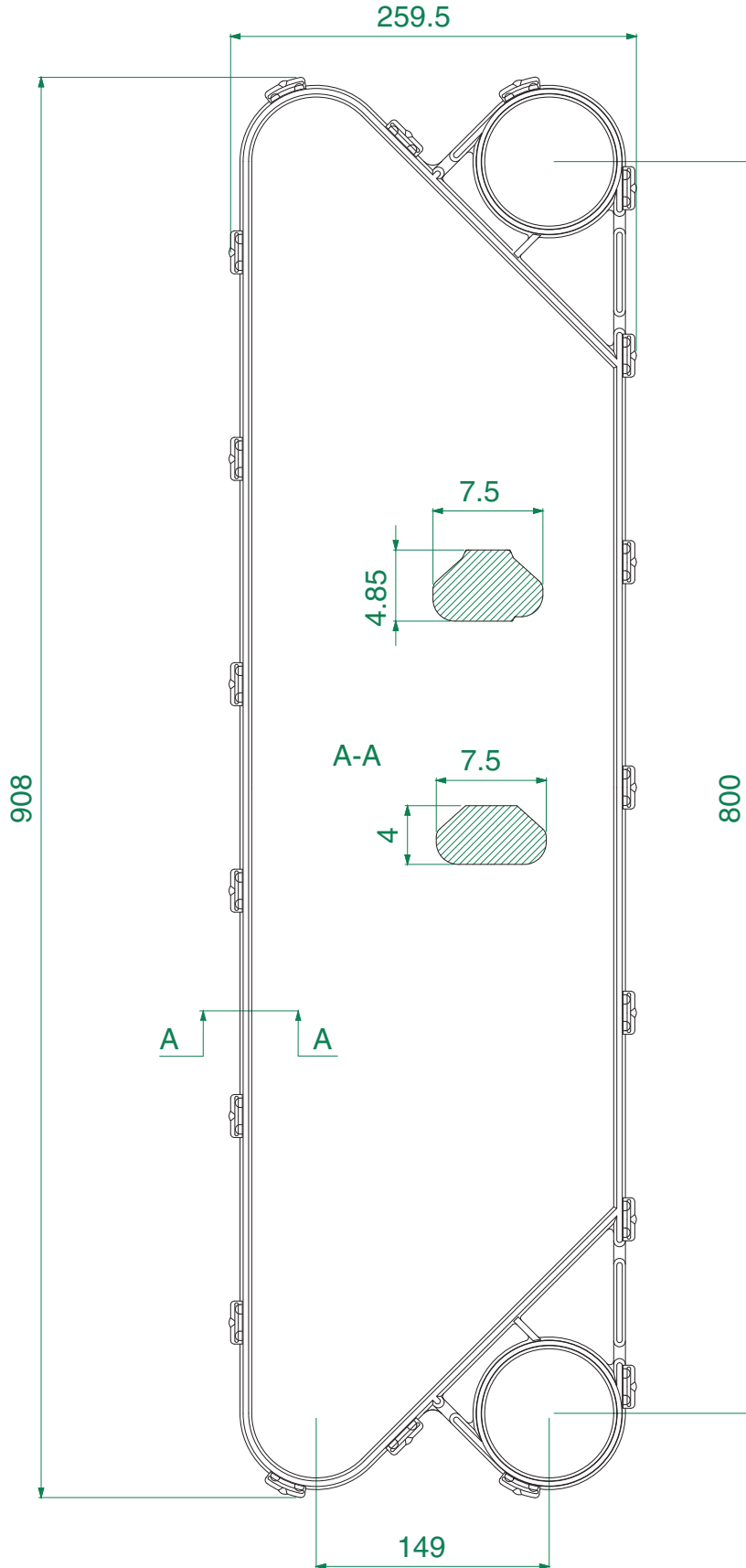
EXCHANGERS

ECHANGEURS

WÄRMEAUSTAUSCHER

INTERCAMBIADORES

Pos	Orobica Code	Model	Brand	Gasket Type	Q.ty
-	900.0236	H17	APV	PARACLIP DUOSAFETY FLOWPLATE GASKET	-



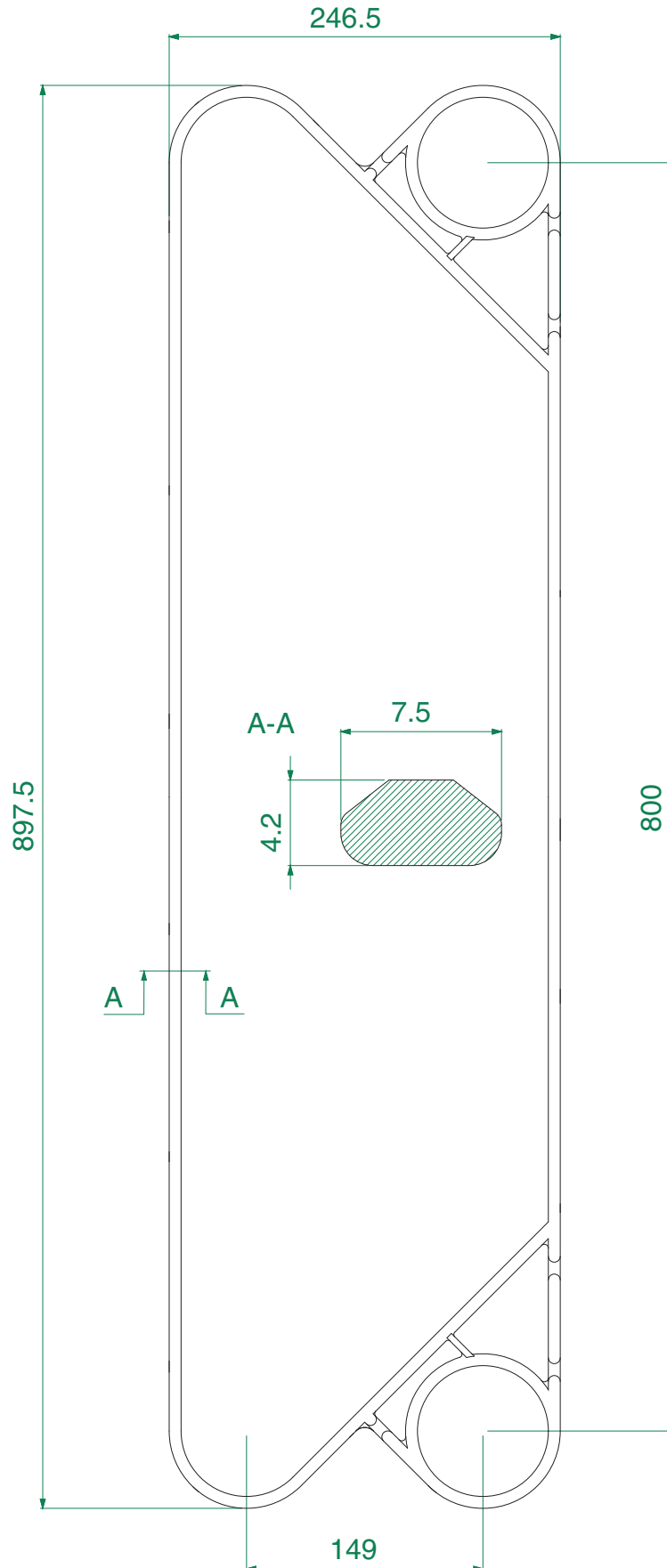
EXCHANGERS

ECHANGEURS

WÄRMEAUSTAUSCHER

INTERCAMBIADORES

Pos	Orobica Code	Model	Brand	Gasket Type	Q.ty
-	900.0173	H17	APV	GLUED FLOWPLATE GASKET	-



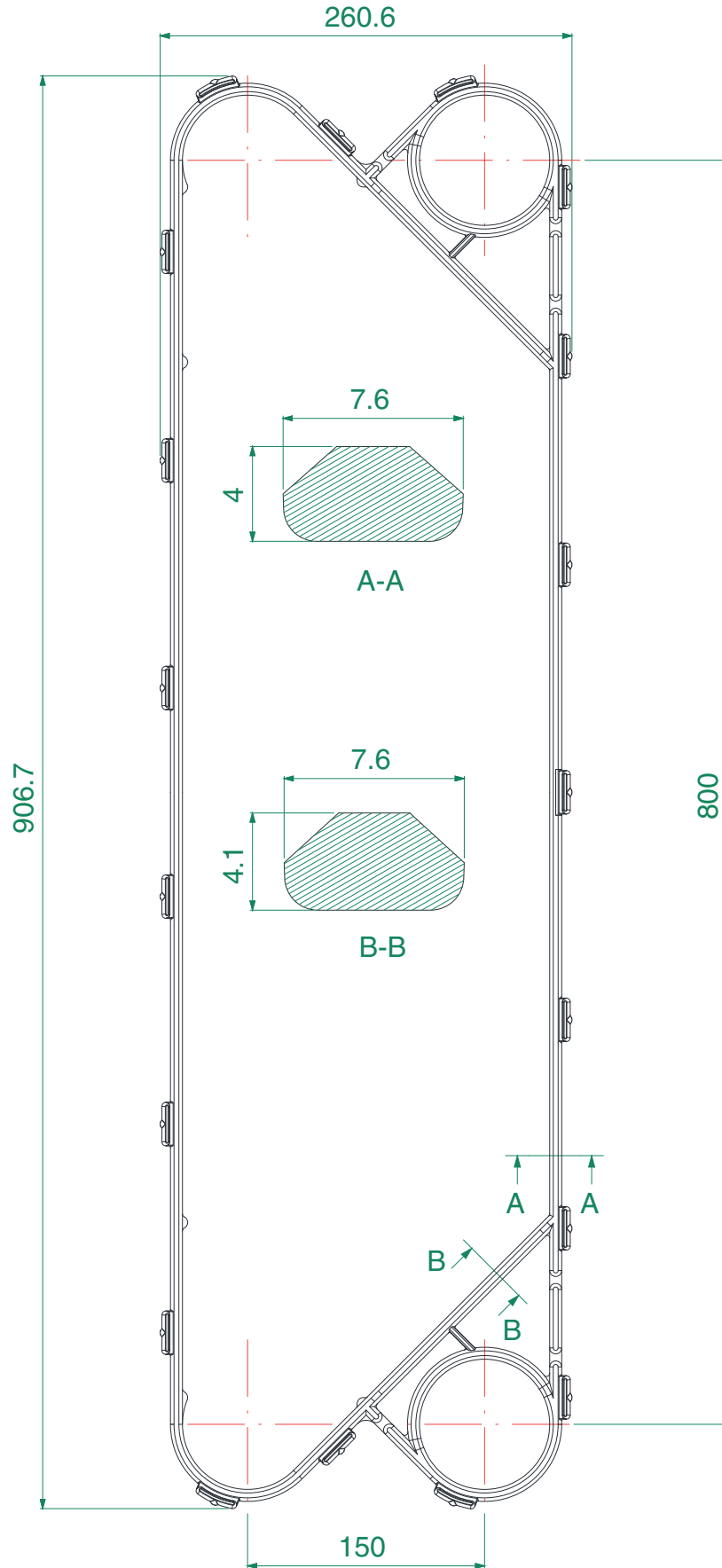
EXCHANGERS

ECHANGEURS

WÄRMEAUSTAUSCHER

INTERCAMBIADORES

Pos	Orobica Code	Model	Brand	Gasket Type	Q.ty
-	900.0033	H17	APV	PARACLIP FLOWPLATE GASKET	-



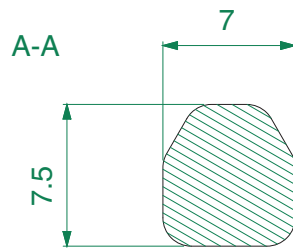
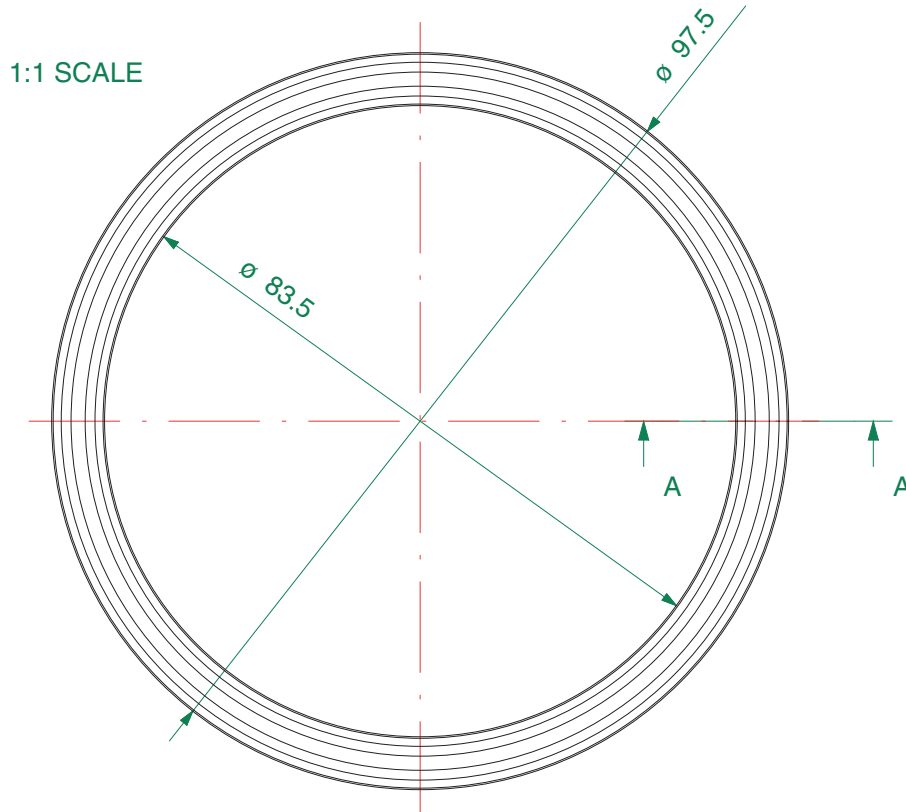
EXCHANGERS

ECHANGEURS

WÄRMEAUSTAUSCHER

INTERCAMBIADORES

Pos	Orobica Code	Model	Brand	Gasket Type	Q.ty
-	900.0082	H17	APV	HIGH FRAME PORT RING GASKET	-



EXCHANGERS

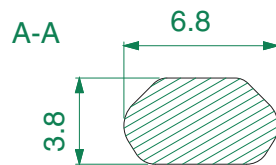
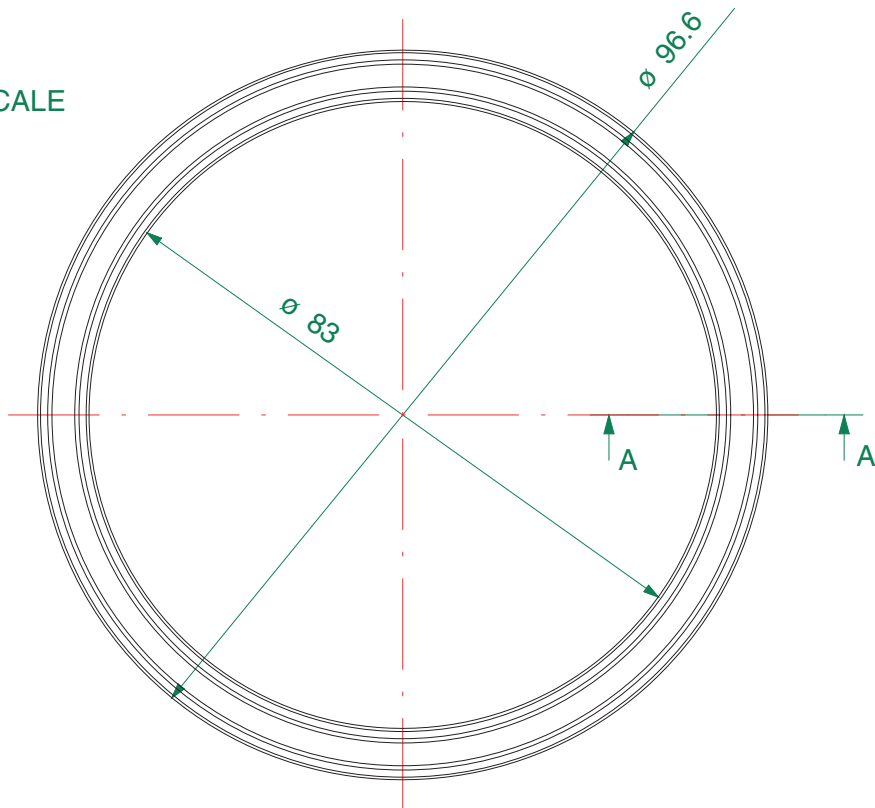
ECHANGEURS

WÄRMEAUSTAUSCHER

INTERCAMBIADORES

Pos	Orobica Code	Model	Brand	Gasket Type	Q.ty
-	900.0083	H17	APV	LOW FRAME PORT RING GASKET	-

1:1 SCALE



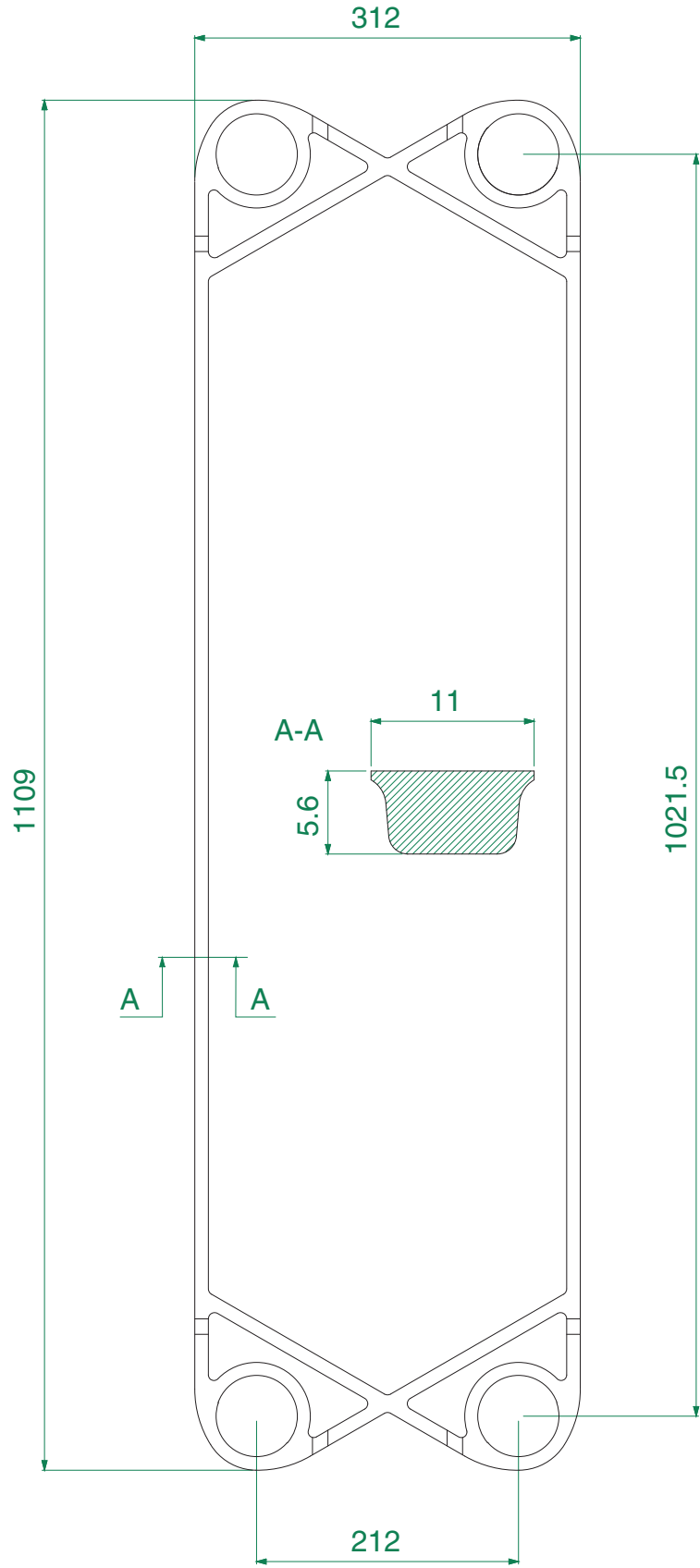
EXCHANGERS

ECHANGEURS

WÄRMEAUSTAUSCHER

INTERCAMBIADORES

Pos	Orobica Code	Model	Brand	Gasket Type	Q.ty
-	900.0040	HMB	APV	ENDPLATE GASKET	-



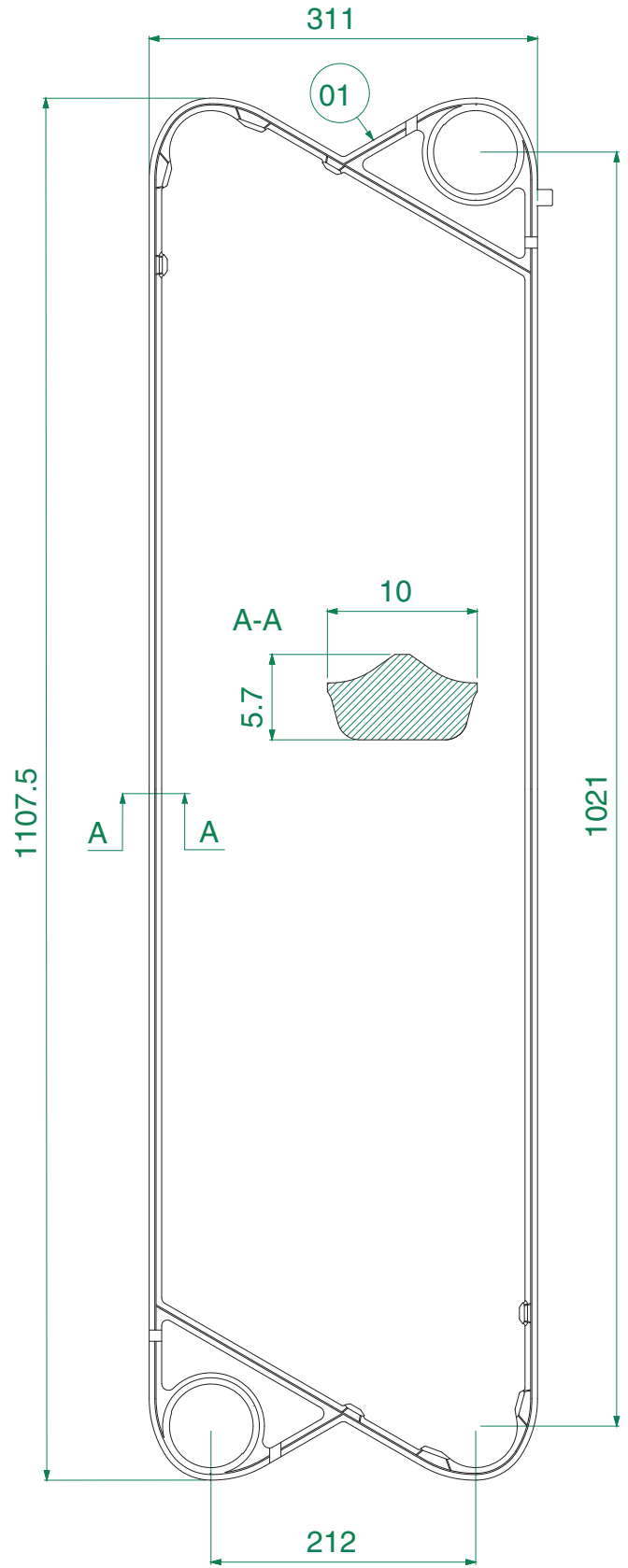
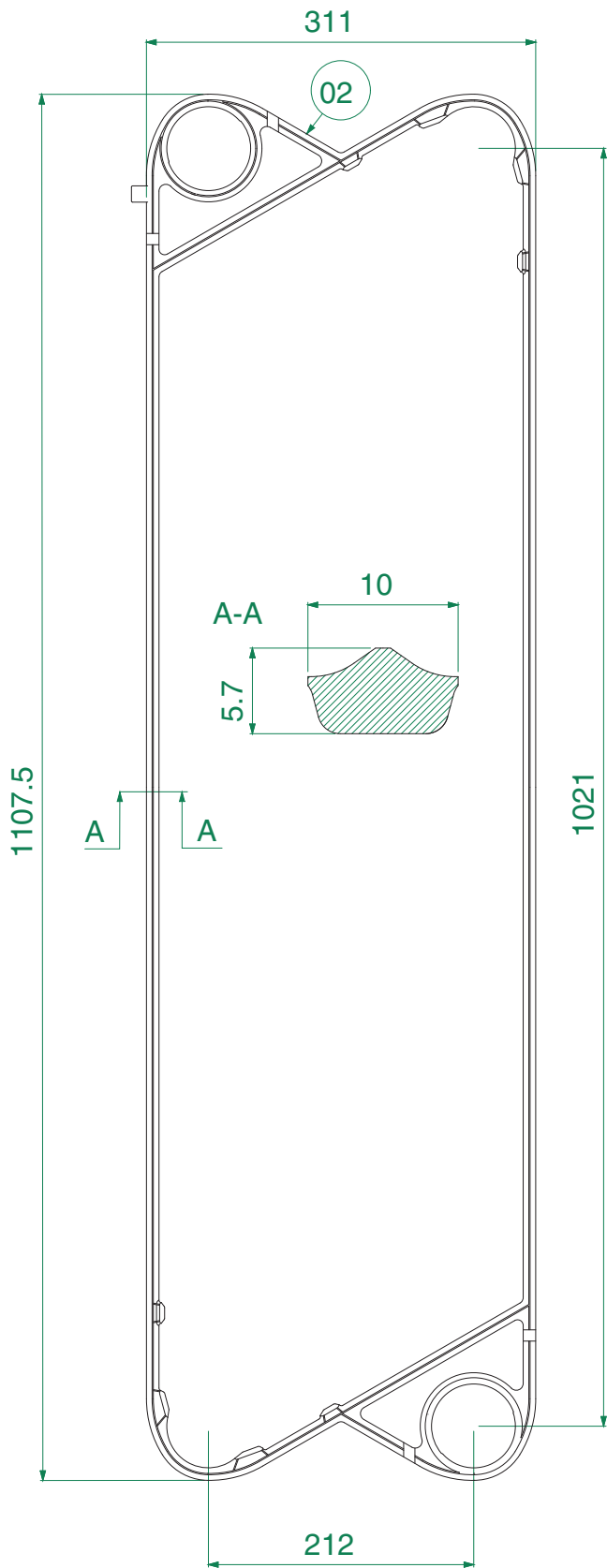
EXCHANGERS

ECHANGEURS

WÄRMEAUSTAUSCHER

INTERCAMBIADORES

Pos	Orobica Code	Model	Brand	Gasket Type	Q.ty
01	900.0038	HMB DX	APV	RIGHT FLOWPLATE GASKET	-
02	900.0039	HMB SX	APV	LEFT FLOWPLATE GASKET	-



EXCHANGERS

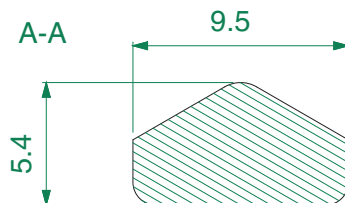
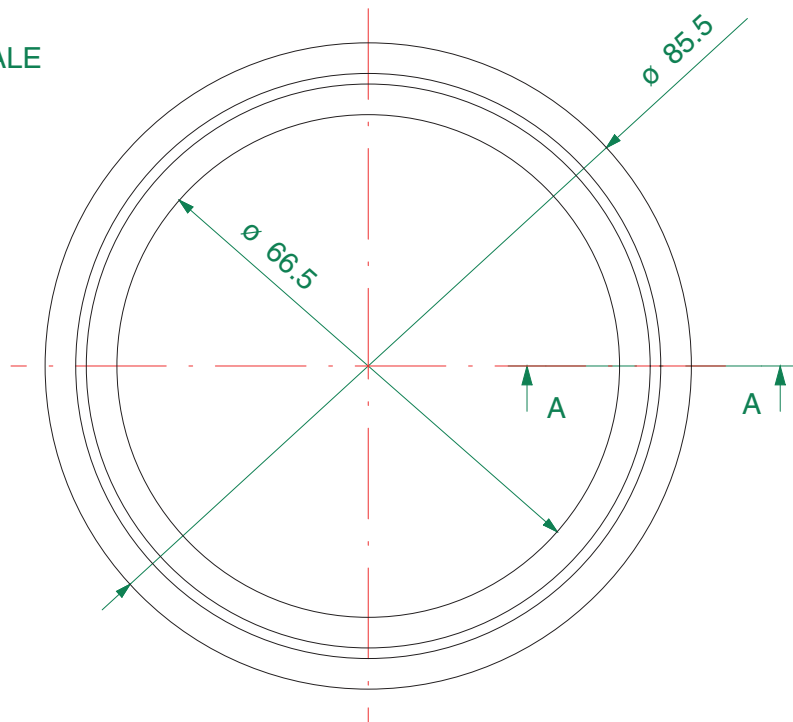
ECHANGEURS

WÄRMEAUSTAUSCHER

INTERCAMBIADORES

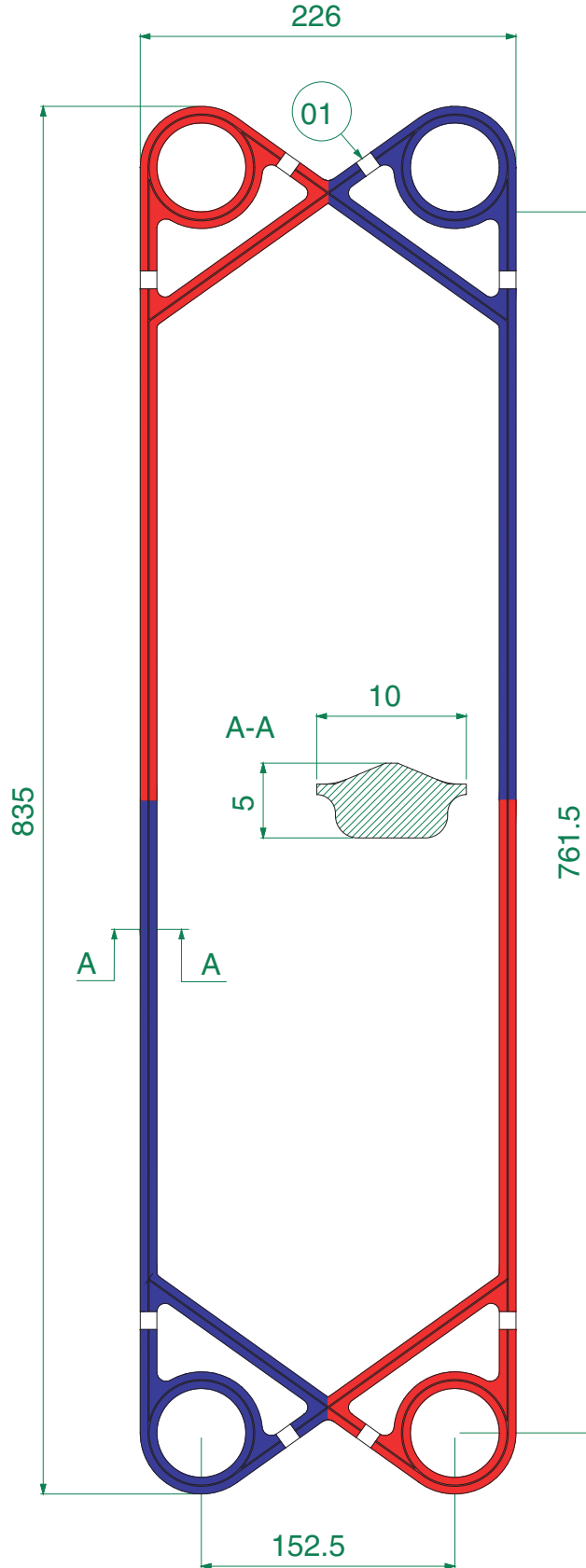
Pos	Orobica Code	Model	Brand	Gasket Type	Q.ty
-	900.0151	HMB	APV	FRAME PORT RING GASKET	-

1:1 SCALE





Pos	Orobica Code	Model	Brand	Gasket Type	Q.ty
-	900.0405	HX	APV	SPECIAL ENDPLATE GASKET SET	-



WE OBTAIN SPECIAL ENDPLATE GASKET SE CUTTING  
 ONE RIGHT FLOWPLATE GASKET OUR CODE 900.0027  
 ONE LEFT FLOWPLATE GASKET OUR CODE 900.0028

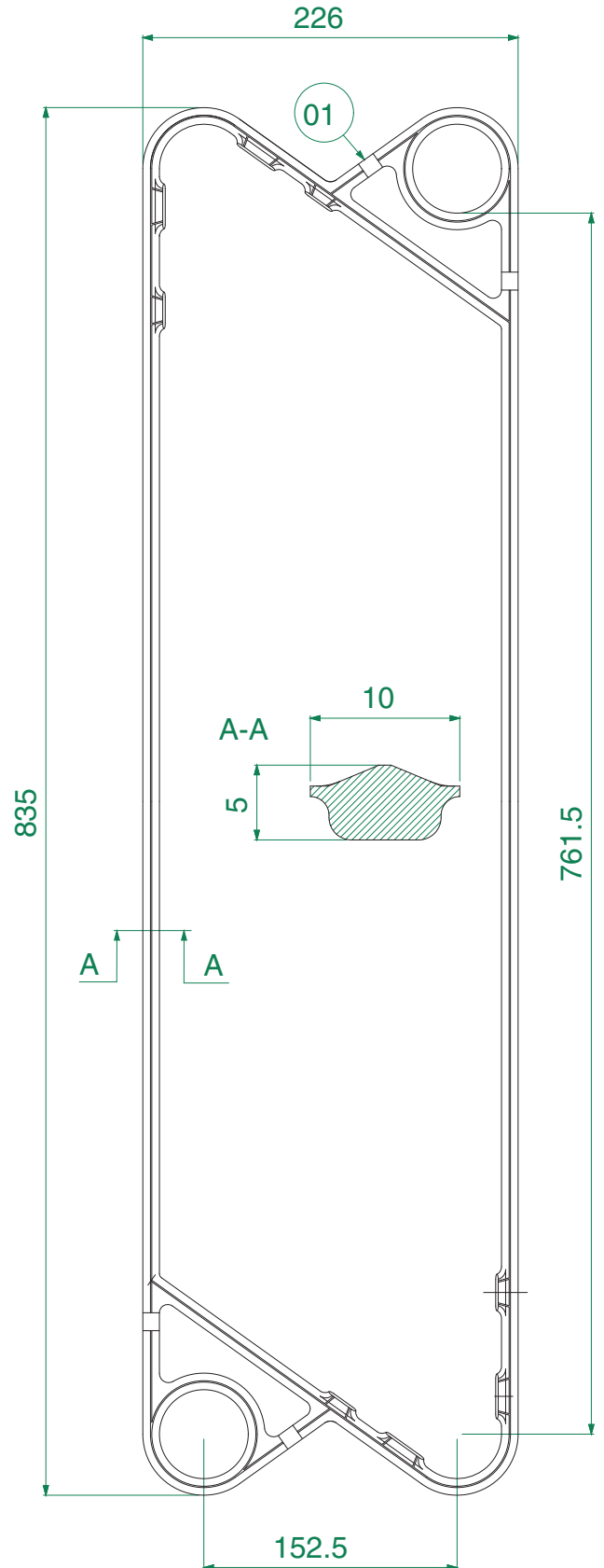
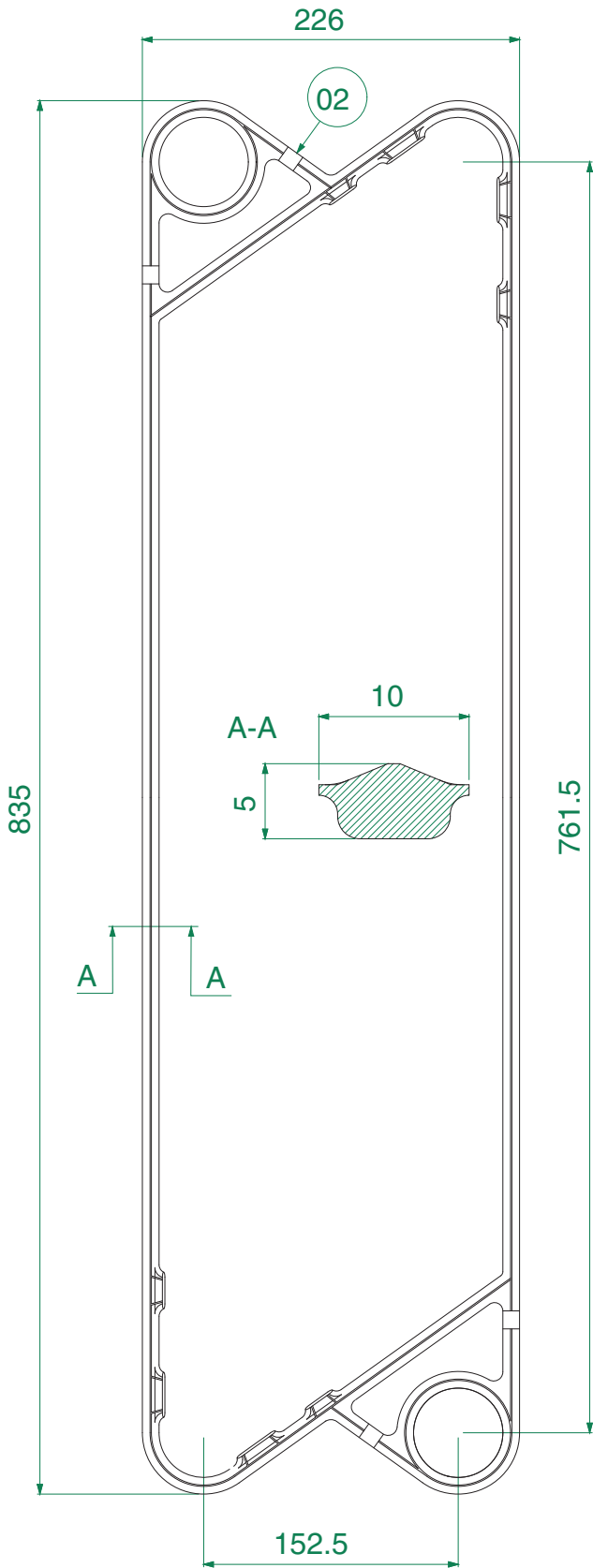
EXCHANGERS

ECHANGEURS

WÄRMEAUSTAUSCHER

INTERCAMBIADORES

Pos	Orobica Code	Model	Brand	Gasket Type	Q.ty
01	900.0027	HX RH	APV	RIGHT FLOWPLATE GASKET	-
02	900.0028	HX LT	APV	LEFT FLOWPLATE GASKET	-



EXCHANGERS

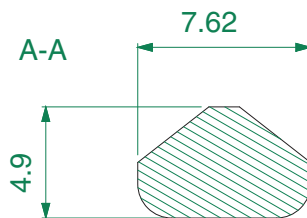
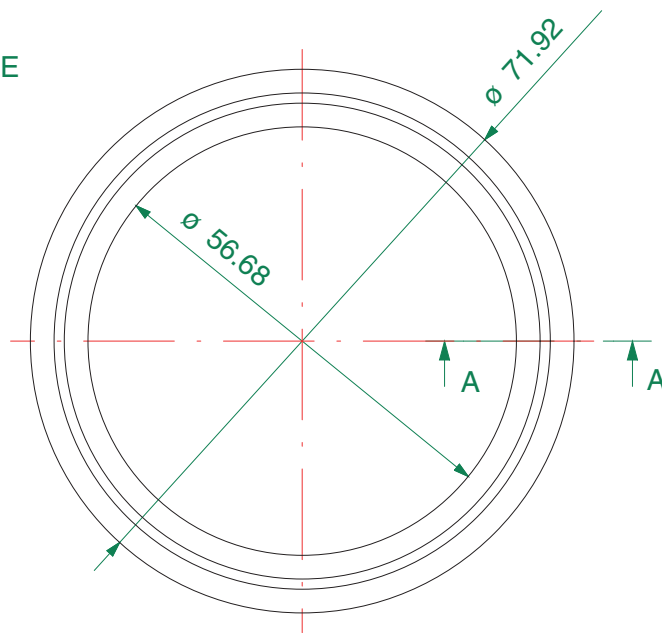
ECHANGEURS

WÄRMEAUSTAUSCHER

INTERCAMBIADORES

Pos	Orobica Code	Model	Brand	Gasket Type	Q.ty
-	900.0143	HX	APV	FRAME PORT RING GASKET	-

1:1 SCALE



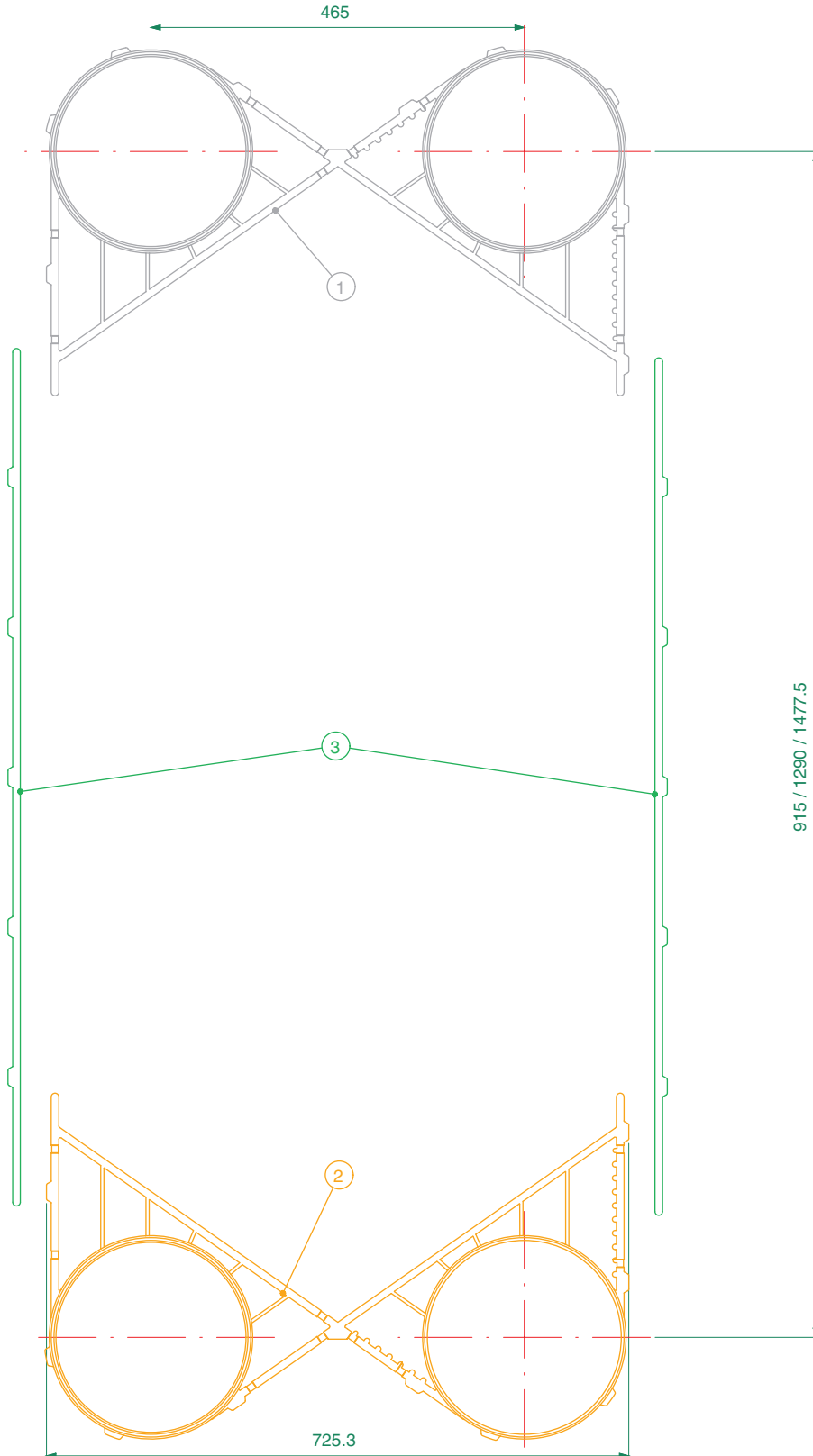
EXCHANGERS

ECHANGEURS

WÄRMEAUSTAUSCHER

INTERCAMBIADORES

Pos	Orobica Code	Model	Brand	Gasket Type	Q.ty
1-3	900.0573	J060/092/107	APV	END SET FOR "J060-092-107"	1
1	900.0573 1	J060/092/107/185	APV	HEAD TYPE 1	1
2	900.0573 2	J060/092/107/185	APV	HEAD TYPE 2	1
3	900.0573 3	J060/092/107/185	APV	CONNECTION GASKET	2



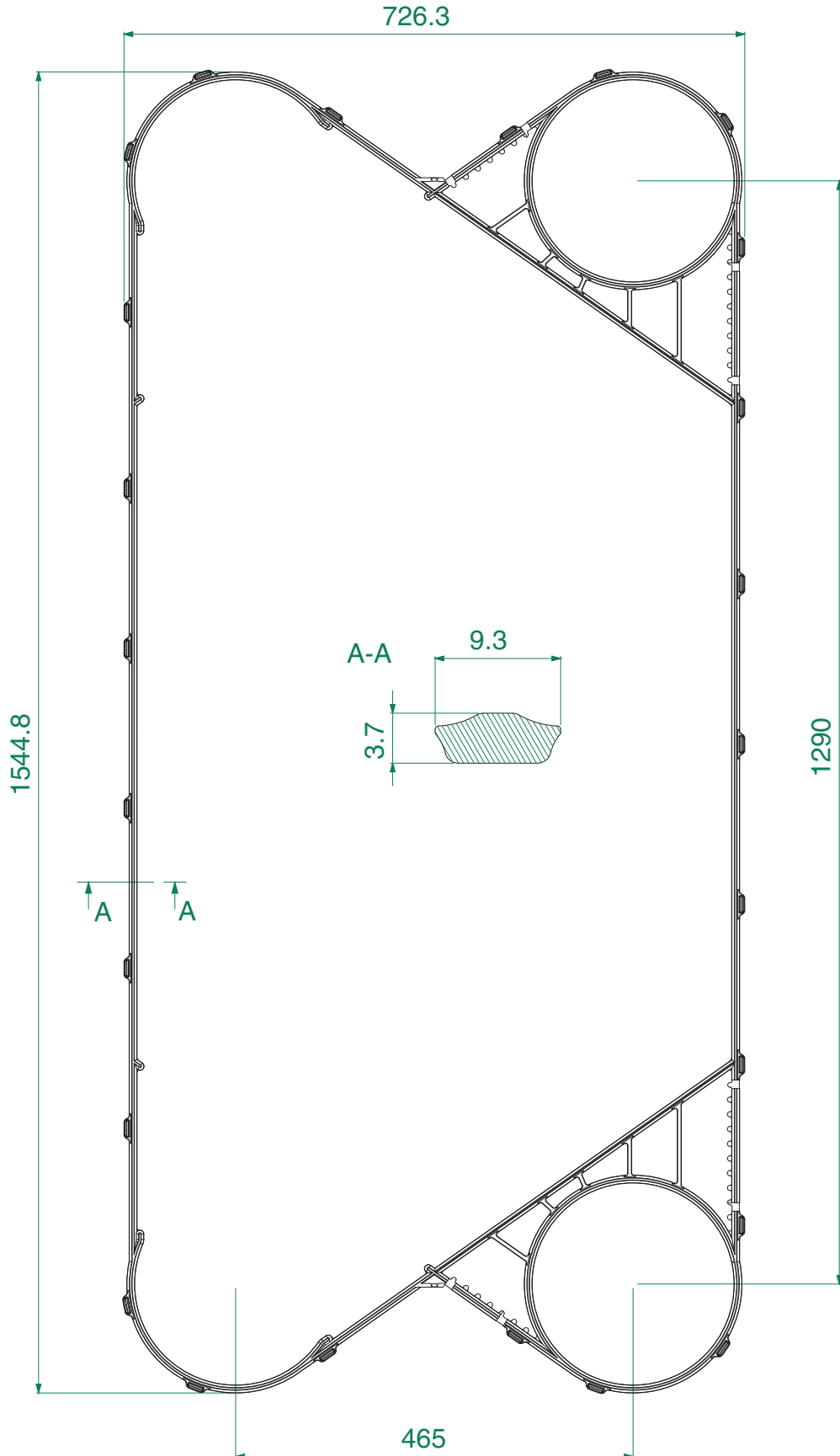
EXCHANGERS

ECHANGEURS

WÄRMEAUSTAUSCHER

INTERCAMBIADORES

Pos	Orobica Code	Model	Brand	Gasket Type	Q.ty
-	900.0340	J092	APV	PARACLIP FLOWPLATE GASKET	-



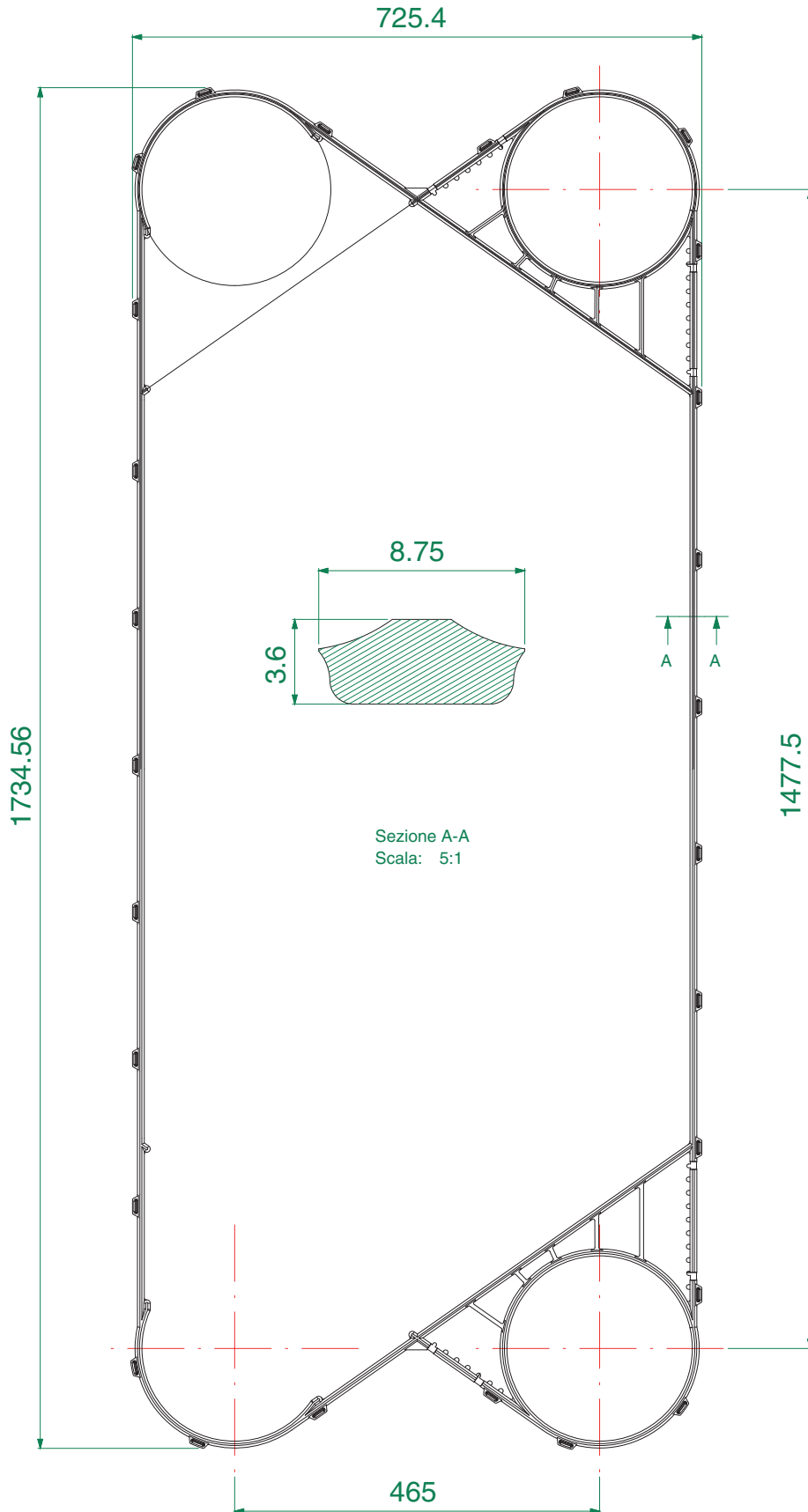
EXCHANGERS

ECHANGEURS

WÄRMEAUSTAUSCHER

INTERCAMBIADORES

Pos	Orobica Code	Model	Brand	Gasket Type	Q.ty
-	900.0525	J107	APV	Paraclip flowplate gasket	-



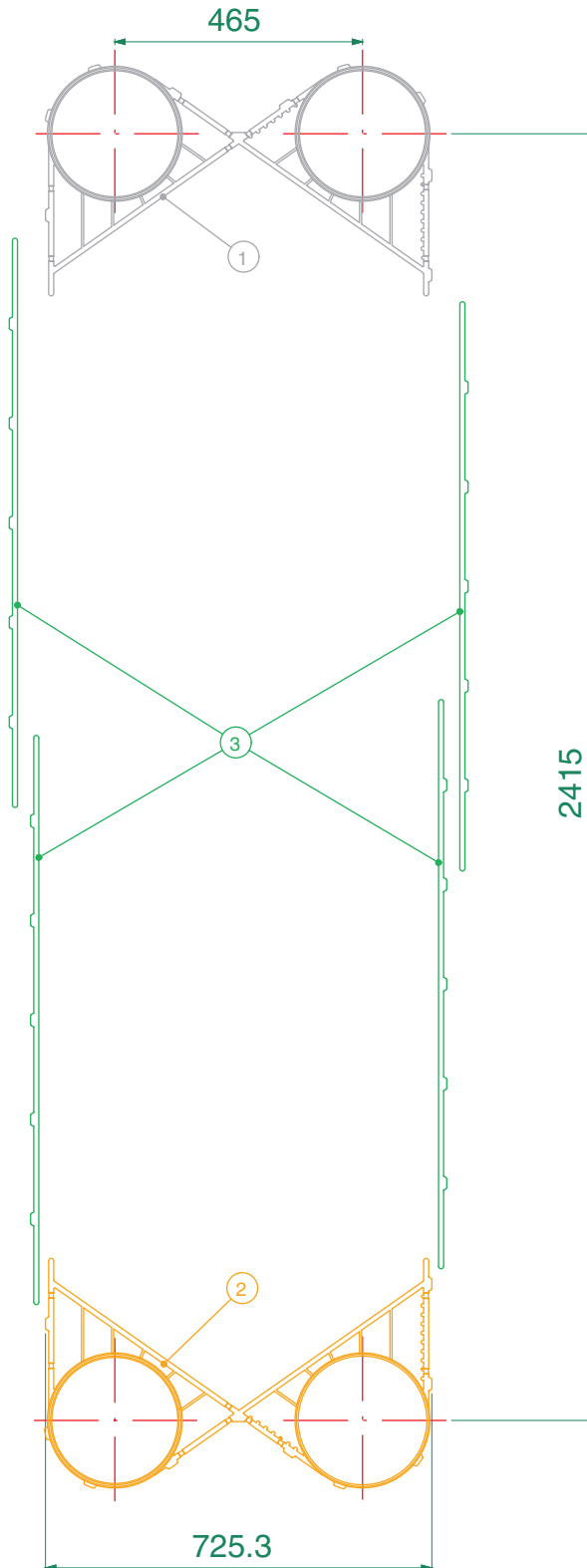
EXCHANGERS

ECHANGEURS

WÄRMEAUSTAUSCHER

INTERCAMBIADORES

Pos	Orobica Code	Model	Brand	Gasket Type	Q.ty
1-3	900.0634	J185	APV	END SET FOR "J185"	1
1	900.0573 1	J060/092/107/185	APV	HEAD TYPE 1	1
2	900.0573 2	J060/092/107/185	APV	HEAD TYPE 2	1
3	900.0573 3	J060/092/107/185	APV	CONNECTION GASKET	4



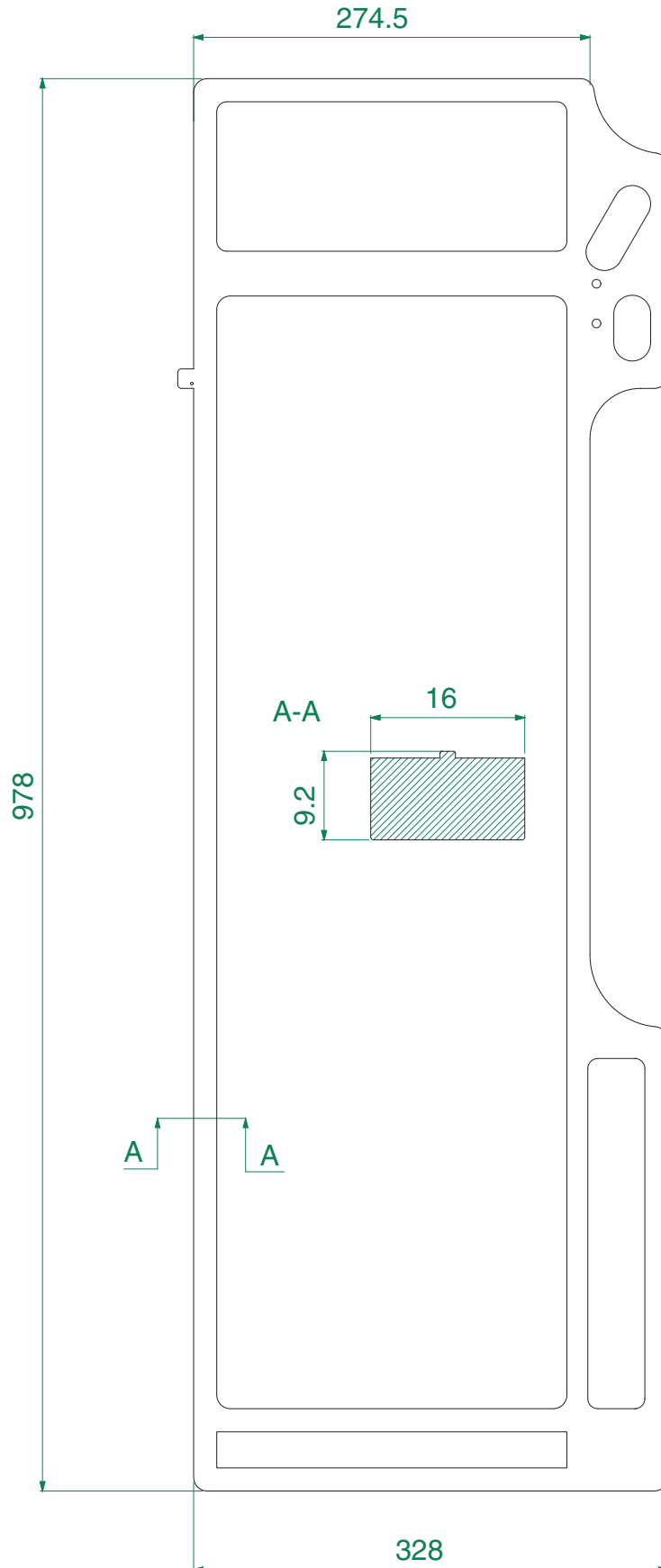
EXCHANGERS

ECHANGEURS

WÄRMEAUSTAUSCHER

INTERCAMBIADORES

Pos	Orobica Code	Model	Brand	Gasket Type	Q.ty
-	900.0150	JUNIOR	APV	EVAPORATOR PLATE GASKET	-





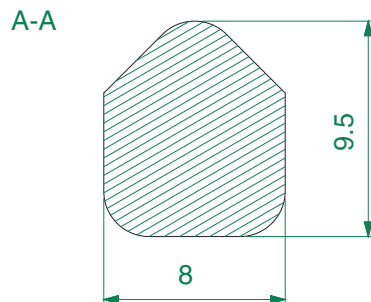
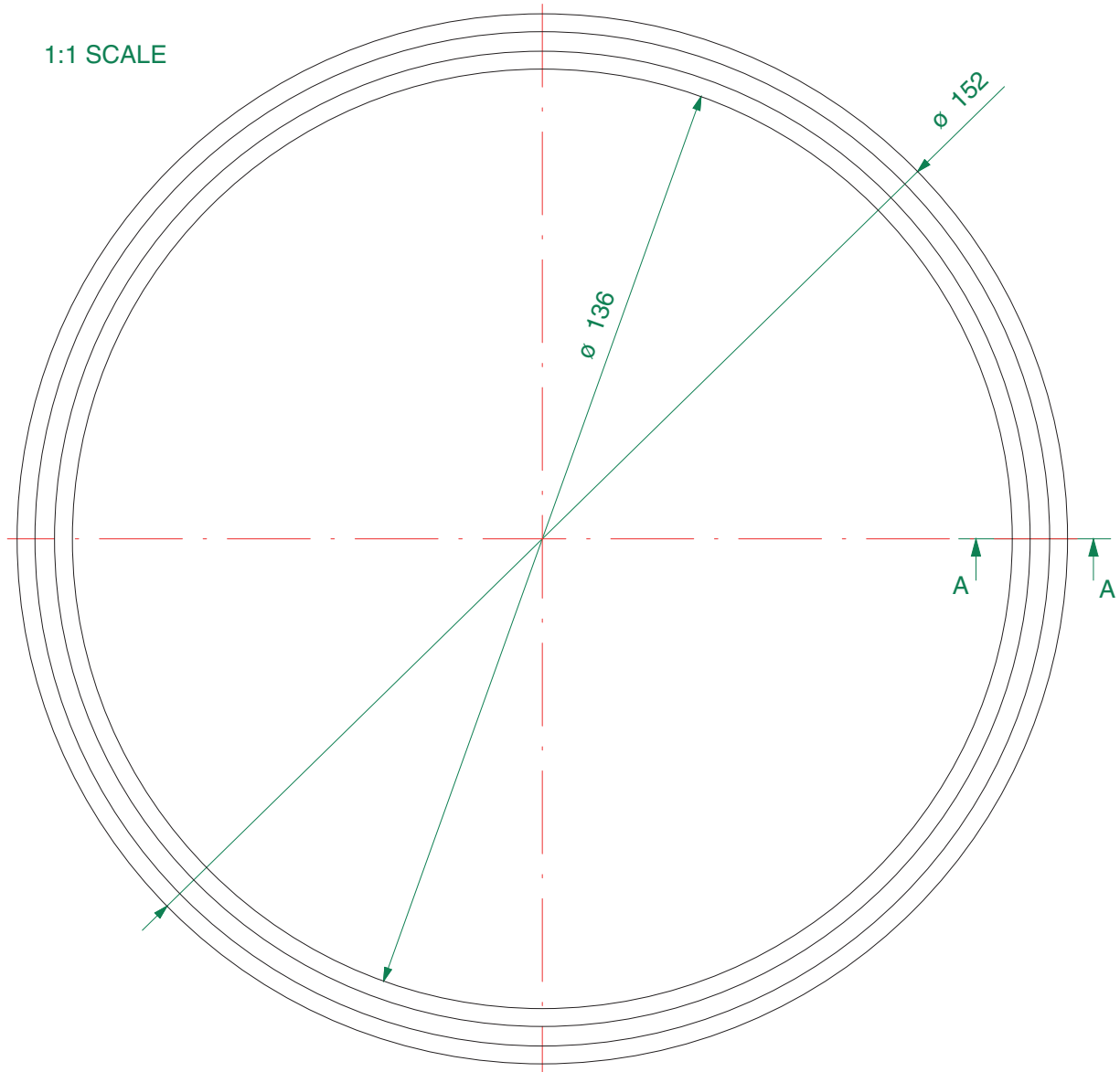
EXCHANGERS

ECHANGEURS

WÄRMEAUSTAUSCHER

INTERCAMBIADORES

Pos	Orobica Code	Model	Brand	Gasket Type	Q.ty
-	900.0238	K - Q	APV	HIGHTFRAME PORT RING	-



EXCHANGERS

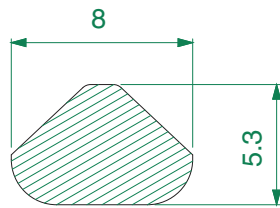
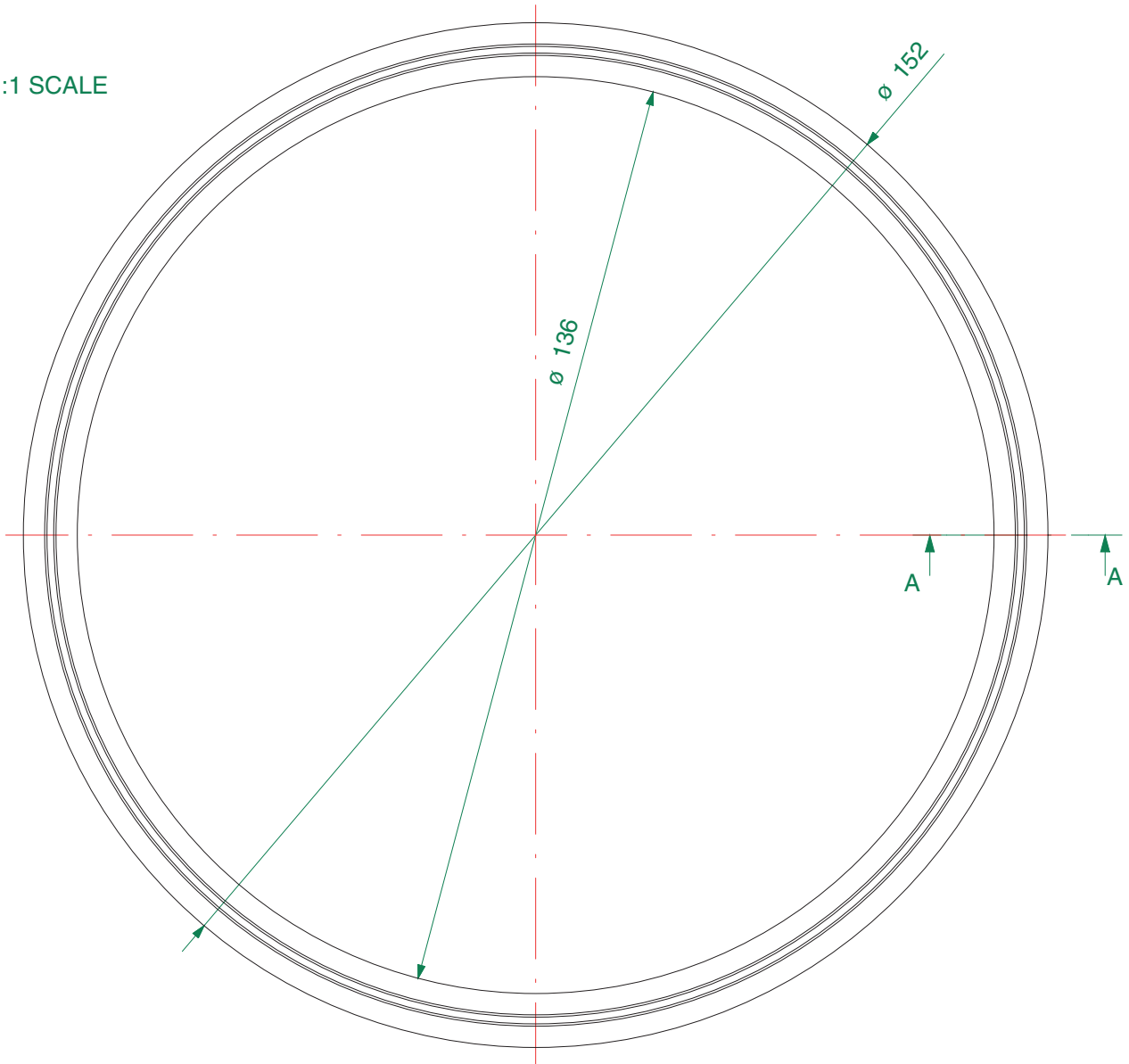
ECHANGEURS

WÄRMEAUSTAUSCHER

INTERCAMBIADORES

Pos	Orobica Code	Model	Brand	Gasket Type	Q.ty
-	900.0239	K - Q	APV	LOWFRAME PORT RING	-

1:1 SCALE



A-A

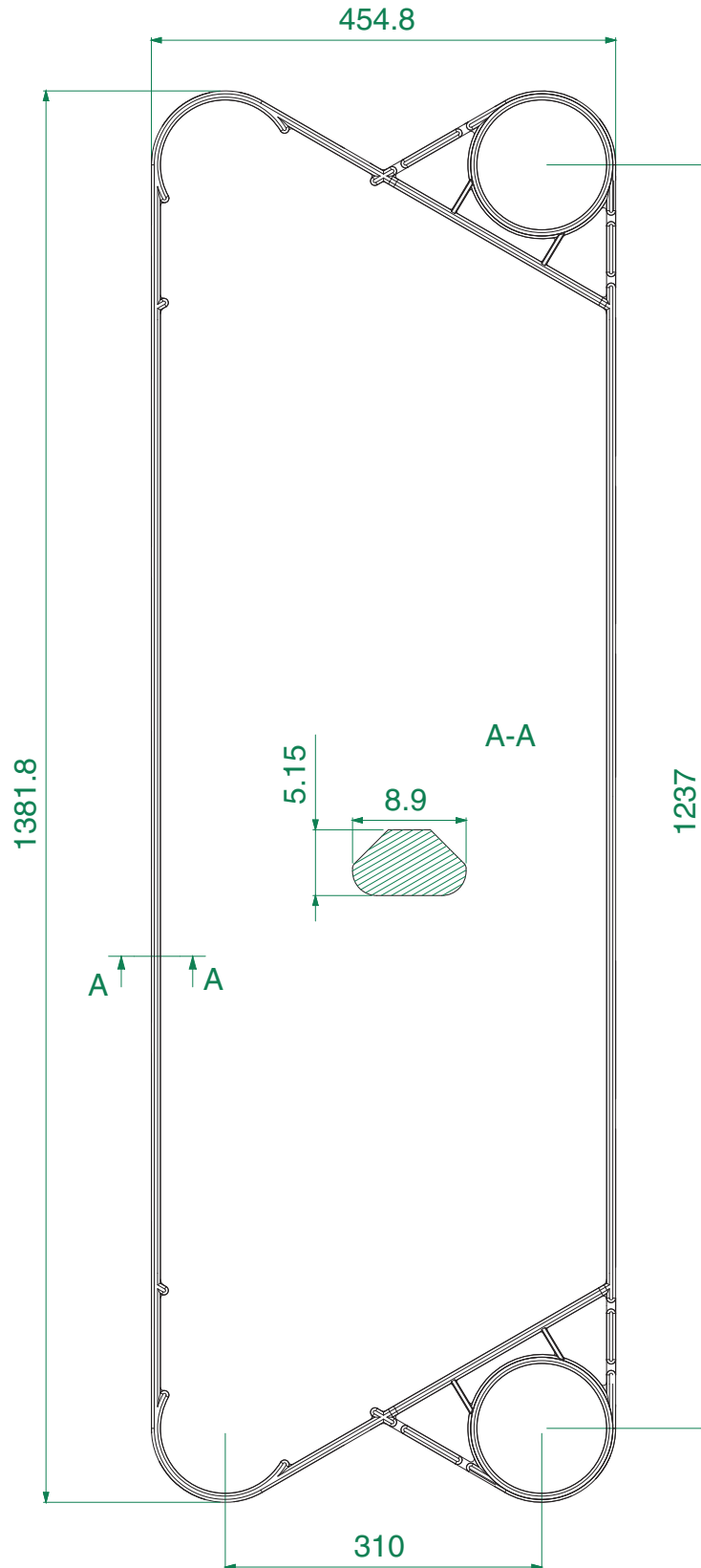
EXCHANGERS

ECHANGEURS

WÄRMEAUSTAUSCHER

INTERCAMBIADORES

Pos	Orobica Code	Model	Brand	Gasket Type	Q.ty
-	900.0167	K55	APV	STUCK-IN FLOWPLATE GASKET GLUED	-



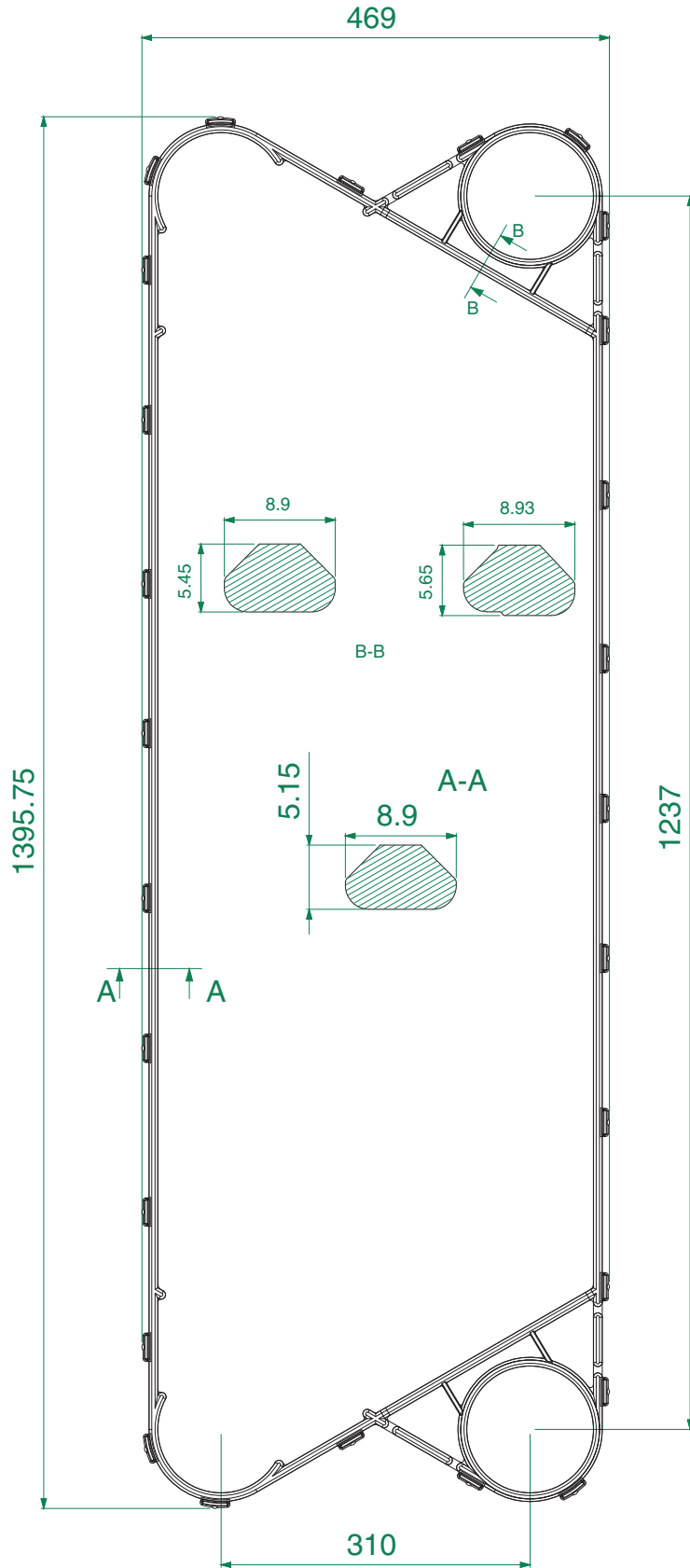
EXCHANGERS

ECHANGEURS

WÄRMEAUSTAUSCHER

INTERCAMBIADORES

Pos	Orobica Code	Model	Brand	Gasket Type	Q.ty
-	900.0237	K55	APV	PARACLIP FLOWPLATE GASKET	-



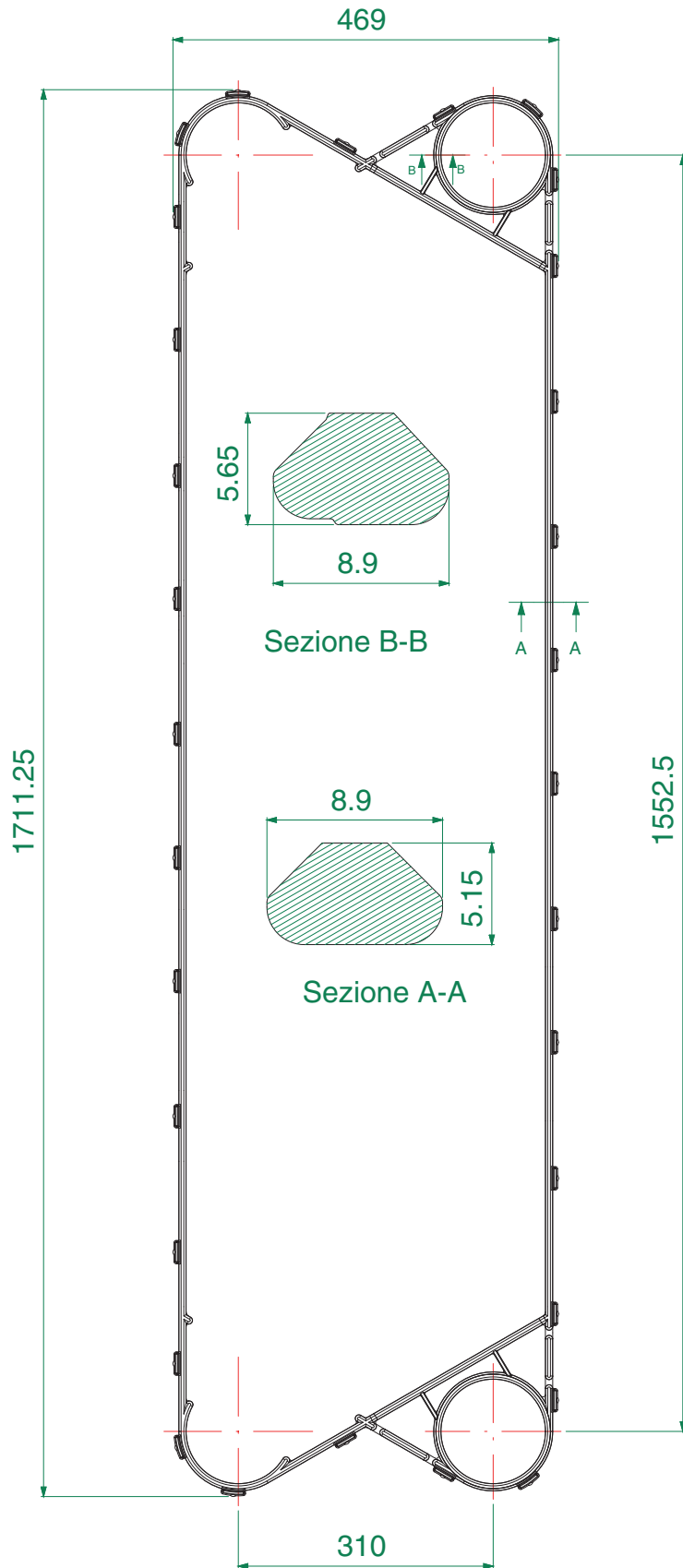
EXCHANGERS

ECHANGEURS

WÄRMEAUSTAUSCHER

INTERCAMBIADORES

Pos	Orobica Code	Model	Brand	Gasket Type	Q.ty
-	900.0467	K 71	APV	K 71 PARACLIP DUO SAFETY	-



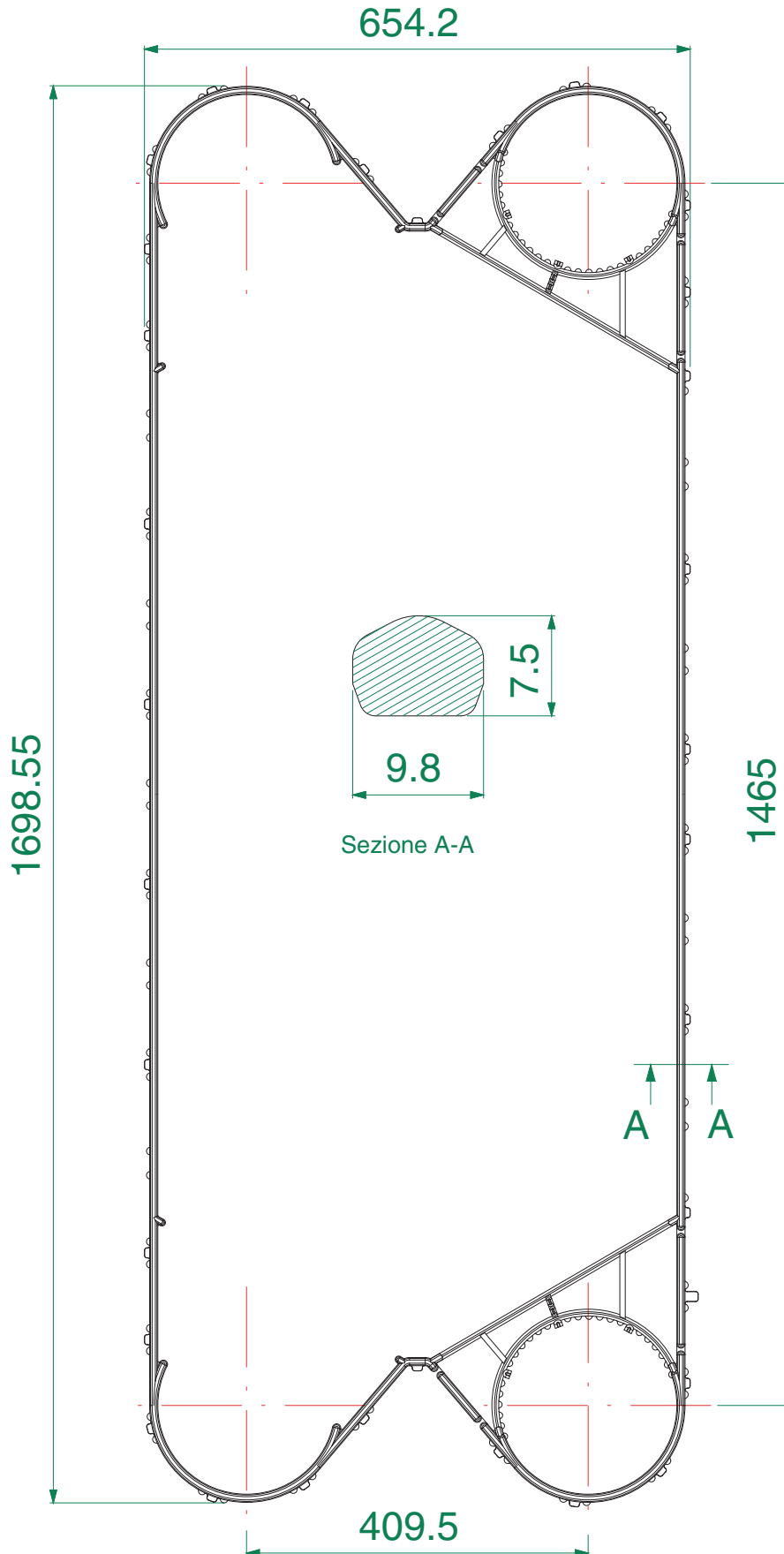
EXCHANGERS

ECHANGEURS

WÄRMEAUSTAUSCHER

INTERCAMBIADORES

Pos	Orobica Code	Model	Brand	Gasket Type	Q.ty
-	900.0481	LR9 GN	APV	FLOW PLATE GASKET	-



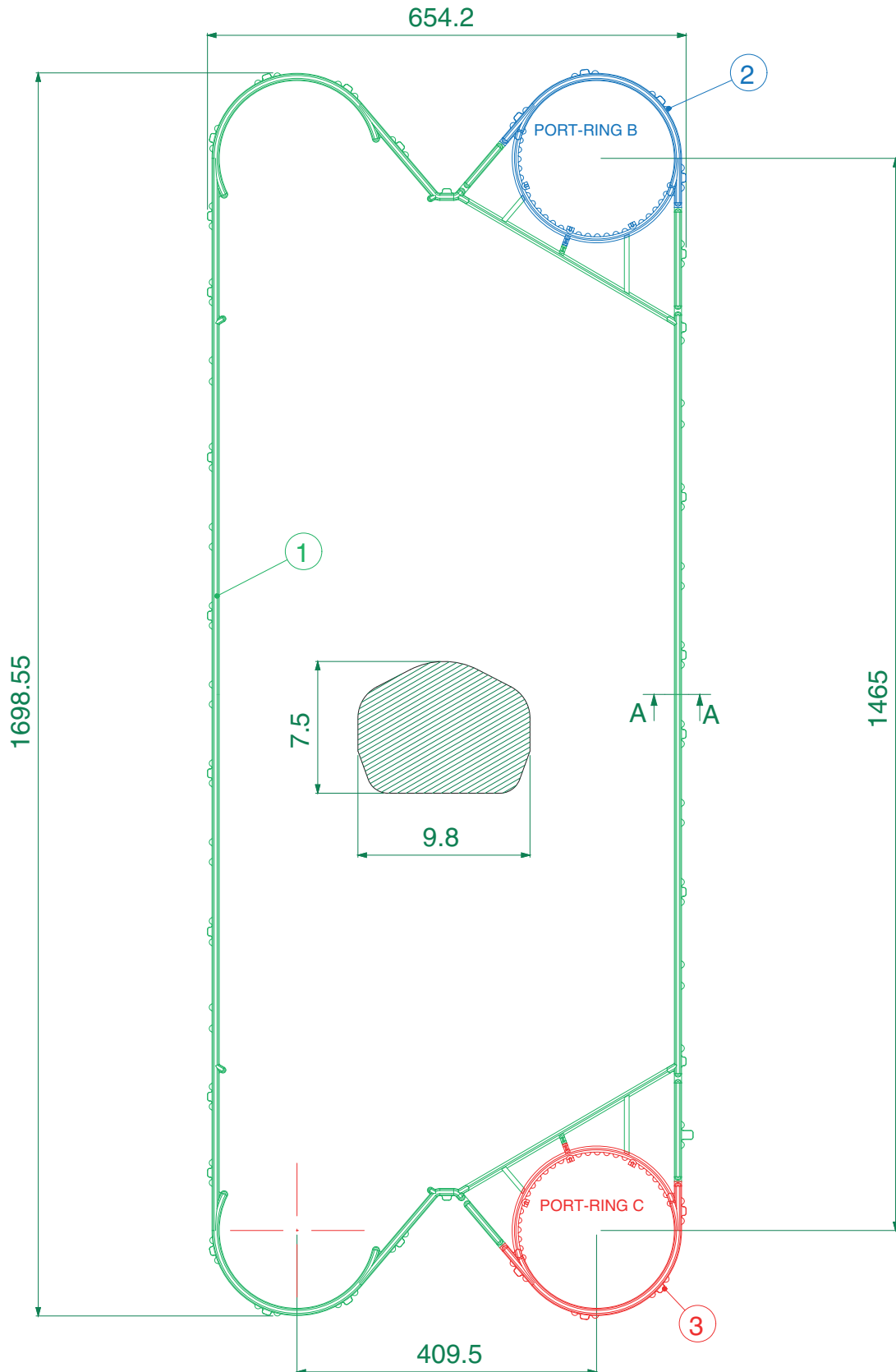
EXCHANGERS

ECHANGEURS

WÄRMEAUSTAUSCHER

INTERCAMBIADORES

Pos	Orobica Code	Model	Brand	Gasket Type	Q.ty
1	900.0497	LR9GN	APV	FIELD GASKET FOR LR9GN MULTIPIECE	-
2	900.0498	LR9GN	APV	PORT-RING B FOR LR9GN MULTIPIECE	-
3	900.0499	LR9GN	APV	PORT-RING C FOR LR9GN MULTIPIECE	-



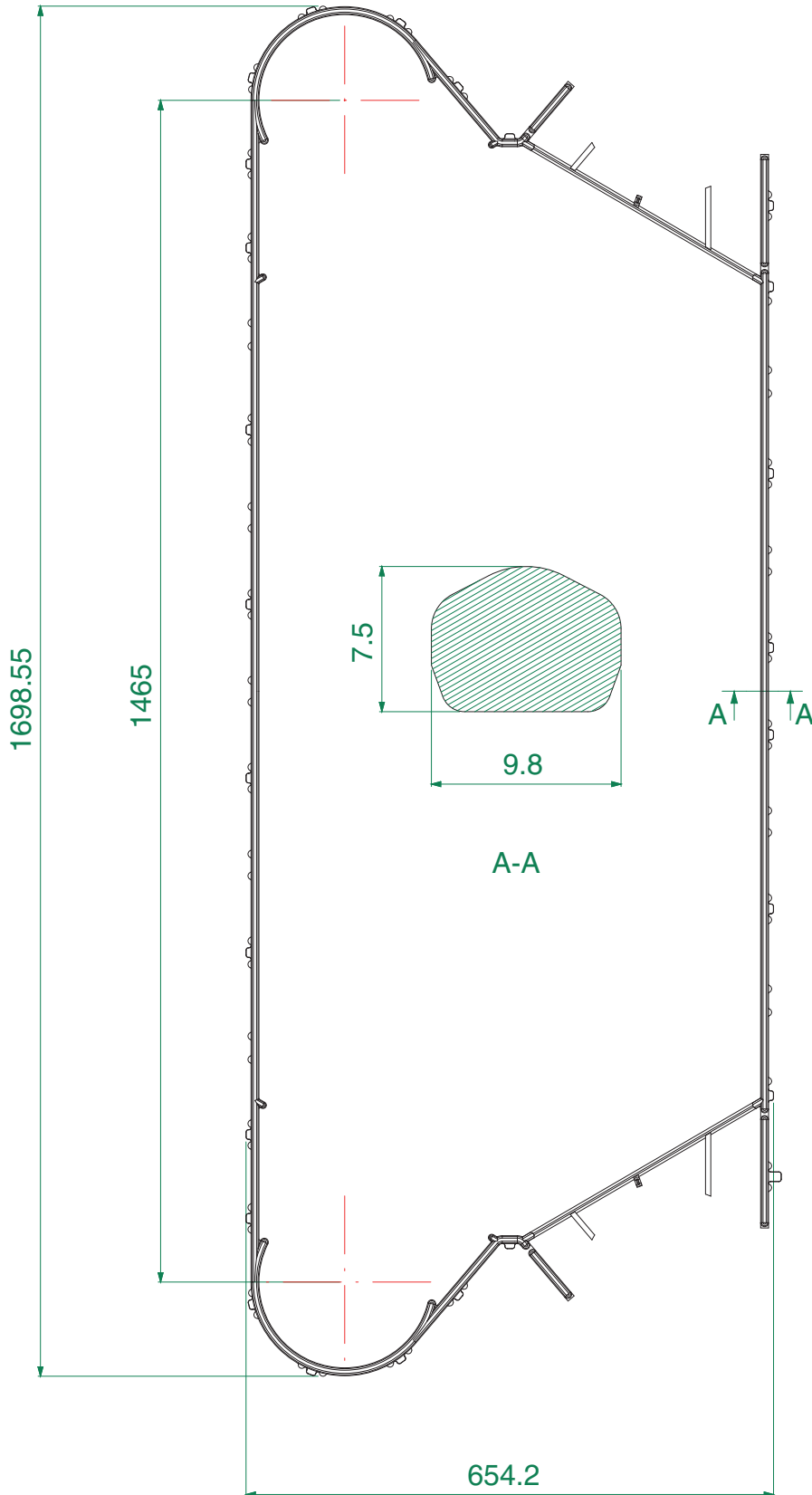
EXCHANGERS

ECHANGEURS

WÄRMEAUSTAUSCHER

INTERCAMBIADORES

Pos	Orobica Code	Model	Brand	Gasket Type	Q.ty
-	900.0497	LR9GN	APV	FIELD GASKET FOR LR9GN MULTIPIECE	-





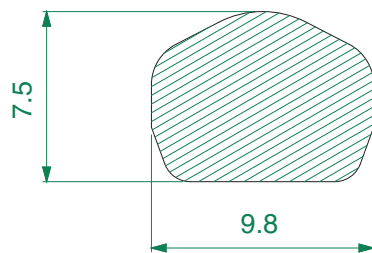
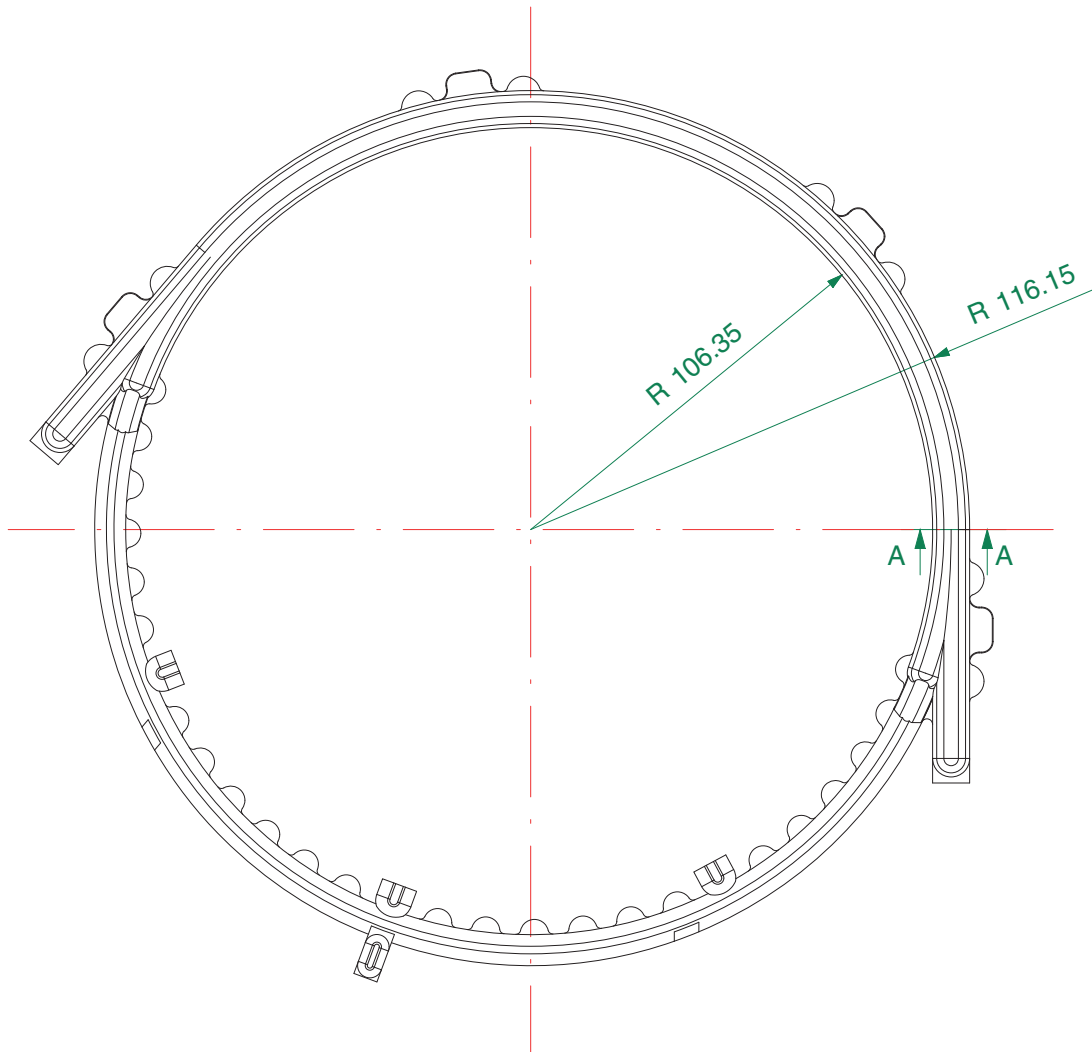
EXCHANGERS

ECHANGEURS

WÄRMEAUSTAUSCHER

INTERCAMBIADORES

Pos	Orobica Code	Model	Brand	Gasket Type	Q.ty
-	900.0498	LR9GN	APV	PORT-RING B FOR LR9GN MULTIPIECE	-



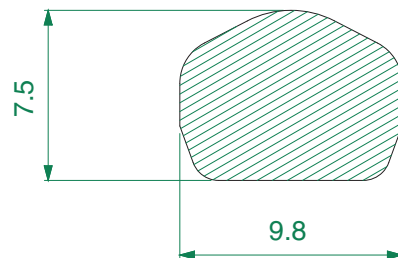
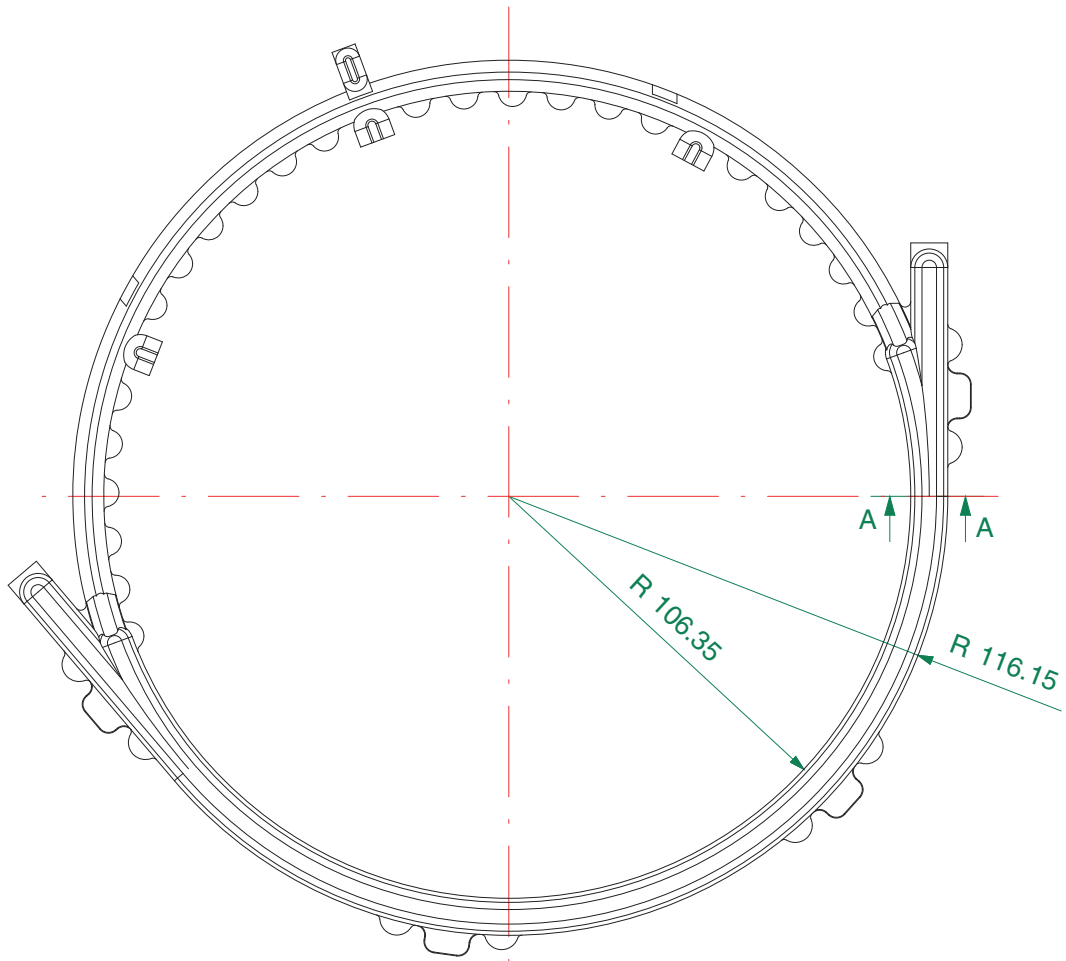
## EXCHANGERS

## ECHANGEURS

## WÄRMEAUSTAUSCHER

## INTERCAMBIADORES

Pos	Orobica Code	Model	Brand	Gasket Type	Q.ty
-	900.0499	LR9GN	APV	PORT RING C FOR LR9GN MULTIPIECE	-



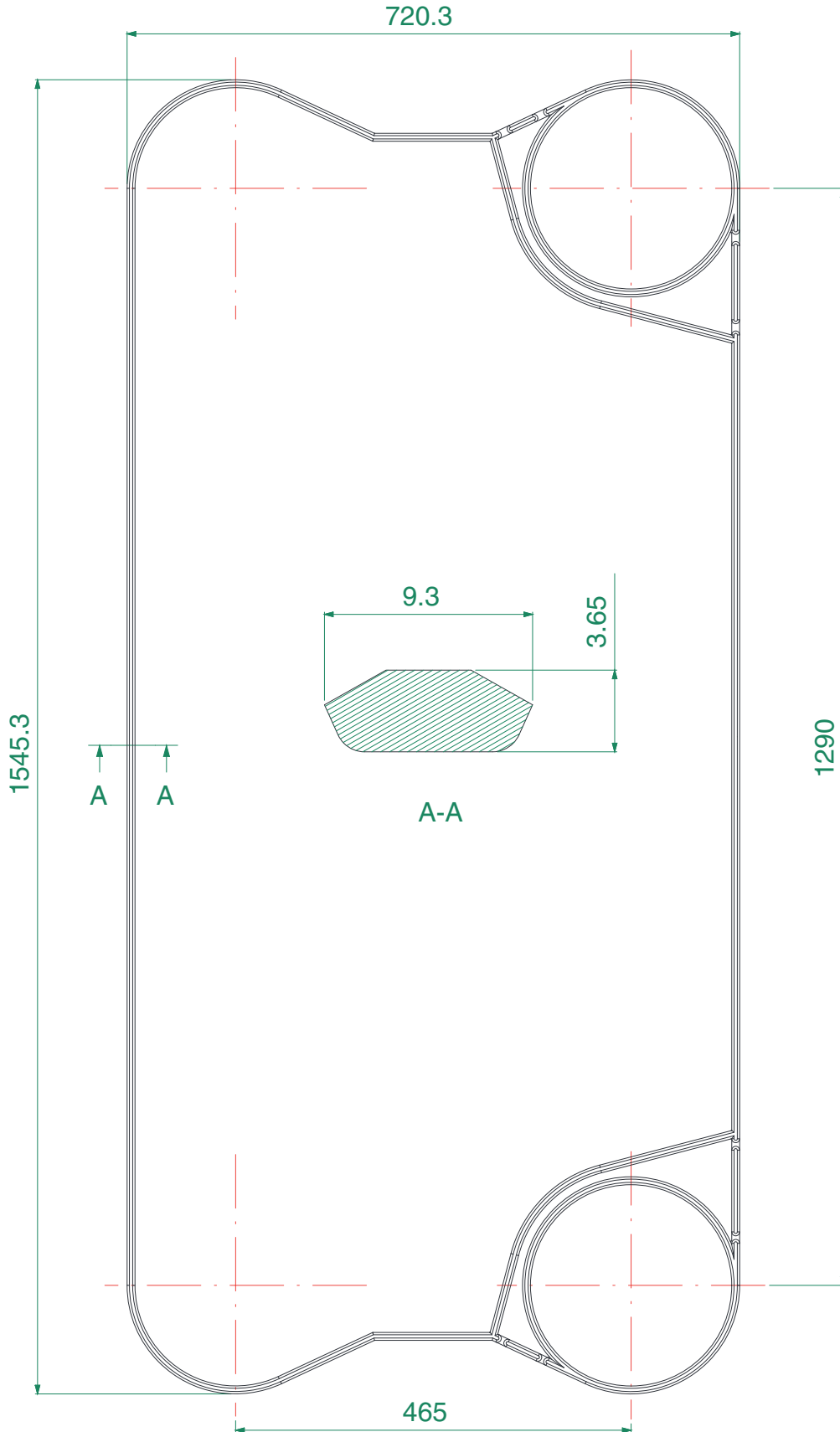
EXCHANGERS

ECHANGEURS

WÄRMEAUSTAUSCHER

INTERCAMBIADORES

Pos	Orobica Code	Model	Brand	Gasket Type	Q.ty
-	900.0427	M92	APV	STUCK-IN FLOWPLATE GASKET	-



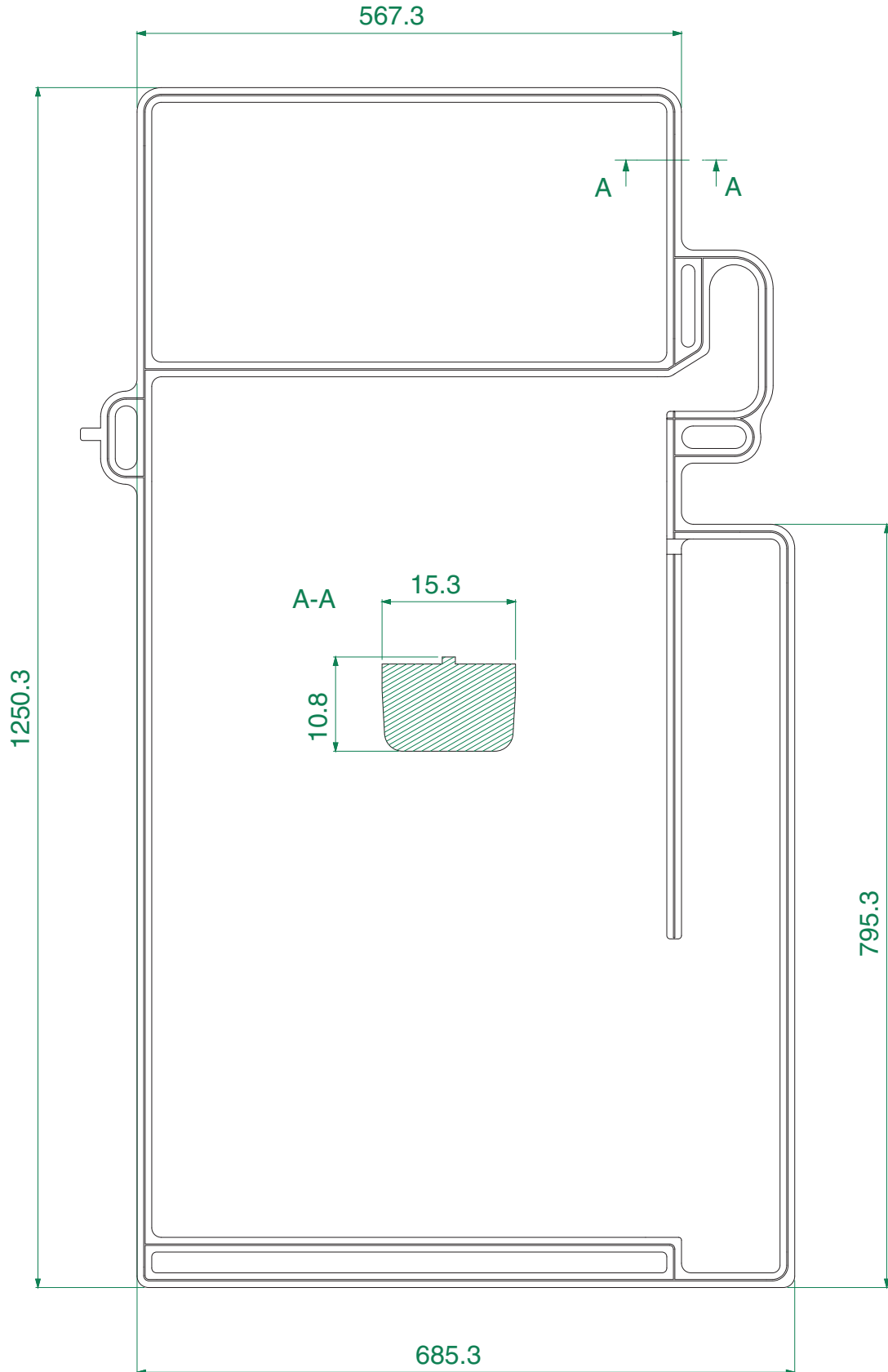
EXCHANGERS

ECHANGEURS

WÄRMEAUSTAUSCHER

INTERCAMBIADORES

Pos	Orobica Code	Model	Brand	Gasket Type	Q.ty
-	900.0267	MKIII	APV	MKIII A-C GASKET	-



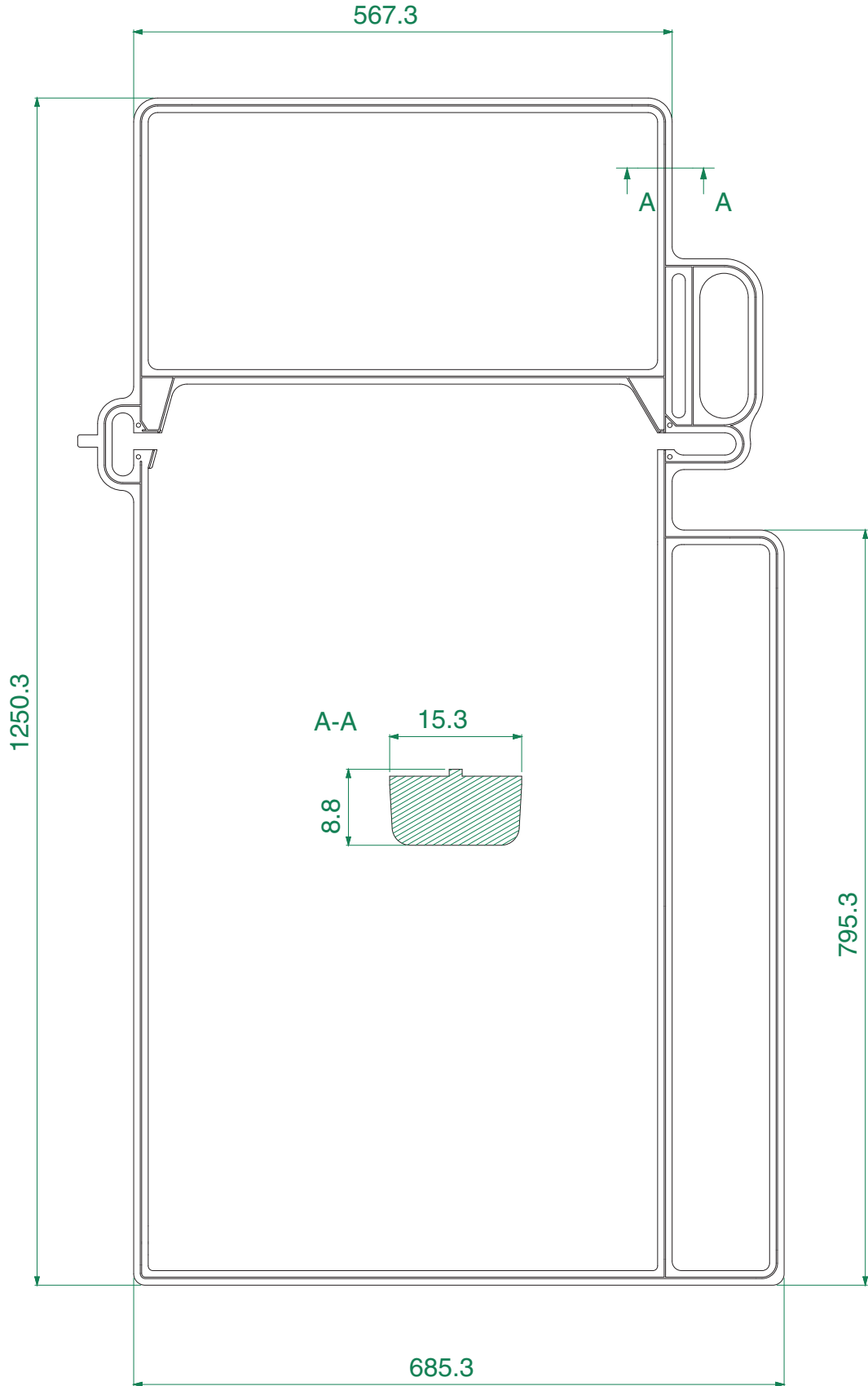
EXCHANGERS

ECHANGEURS

WÄRMEAUSTAUSCHER

INTERCAMBIADORES

Pos	Orobica Code	Model	Brand	Gasket Type	Q.ty
-	900.0268	MKIII	APV	MKIII B GASKET	-



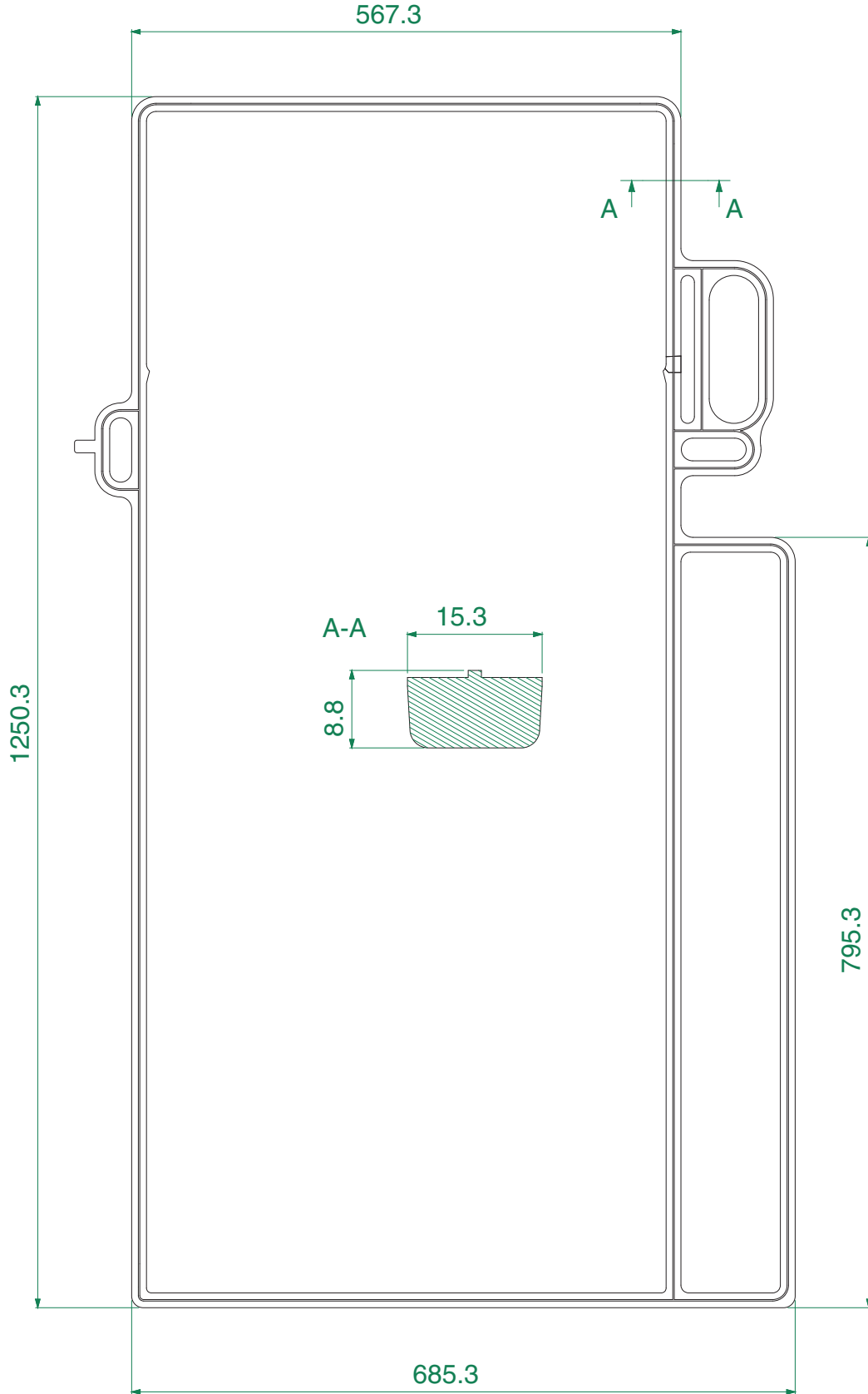
EXCHANGERS

ECHANGEURS

WÄRMEAUSTAUSCHER

INTERCAMBIADORES

Pos	Orobica Code	Model	Brand	Gasket Type	Q.ty
-	900.0269	MKIII	APV	MKIII D GASKET	-



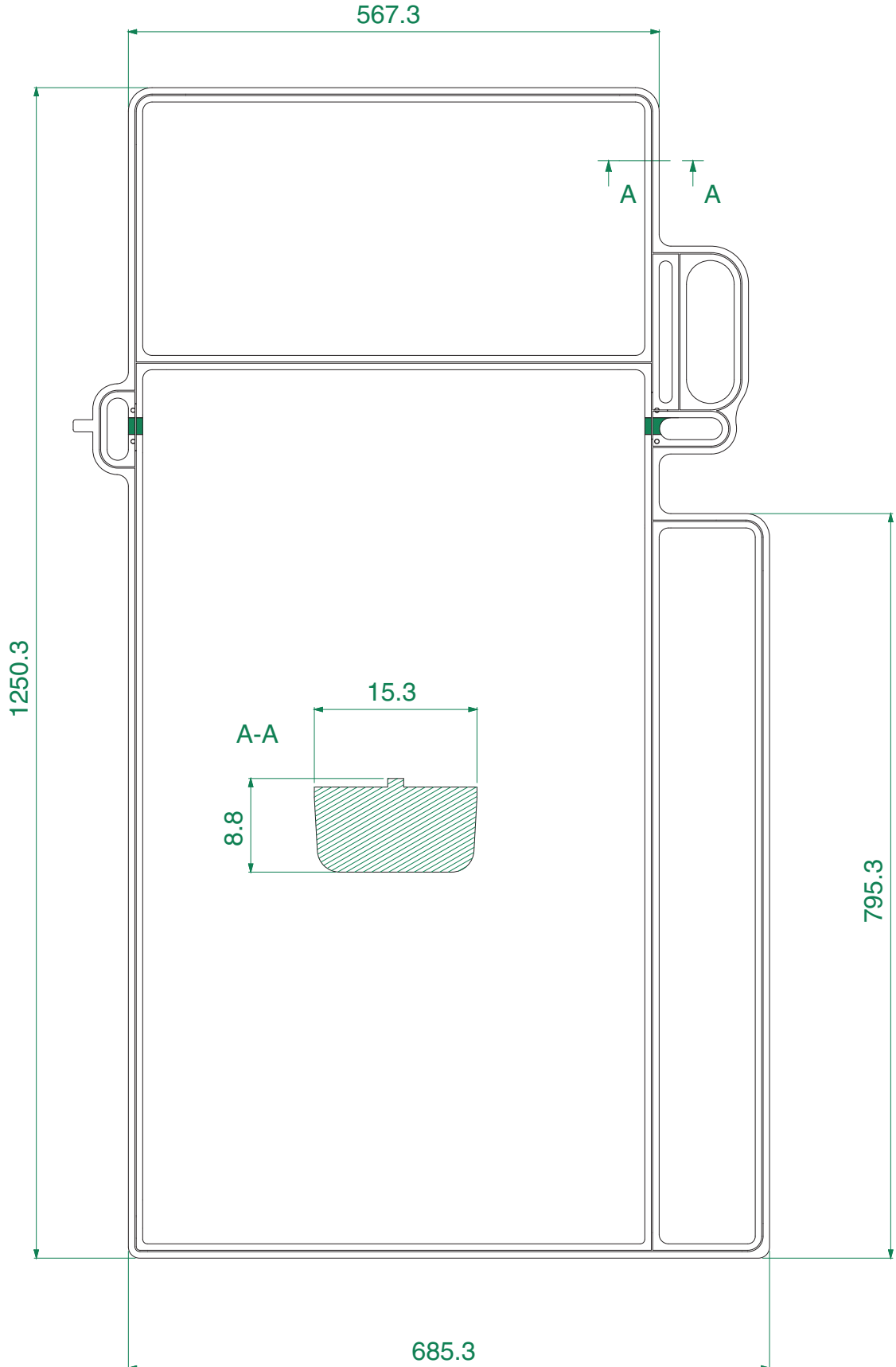
EXCHANGERS

ECHANGEURS

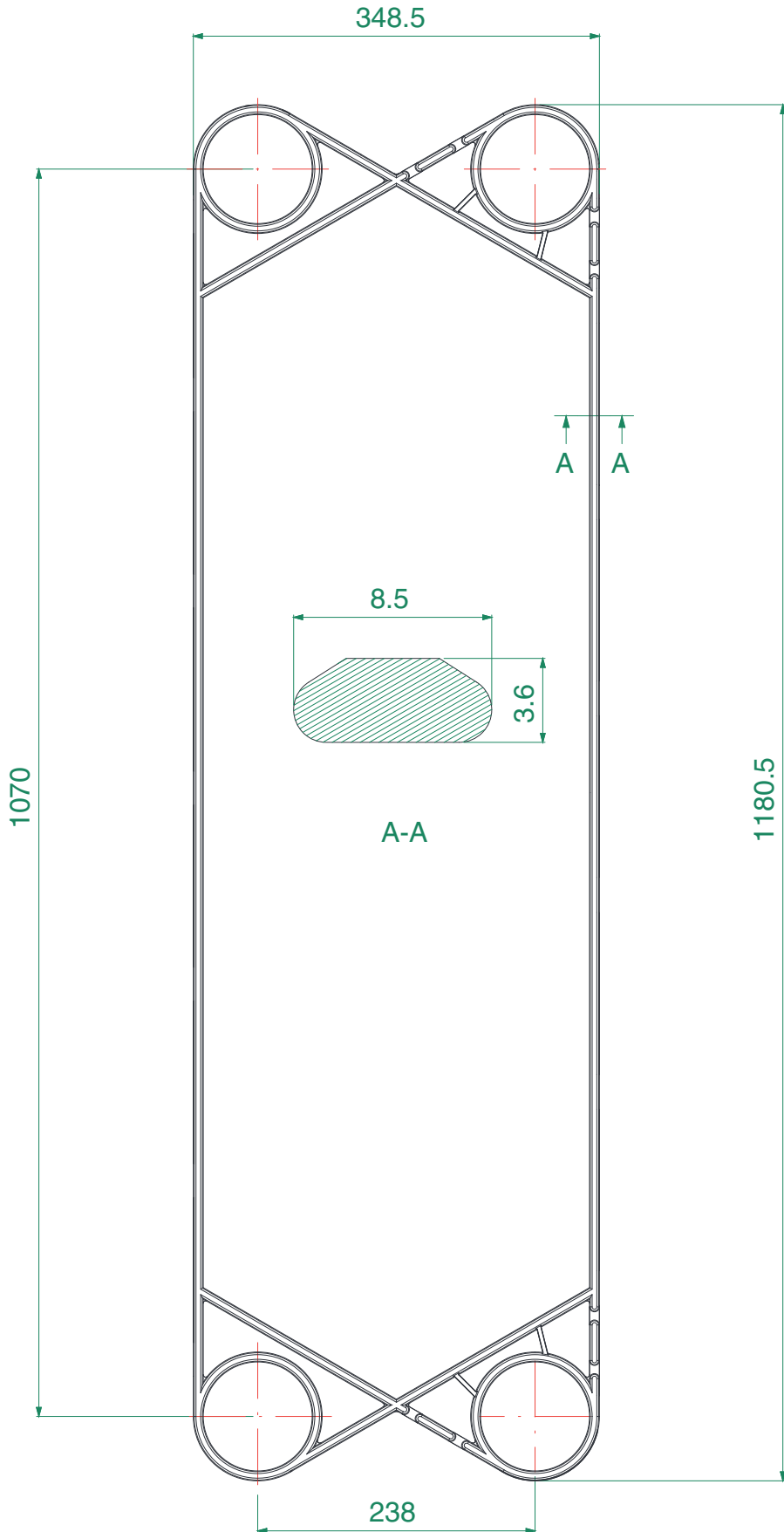
WÄRMEAUSTAUSCHER

INTERCAMBIADORES

Pos	Orobica Code	Model	Brand	Gasket Type	Q.ty
-	900.0452	MKIII H	APV	MKIII GASKET "H"	-



Pos	Orobica Code	Model	Brand	Gasket Type	Q.ty
-	900.0148	N35	APV	GLUED ENDPLATE GASKET	-



WE OBTAINED THE GASKET CUTTING  
THE CLIPS FROM THE GASKET CODE 900.0534



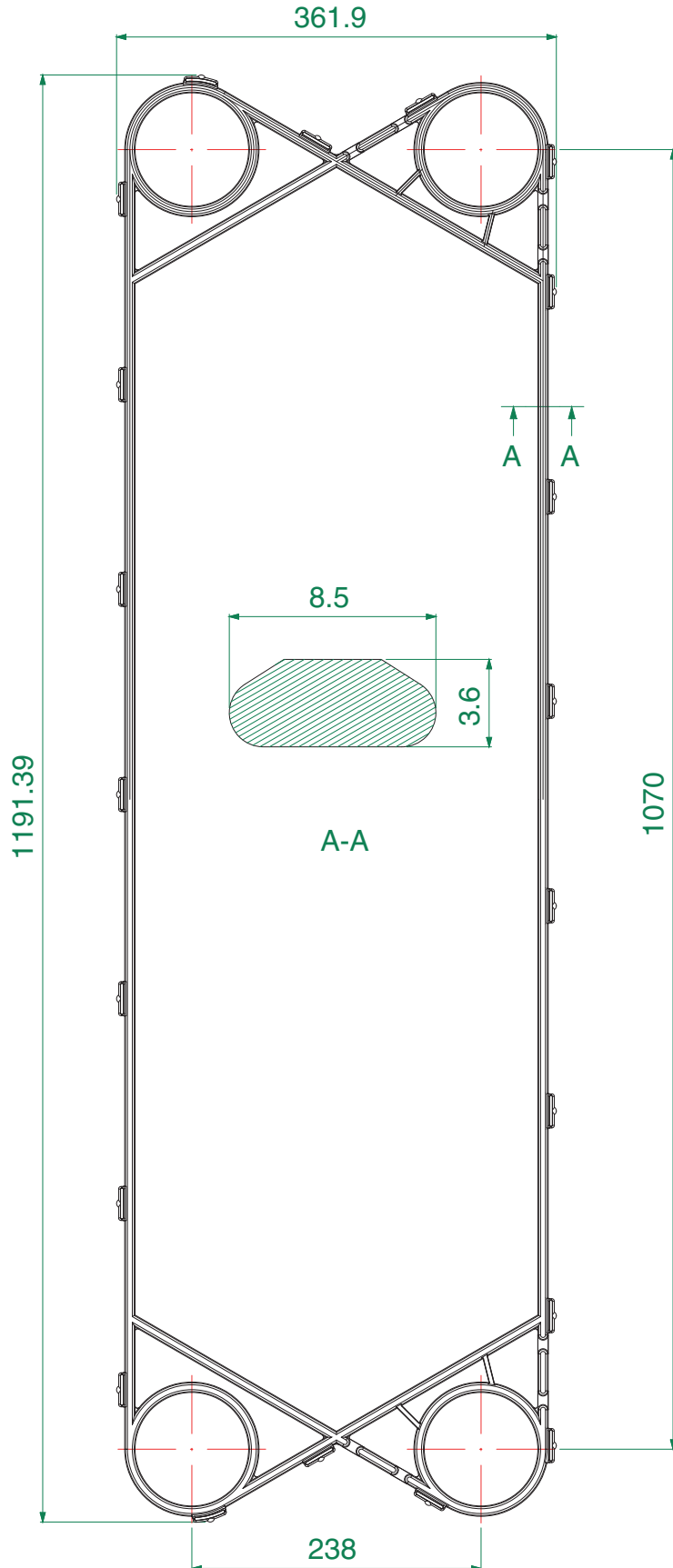
EXCHANGERS

ECHANGEURS

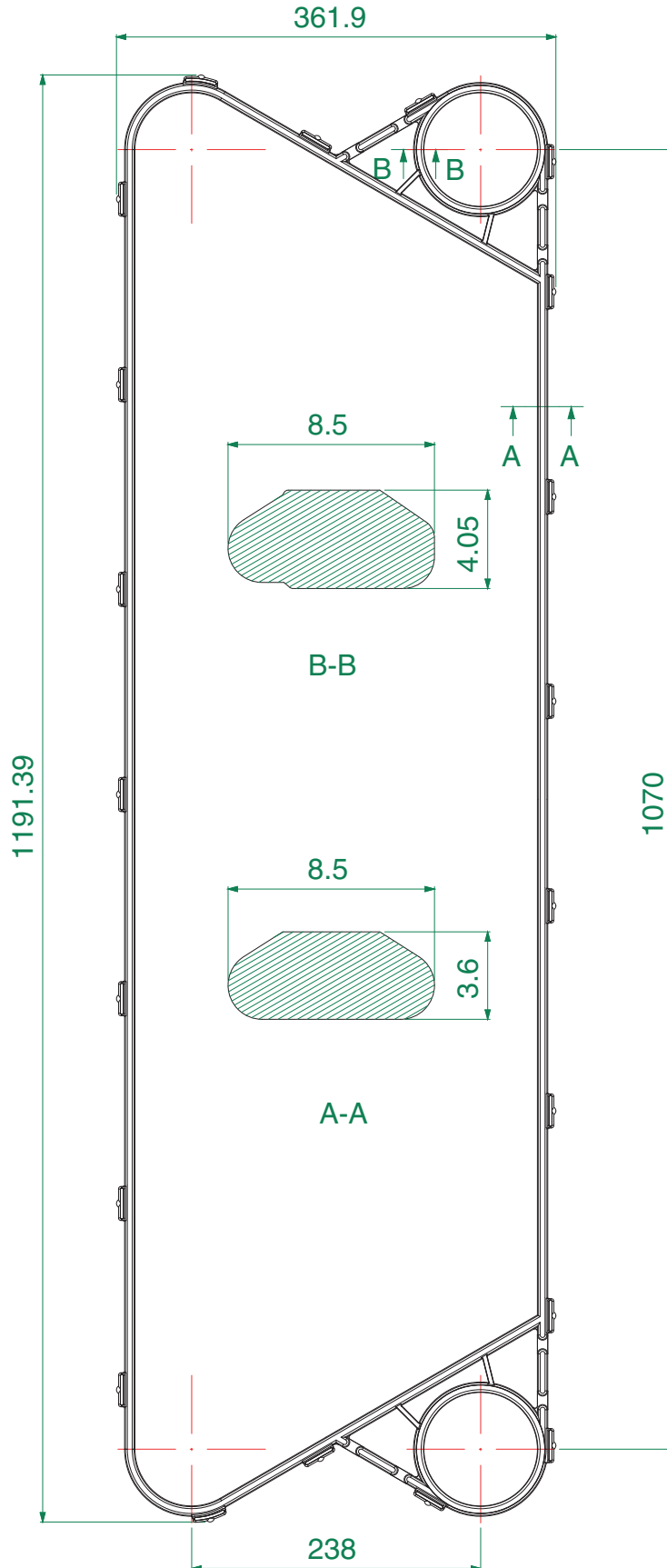
WÄRMEAUSTAUSCHER

INTERCAMBIADORES

Pos	Orobica Code	Model	Brand	Gasket Type	Q.ty
-	900.0534	N35	APV	PARACLIP ENDPLATE GASKET	-



Pos	Orobica Code	Model	Brand	Gasket Type	Q.ty
-	900.0562	N35	APV	DUOSAFETY FLOWPLATE GASKET	-



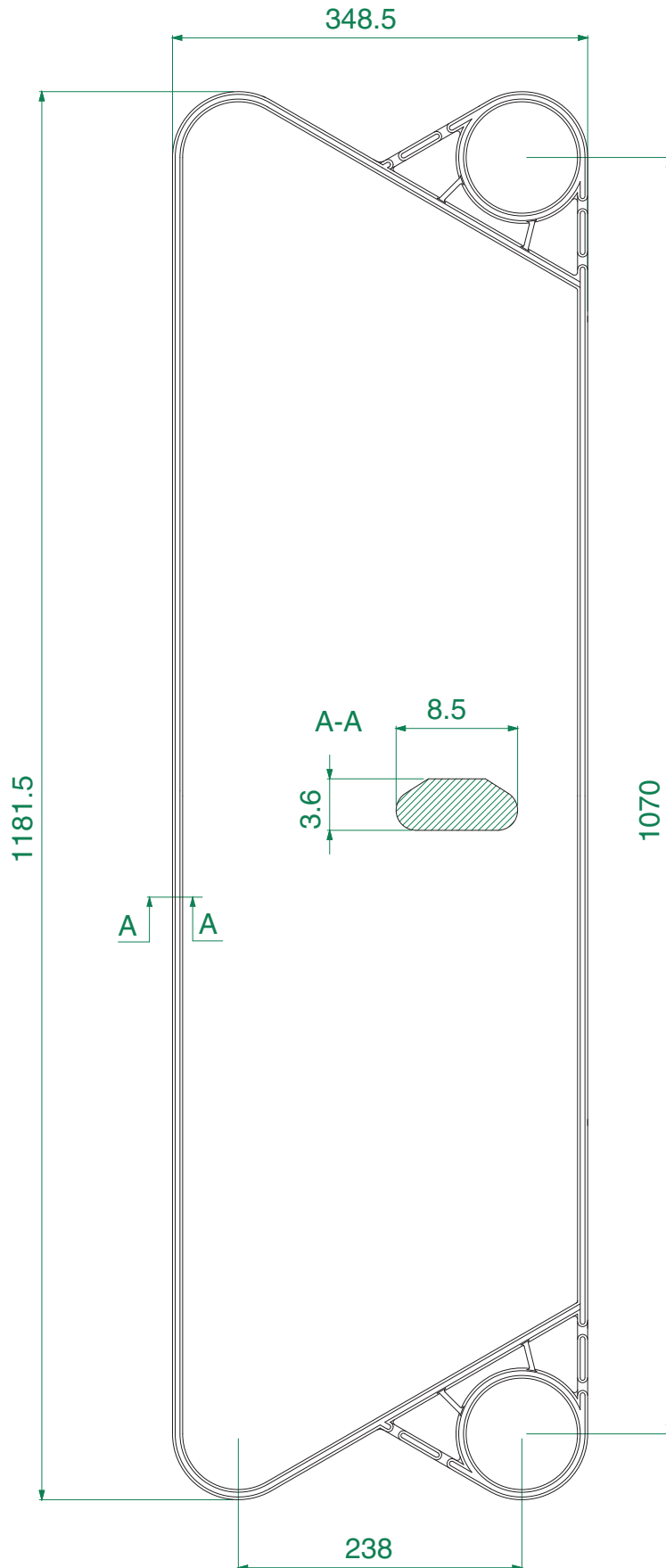
EXCHANGERS

ECHANGEURS

WÄRMEAUSTAUSCHER

INTERCAMBIADORES

Pos	Orobica Code	Model	Brand	Gasket Type	Q.ty
-	900.0228	N35	APV	GLUED FLOWPLATE GASKET	-



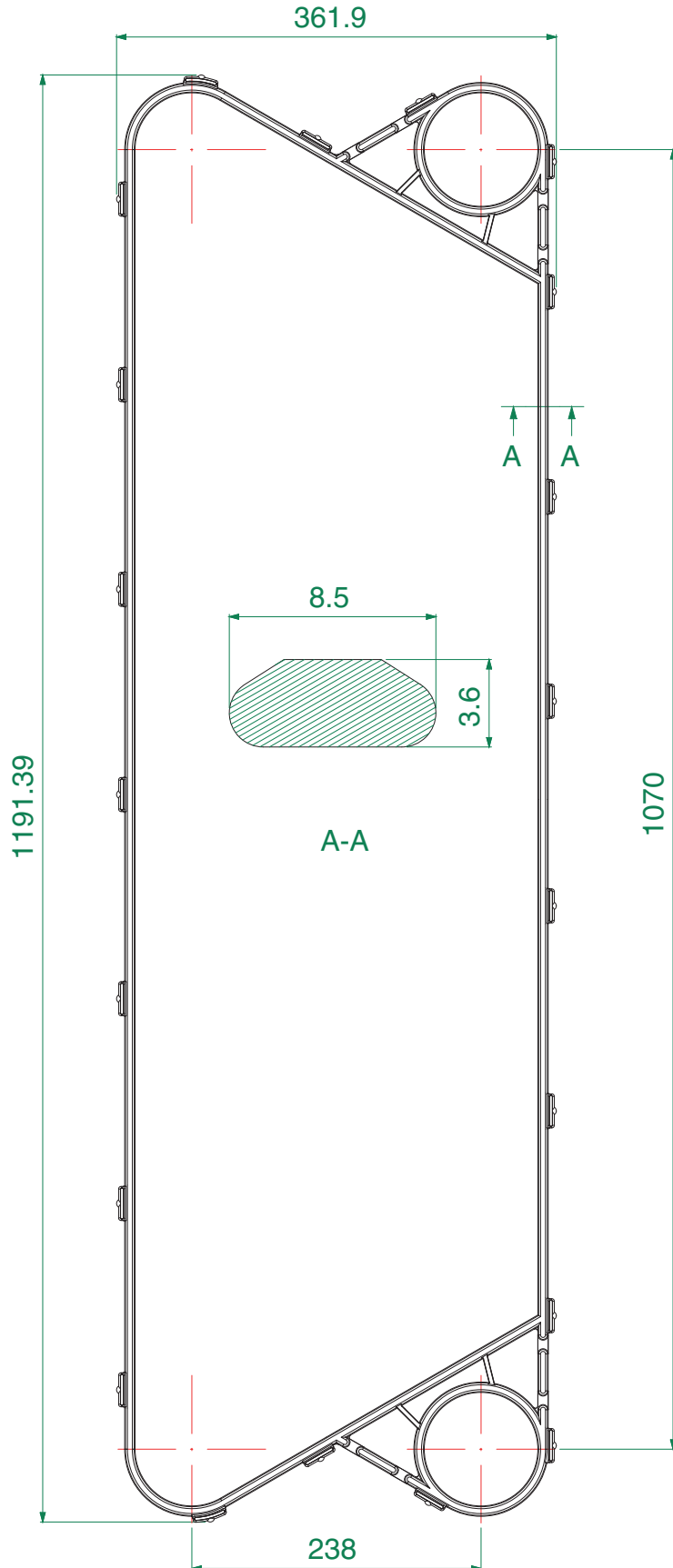
EXCHANGERS

ECHANGEURS

WÄRMEAUSTAUSCHER

INTERCAMBIADORES

Pos	Orobica Code	Model	Brand	Gasket Type	Q.ty
-	900.0034	N35	APV	PARACLIP FLOWPLATE GASKET	-



EXCHANGERS

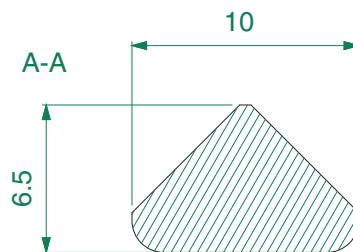
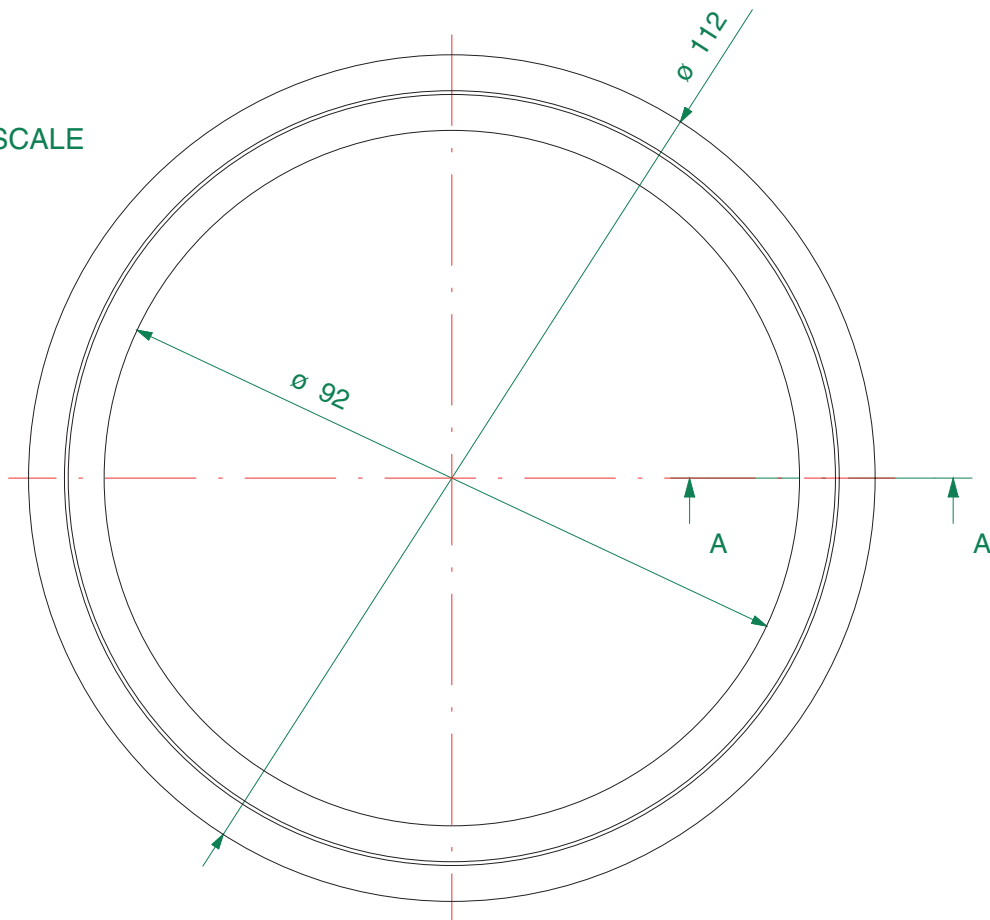
ECHANGEURS

WÄRMEAUSTAUSCHER

INTERCAMBIADORES

Pos	Orobica Code	Model	Brand	Gasket Type	Q.ty
-	900.0059	N35	APV	PORT RING GASKET H=6,5	-

1:1 SCALE



EXCHANGERS

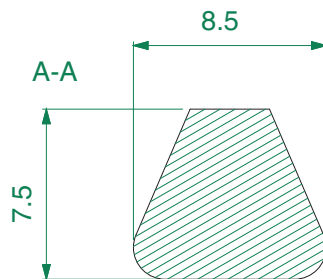
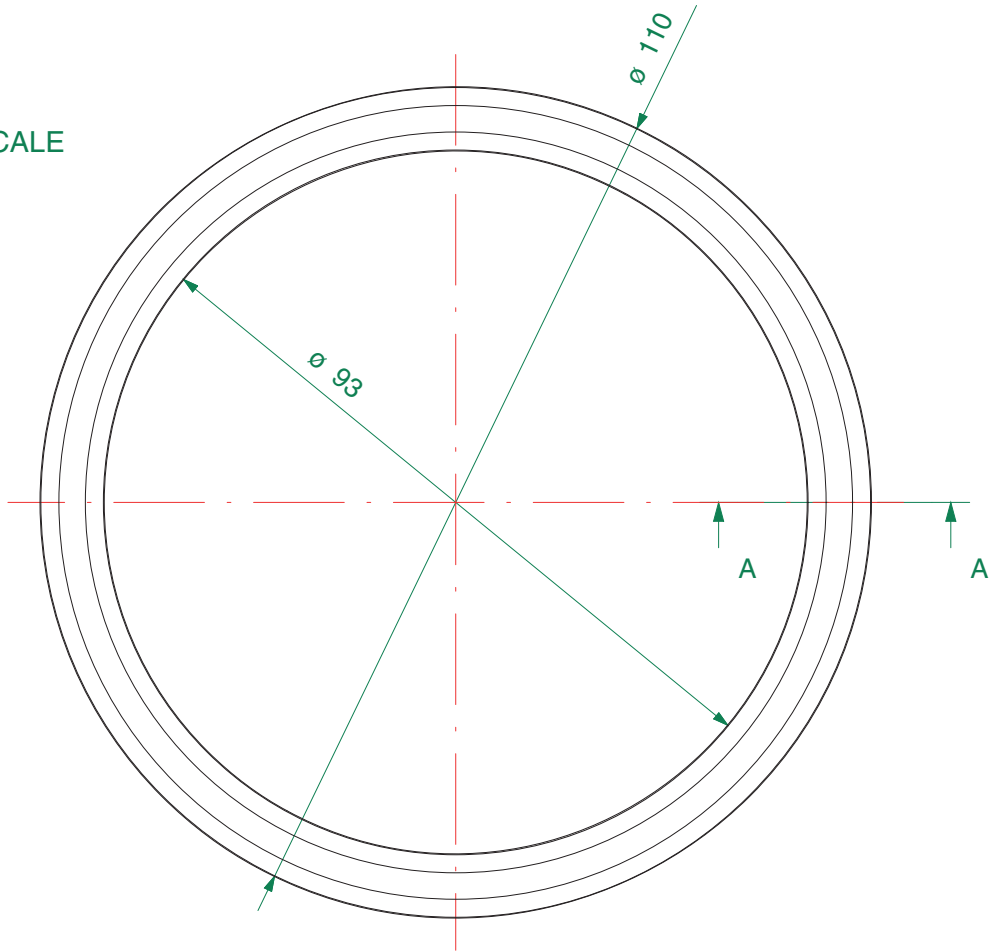
ECHANGEURS

WÄRMEAUSTAUSCHER

INTERCAMBIADORES

Pos	Orobica Code	Model	Brand	Gasket Type	Q.ty
-	900.0057	N35	APV	HIGH PORT RING GASKET	-

1:1 SCALE



EXCHANGERS

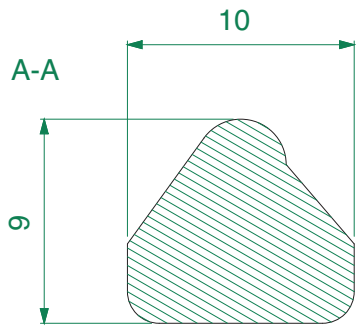
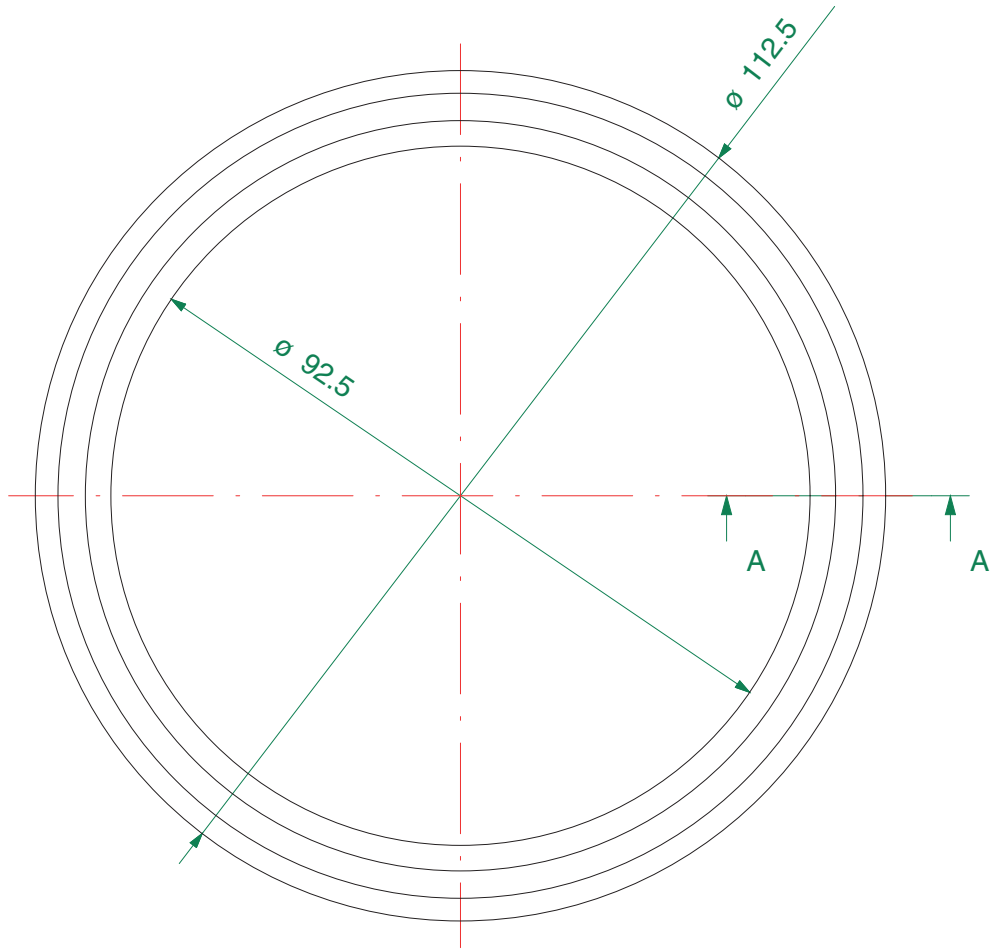
ECHANGEURS

WÄRMEAUSTAUSCHER

INTERCAMBIADORES

Pos	Orobica Code	Model	Brand	Gasket Type	Q.ty
-	900.0058	N35	APV	PORT RING GASKET H=9	-

1:1 SCALE



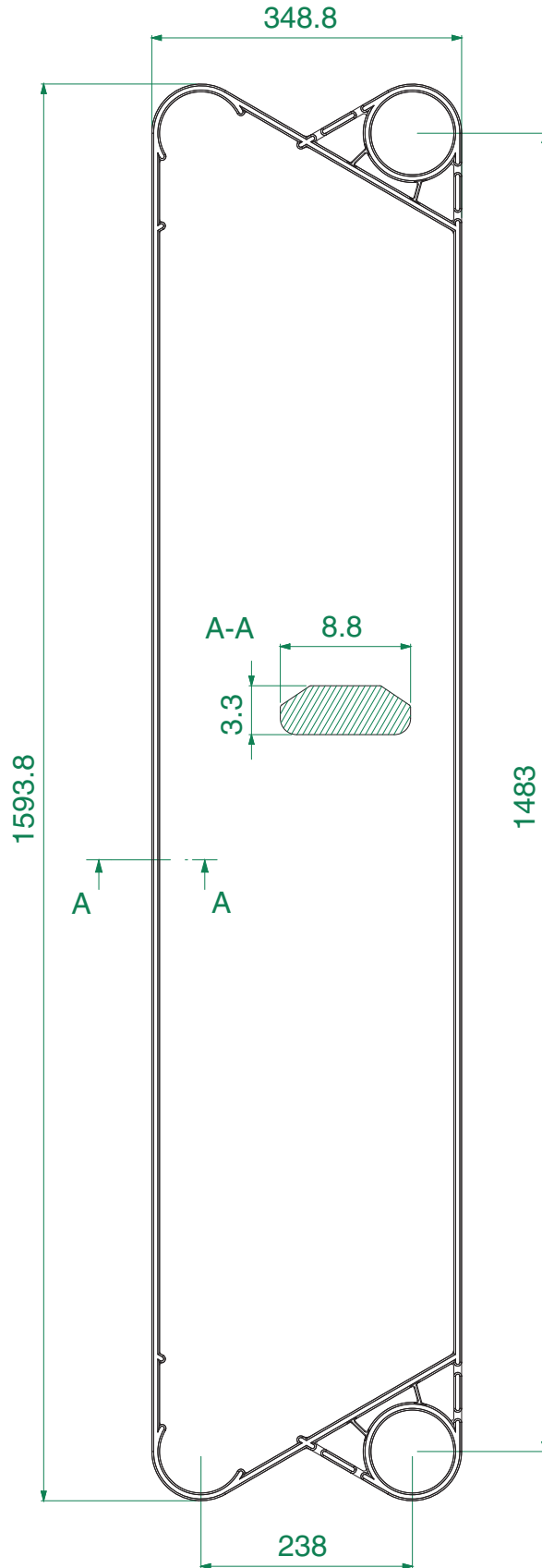
EXCHANGERS

ECHANGEURS

WÄRMEAUSTAUSCHER

INTERCAMBIADORES

Pos	Orobica Code	Model	Brand	Gasket Type	Q.ty
-	900.0458	N50	APV	STUCK IN GLUED FLOW PLATE GASKET	-





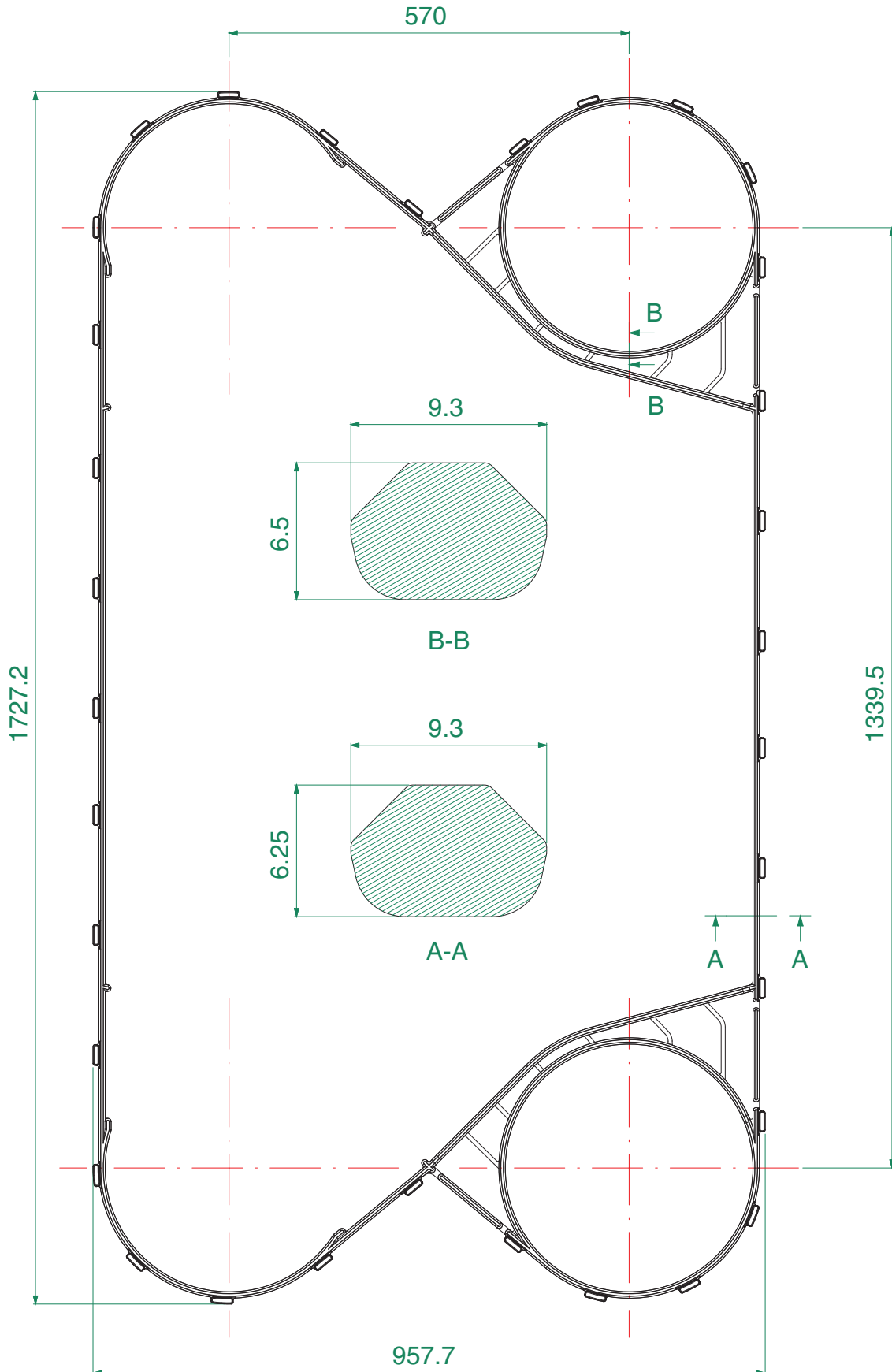
EXCHANGERS

ECHANGEURS

WÄRMEAUSTAUSCHER

INTERCAMBIADORES

Pos	Orobica Code	Model	Brand	Gasket Type	Q.ty
-	900_0631	P 105	APV	FLOW PARACLIP GASKET	-



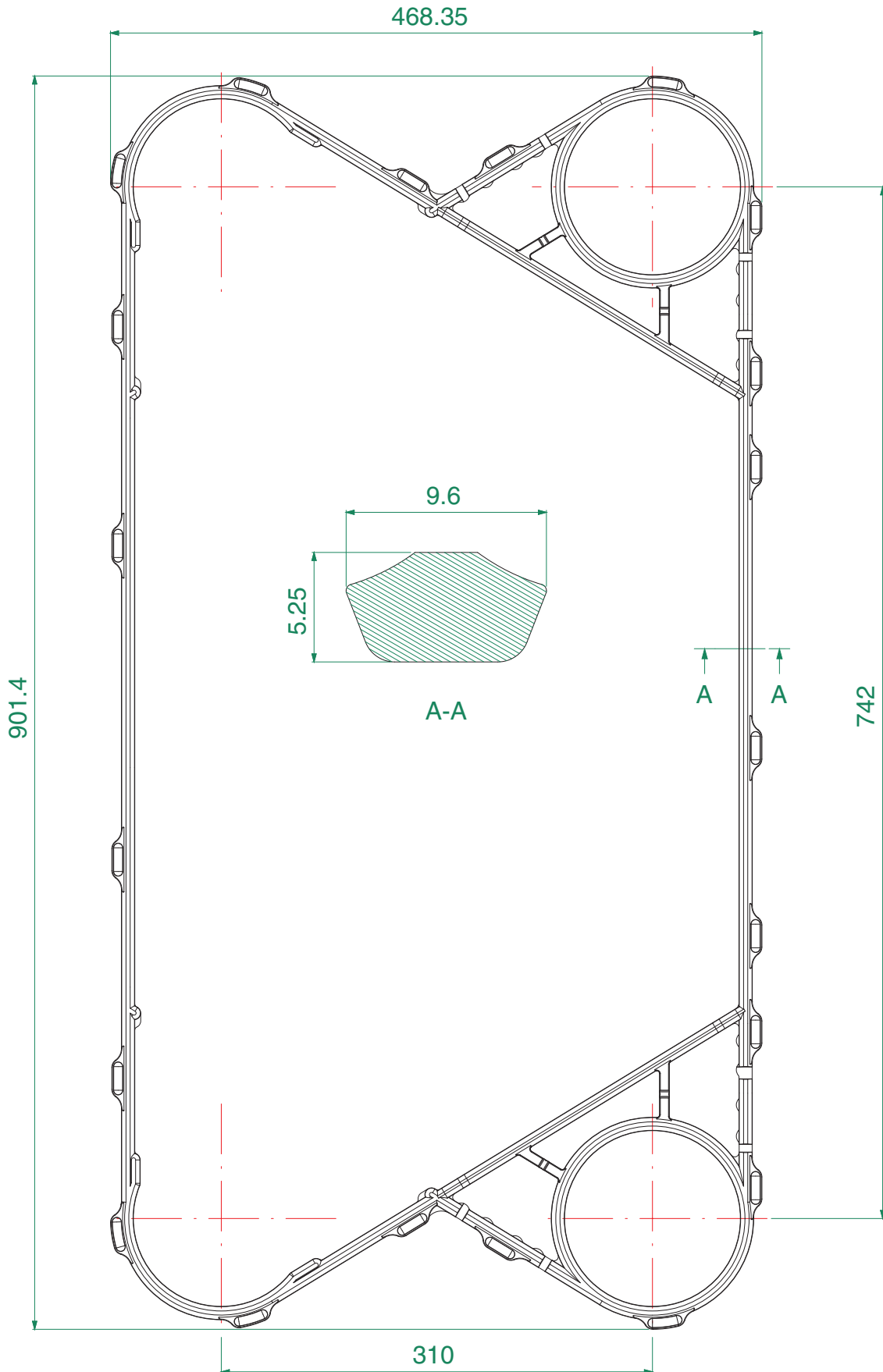
EXCHANGERS

ECHANGEURS

WÄRMEAUSTAUSCHER

INTERCAMBIADORES

Pos	Orobica Code	Model	Brand	Gasket Type	Q.ty
-	900.0603	Q030	APV	DURAFLOW PARACLIP FLOWPLATE GASKET	-



SCAMBIATORI

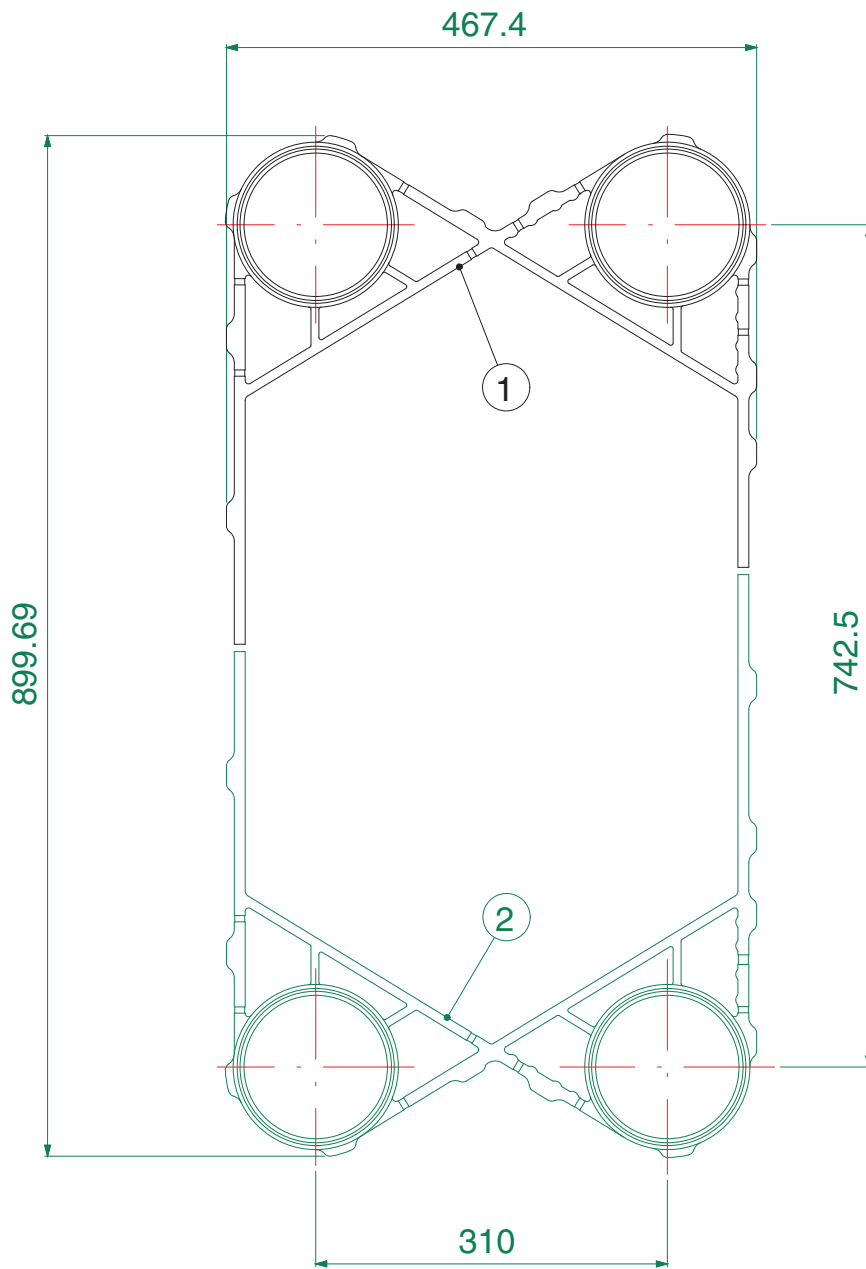
EXCHANGERS

ECHANGEURS

WÄRMEAUSTAUSCHER

INTERCAMBIADORES

Pos	Orobica Code	Model	Brand	Gasket Type	Q.ty
1/2	900.0563	Q030	APV	END SET Q030 DURAFLOW	1
1	900.05371	Q030/055/080	APV	TEST. SUPERIORE SERIE Q DURAFLOW	1
2	900.05372	Q030/055/080	APV	TEST. INFERIORE SERIE Q DURAFLOW	1



# SCAMBIATORI

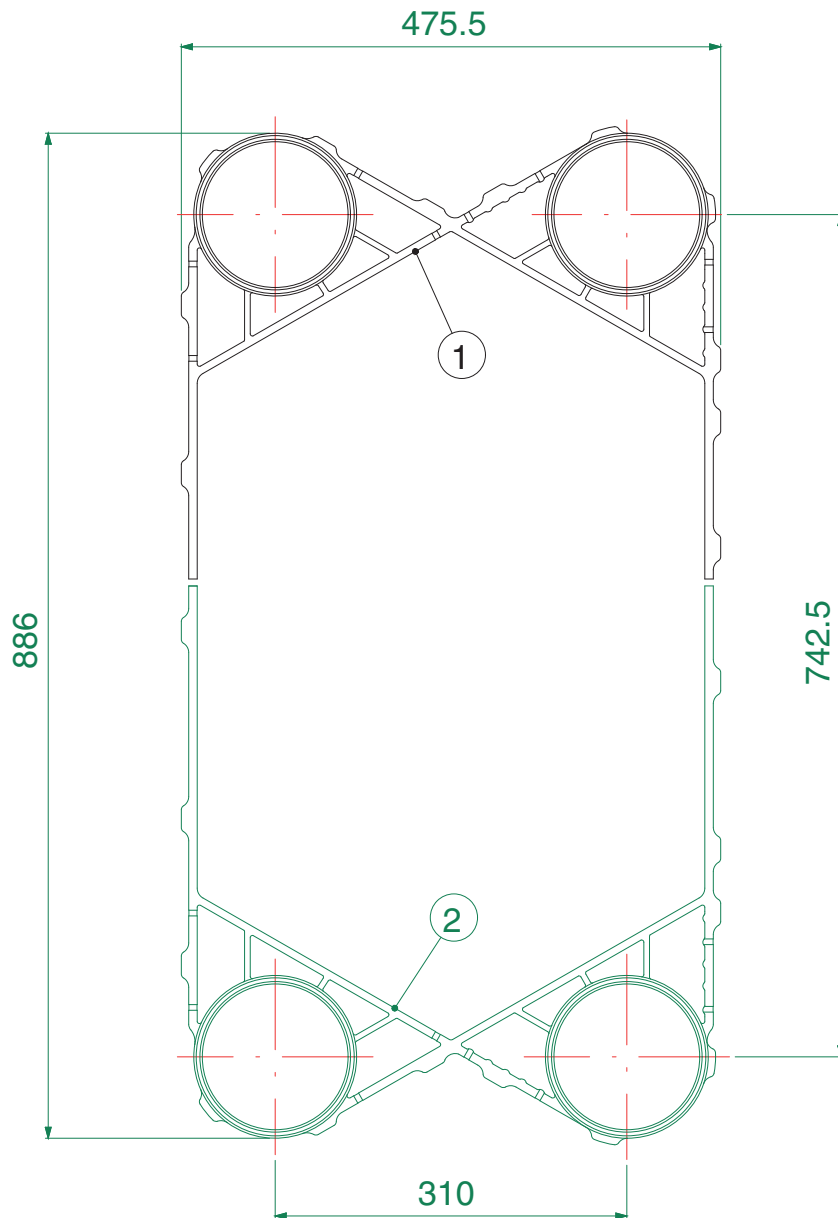
EXCHANGERS

ECHANGEURS

WÄRMEAUSTAUSCHER

INTERCAMBIADORES

Pos	Orobica Code	Model	Brand	Gasket Type	Q.ty
1/4	900.0565	Q030	APV	END SET Q030 ENERGYSAVER	1
1	900.04841	Q030/055/080	APV	TEST. SUPERIORE SERIE Q ENERGYSAVER	1
2	900.04842	Q030/055/080	APV	TEST. INFERIORE SERIE Q ENERGYSAVER	1



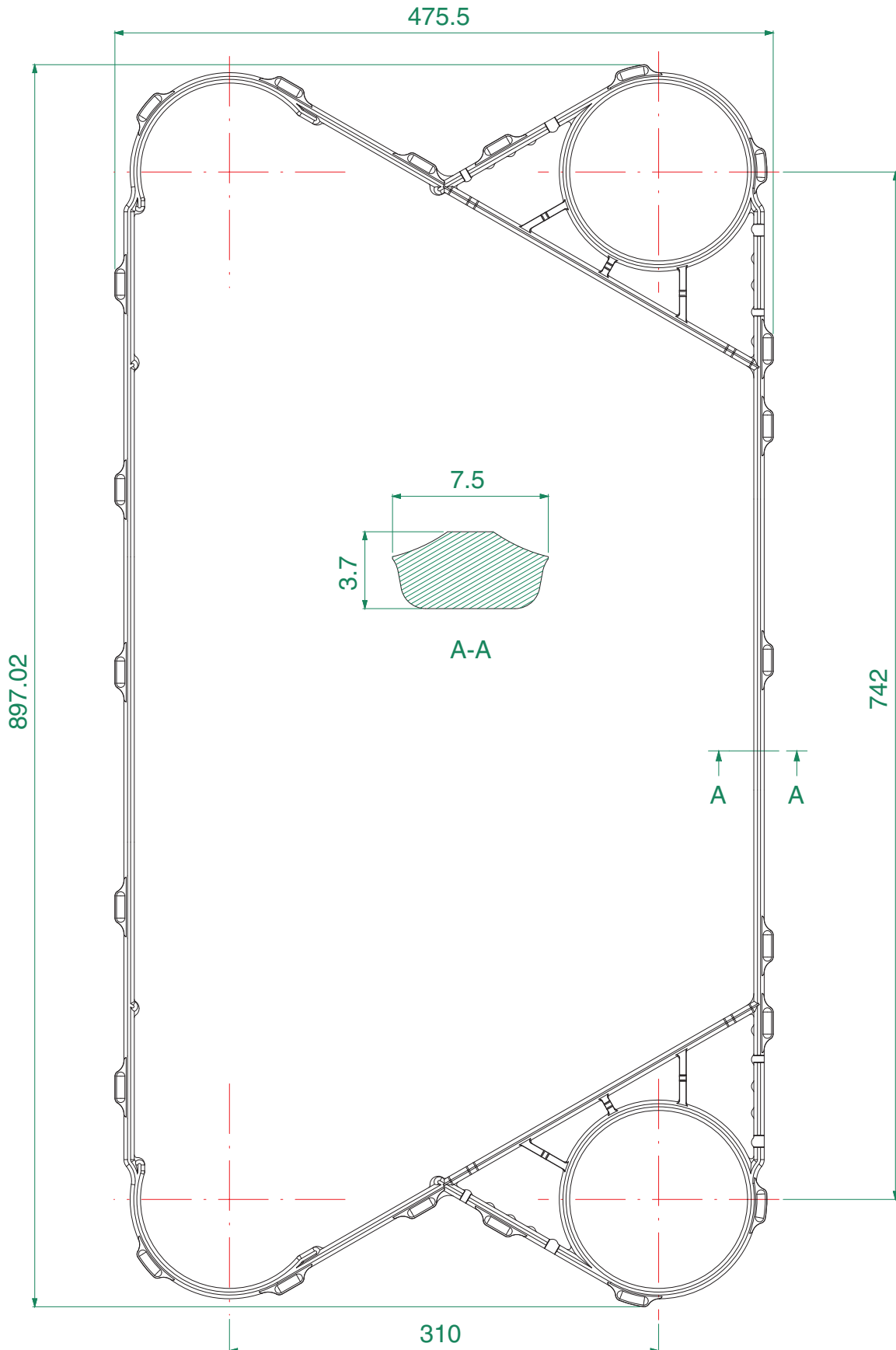
EXCHANGERS

ECHANGEURS

WÄRMEAUSTAUSCHER

INTERCAMBIADORES

Pos	Orobica Code	Model	Brand	Gasket Type	Q.ty
-	900.0602	Q030	APV	ENERGYSAVER PARACLIP FLOWPLATE GASKET	-



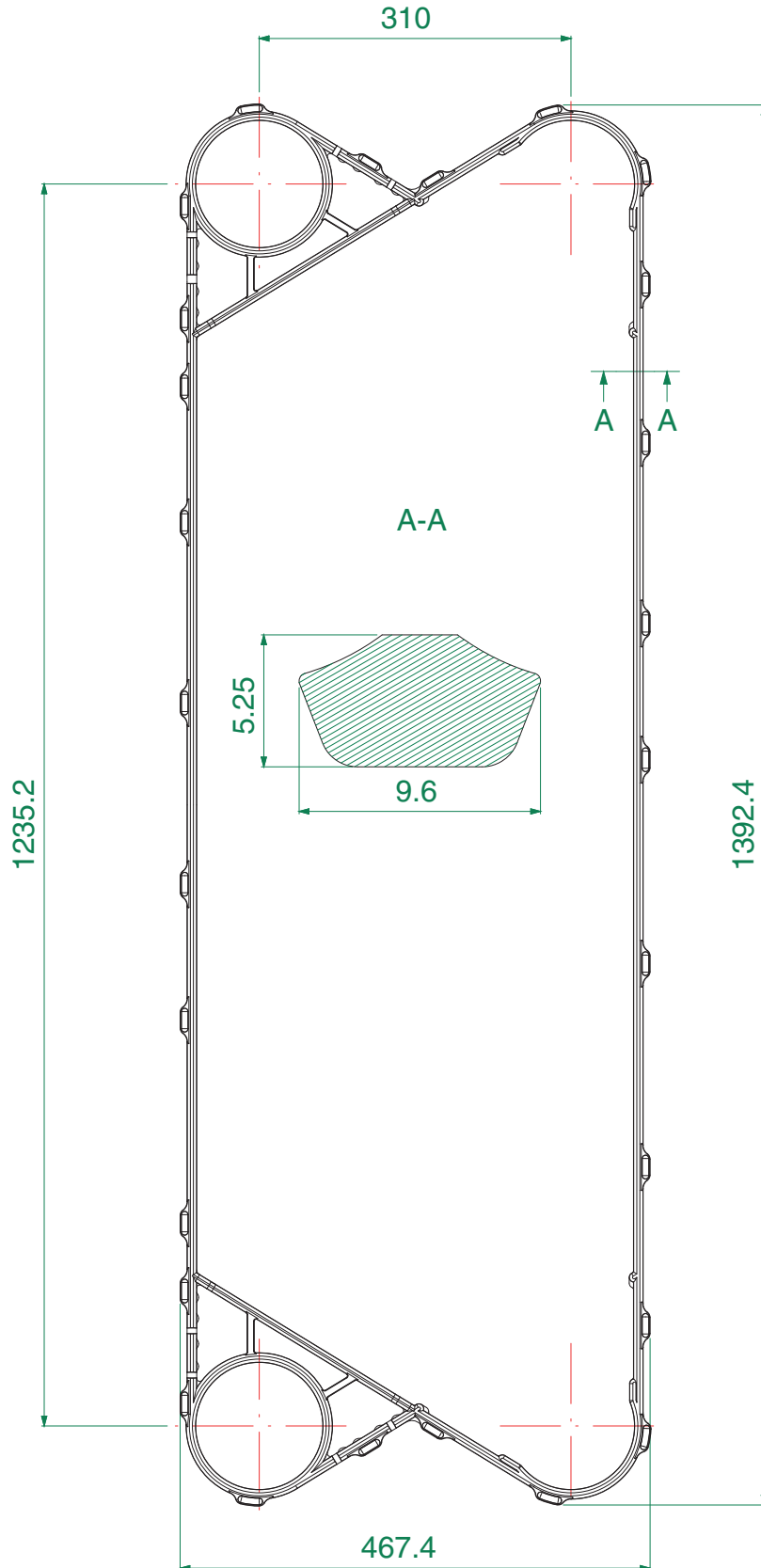
EXCHANGERS

ECHANGEURS

WÄRMEAUSTAUSCHER

INTERCAMBIADORES

Pos	Orobica Code	Model	Brand	Gasket Type	Q.ty
-	900.0536	Q055	APV	DURAFLOW PARACLIP FLOWPLATE GASKET	-



# SCAMBIATORI

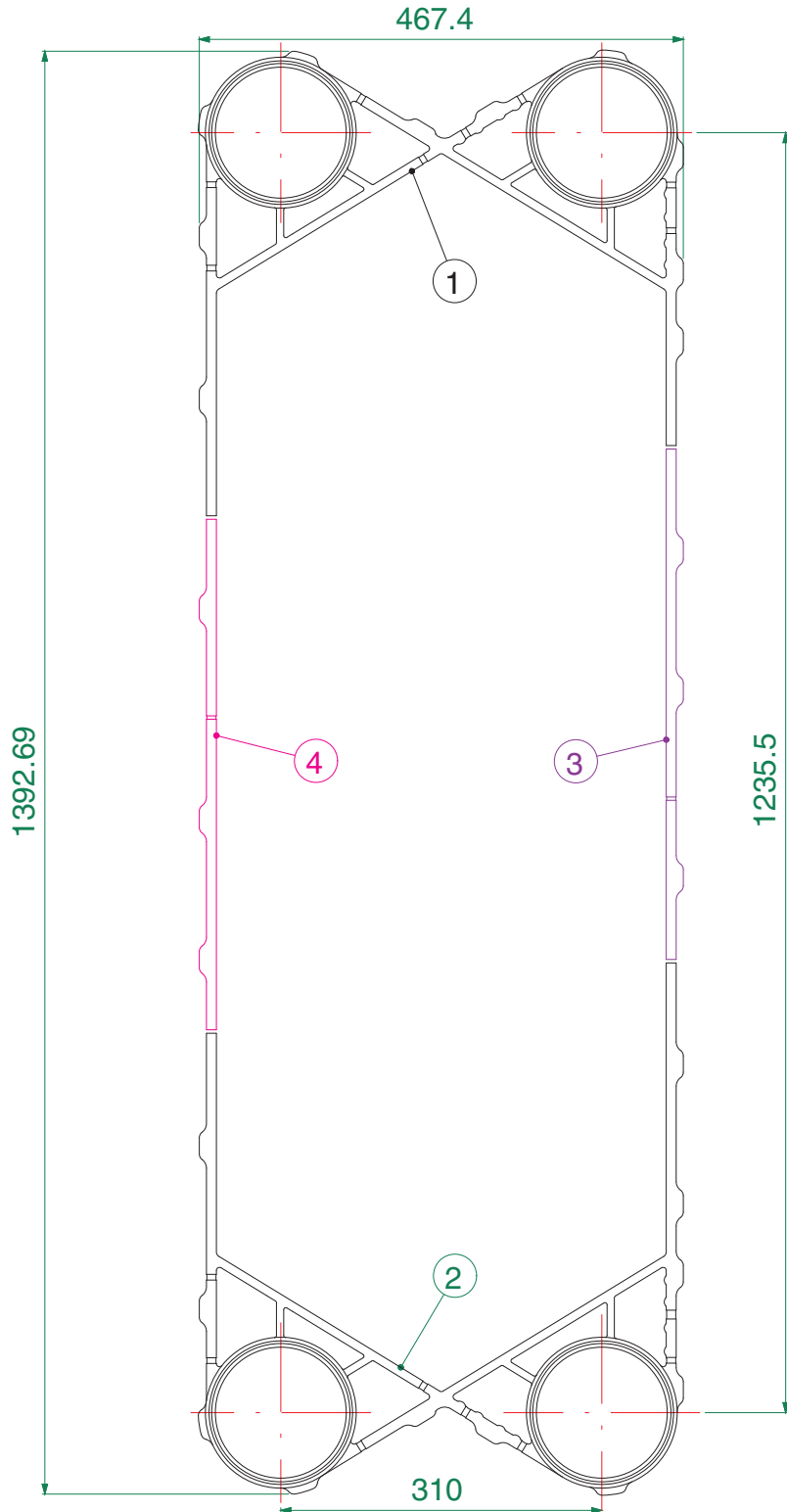
EXCHANGERS

ECHANGEURS

WÄRMEAUSTAUSCHER

INTERCAMBIADORES

Pos	Orobica Code	Model	Brand	Gasket Type	Q.ty
1/4	900.0537	Q055	APV	END SET Q055 DURAFLOW	1
1	900.05371	Q030/055/080	APV	TEST. SUPERIORE SERIE Q DURAFLOW	1
2	900.05372	Q030/055/080	APV	TEST. INFERIORE SERIE Q DURAFLOW	1
3	900.05373	Q055/080	APV	CONNECTION RH Q055/080 DURAFLOW	1
4	900.05374	Q055/080	APV	CONNECTION LH Q055/080 DURAFLOW	1



SCAMBIATORI

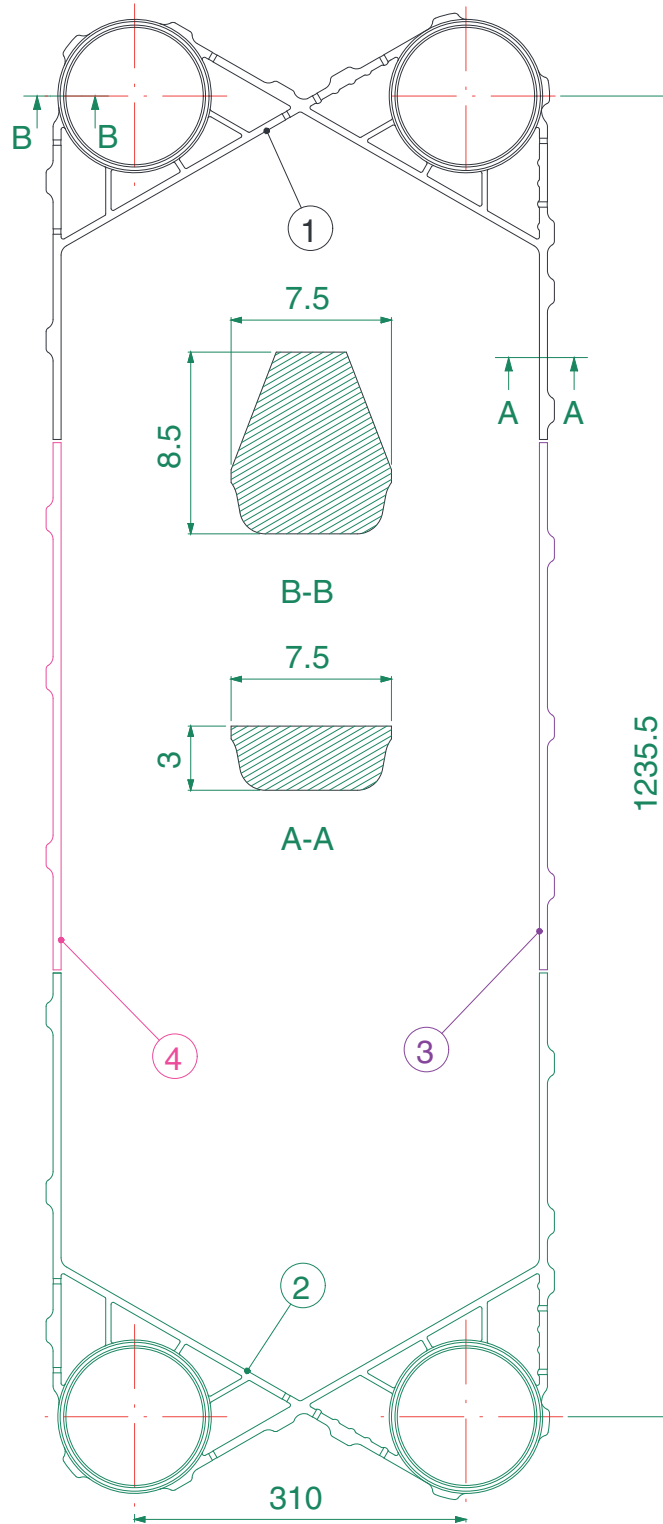
EXCHANGERS

ECHANGEURS

WÄRMEAUSTAUSCHER

INTERCAMBIADORES

Pos	Orobica Code	Model	Brand	Gasket Type	Q.ty
1/4	900.0484	Q055	APV	END SET Q055 ENERGYSAVER	1
1	900.04841	Q030/055/080	APV	TEST. SUPERIORE SERIE Q ENERGYSAVER	1
2	900.04842	Q030/055/080	APV	TEST. INFERIORE SERIE Q ENERGYSAVER	1
3	900.04843	Q055	APV	CONNECTION RH Q055 ENERGYSAVER	1
4	900.04844	Q055	APV	CONNECTION LH Q055 ENERGYSAVER	1





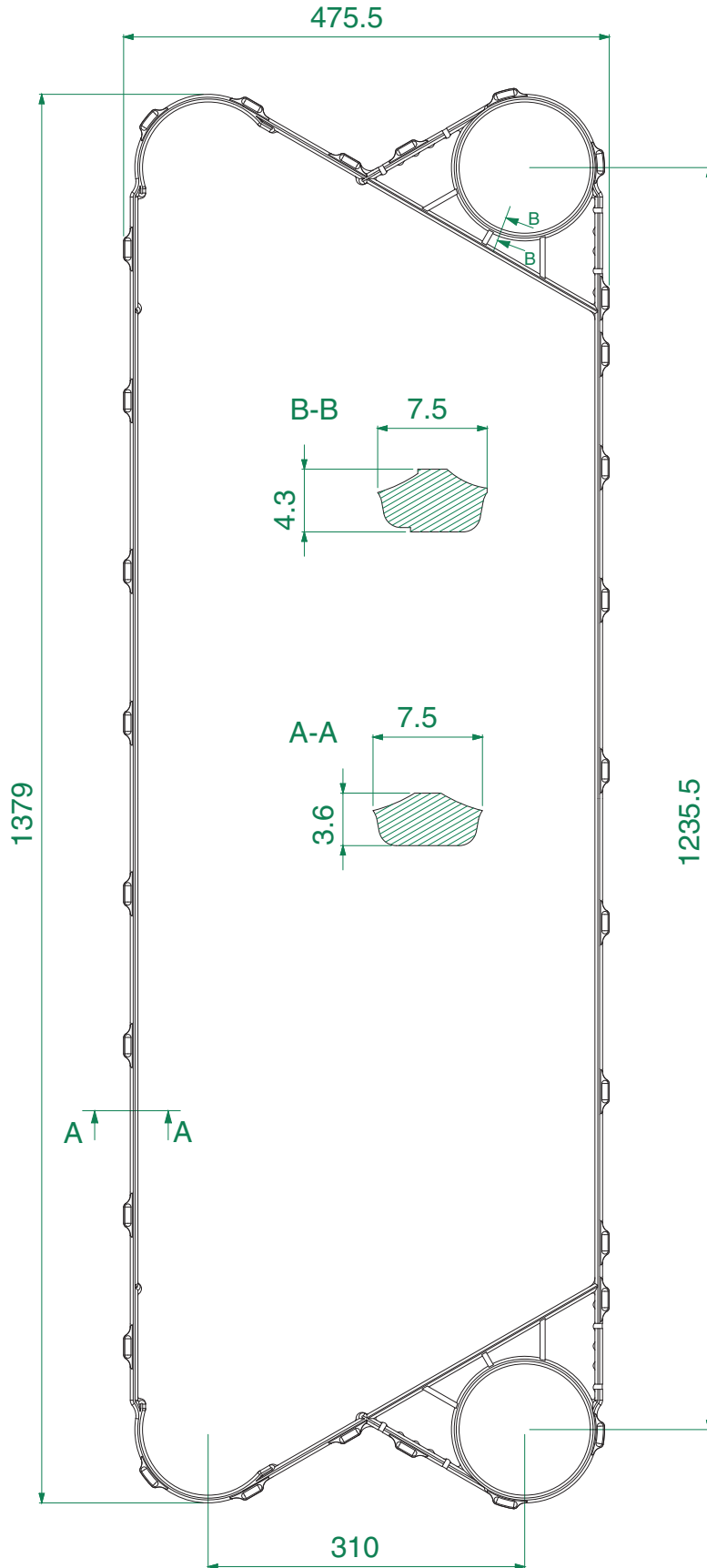
EXCHANGERS

ECHANGEURS

WÄRMEAUSTAUSCHER

INTERCAMBIADORES

Pos	Orobica Code	Model	Brand	Gasket Type	Q.ty
-	900.0334	Q055	APV	ENERGYSAVER PARACLIP FLOWPLATE GASKET	-



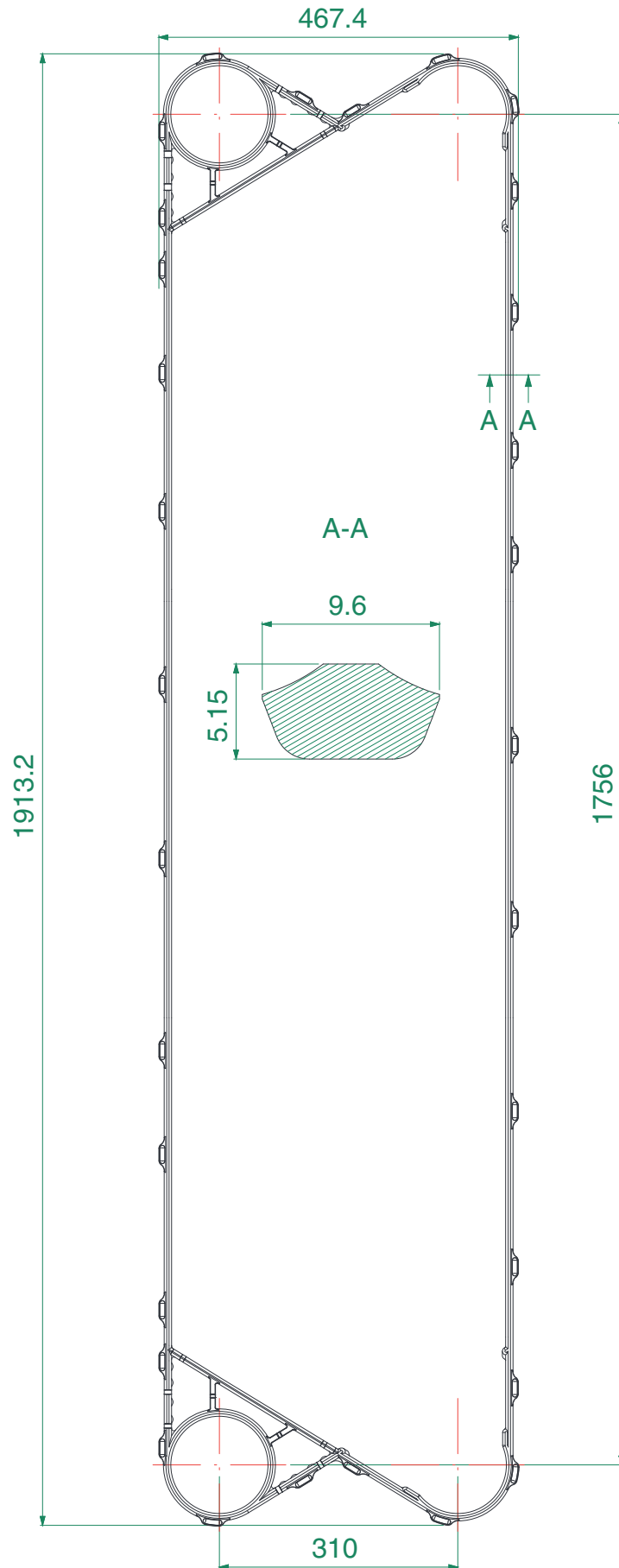
EXCHANGERS

ECHANGEURS

WÄRMEAUSTAUSCHER

INTERCAMBIADORES

Pos	Orobica Code	Model	Brand	Gasket Type	Q.ty
-	900.0582	Q080	APV	DURAFLOW PARACLIP FLOWPLATE GASKET	-



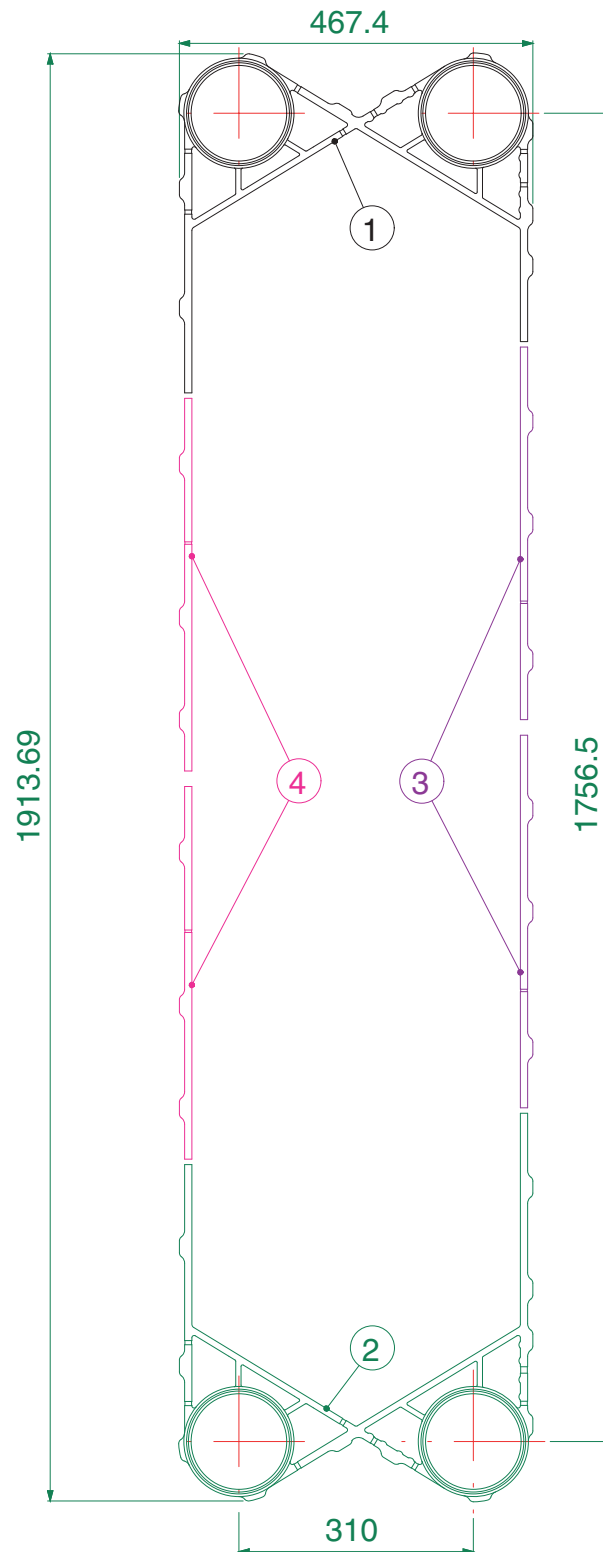
## EXCHANGERS

## ECHANGEURS

## WÄRMEAUSTAUSCHER

## INTERCAMBIADORES

Pos	Orobica Code	Model	Brand	Gasket Type	Q.ty
1/4	900.0564	Q080	APV	END SET Q080 DURAFLOW	1
1	900.05371	Q030/055/080	APV	TEST. SUPERIORE SERIE Q DURAFLOW	1
2	900.05372	Q030/055/080	APV	TEST. INFERIORE SERIE Q DURAFLOW	1
3	900.05373	Q055/080	APV	CONNECTION RH Q055/080 DURAFLOW	2
4	900.05374	Q055/080	APV	CONNECTION LH Q055/080 DURAFLOW	2



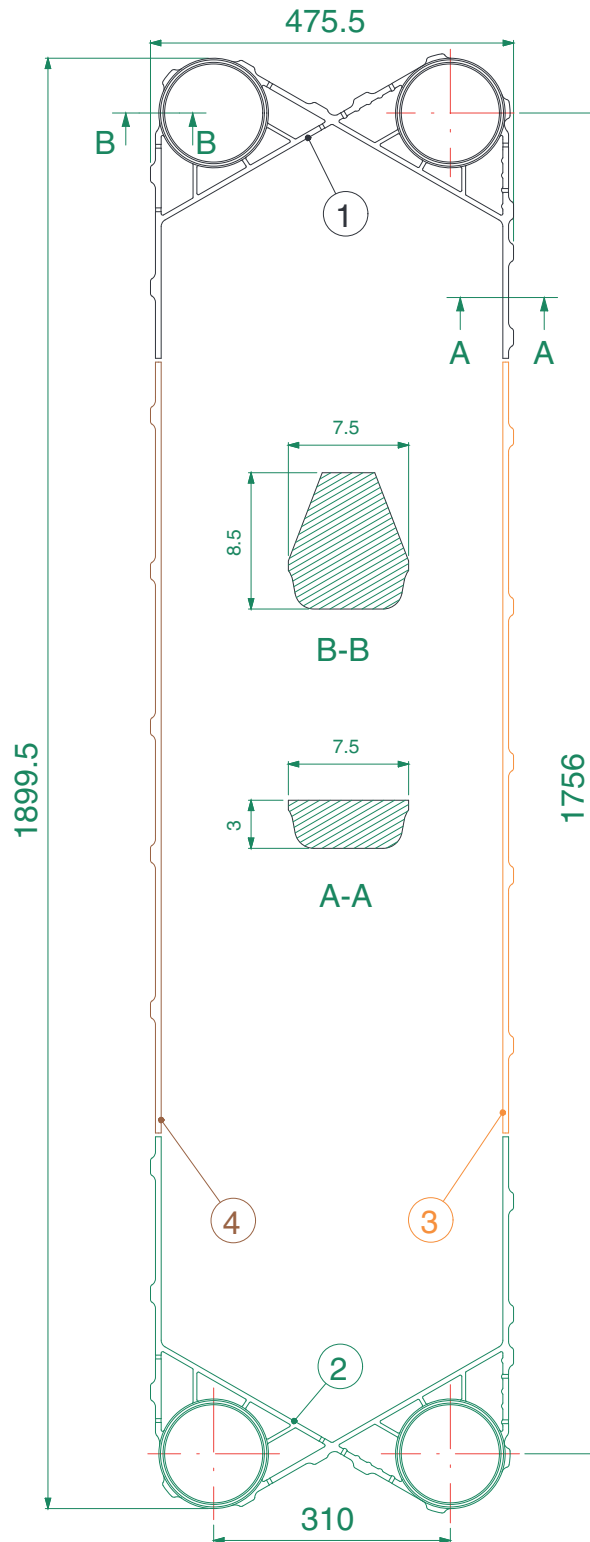
EXCHANGERS

ECHANGEURS

WÄRMEAUSTAUSCHER

INTERCAMBIADORES

Pos	Orobica Code	Model	Brand	Gasket Type	Q.ty
1/4	900.0566	Q080	APV	END SET Q080 ENERGYSAVER	1
1	900.04841	Q030/055/080	APV	TEST. SUPERIORE SERIE Q ENERGYSAVER	1
2	900.04842	Q030/055/080	APV	TEST. INFERIORE SERIE Q ENERGYSAVER	1
3	900.04845	Q080	APV	CONNECTION RH Q080 ENERGYSAVER	1
4	900.04846	Q080	APV	CONNECTION LH Q080 ENERGYSAVER	1



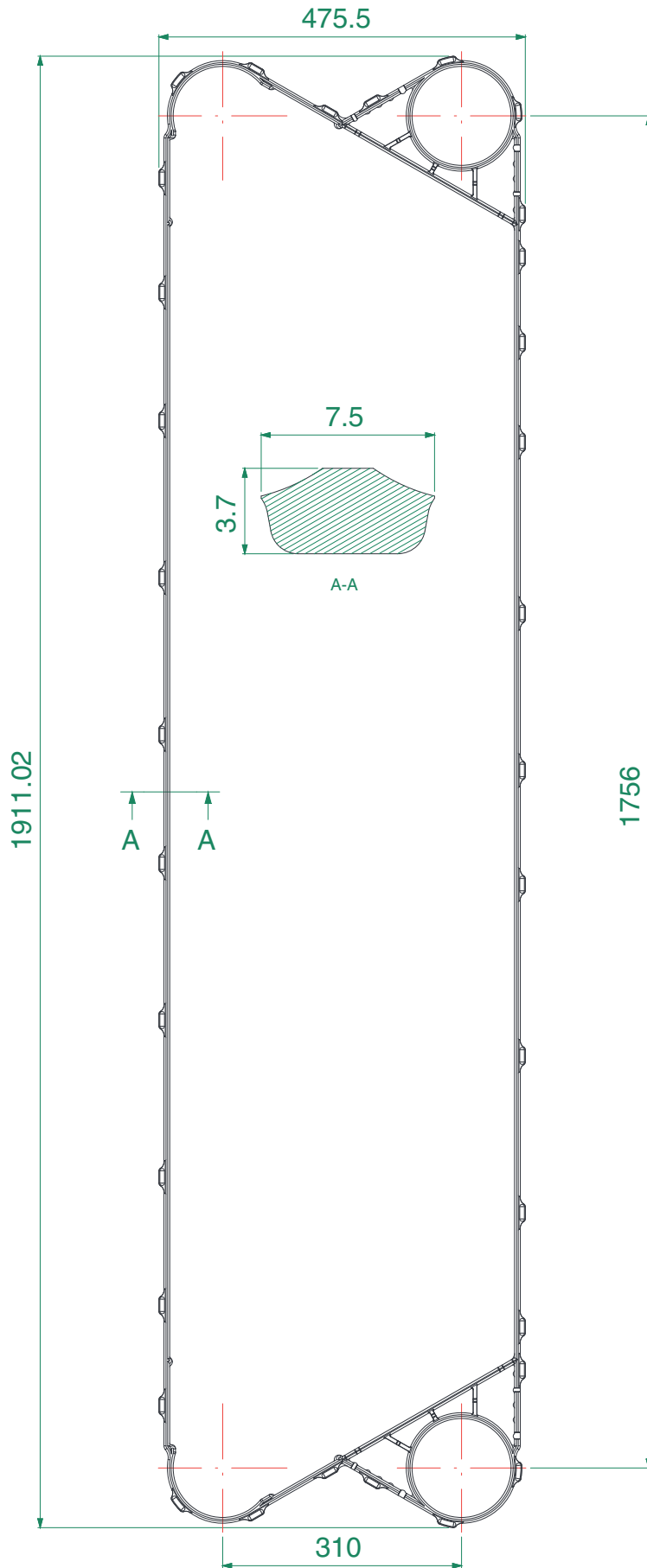
EXCHANGERS

ECHANGEURS

WÄRMEAUSTAUSCHER

INTERCAMBIADORES

Pos	Orobica Code	Model	Brand	Gasket Type	Q.ty
-	900.0580	Q080	APV	ENERGYSAVER PARACLIP FLOWPLATE GASKET	-



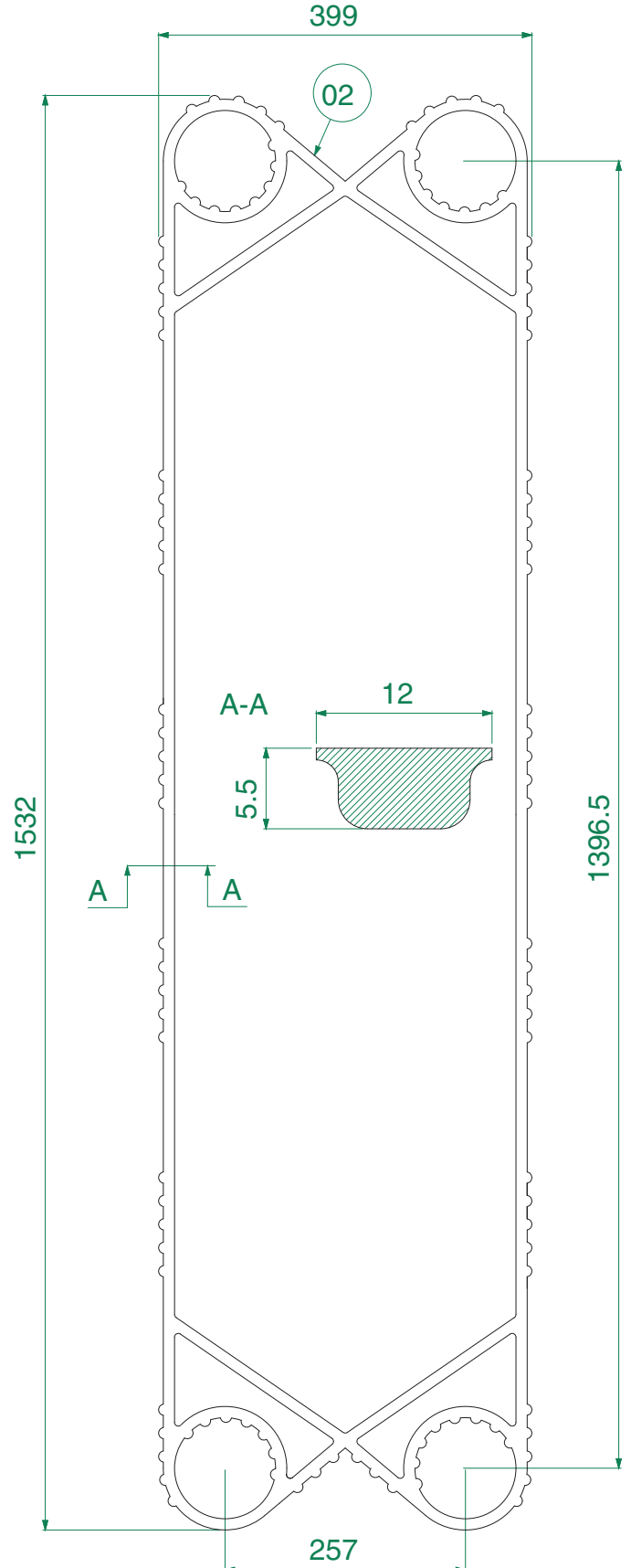
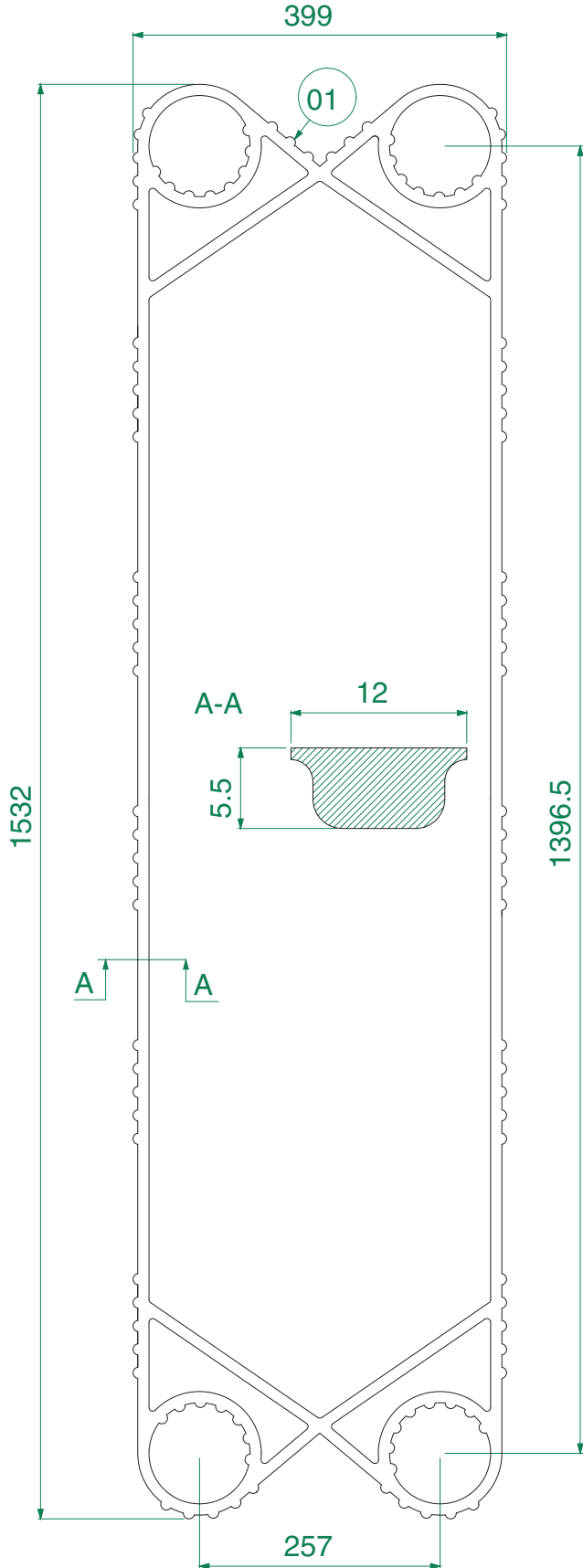
EXCHANGERS

ECHANGEURS

WÄRMEAUSTAUSCHER

INTERCAMBIADORES

Pos	Orobica Code	Model	Brand	Gasket Type	Q.ty
01	900.0139	R5	APV	RIGHT ENDPLATE GASKET	-
02	900.0140	R5	APV	LEFT ENDPLATE GASKET	-



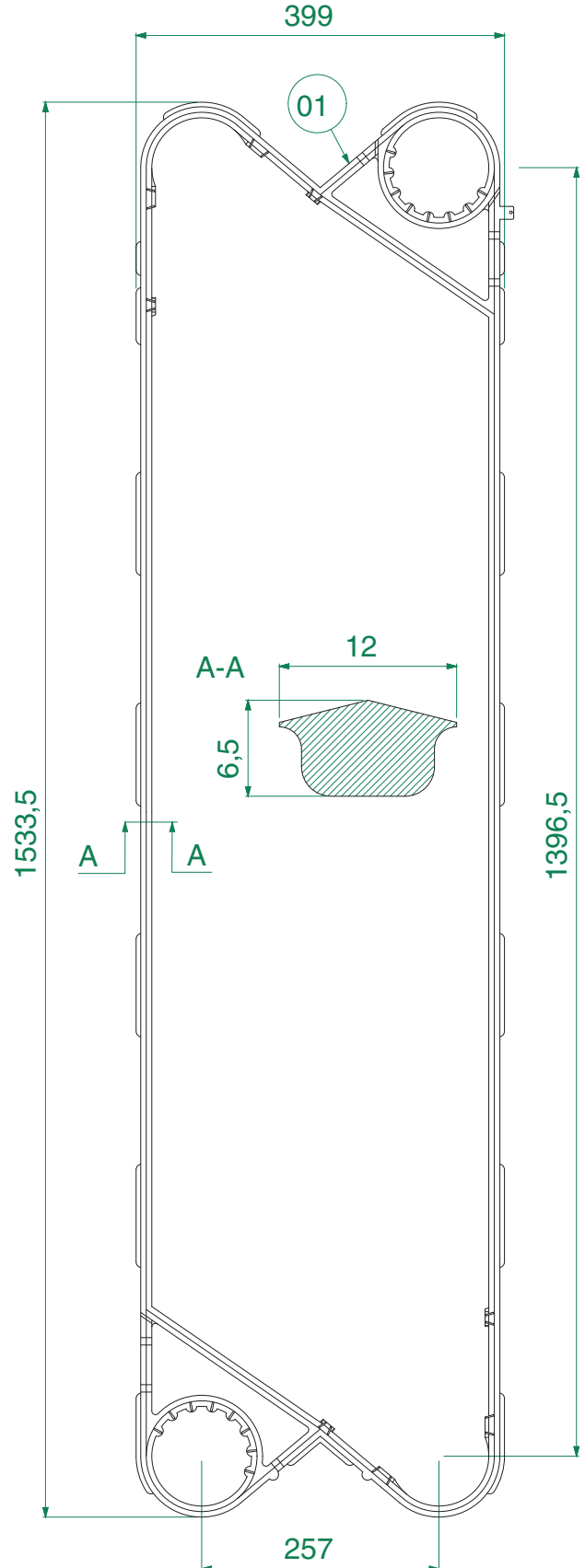
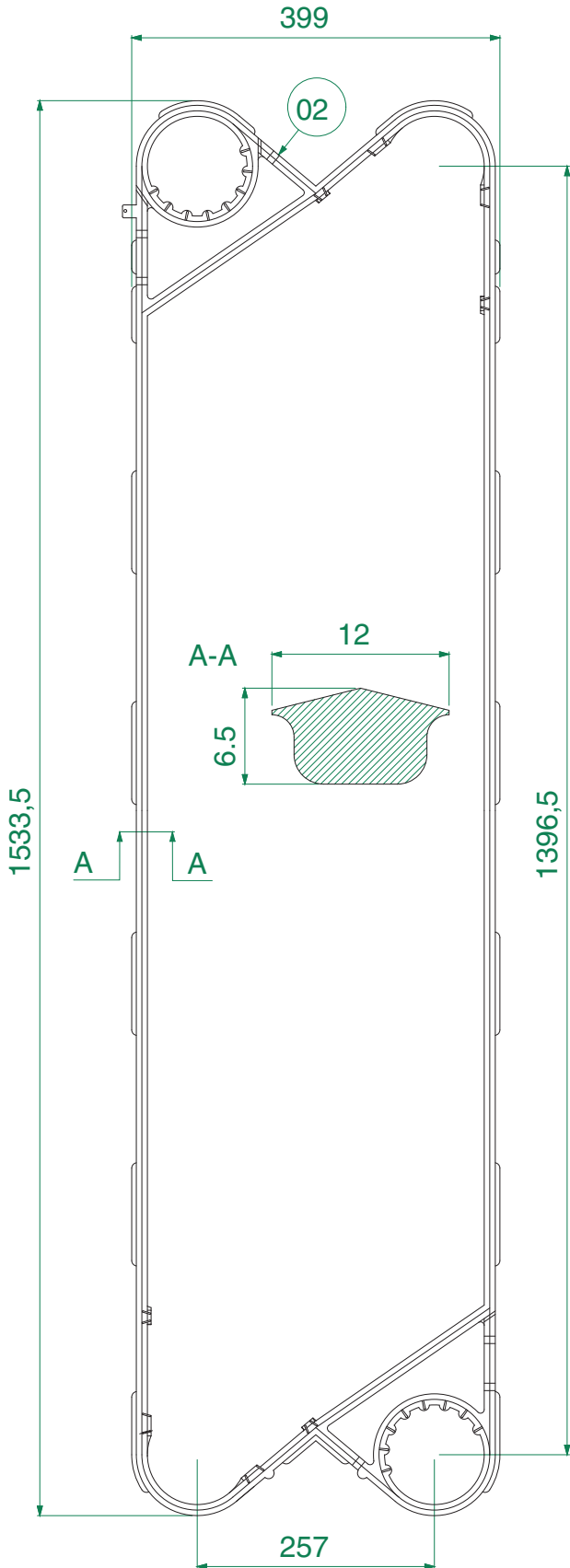
EXCHANGERS

ECHANGEURS

WÄRMEAUSTAUSCHER

INTERCAMBIADORES

Pos	Orobica Code	Model	Brand	Gasket Type	Q.ty
01	900.00161	R5	APV	RIGHT GLUED FLOWPLATE GASKET	-
02	900.00171	R5	APV	LEFT GLUED FLOWPLATE GASKET	-



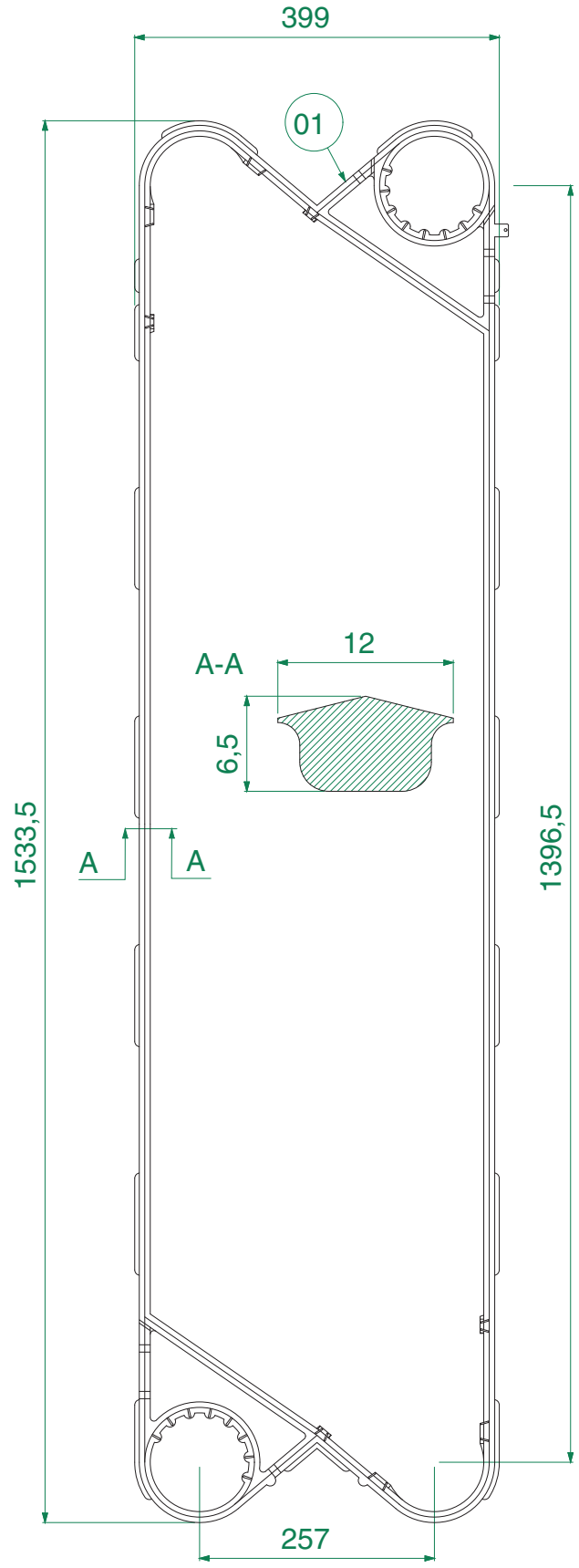
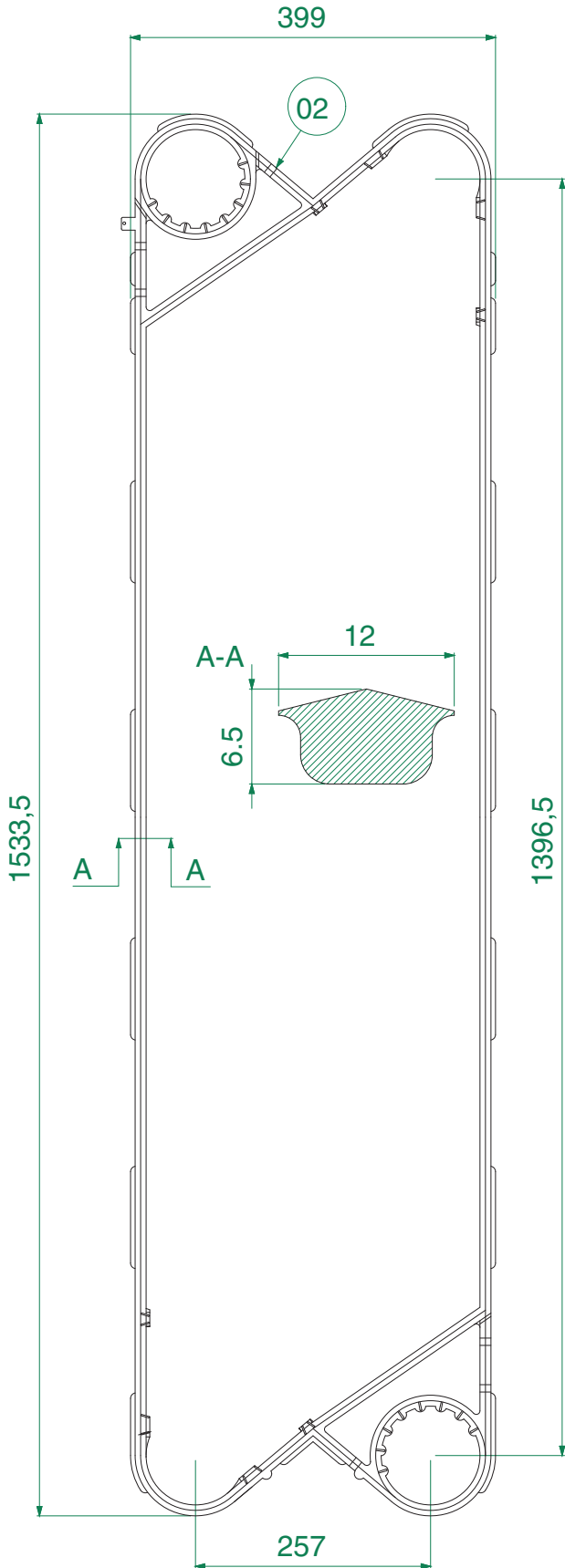
EXCHANGERS

ECHANGEURS

WÄRMEAUSTAUSCHER

INTERCAMBIADORES

Pos	Orobica Code	Model	Brand	Gasket Type	Q.ty
01	900.0016	R5	APV	RIGHT PARACLIP FLOWPLATE GASKET	-
02	900.0017	R5	APV	LEFT PARACLIP FLOWPLATE GASKET	-





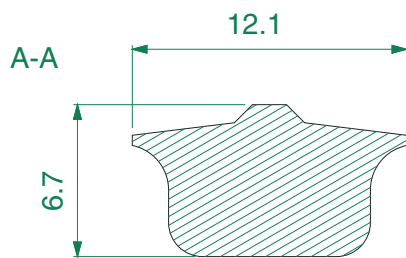
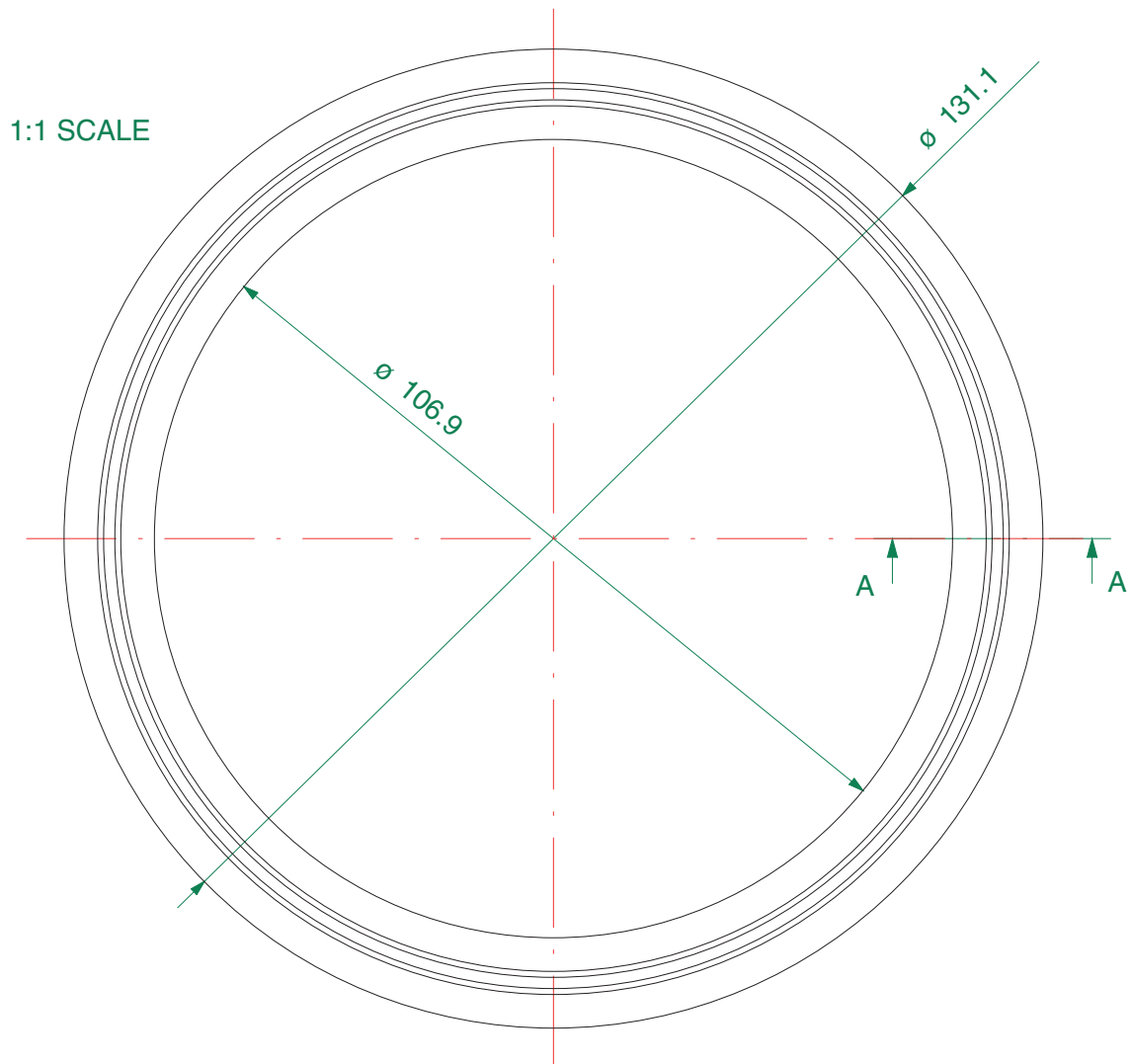
EXCHANGERS

ECHANGEURS

WÄRMEAUSTAUSCHER

INTERCAMBIADORES

Pos	Orobica Code	Model	Brand	Gasket Type	Q.ty
-	900.0036	R5	APV	FRAME PORT RING GASKET	-



APV

# SCAMBIATORI

EXCHANGERS

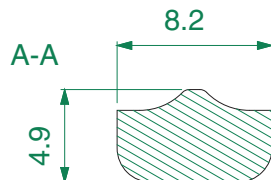
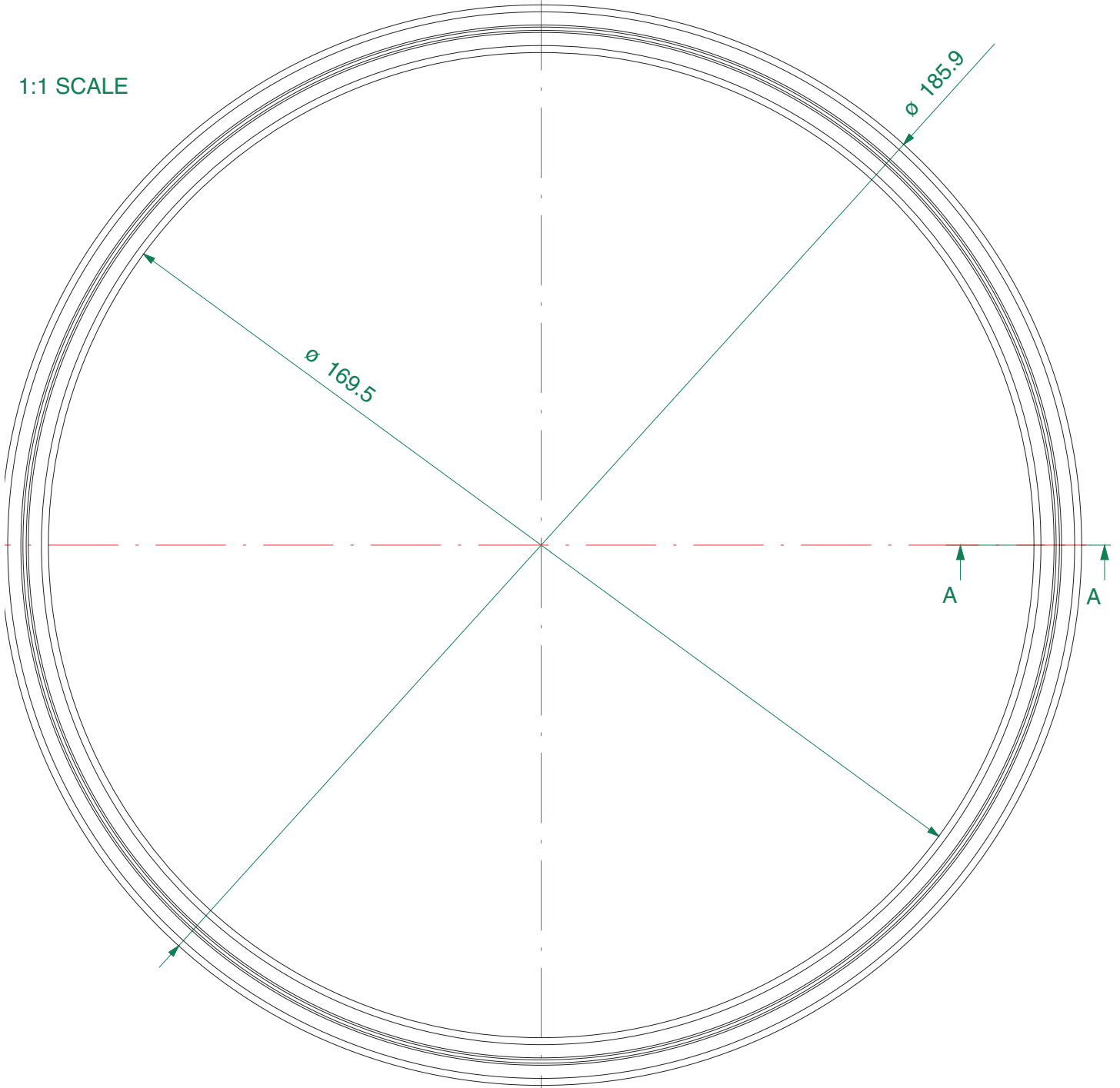
ECHANGEURS

WÄRMEAUSTAUSCHER

INTERCAMBIADORES

Pos	Orobica Code	Model	Brand	Gasket Type	Q.ty
-	900.0284	R8	APV	FRAME PORT RING GASKET	-

1:1 SCALE



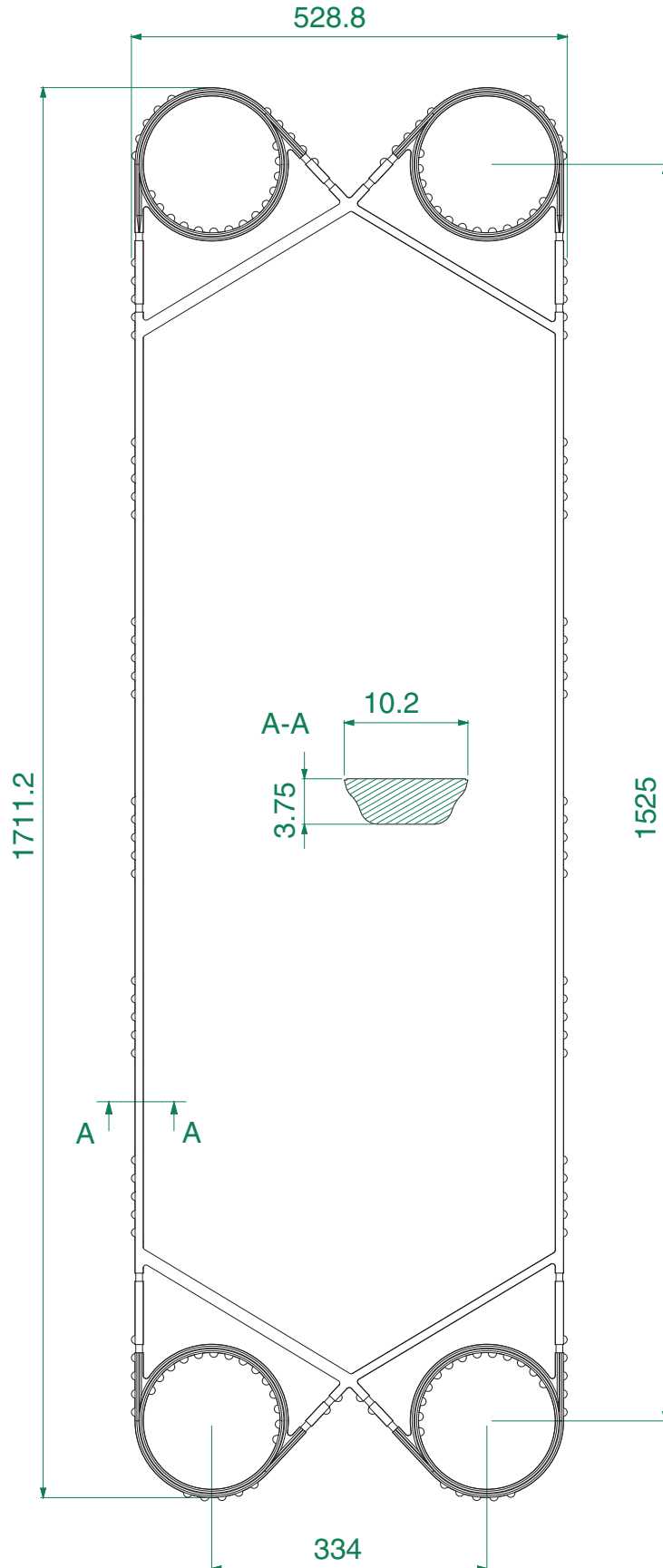
EXCHANGERS

ECHANGEURS

WÄRMEAUSTAUSCHER

INTERCAMBIADORES

Pos	Orobica Code	Model	Brand	Gasket Type	Q.ty
-	900.0283	R8 GI	APV	ENDPLATE GASKET	-



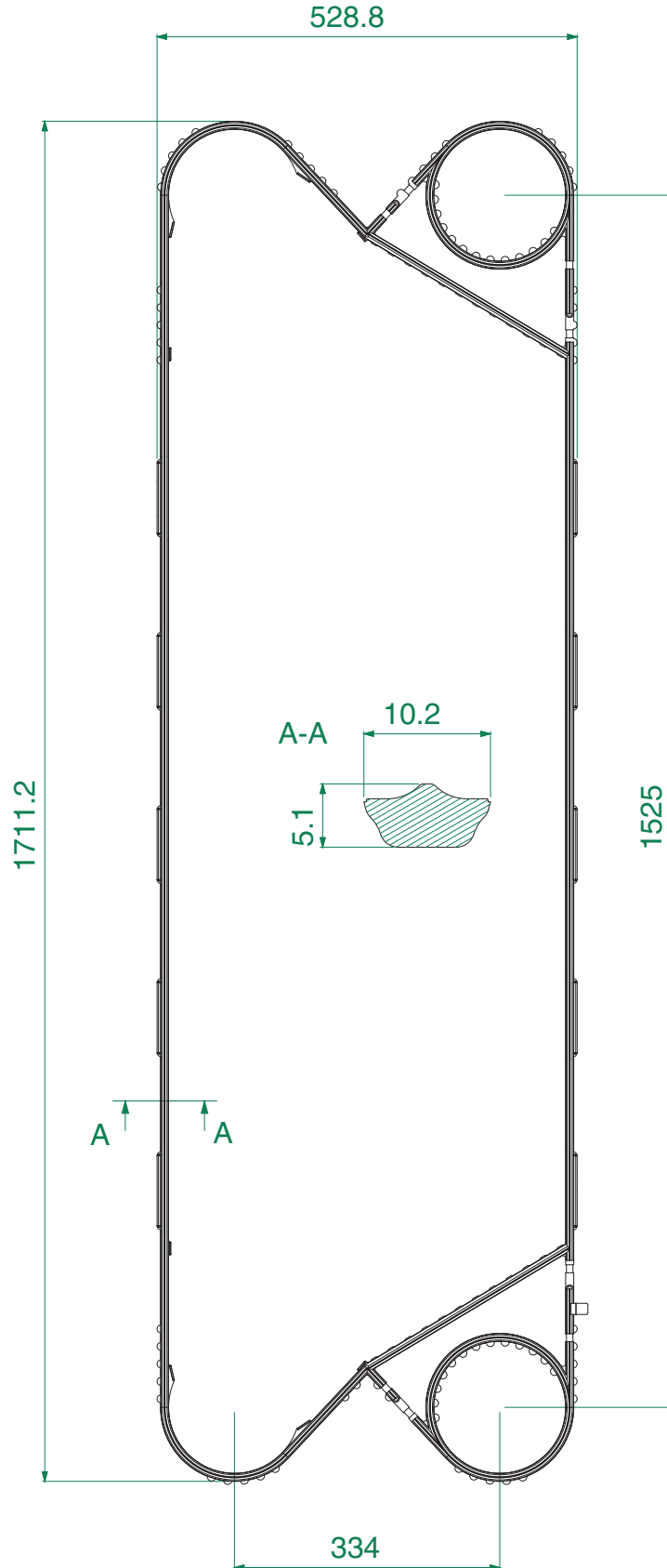
EXCHANGERS

ECHANGEURS

WÄRMEAUSTAUSCHER

INTERCAMBIADORES

Pos	Orobica Code	Model	Brand	Gasket Type	Q.ty
-	900.0282	R8 GI	APV	FLOWPLATE GASKET	-



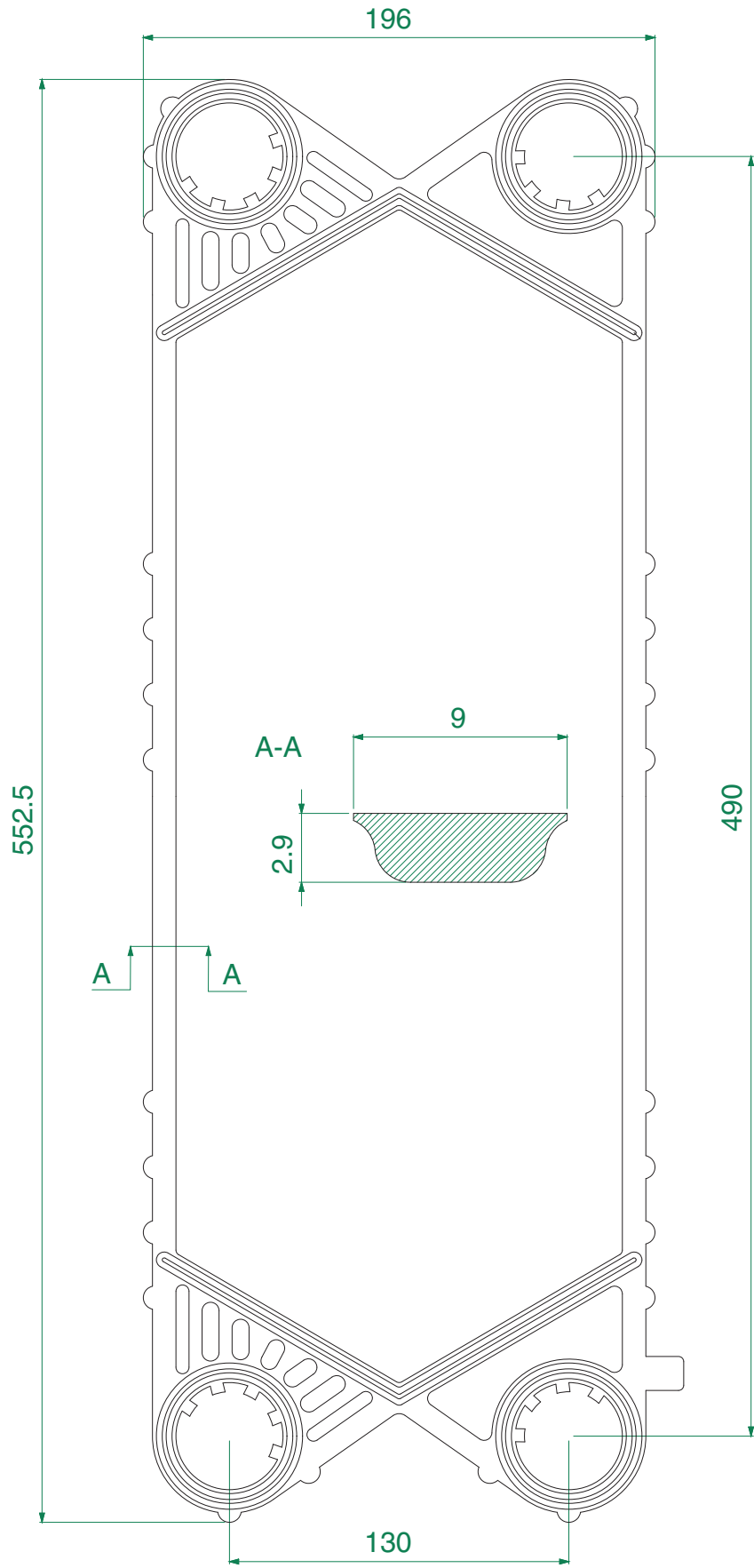
EXCHANGERS

ECHANGEURS

WÄRMEAUSTAUSCHER

INTERCAMBIADORES

Pos	Orobica Code	Model	Brand	Gasket Type	Q.ty
-	900.0162	SR1	APV	ENDPLATE GASKET	-



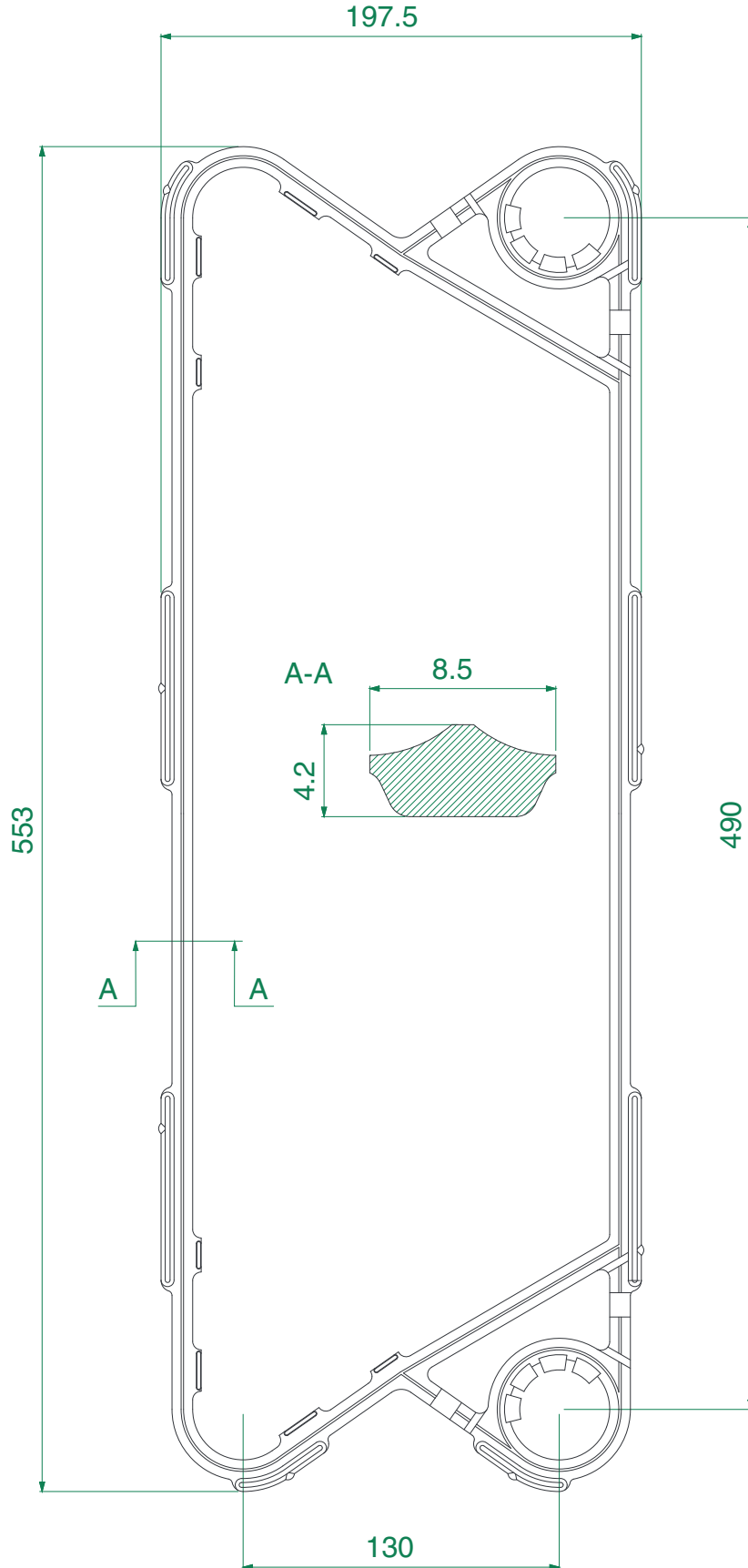
EXCHANGERS

ECHANGEURS

WÄRMEAUSTAUSCHER

INTERCAMBIADORES

Pos	Orobica Code	Model	Brand	Gasket Type	Q.ty
-	900.00421	SR1-SR10	APV	GLUED FLOWPLATE GASKET	-



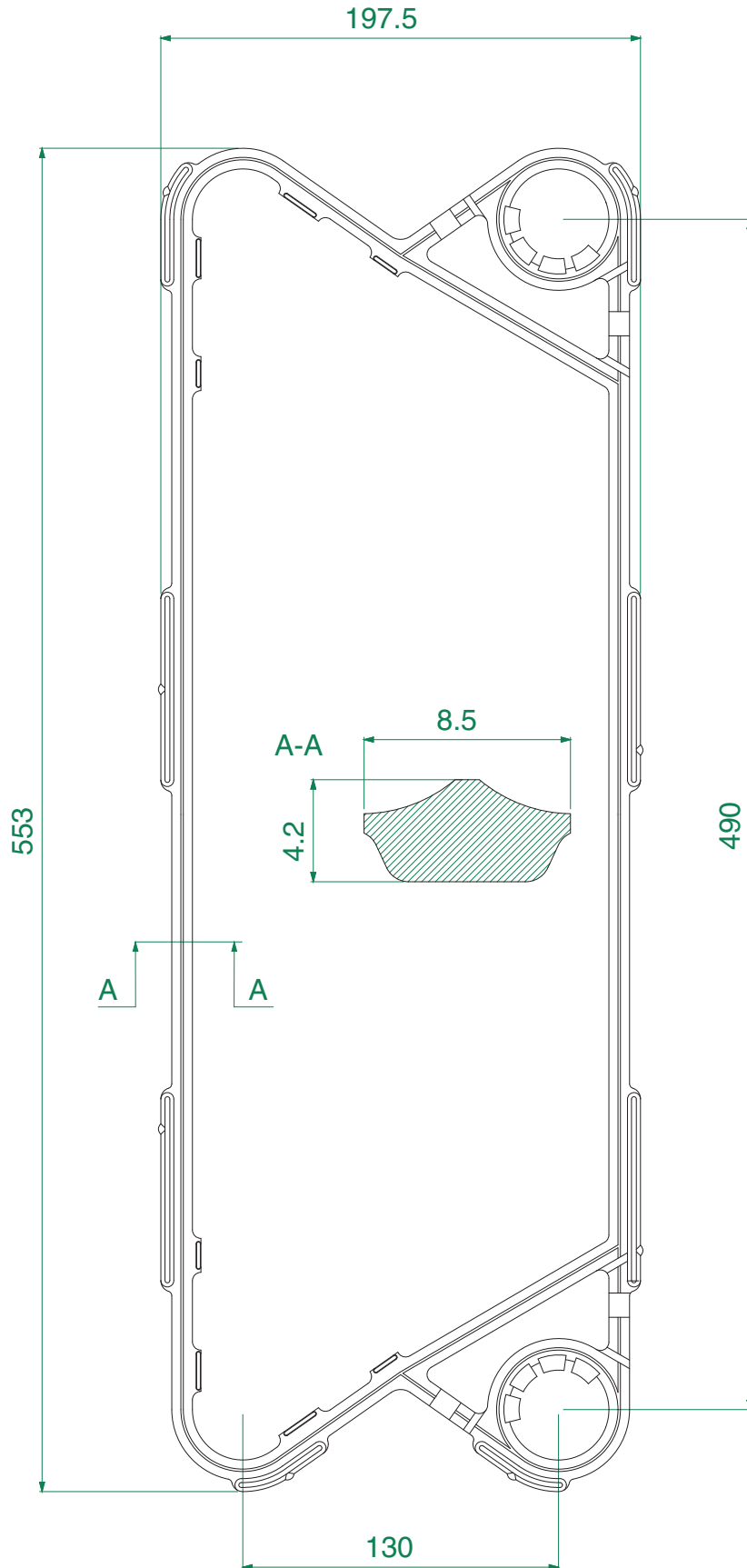
EXCHANGERS

ECHANGEURS

WÄRMEAUSTAUSCHER

INTERCAMBIADORES

Pos	Orobica Code	Model	Brand	Gasket Type	Q.ty
-	900.0042	SR1-SR10	APV	PARACLIP FLOWPLATE GASKET	-



EXCHANGERS

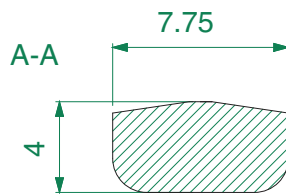
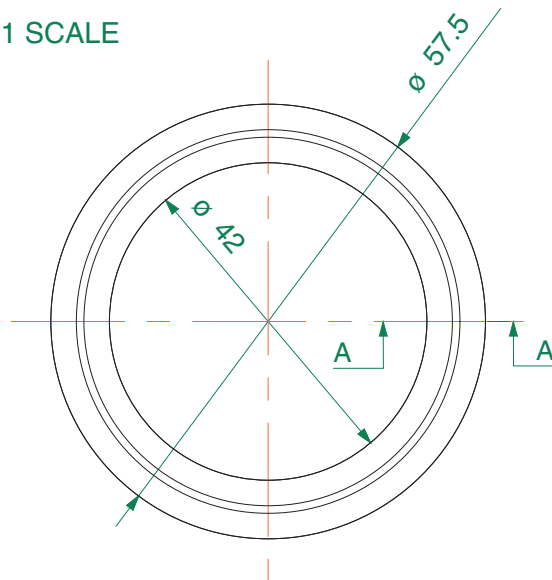
ECHANGEURS

WÄRMEAUSTAUSCHER

INTERCAMBIADORES

Pos	Orobica Code	Model	Brand	Gasket Type	Q.ty
-	900.0043	SR1-SR10	APV	FRAME PORT RING GASKET	-

1:1 SCALE





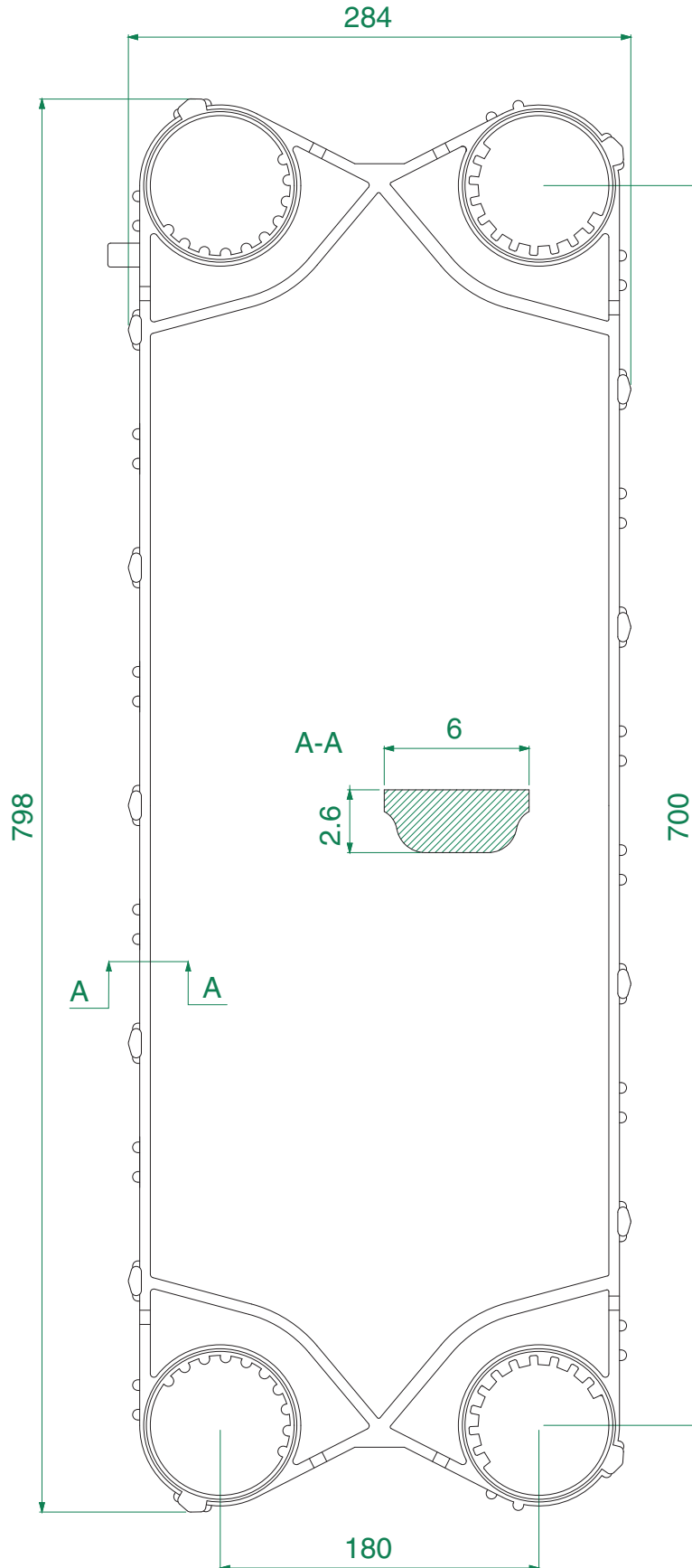
EXCHANGERS

ECHANGEURS

WÄRMEAUSTAUSCHER

INTERCAMBIADORES

Pos	Orobica Code	Model	Brand	Gasket Type	Q.ty
-	900.0146	SR2	APV	GLUED ENDPLATE GASKET	-



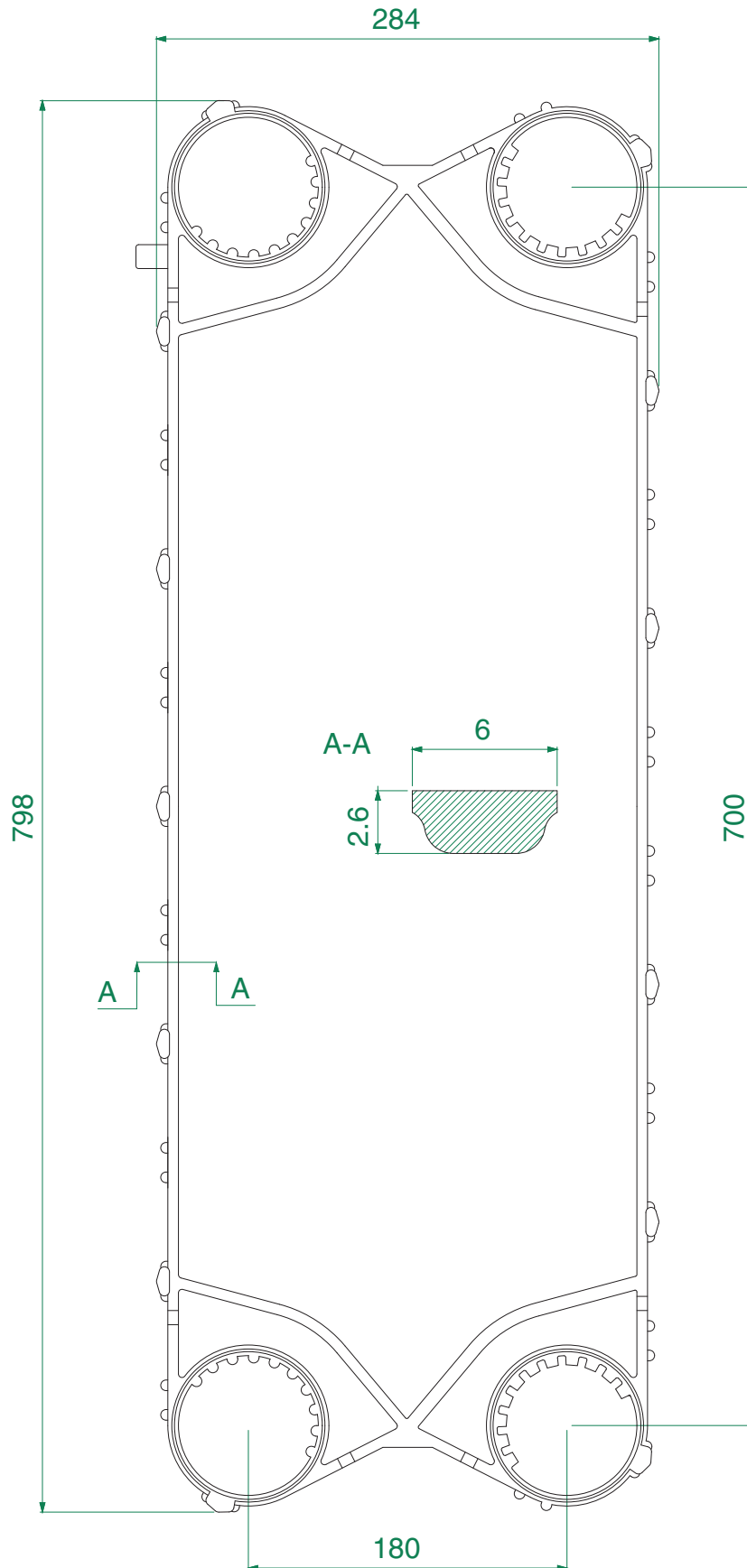
EXCHANGERS

ECHANGEURS

WÄRMEAUSTAUSCHER

INTERCAMBIADORES

Pos	Orobica Code	Model	Brand	Gasket Type	Q.ty
-	900.0106	SR2	APV	PARACLIP ENDPLATE GASKET	-



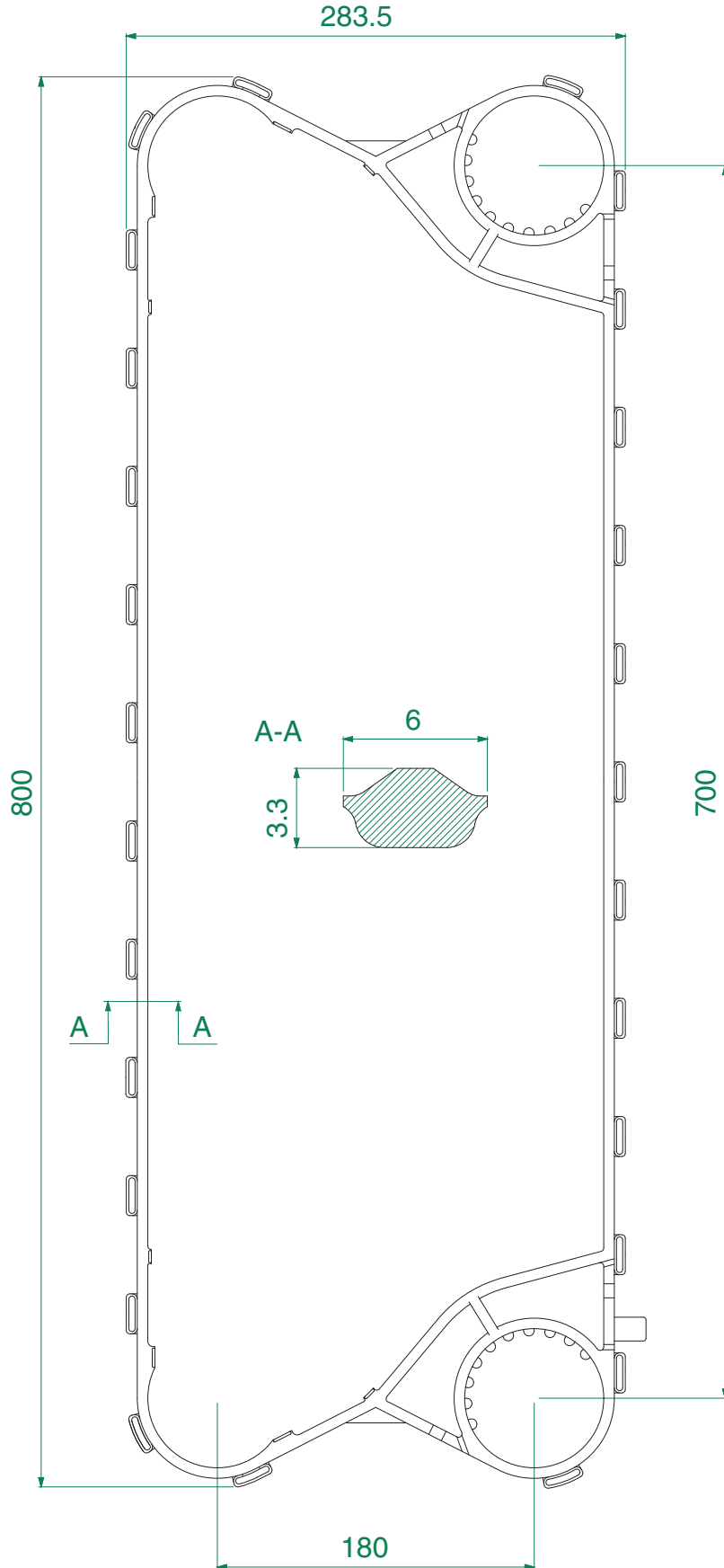
EXCHANGERS

ECHANGEURS

WÄRMEAUSTAUSCHER

INTERCAMBIADORES

Pos	Orobica Code	Model	Brand	Gasket Type	Q.ty
-	900.0107	SR2	APV	GLUED FLOWPLATE GASKET	-



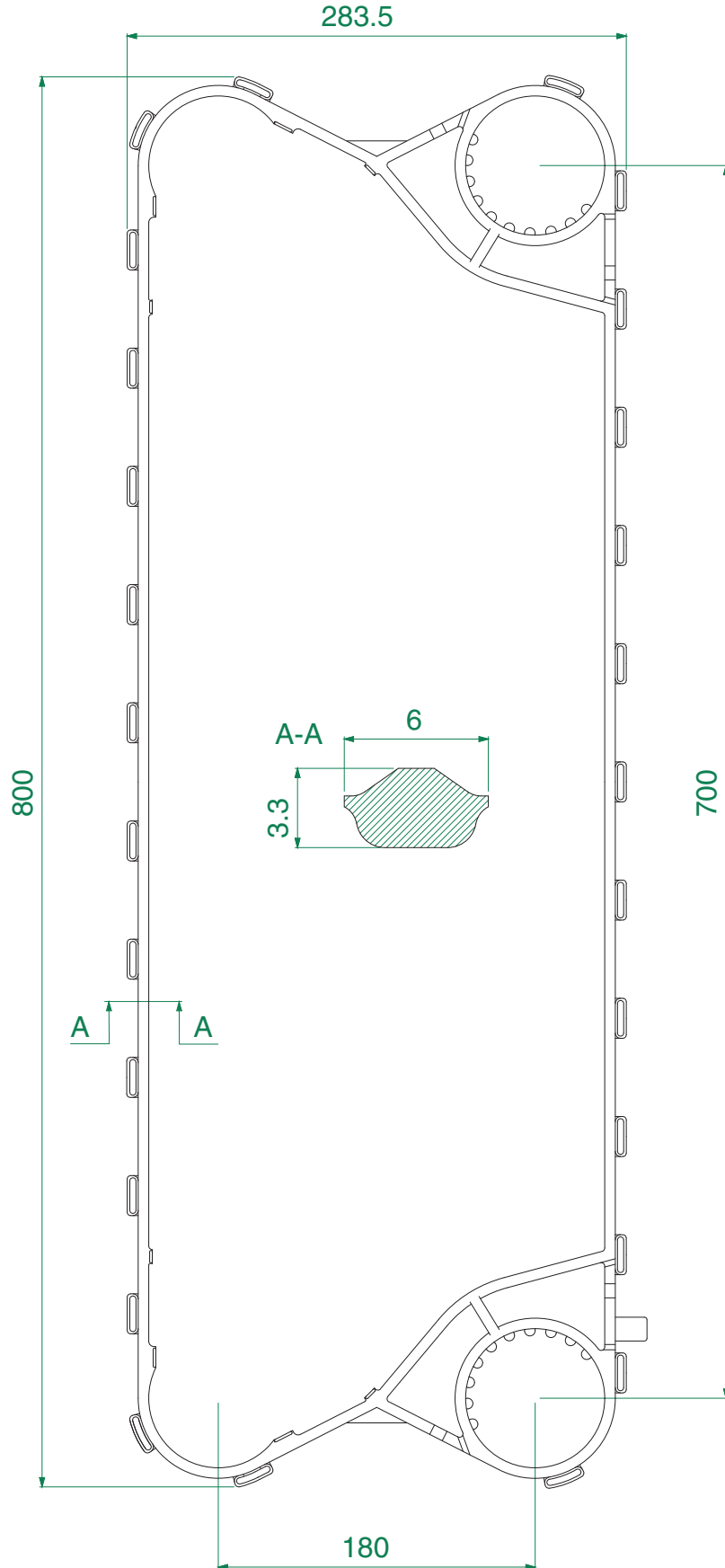
EXCHANGERS

ECHANGEURS

WÄRMEAUSTAUSCHER

INTERCAMBIADORES

Pos	Orobica Code	Model	Brand	Gasket Type	Q.ty
-	900.0144	SR2	APV	PARACLIP FLOWPLATE GASKET	-



EXCHANGERS

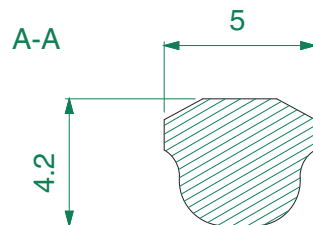
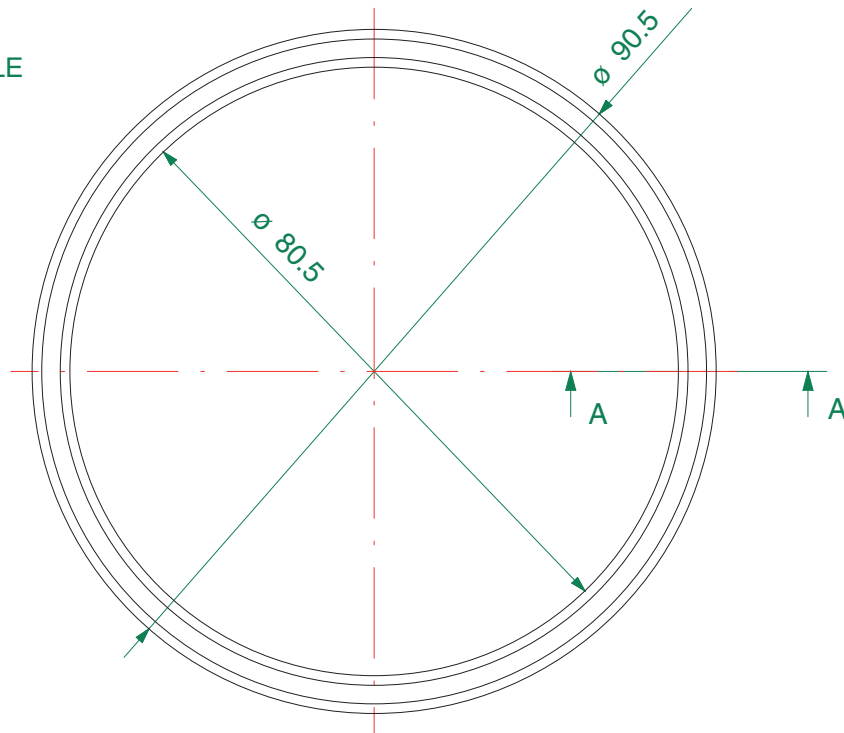
ECHANGEURS

WÄRMEAUSTAUSCHER

INTERCAMBIADORES

Pos	Orobica Code	Model	Brand	Gasket Type	Q.ty
-	900.0145	SR2	APV	PORT RING GASKET H=4,2	-

1:1 SCALE



EXCHANGERS

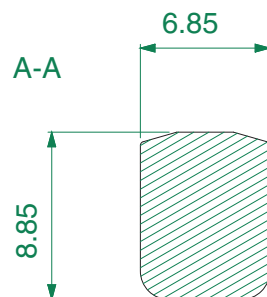
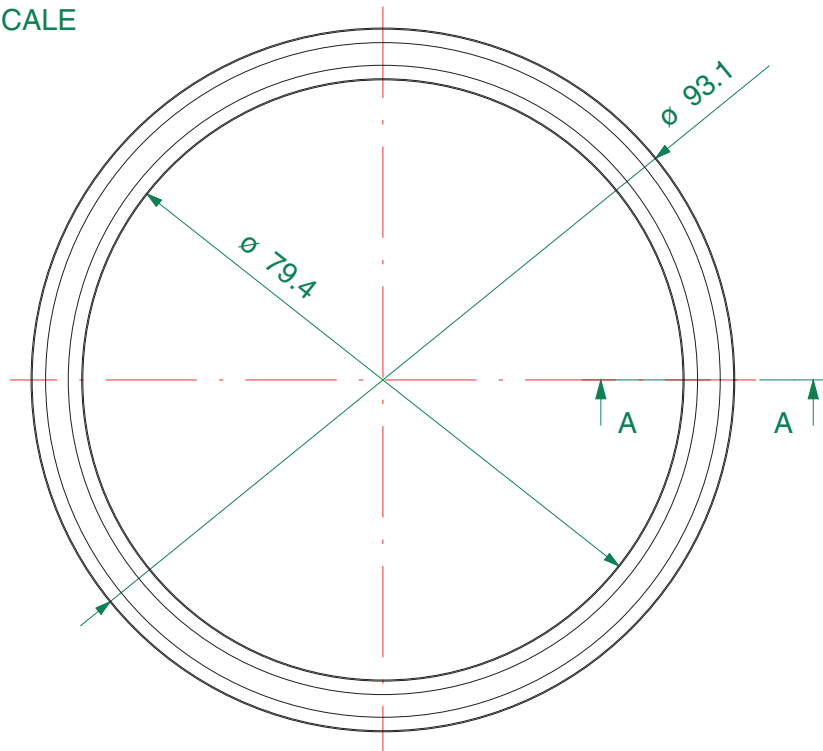
ECHANGEURS

WÄRMEAUSTAUSCHER

INTERCAMBIADORES

Pos	Orobica Code	Model	Brand	Gasket Type	Q.ty
-	900.0366	SR2	APV	PORT RING GASKET H=8,85	-

1:1 SCALE



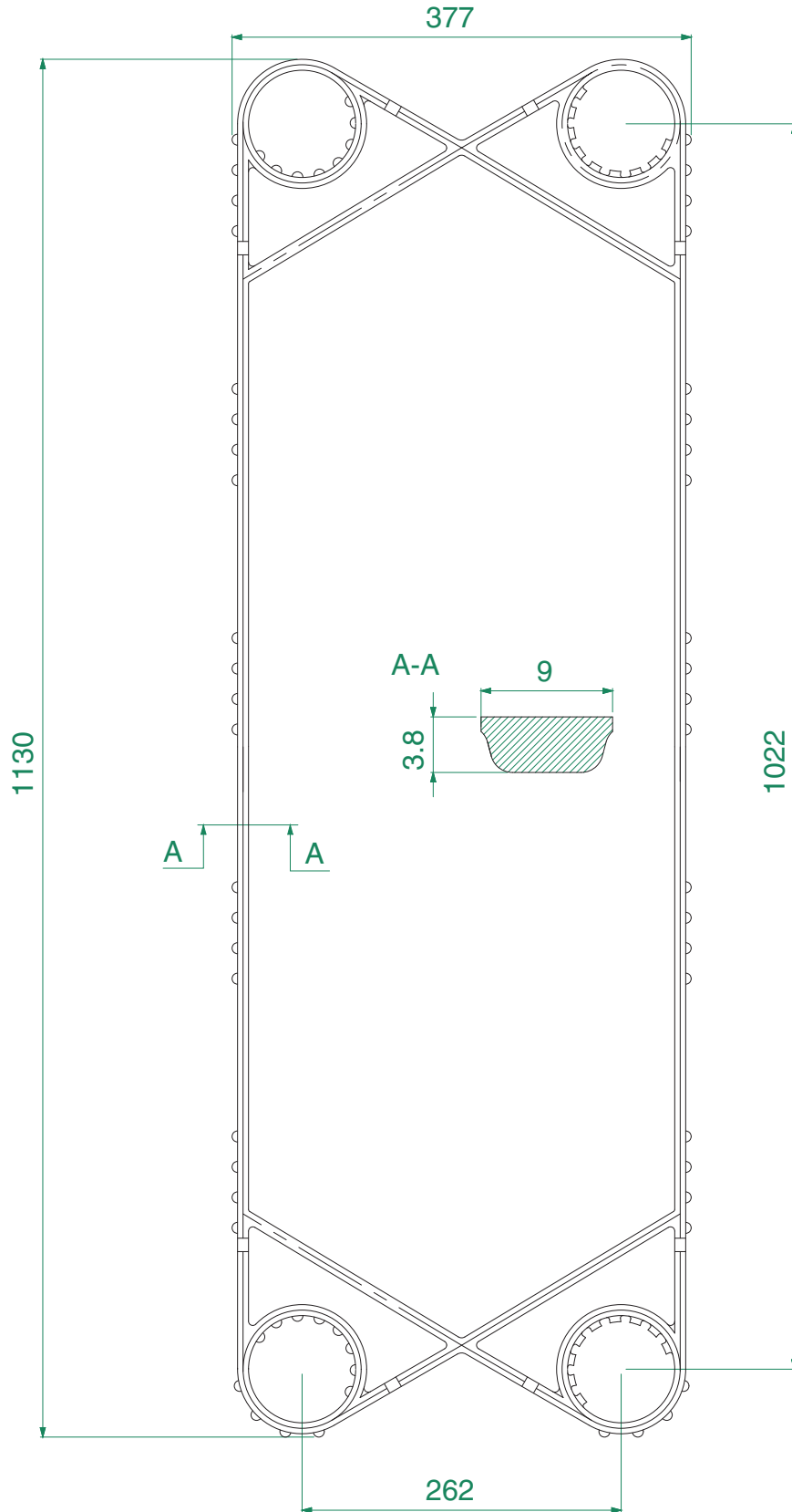
EXCHANGERS

ECHANGEURS

WÄRMEAUSTAUSCHER

INTERCAMBIADORES

Pos	Orobica Code	Model	Brand	Gasket Type	Q.ty
-	900.0138	SR3	APV	ENDPLATE GASKET	-



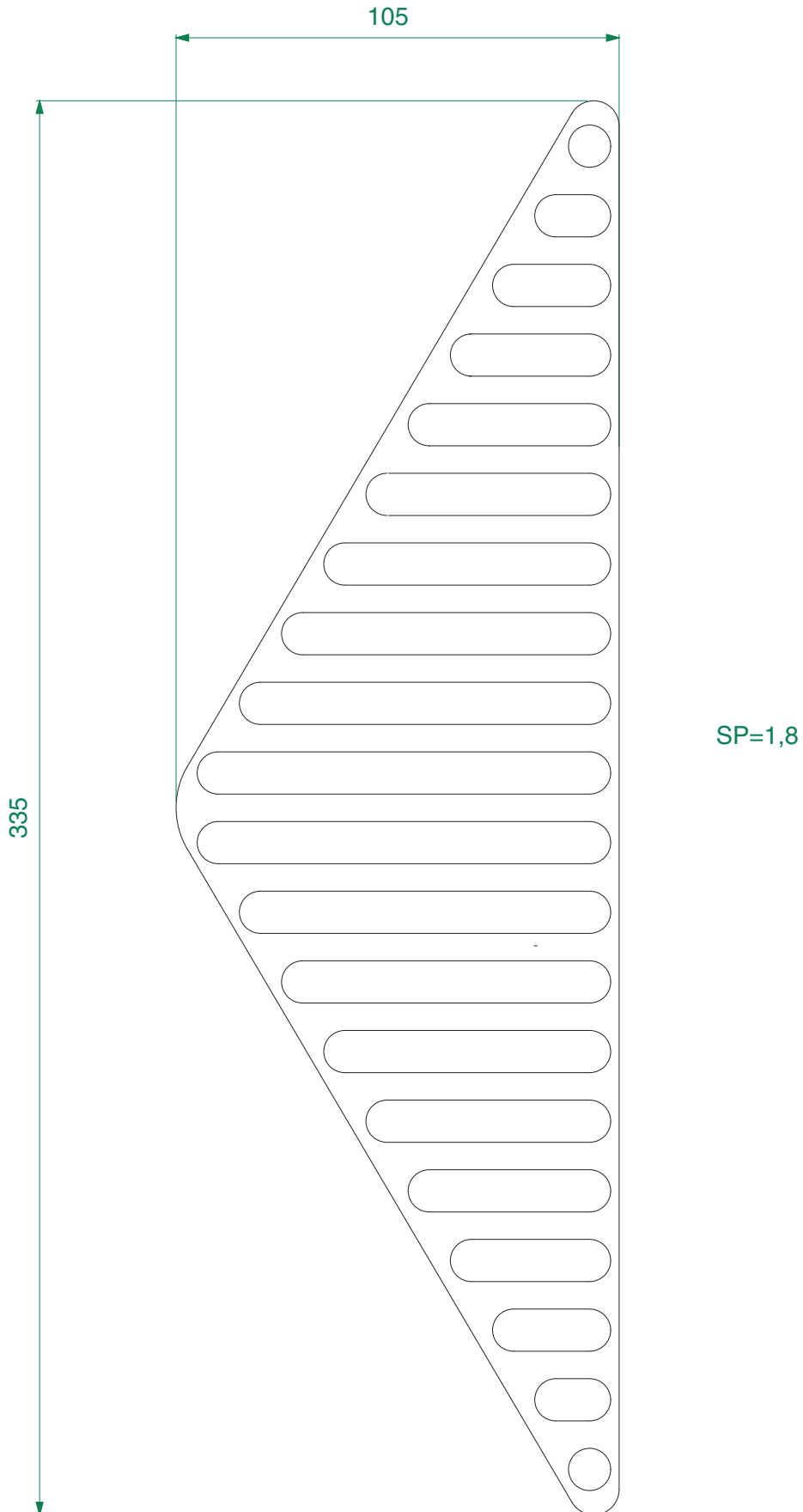
EXCHANGERS

ECHANGEURS

WÄRMEAUSTAUSCHER

INTERCAMBIADORES

Pos	Orobica Code	Model	Brand	Gasket Type	Q.ty
-	900.0035	SR3	APV	TRIANGLE SUPPORT PAD GASKET	-





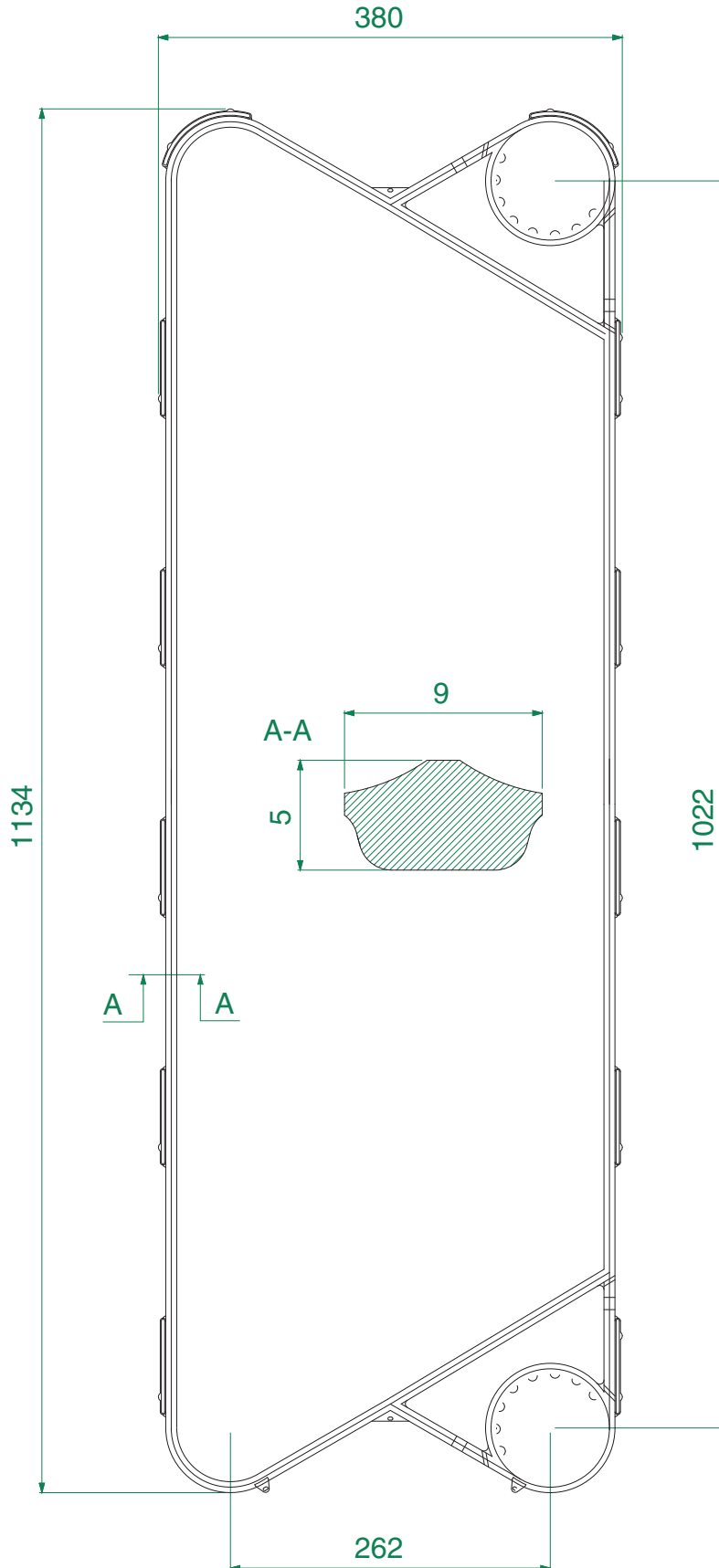
EXCHANGERS

ECHANGEURS

WÄRMEAUSTAUSCHER

INTERCAMBIADORES

Pos	Orobica Code	Model	Brand	Gasket Type	Q.ty
-	900.00321	SR3	APV	GLUED FLOWPLATE GASKET	-



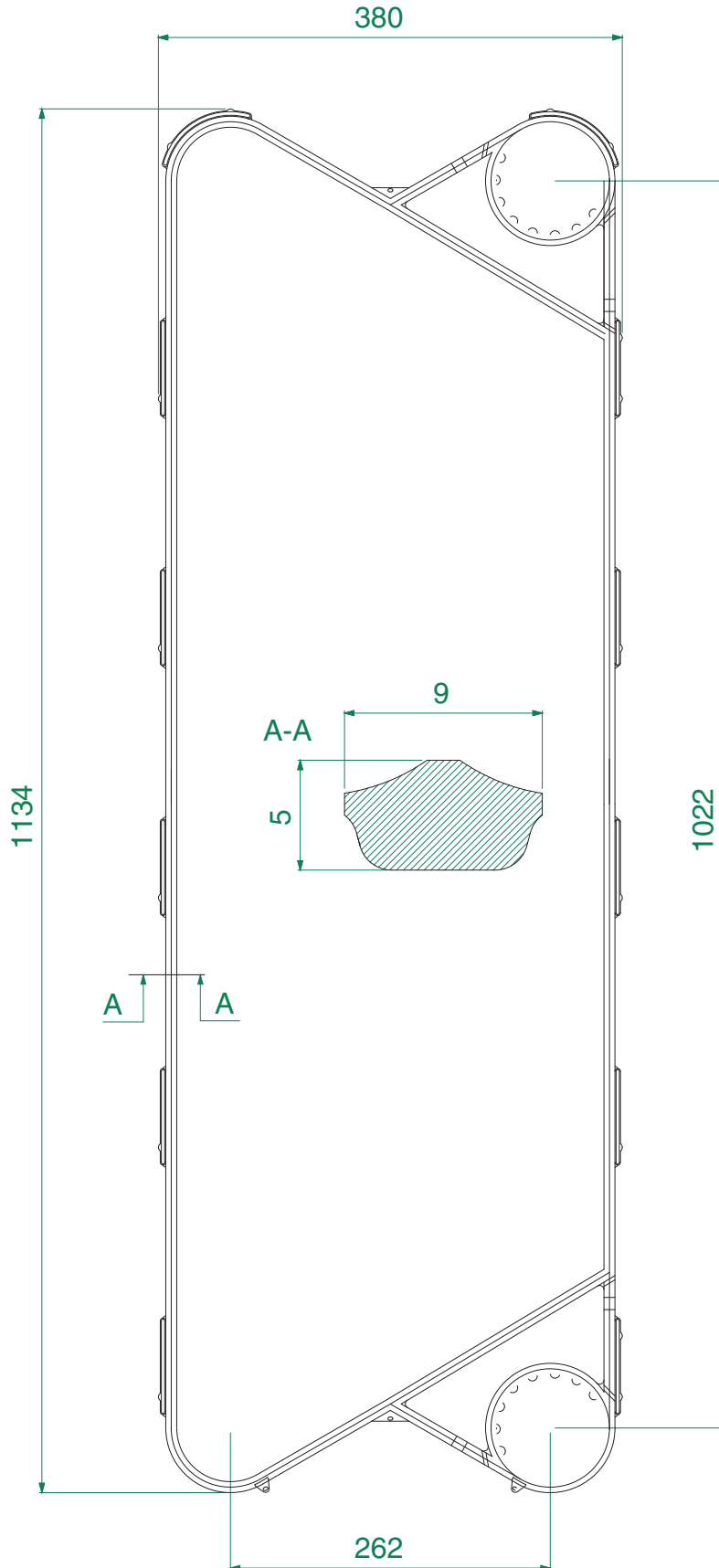
EXCHANGERS

ECHANGEURS

WÄRMEAUSTAUSCHER

INTERCAMBIADORES

Pos	Orobica Code	Model	Brand	Gasket Type	Q.ty
-	900.0032	SR3	APV	PARACLIP FLOWPLATE GASKET	-



EXCHANGERS

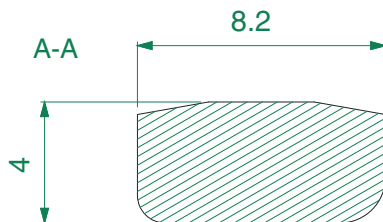
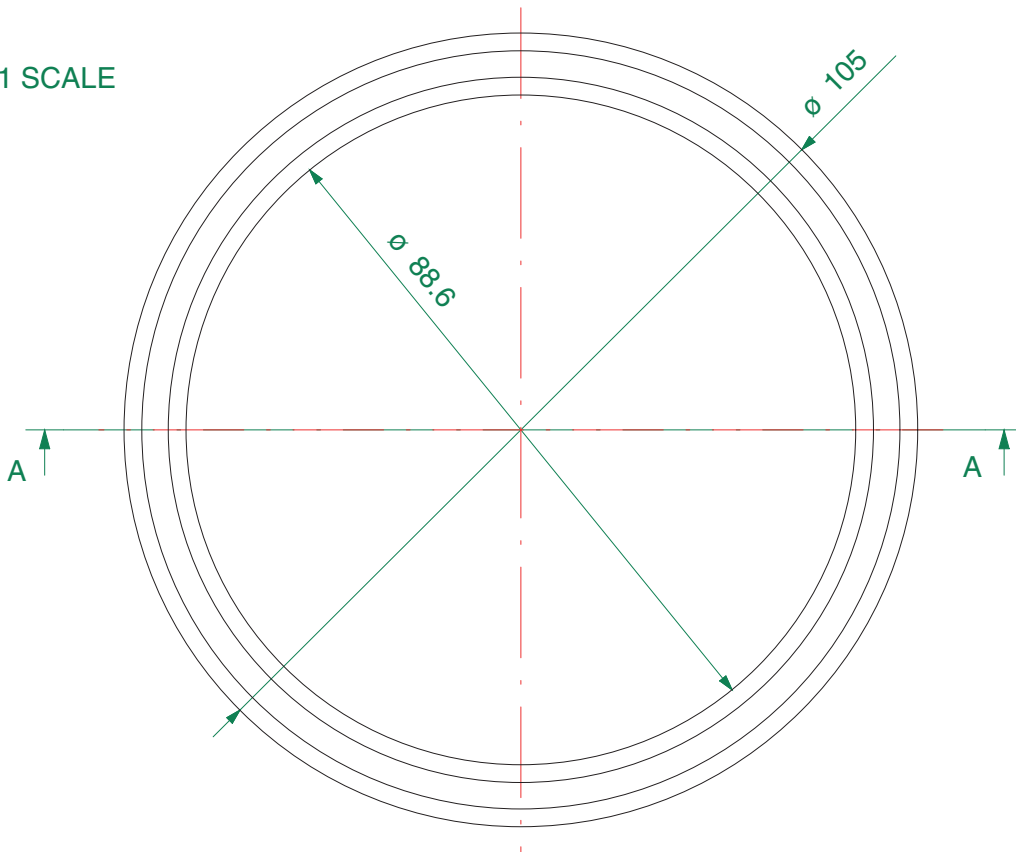
ECHANGEURS

WÄRMEAUSTAUSCHER

INTERCAMBIADORES

Pos	Orobica Code	Model	Brand	Gasket Type	Q.ty
-	900.0037	SR3	APV	PORT RING GASKET H=4	-

1:1 SCALE



APV

# SCAMBIATORI

EXCHANGERS

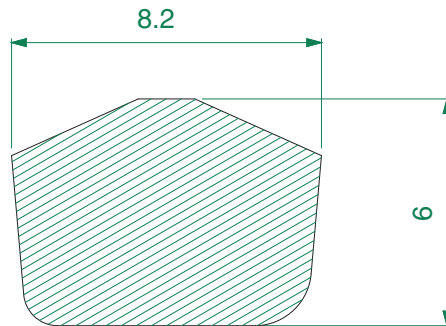
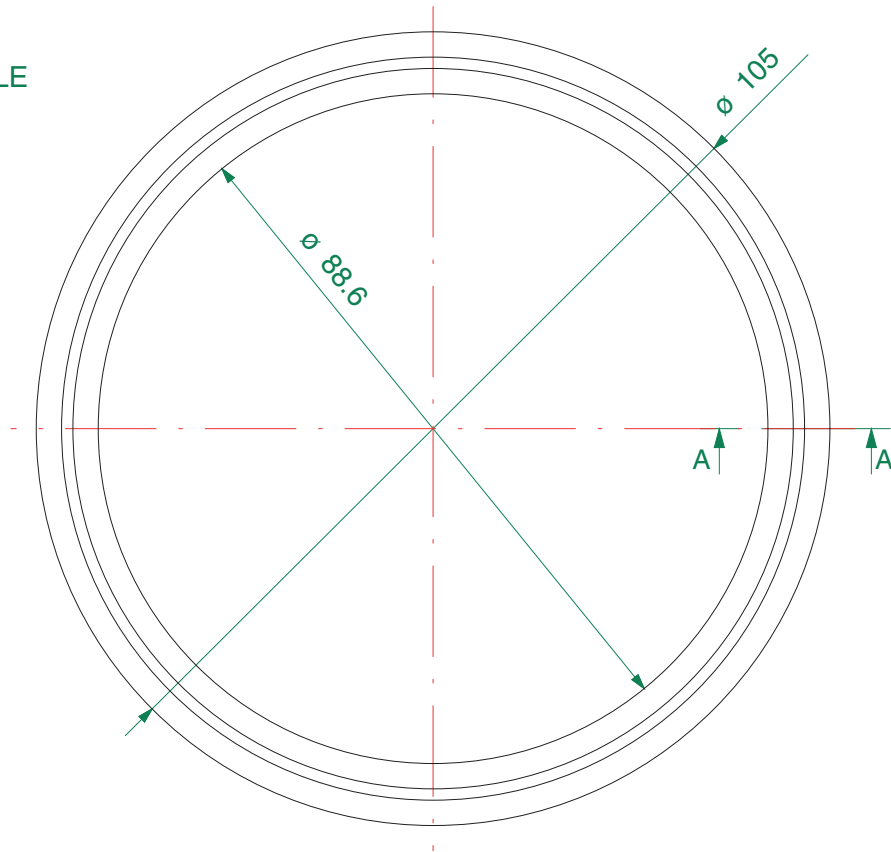
ECHANGEURS

WÄRMEAUSTAUSCHER

INTERCAMBIADORES

Pos	Orobica Code	Model	Brand	Gasket Type	Q.ty
-	900.0492	SR3	APV	PORT RING GASKET H=6	-

1:1 SCALE



A-A

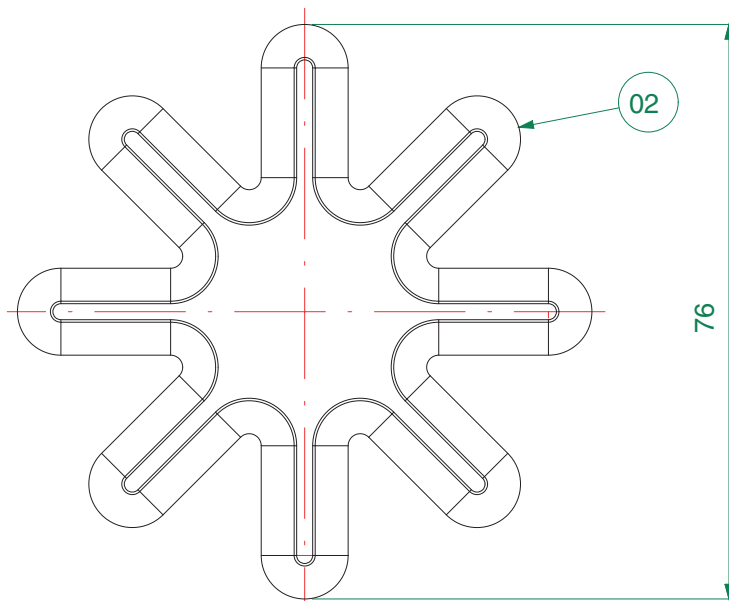
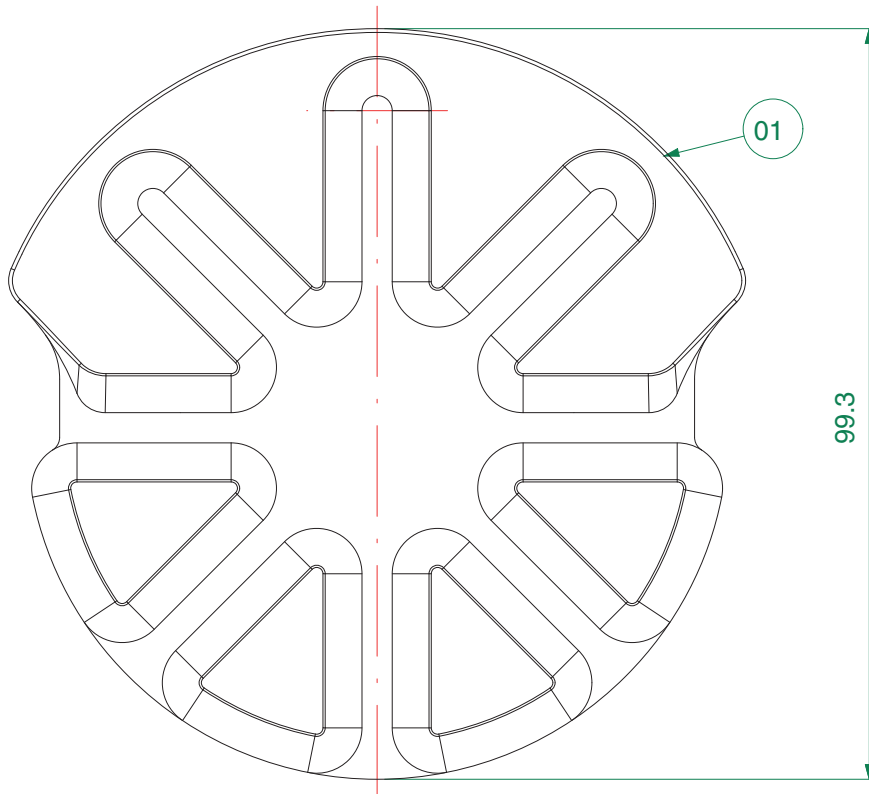
EXCHANGERS

ECHANGEURS

WÄRMEAUSTAUSCHER

INTERCAMBIADORES

Pos	Orobica Code	Model	Brand	Gasket Type	Q.ty
1-2	900.0378	SR6	APV	PORT SUPPORT PAD GASKET SET	01
01	900.03781	SR6	APV	FEMALE SUPPORT PAD GASKET	01
02	900.03782	SR6	APV	MALE SUPPORT PAD GASKET	01



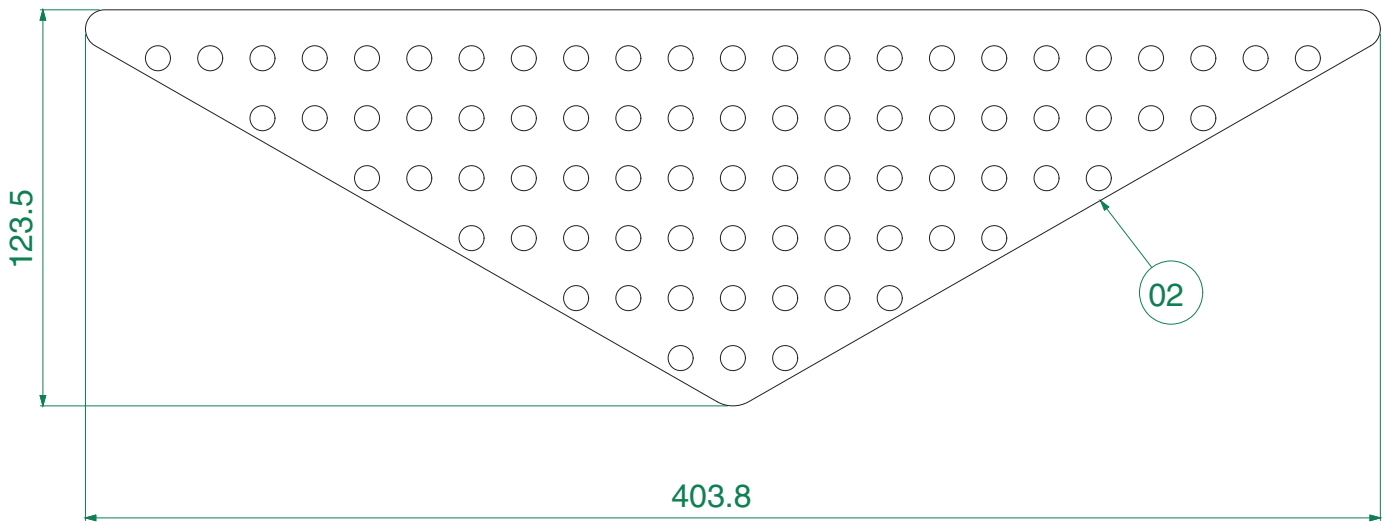
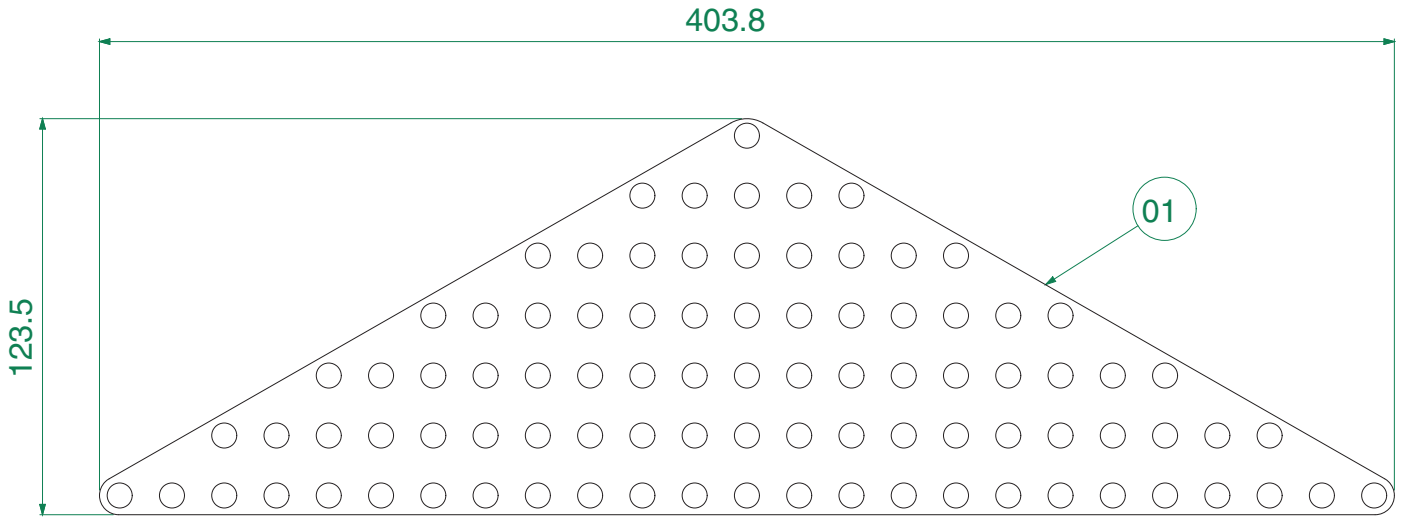
EXCHANGERS

ECHANGEURS

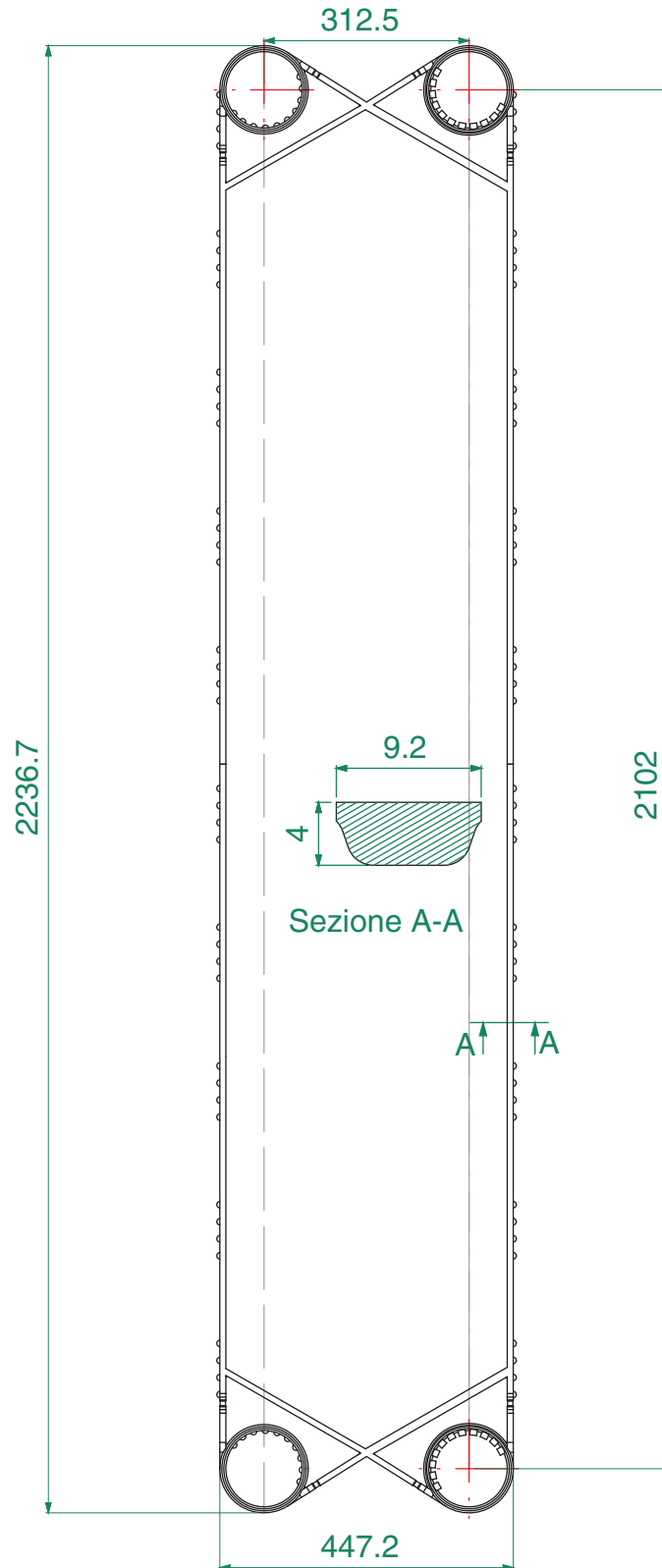
WÄRMEAUSTAUSCHER

INTERCAMBIADORES

Pos	Orobica Code	Model	Brand	Gasket Type	Q.ty
1-2	900.0379	SR6	APV	TRIANGLE SUPPORT PAD GASKET SET	01
01	900.03791	SR6	APV	UPPER TRIANGLE PAD GASKET	01
02	900.03792	SR6	APV	DOWN TRIANGLE PAD GASKET	01



Pos	Orobica Code	Model	Brand	Gasket Type	Q.ty
-	900.0483	SR6AA	APV	ENDPLATE GASKET	-



WE OBTAINED THE ENDPLATE GASKET CUTTING TWO  
SR6GL ENDPLATE GASKET OUR CODE 900.0096

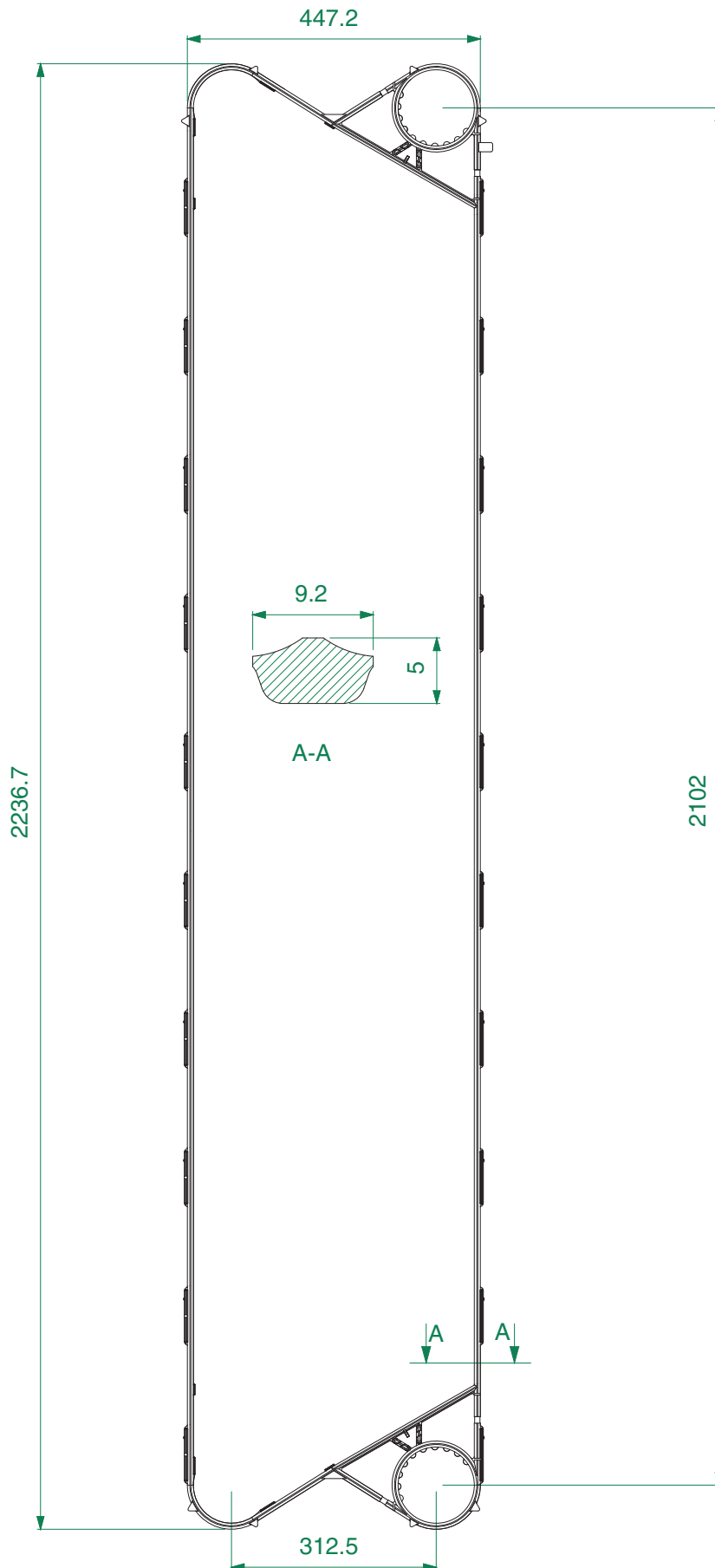
EXCHANGERS

ECHANGEURS

WÄRMEAUSTAUSCHER

INTERCAMBIADORES

Pos	Orobica Code	Model	Brand	Gasket Type	Q.ty
-	900.0482	SR 6 AA	APV	CHANNEL PLATE PARACLIP	-





EXCHANGERS

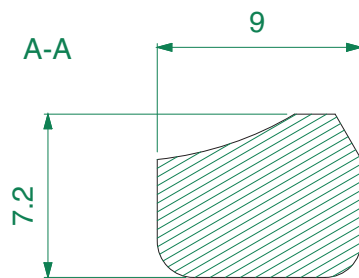
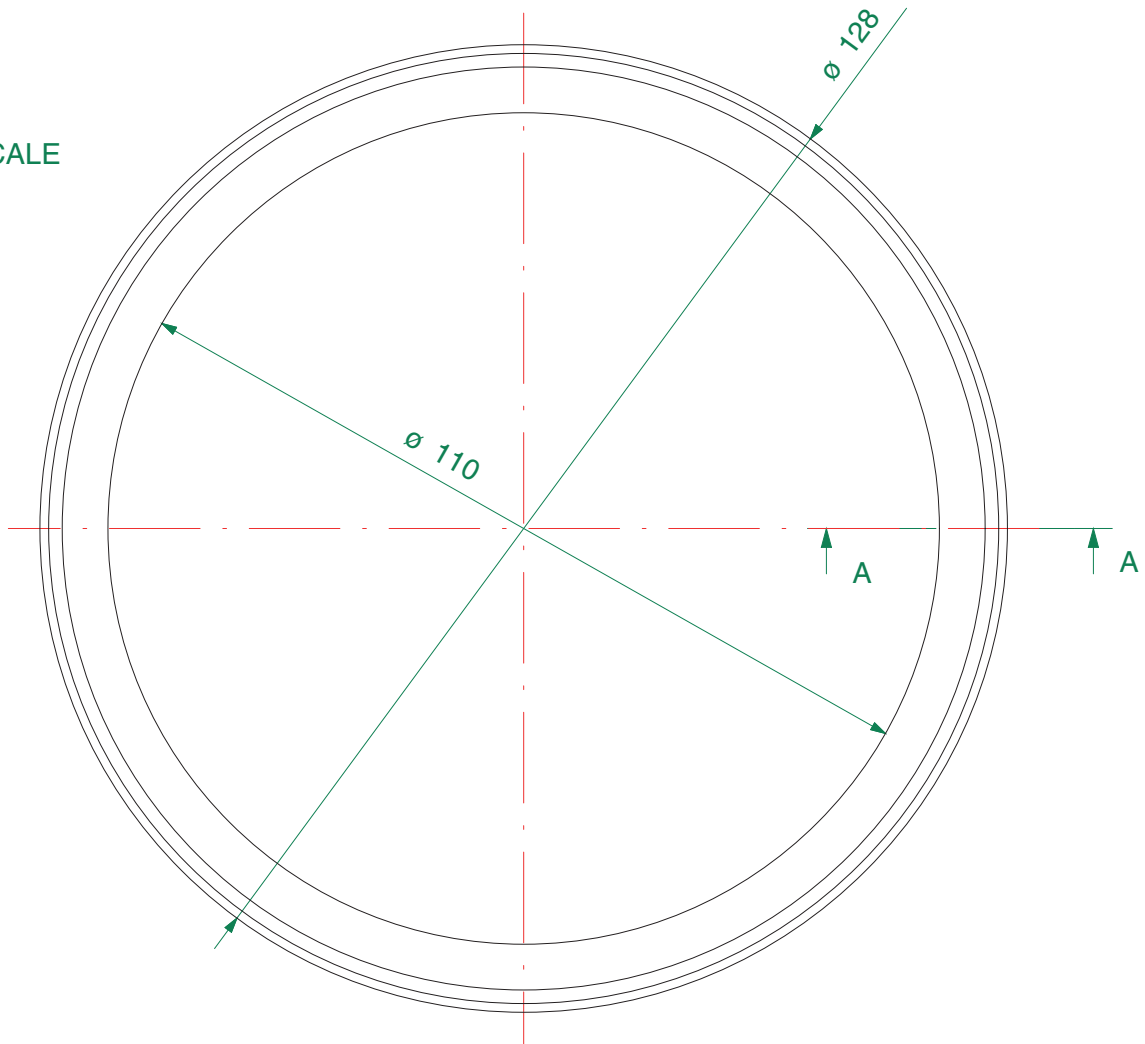
ECHANGEURS

WÄRMEAUSTAUSCHER

INTERCAMBIADORES

Pos	Orobica Code	Model	Brand	Gasket Type	Q.ty
-	900.0159	SR6 AA/AG/GL	APV	FRAME PORT RING GASKET	-

1:1 SCALE



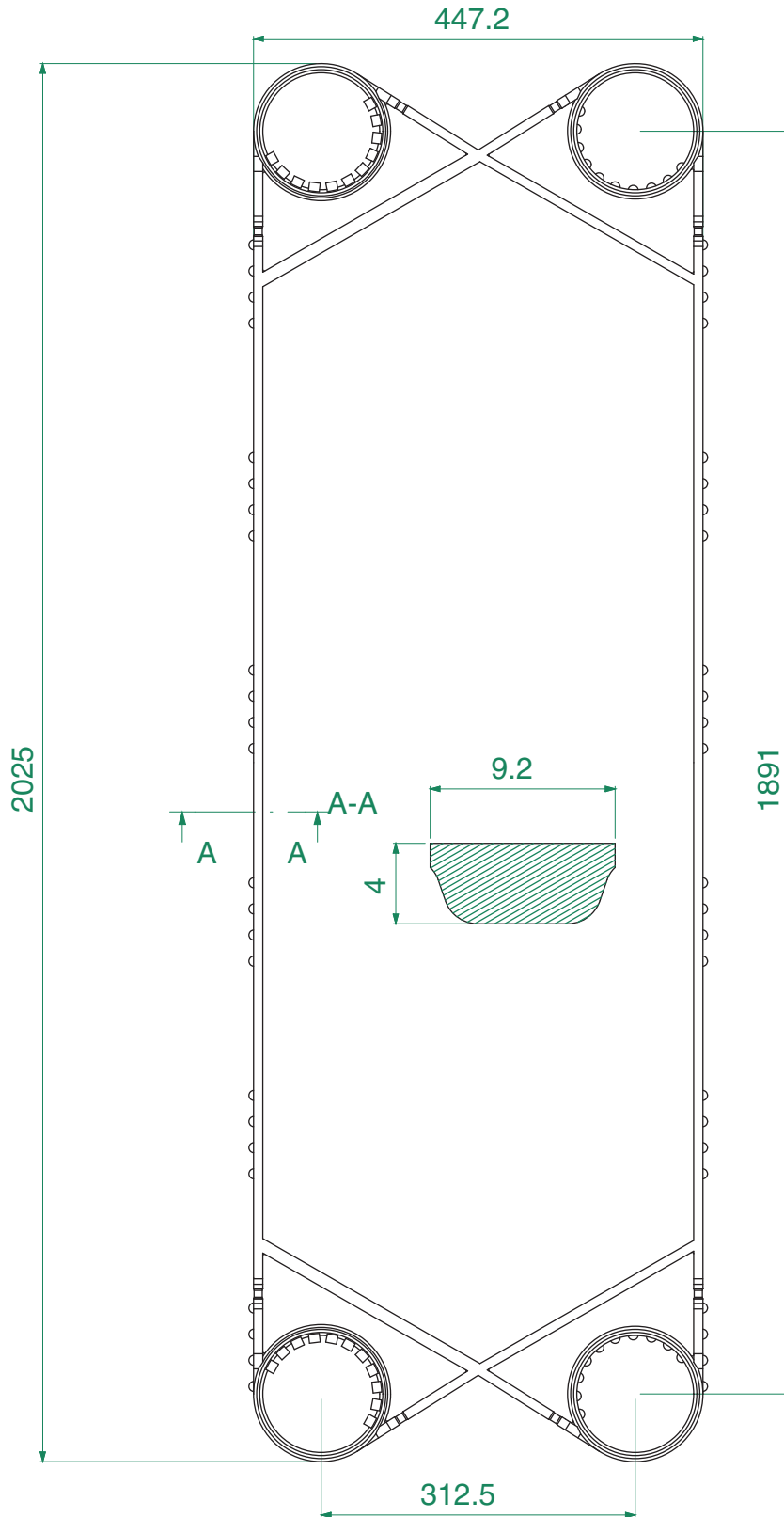
EXCHANGERS

ECHANGEURS

WÄRMEAUSTAUSCHER

INTERCAMBIADORES

Pos	Orobica Code	Model	Brand	Gasket Type	Q.ty
-	900.0433	SR6 AG	APV	ENDPLATE GASKET SET	-



WE OBTAIN THE ENDPLATE GASKET CUTTING TWO  
SR6 GL ENDPLATE OUR CODE 900.0096

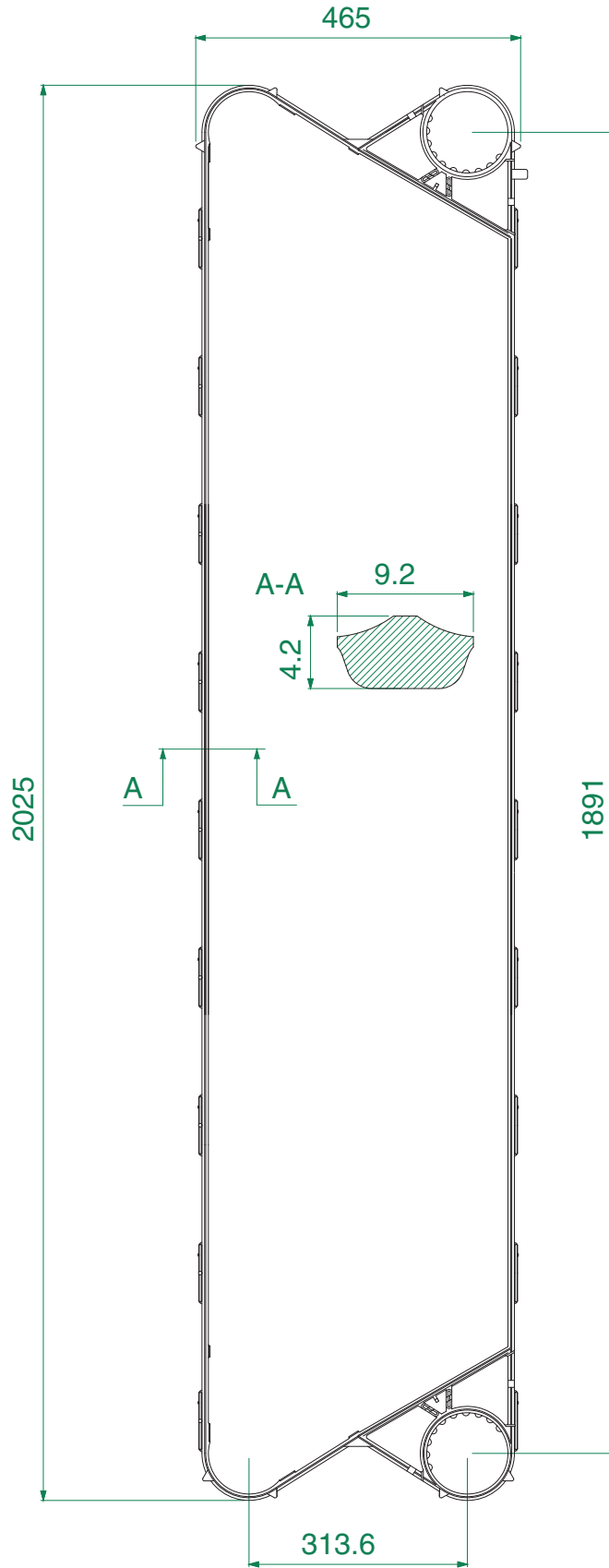
EXCHANGERS

ECHANGEURS

WÄRMEAUSTAUSCHER

INTERCAMBIADORES

Pos	Orobica Code	Model	Brand	Gasket Type	Q.ty
-	900.0407	SR6 AG	APV	GLUED FLOWPLATE GASKET	-



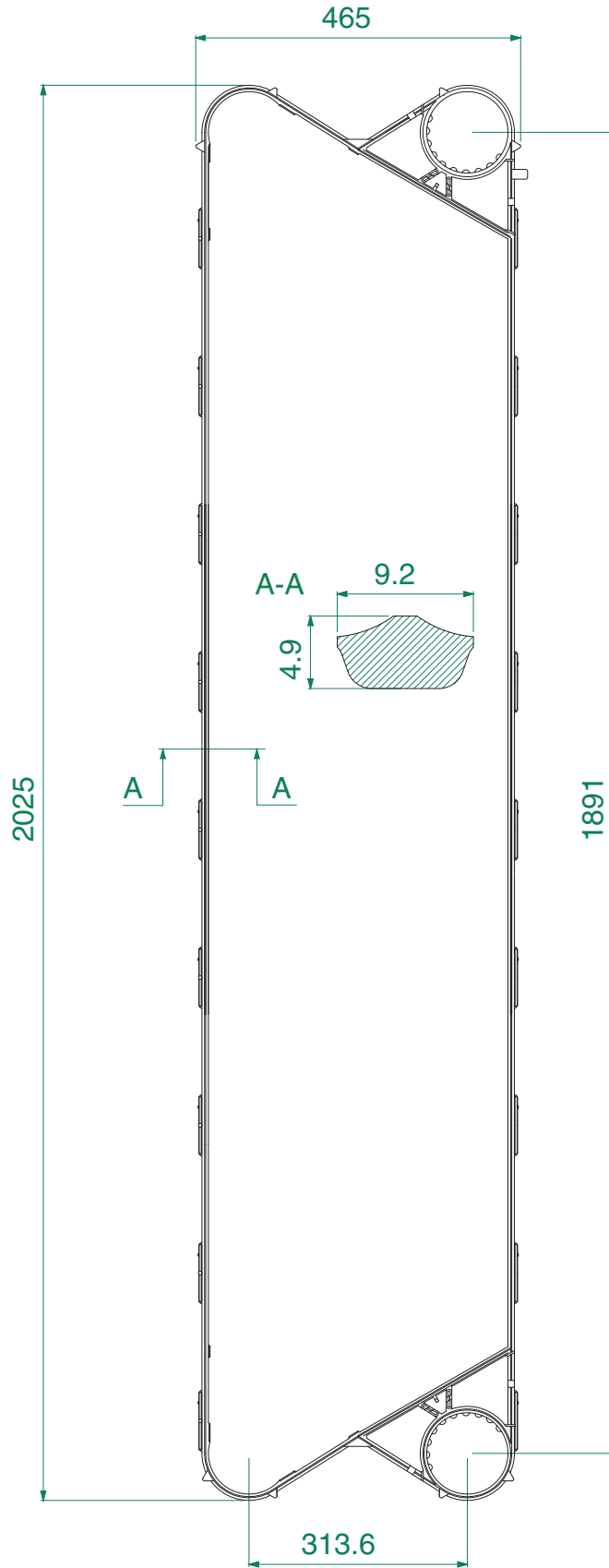
EXCHANGERS

ECHANGEURS

WÄRMEAUSTAUSCHER

INTERCAMBIADORES

Pos	Orobica Code	Model	Brand	Gasket Type	Q.ty
-	900.0093	SR6 AG	APV	PARACLIP FLOWPLATE GASKET	-



EXCHANGERS

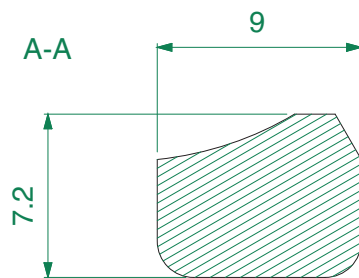
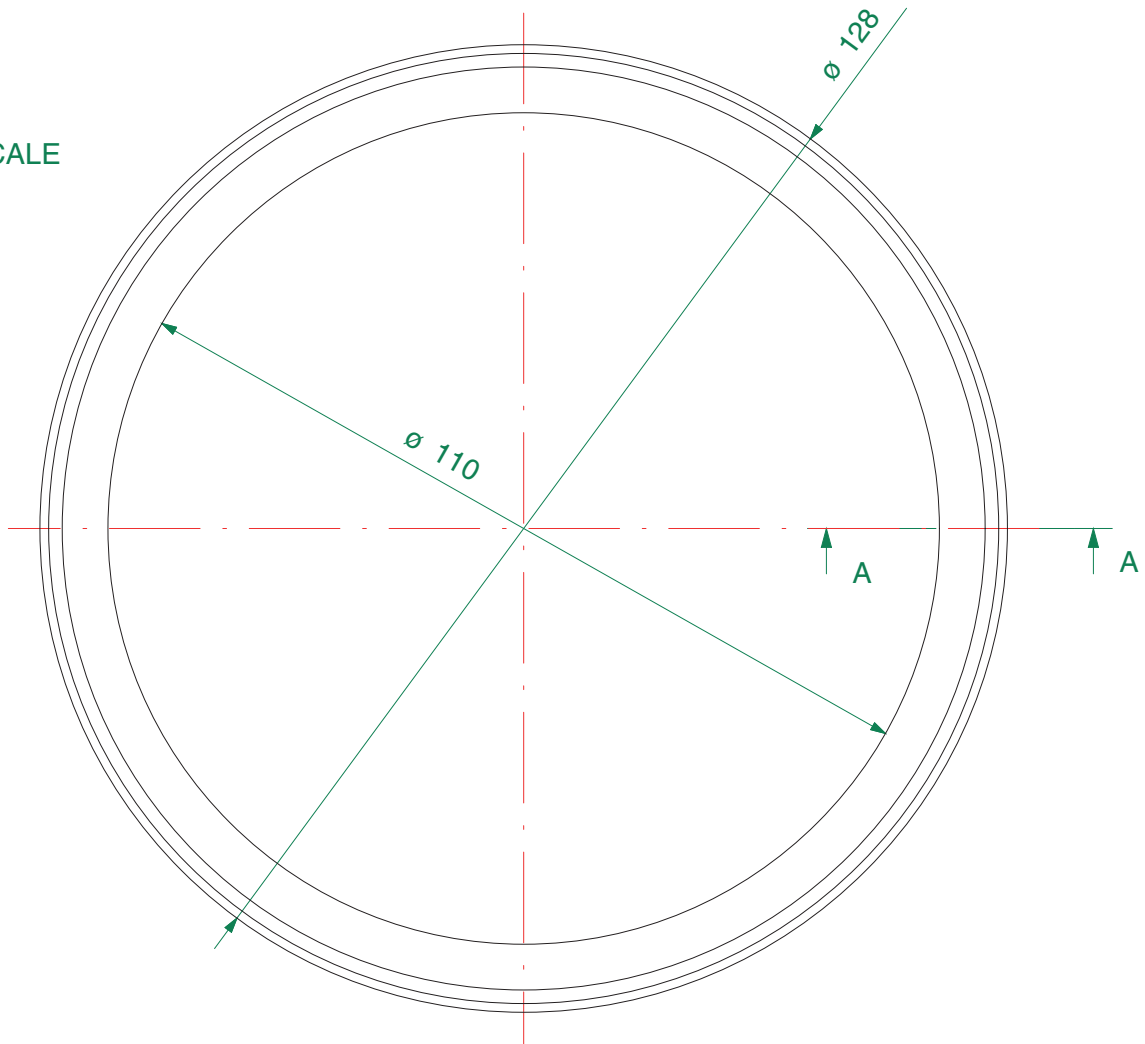
ECHANGEURS

WÄRMEAUSTAUSCHER

INTERCAMBIADORES

Pos	Orobica Code	Model	Brand	Gasket Type	Q.ty
-	900.0159	SR6 AA/AG/GL	APV	FRAME PORT RING GASKET	-

1:1 SCALE



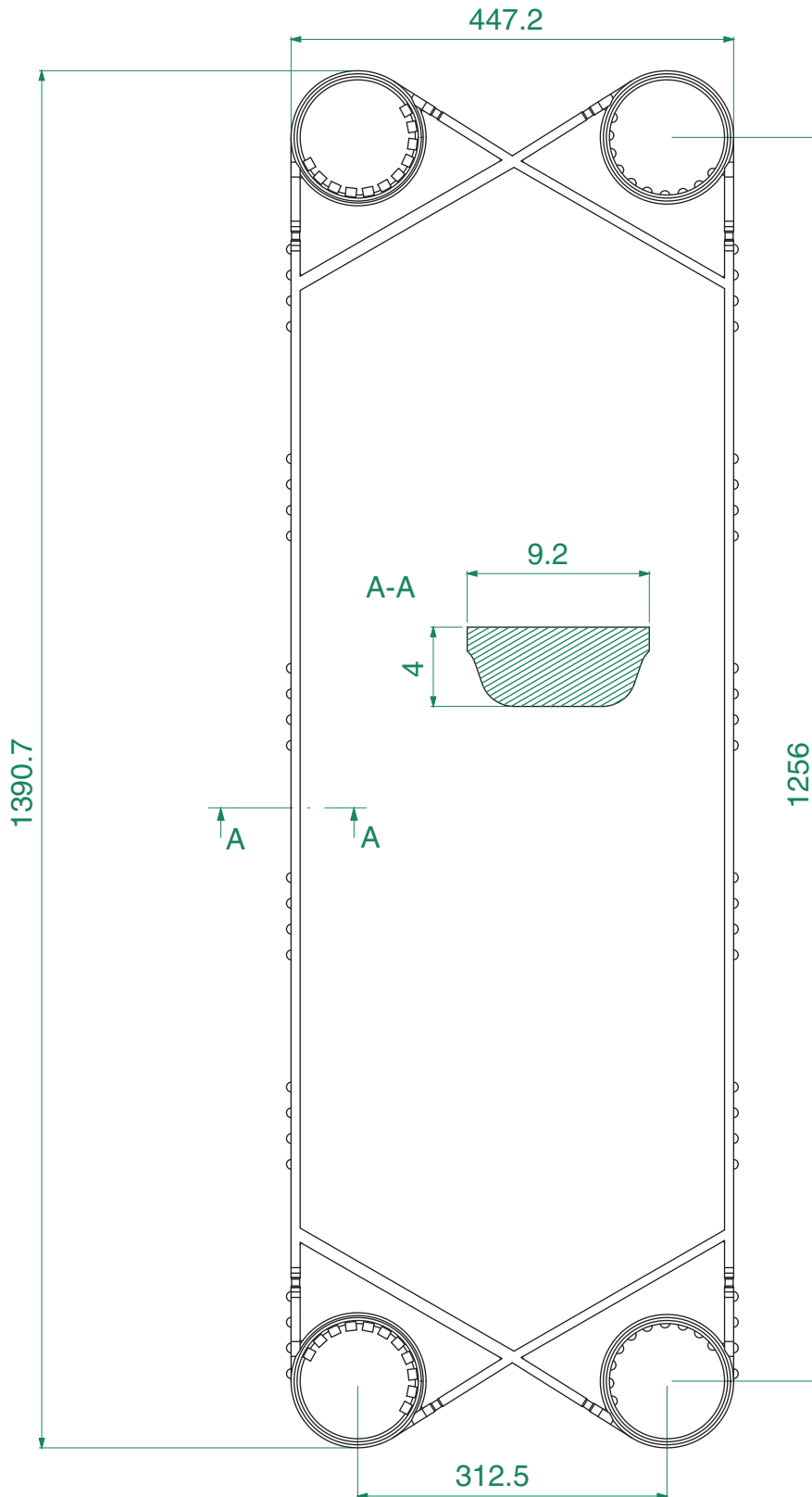
EXCHANGERS

ECHANGEURS

WÄRMEAUSTAUSCHER

INTERCAMBIADORES

Pos	Orobica Code	Model	Brand	Gasket Type	Q.ty
-	900.0096	SR6 GL	APV	ENDPLATE GASKET	-



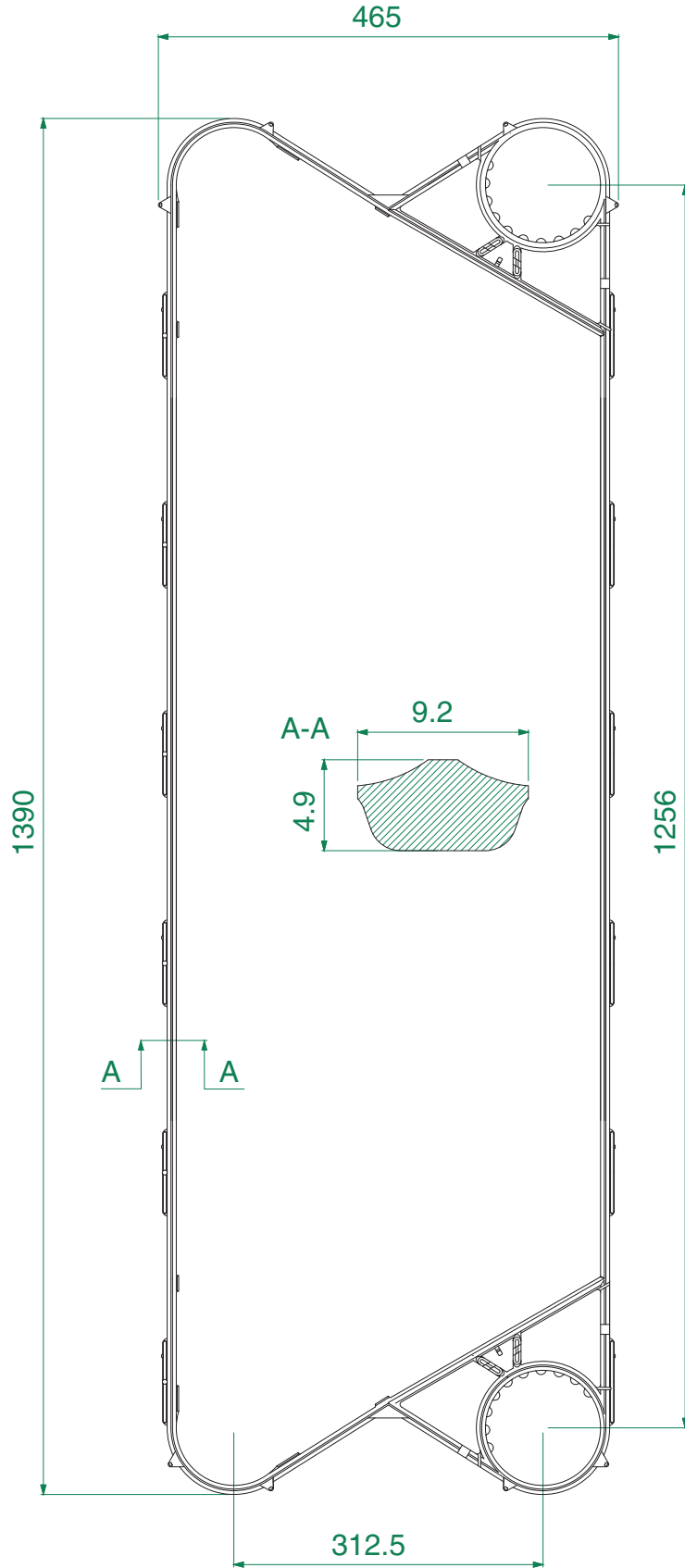
EXCHANGERS

ECHANGEURS

WÄRMEAUSTAUSCHER

INTERCAMBIADORES

Pos	Orobica Code	Model	Brand	Gasket Type	Q.ty
-	900.00922	SR6 GL	APV	GLUED FLOW PLATE GASKET	-



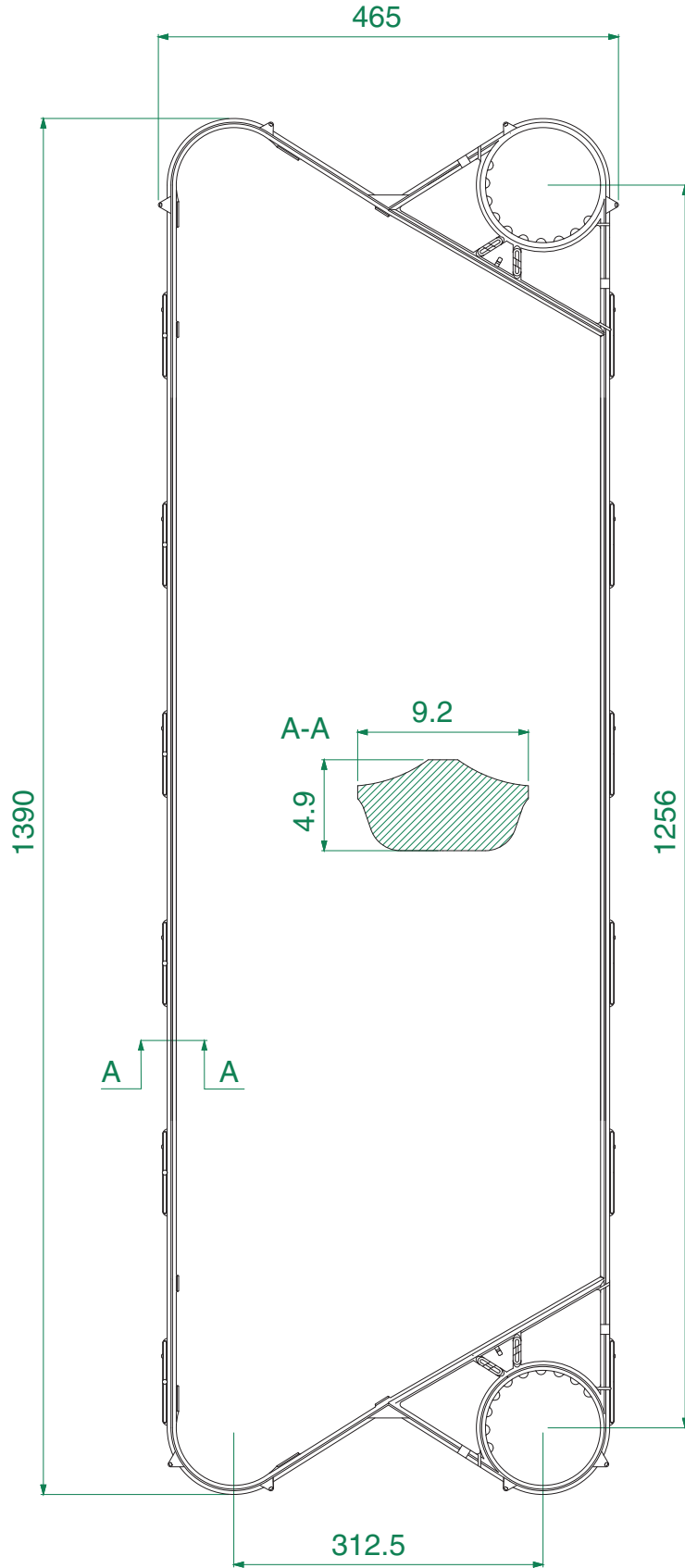
EXCHANGERS

ECHANGEURS

WÄRMEAUSTAUSCHER

INTERCAMBIADORES

Pos	Orobica Code	Model	Brand	Gasket Type	Q.ty
-	900.0092	SR6 GL	APV	PARACLIP FLOWPLATE GASKET	-





EXCHANGERS

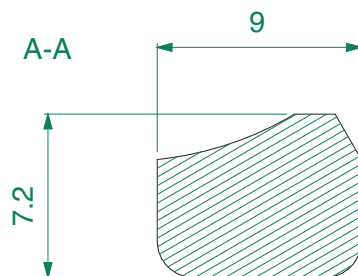
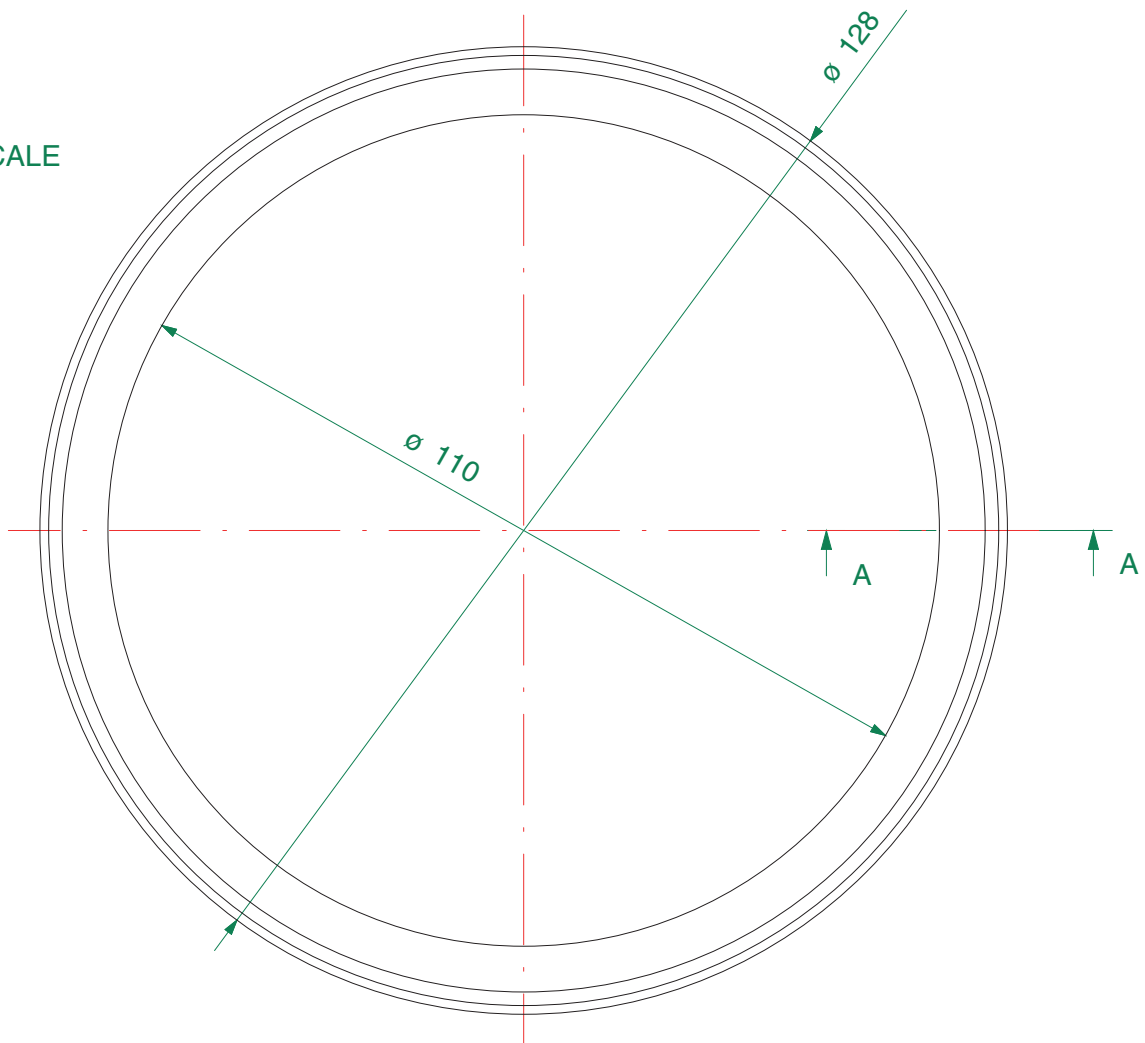
ECHANGEURS

WÄRMEAUSTAUSCHER

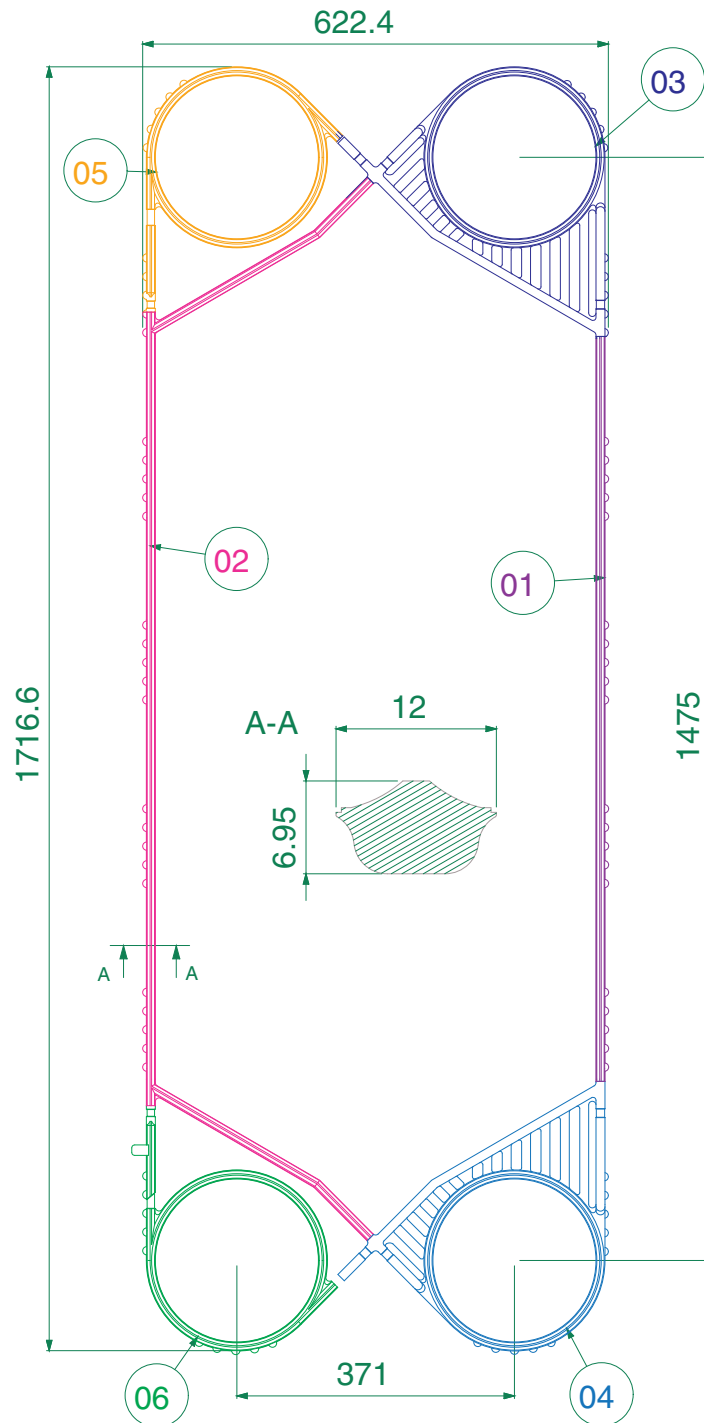
INTERCAMBIADORES

Pos	Orobica Code	Model	Brand	Gasket Type	Q.ty
-	900.0159	SR6 AA/AG/GL	APV	FRAME PORT RING GASKET	-

1:1 SCALE



EXCHANGERS	ECHANGEURS	WÄRMEAUSTAUSCHER	INTERCAMBIADORES		
Pos	Orobica Code	Model	Brand	Gasket Type	Q.ty
1-6	900.0287	SR9	APV	MULTI-PIECE ENDPLATE GASKET	01
01	900.0288	SR9	APV	DOWN CONNECTION GASKET	01
02	900.0289	SR9	APV	UPPER CONNECTION GASKET	01
03	900.0290	SR9	APV	RIGHT CORNER GASKET	01
04	900.0291	SR9 <td APV	LEFT CORNER GASKET	01	
05	900.0292	SR9	APV	RIGHT PORT RING GASKET	01
06	900.0293	SR9	APV	LEFT PORT RING GASKET	01



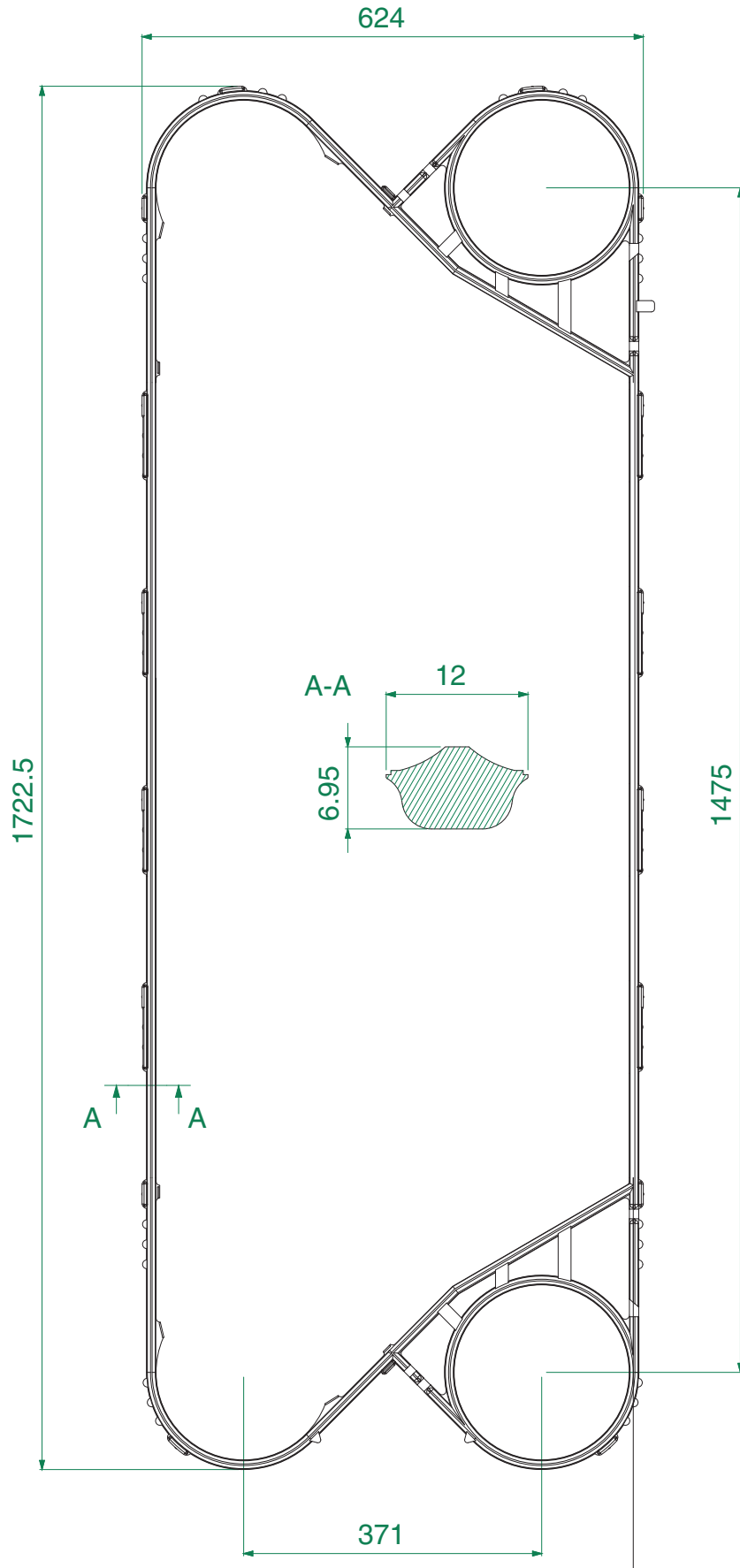
EXCHANGERS

ECHANGEURS

WÄRMEAUSTAUSCHER

INTERCAMBIADORES

Pos	Orobica Code	Model	Brand	Gasket Type	Q.ty
-	900.0408	SR9	APV	GLUED FLOWPLATE GASKET	-



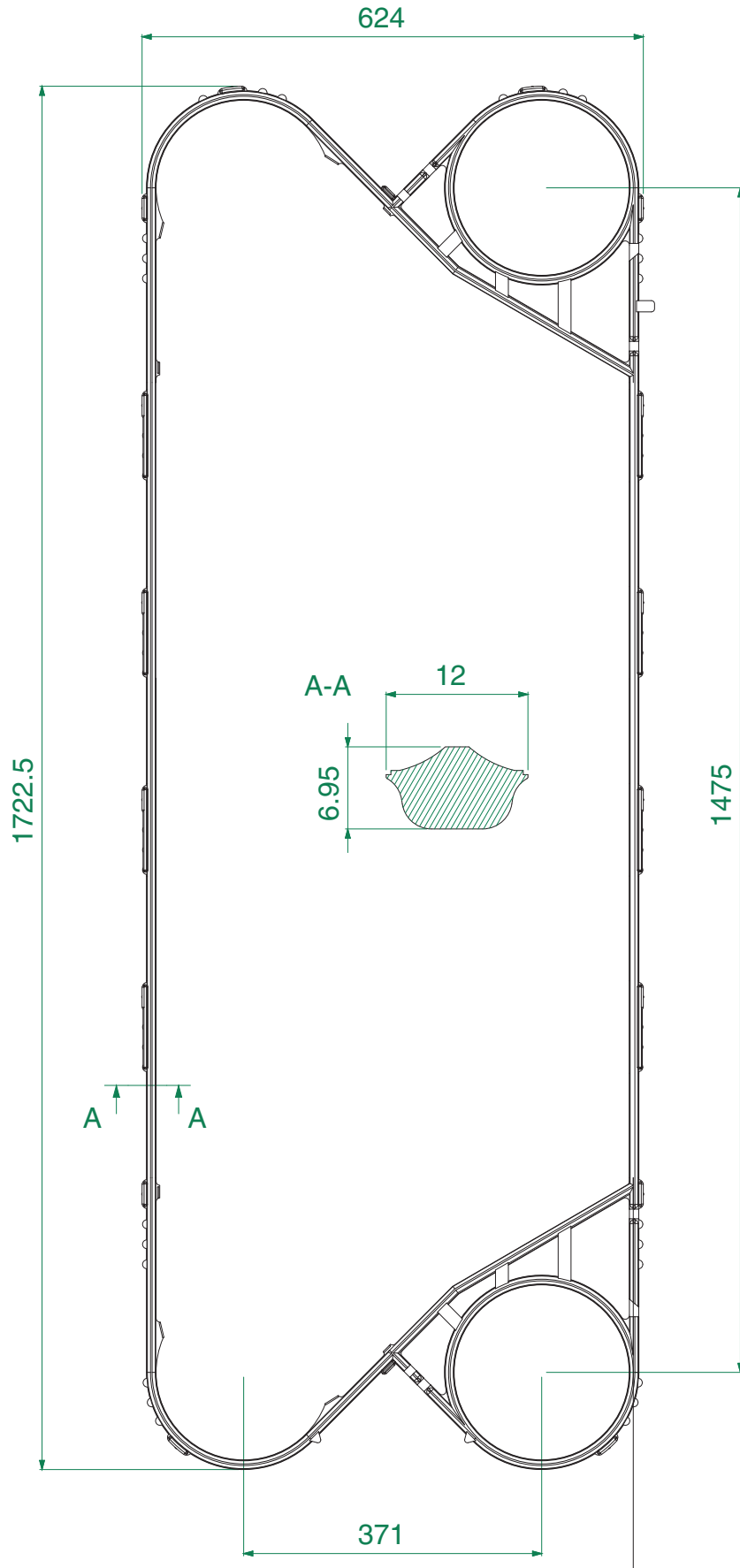
EXCHANGERS

ECHANGEURS

WÄRMEAUSTAUSCHER

INTERCAMBIADORES

Pos	Orobica Code	Model	Brand	Gasket Type	Q.ty
-	900.0286	SR9	APV	PARACLIP FLOWPLATE GASKET	-



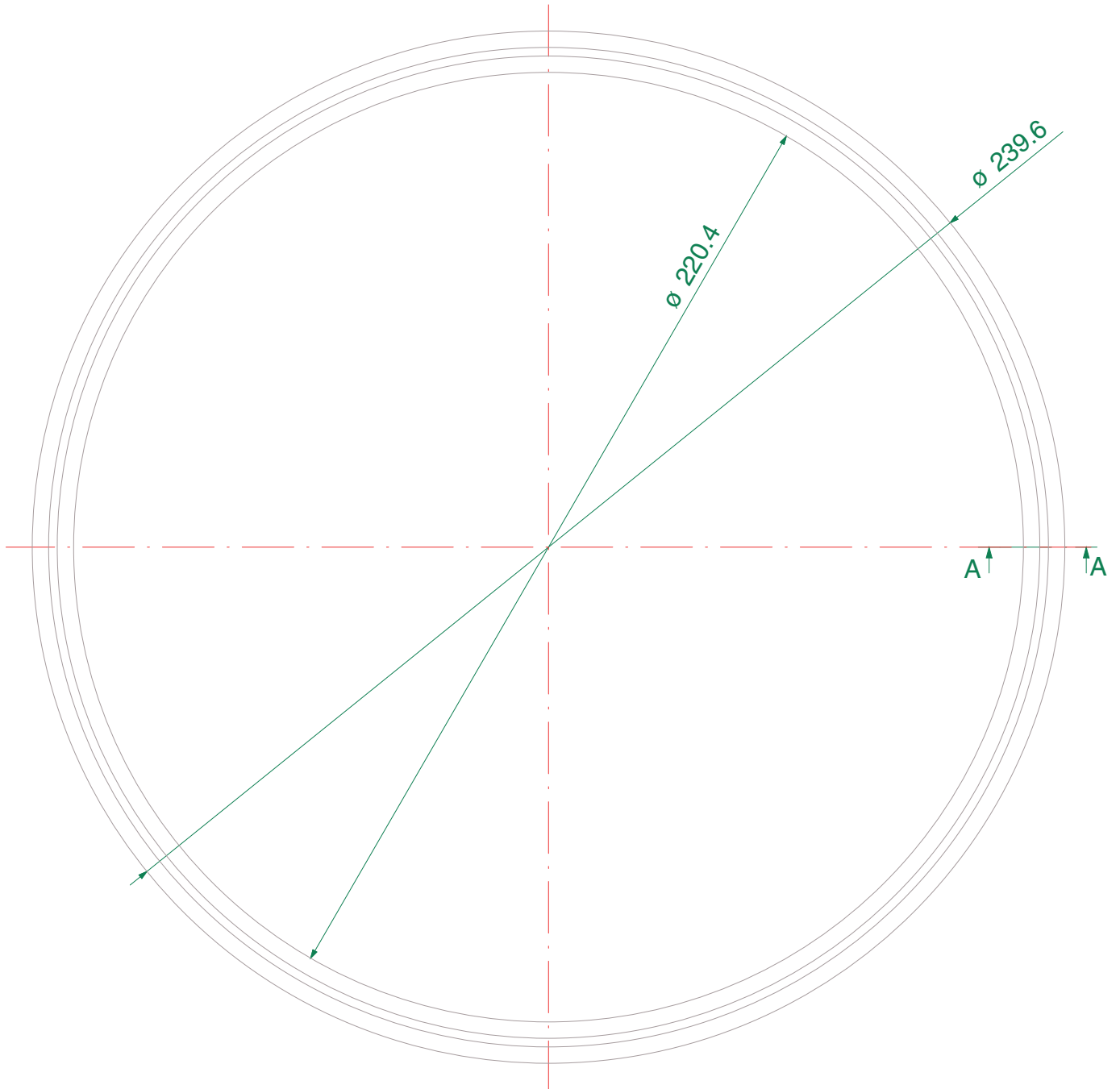
EXCHANGERS

ECHANGEURS

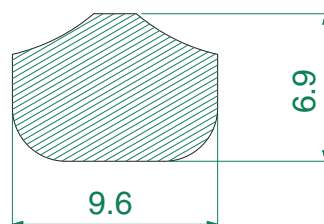
WÄRMEAUSTAUSCHER

INTERCAMBIADORES

Pos	Orobica Code	Model	Brand	Gasket Type	Q.ty
-	900.0545	SR9	APV	PORT-RING GASKET H=6.9	-



Sezione A-A



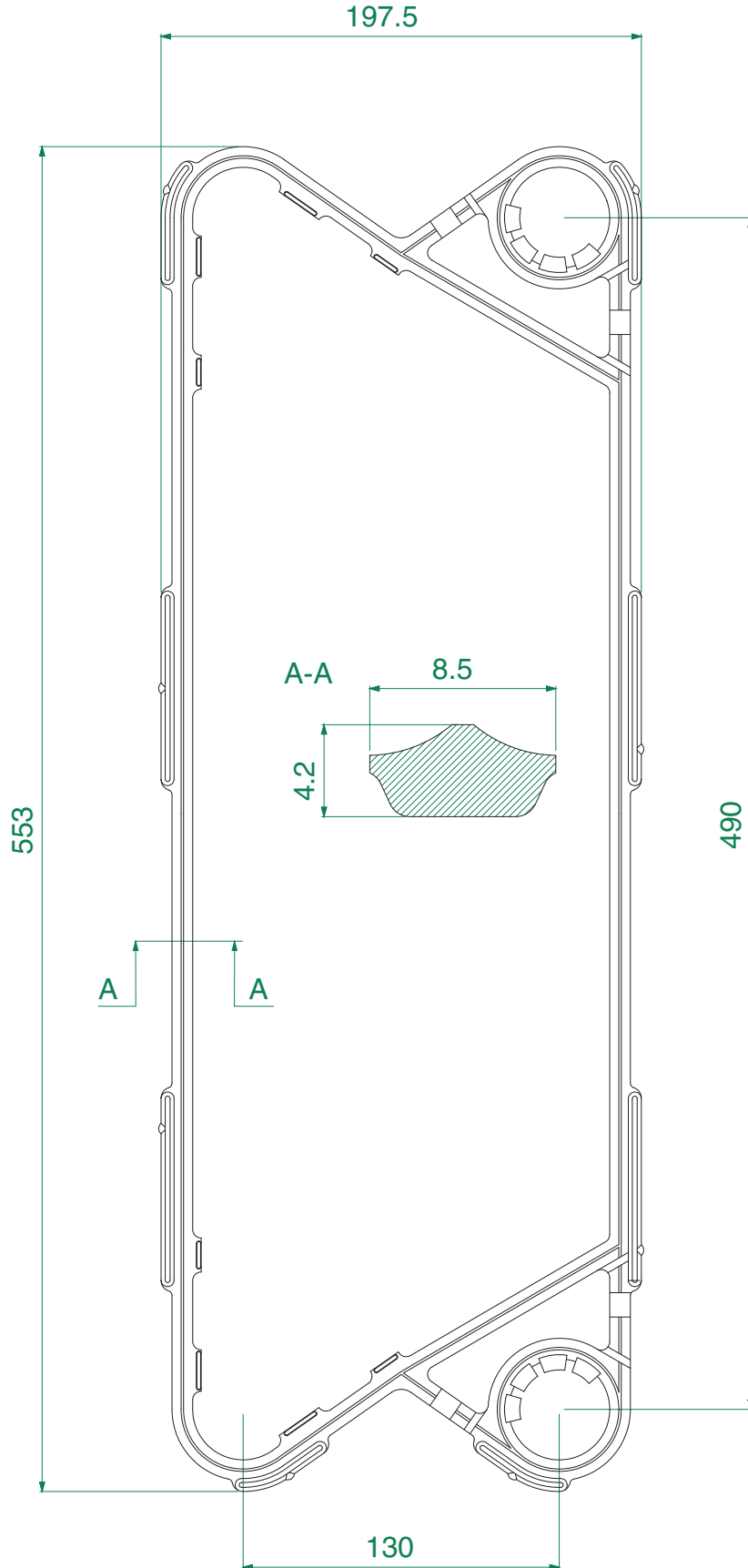
EXCHANGERS

ECHANGEURS

WÄRMEAUSTAUSCHER

INTERCAMBIADORES

Pos	Orobica Code	Model	Brand	Gasket Type	Q.ty
-	900.00421	SR1-SR10	APV	GLUED FLOWPLATE GASKET	-



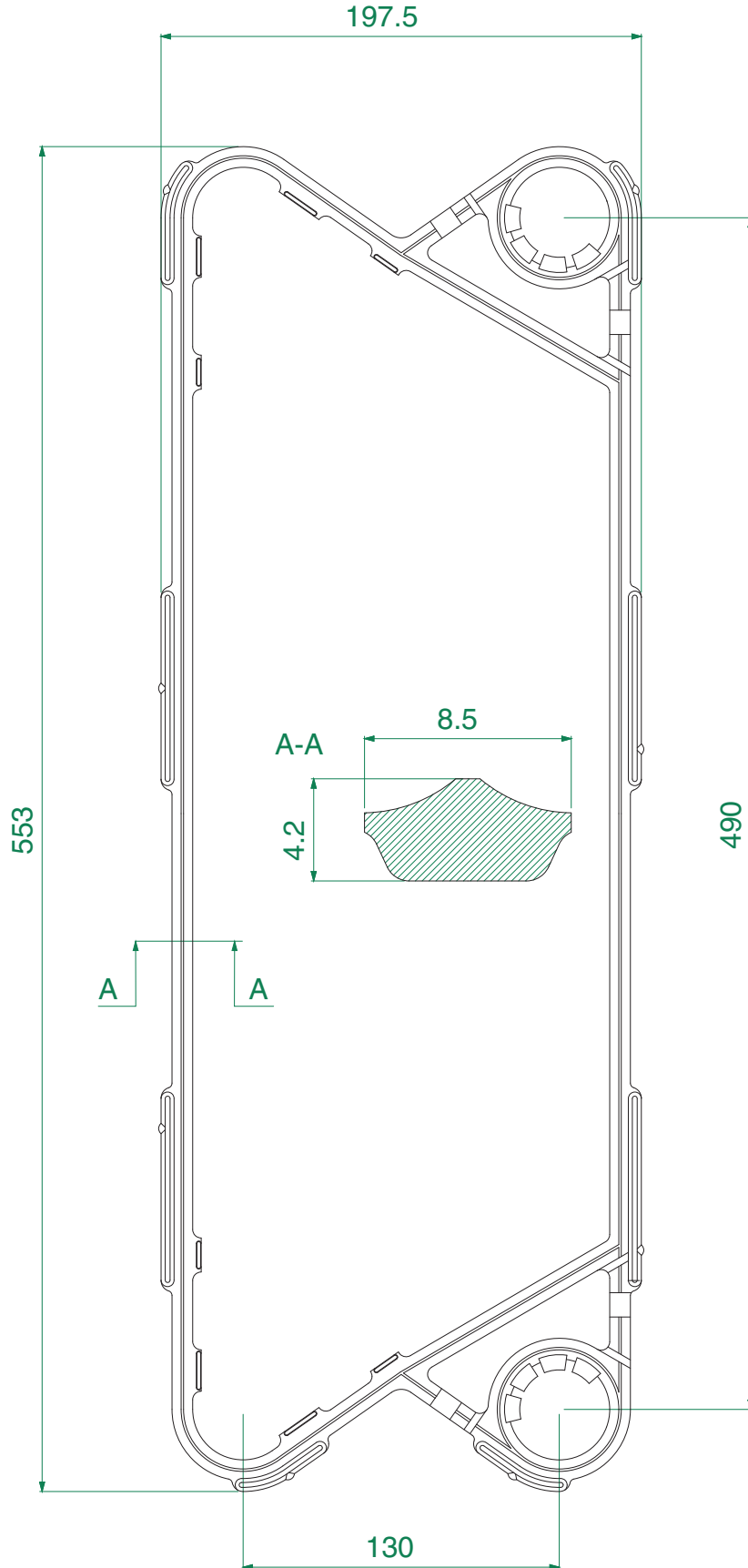
EXCHANGERS

ECHANGEURS

WÄRMEAUSTAUSCHER

INTERCAMBIADORES

Pos	Orobica Code	Model	Brand	Gasket Type	Q.ty
-	900.0042	SR1-SR10	APV	PARACLIP FLOWPLATE GASKET	-



EXCHANGERS

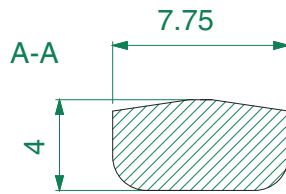
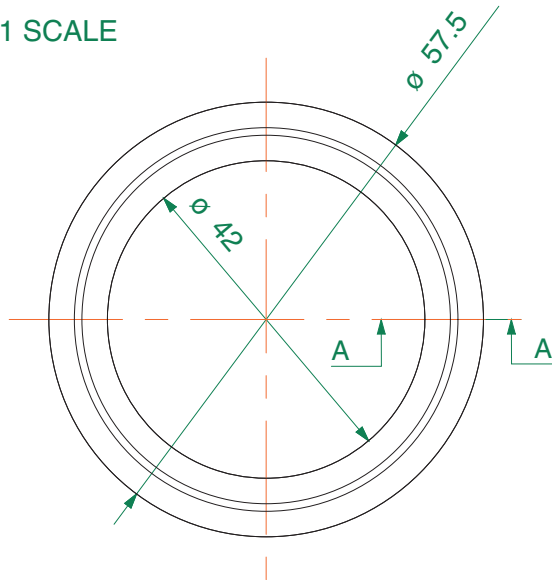
ECHANGEURS

WÄRMEAUSTAUSCHER

INTERCAMBIADORES

Pos	Orobica Code	Model	Brand	Gasket Type	Q.ty
-	900.0043	SR1-SR10	APV	FRAME PORT RING GASKET	-

1:1 SCALE





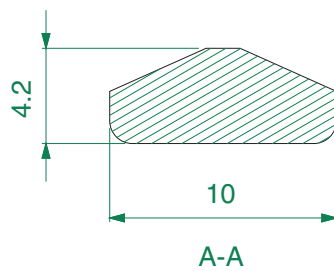
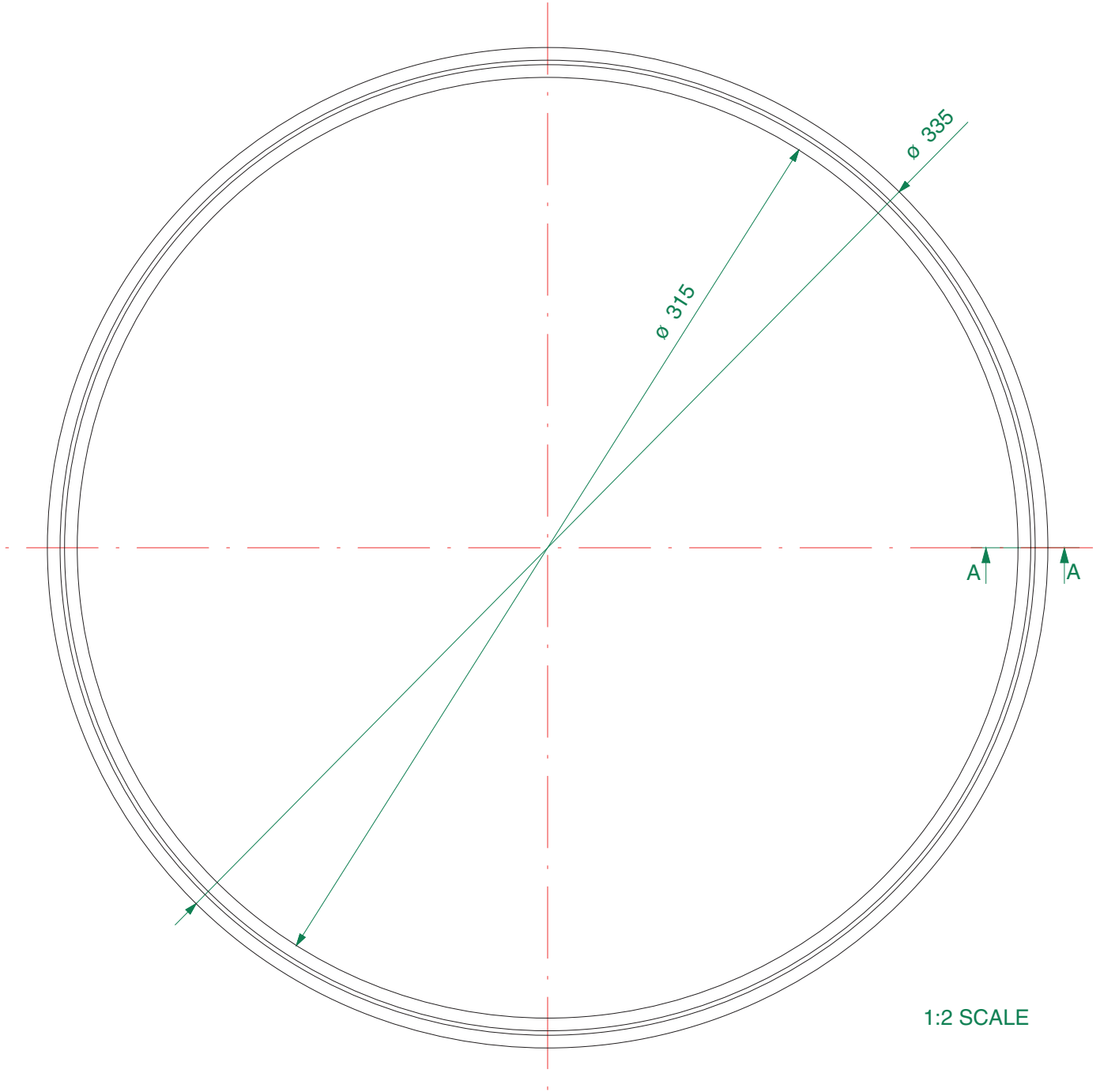
EXCHANGERS

ECHANGEURS

WÄRMEAUSTAUSCHER

INTERCAMBIADORES

Pos	Orobica Code	Model	Brand	Gasket Type	Q.ty
-	900.0487	SR14	APV	FRAME PORT-RING SR14	-



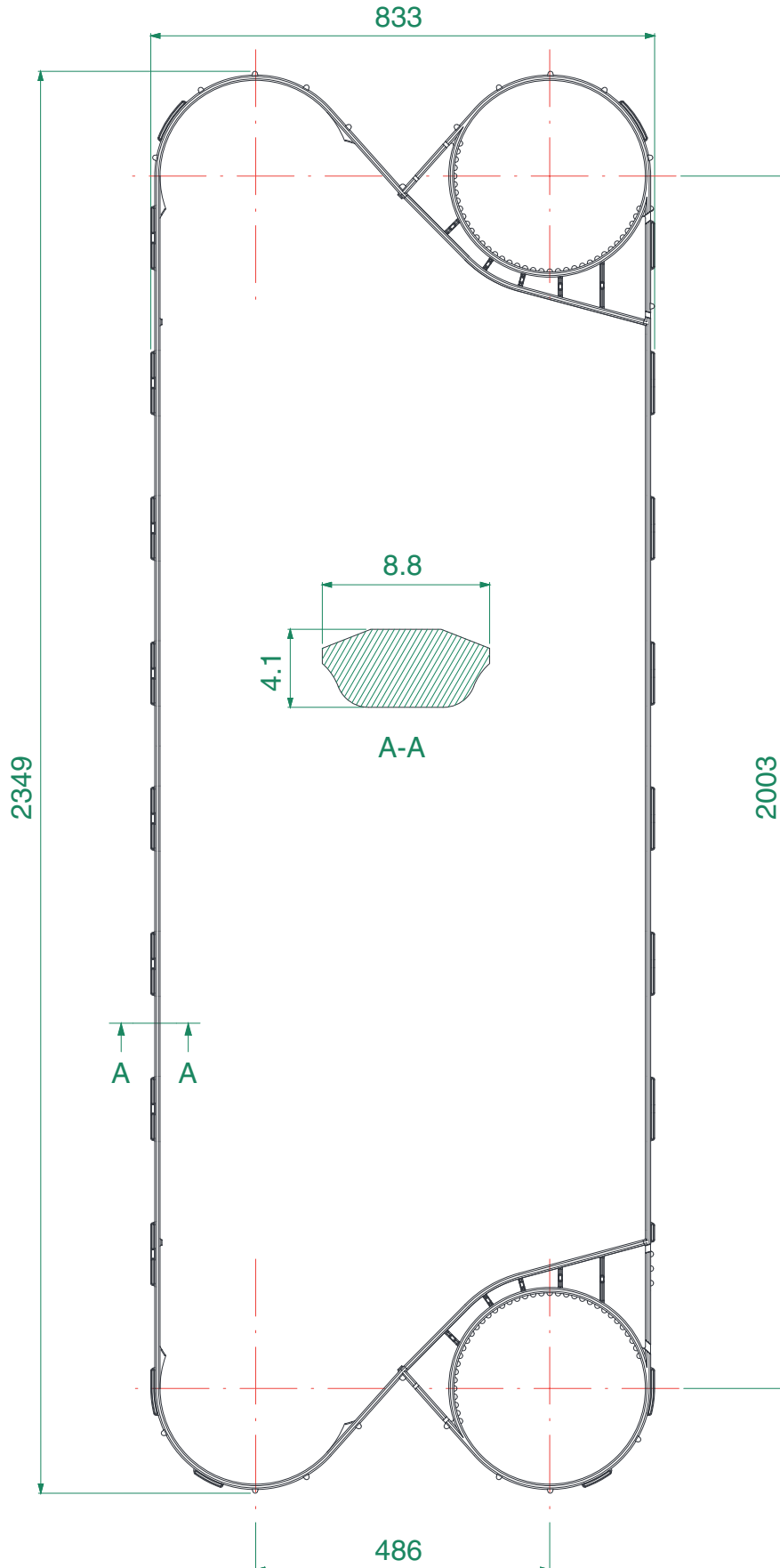
EXCHANGERS

ECHANGEURS

WÄRMEAUSTAUSCHER

INTERCAMBIADORES

Pos	Orobica Code	Model	Brand	Gasket Type	Q.ty
-	900.0587	SR14 AD	APV	PARACLIP FLOWPLATE GASKET HIGH PRESSURE SECTION	-



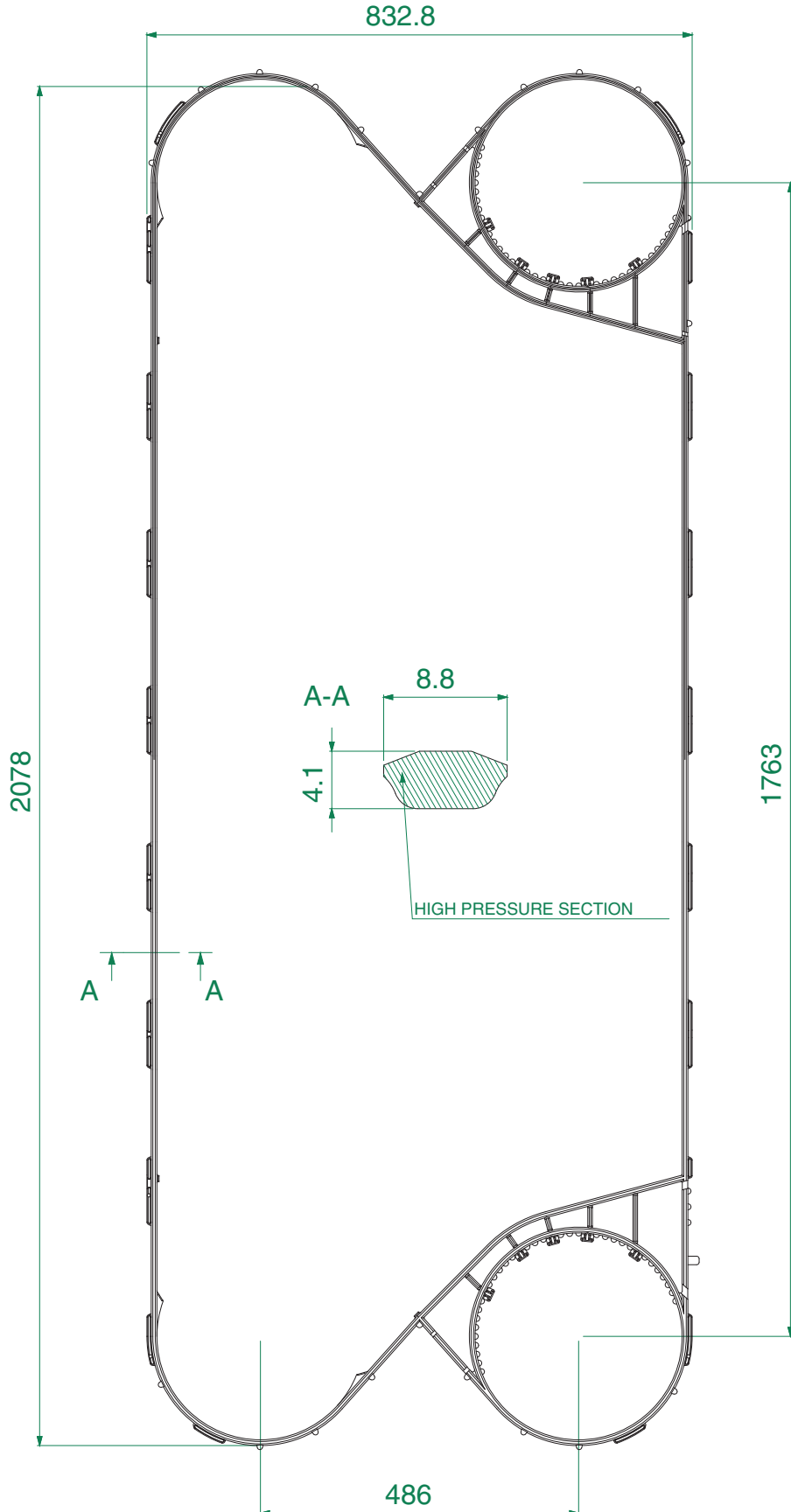
EXCHANGERS

ECHANGEURS

WÄRMEAUSTAUSCHER

INTERCAMBIADORES

Pos	Orobica Code	Model	Brand	Gasket Type	Q.ty
-	900.0486	SR14 AH	APV	GLUED FLOWPLATE GASKET HIGH PRESSURE SECTION	-



GASKET OBTAINED CUTTING THE COUPLING PINS

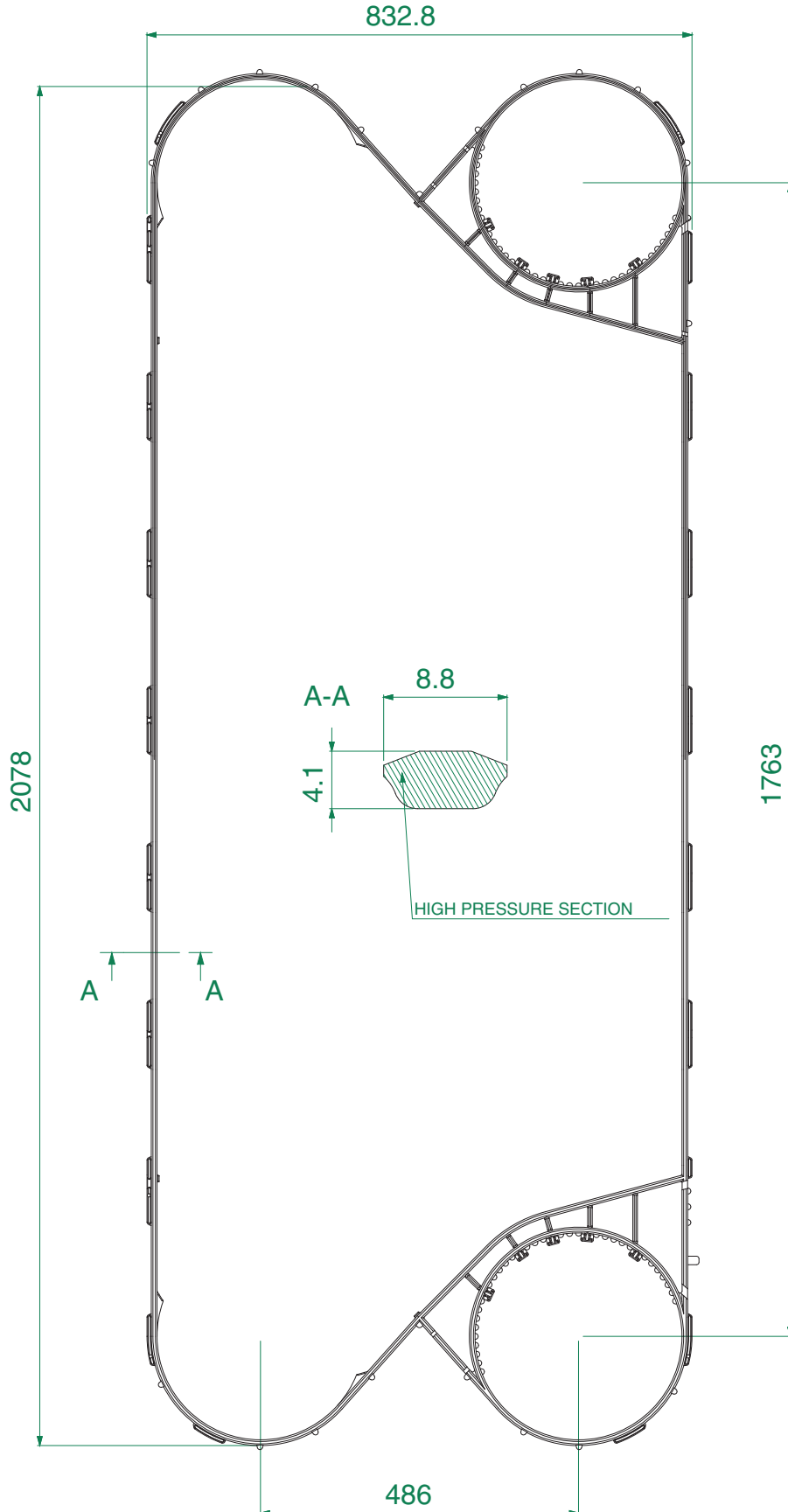
EXCHANGERS

ECHANGEURS

WÄRMEAUSTAUSCHER

INTERCAMBIADORES

Pos	Orobica Code	Model	Brand	Gasket Type	Q.ty
-	900.0315	SR14 AH	APV	PARACLIP FLOWPLATE GASKET HIGH PRESSURE SECTION	-



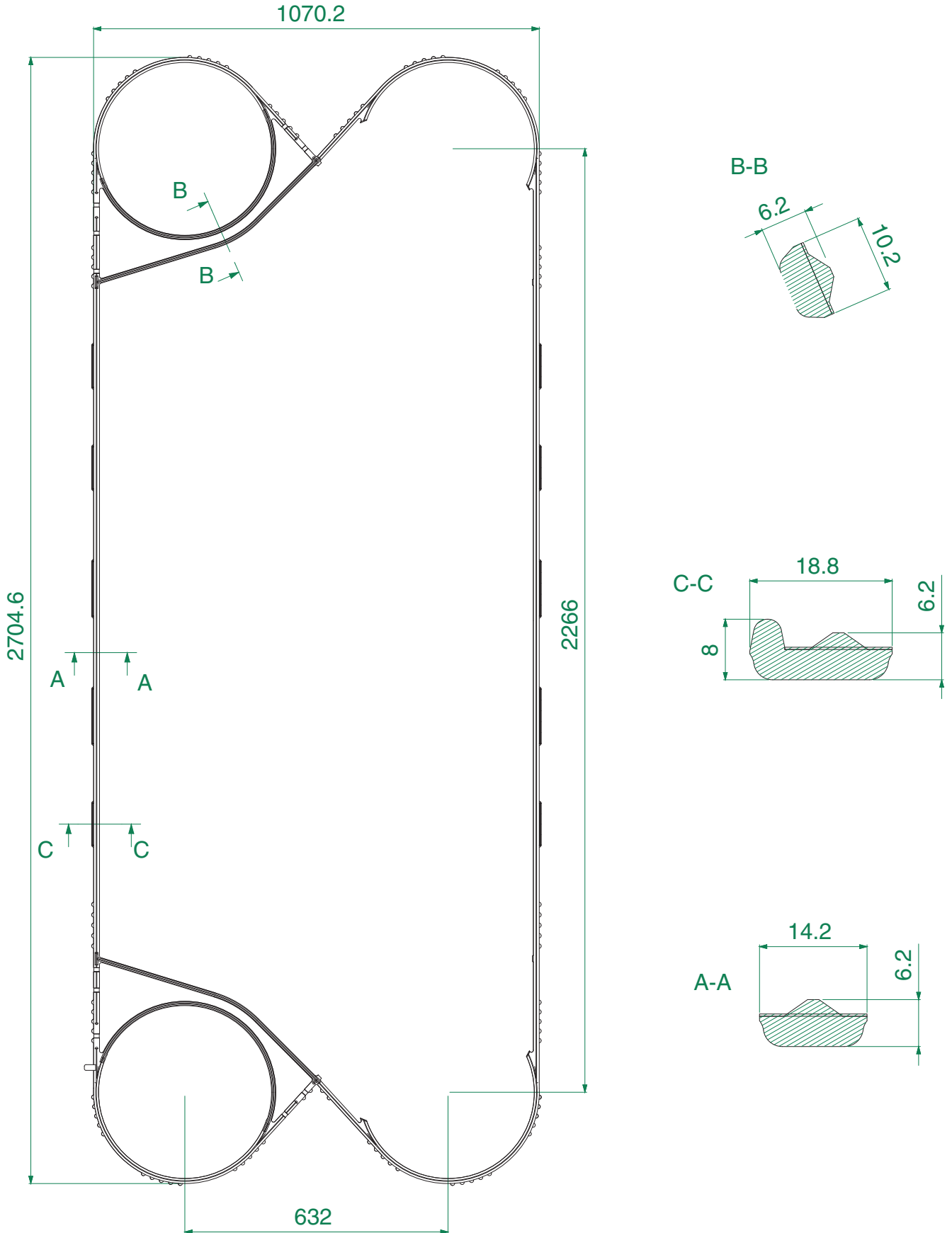
EXCHANGERS

ECHANGEURS

WÄRMEAUSTAUSCHER

INTERCAMBIADORES

Pos	Orobica Code	Model	Brand	Gasket Type	Q.ty
-	900.0459	SR23PV	APV	FLOWPLATE GASKET GLUED	-



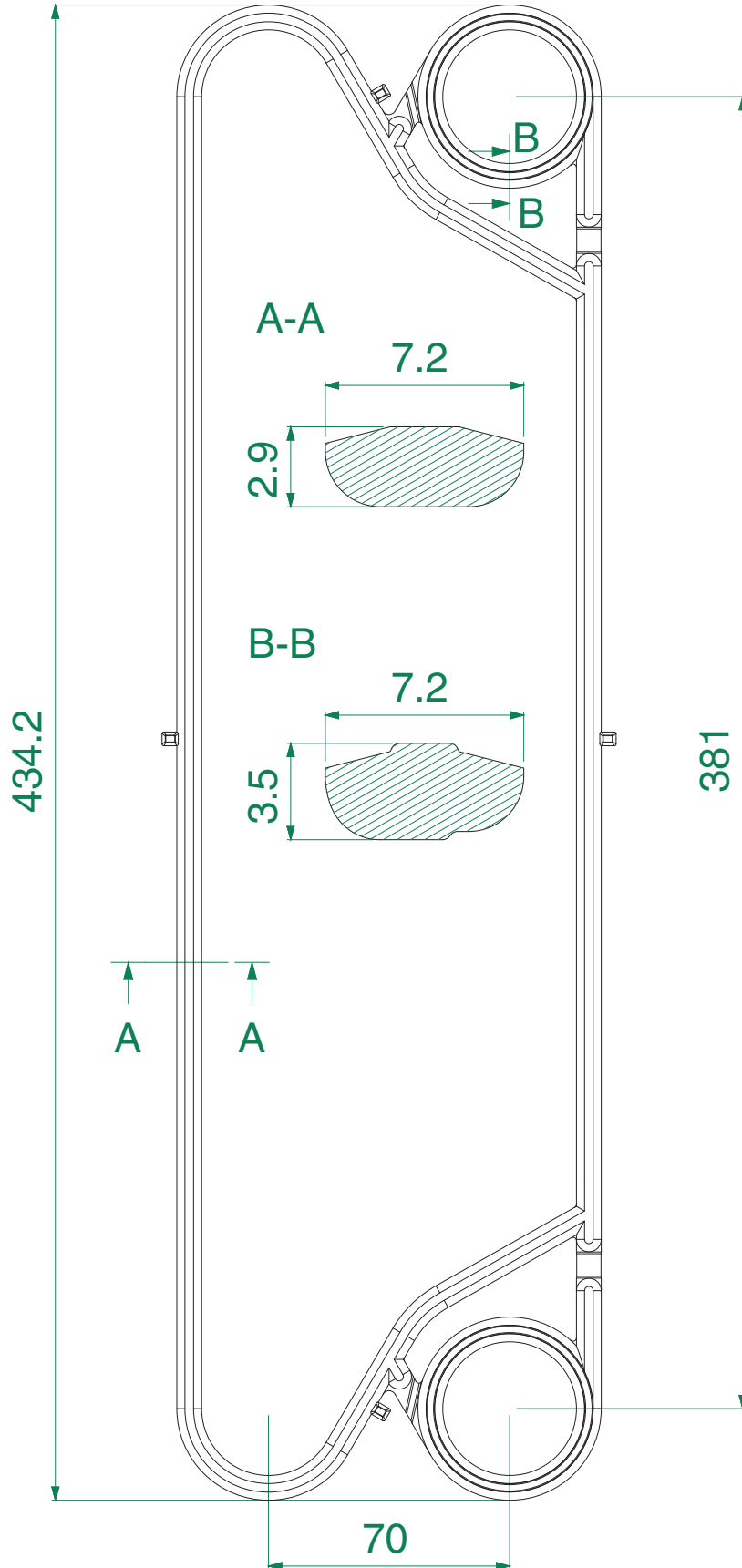
EXCHANGERS

ECHANGEURS

WÄRMEAUSTAUSCHER

INTERCAMBIADORES

Pos	Orobica Code	Model	Brand	Gasket Type	Q.ty
-	900.0416	T4	APV	DUO SAFETY FLOW GASKET	-



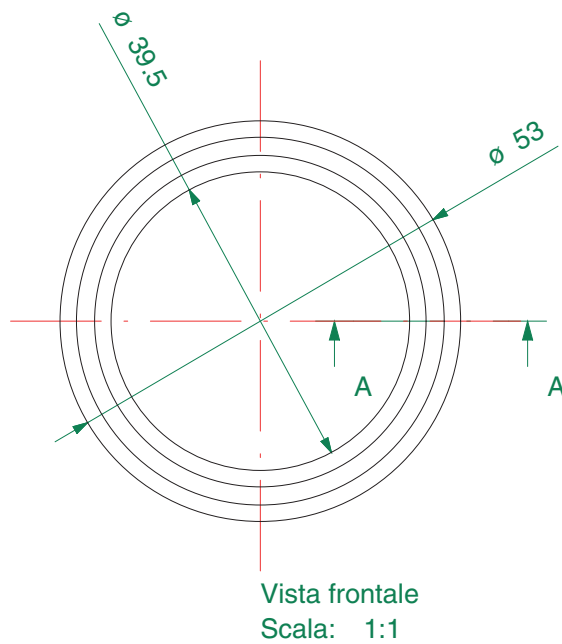
EXCHANGERS

ECHANGEURS

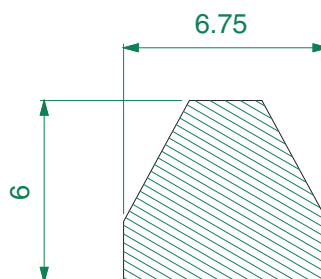
WÄRMEAUSTAUSCHER

INTERCAMBIADORES

Pos	Orobica Code	Model	Brand	Gasket Type	Q.ty
-	900.0417	T4	APV	PORT RING GASKET	-



Sezione A-A  
Scala: 4:1



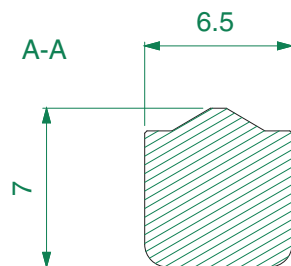
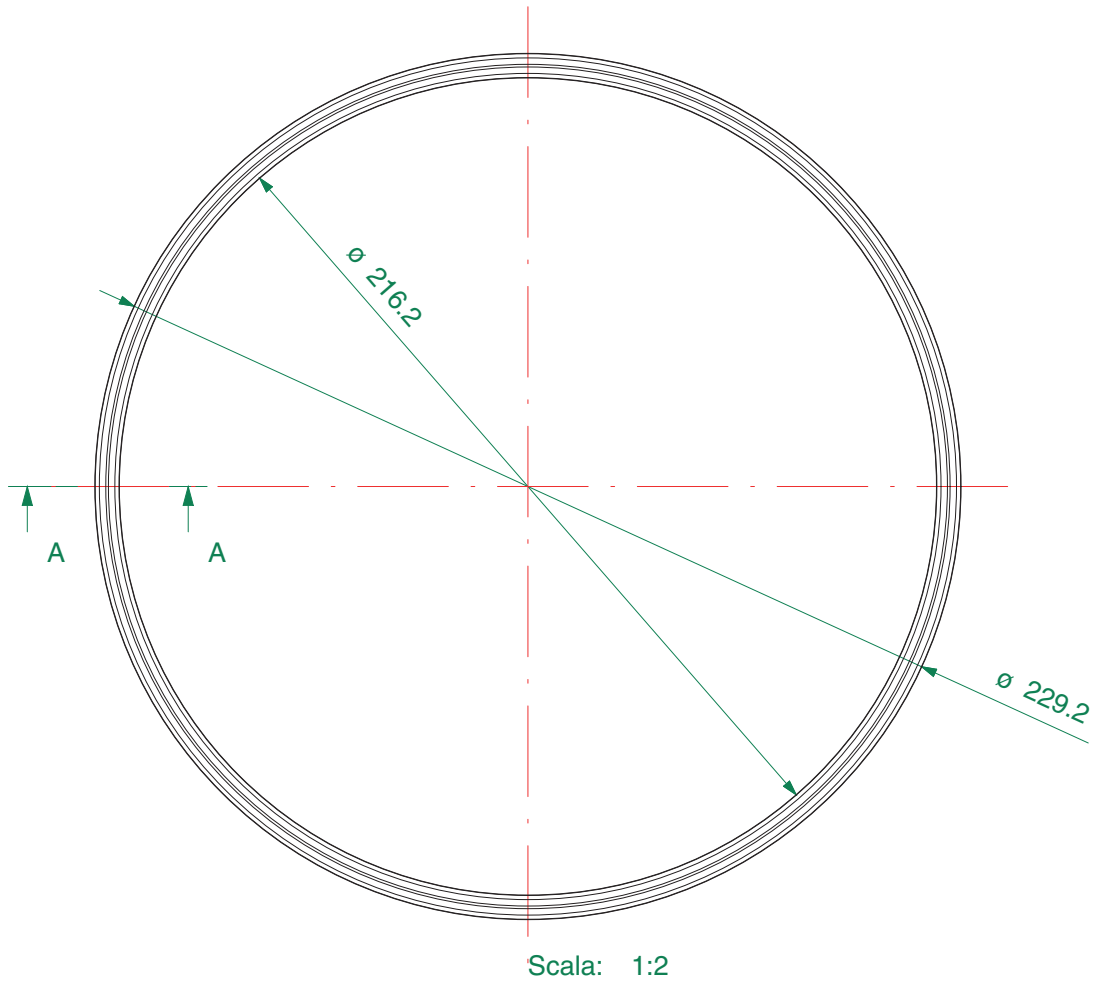
EXCHANGERS

ECHANGEURS

WÄRMEAUSTAUSCHER

INTERCAMBIADORES

Pos	Orobica Code	Model	Brand	Gasket Type	Q.ty
-	900.0456	TR9	APV	PORT RING	-





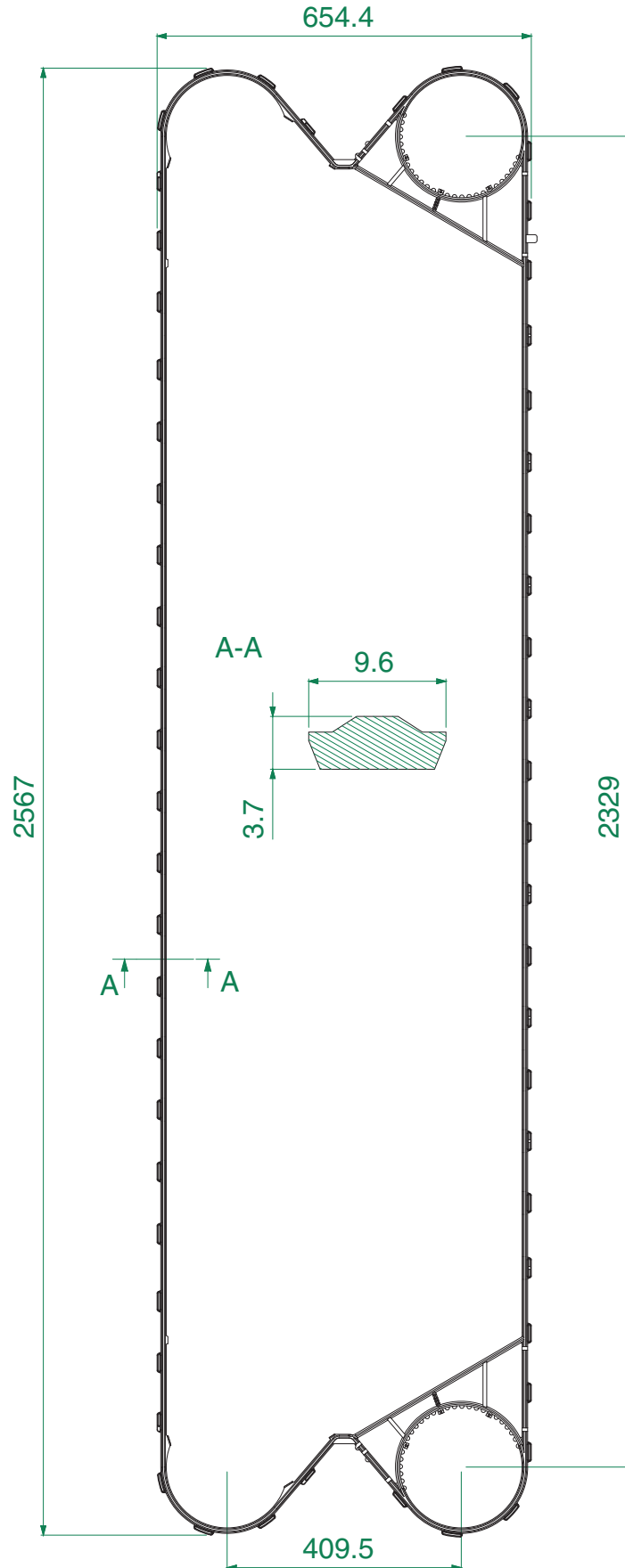
EXCHANGERS

ECHANGEURS

WÄRMEAUSTAUSCHER

INTERCAMBIADORES

Pos	Orobica Code	Model	Brand	Gasket Type	Q.ty
-	900.0336	TR9AL	APV	PARACLIP FLOWPLATE GASKET	-



EXCHANGERS

ECHANGEURS

WÄRMEAUSTAUSCHER

INTERCAMBIADORES

Pos	Orobica Code	Model	Brand	Gasket Type	Q.ty
-	900.0331	TR9AV	APV	PARACLIP FLOWPLATE GASKET	-

