

VENTOSE OVALI

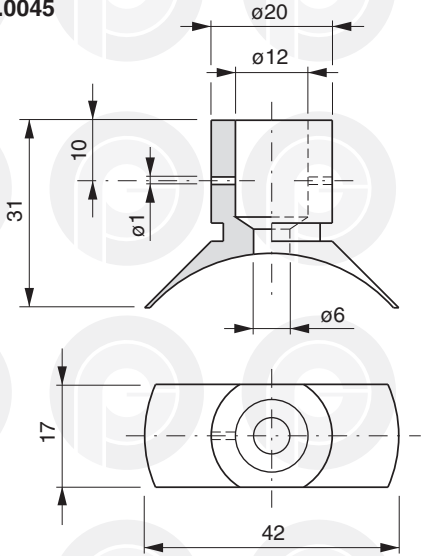
OVAL SUCKERS

VENTOUSES OVALES

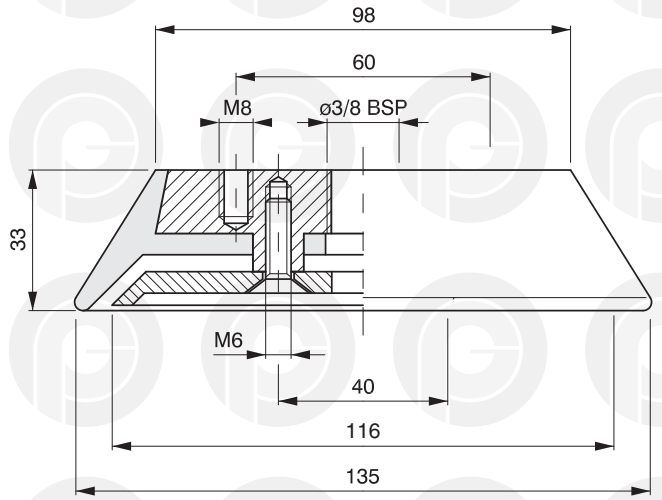
OVALSAUGER

VENTOSAS CONICAS OVALADA

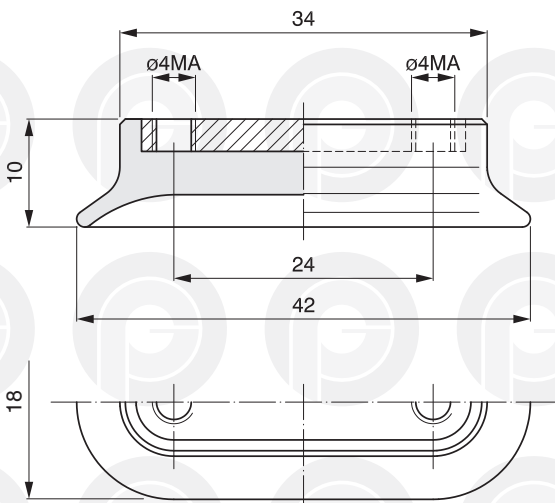
006.0045



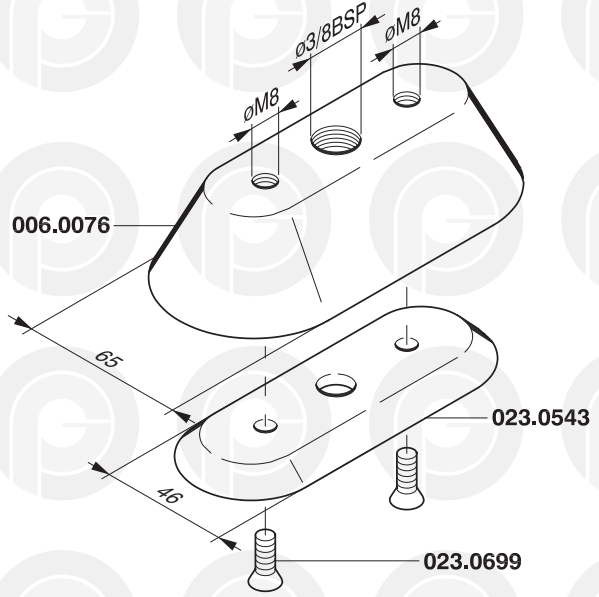
006.00761



006.0080

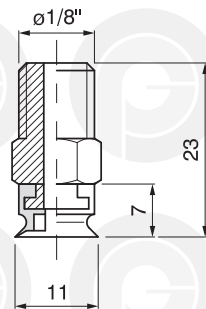
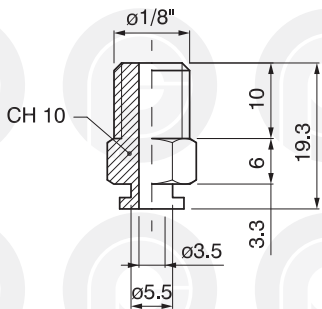
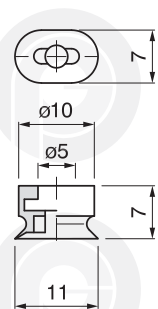


006.0076



023.0543

023.0699



006.0114

+

023.0210

=

006.0225

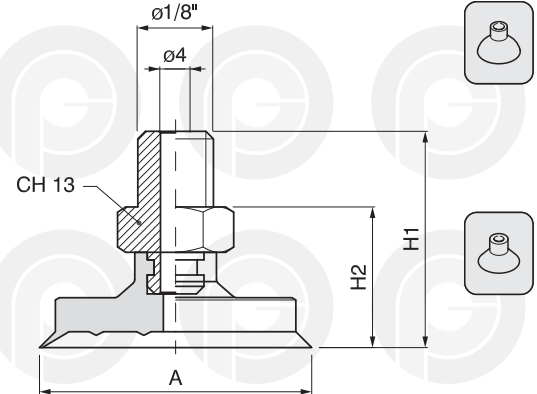
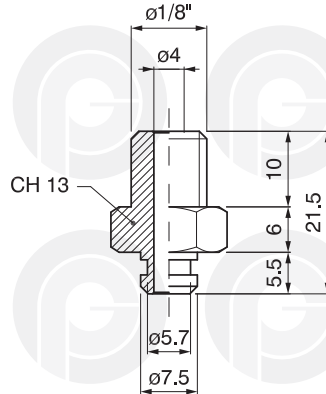
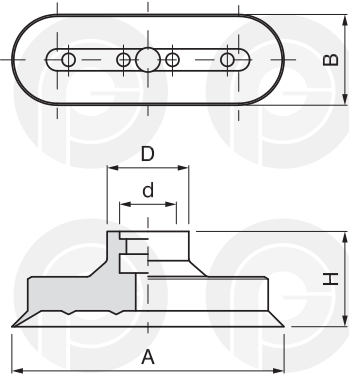
VENTOSE OVALI

OVAL SUCKERS

VENTOUSES OVALES

OVALSAUGER

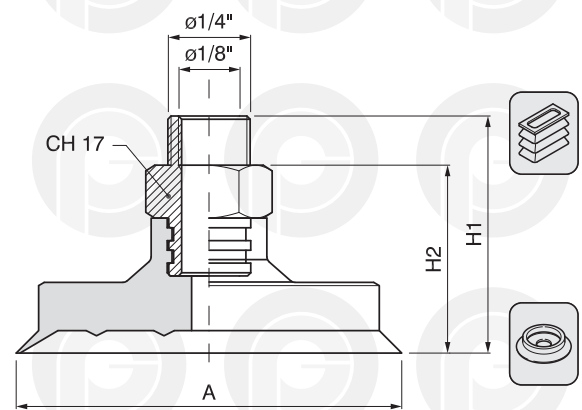
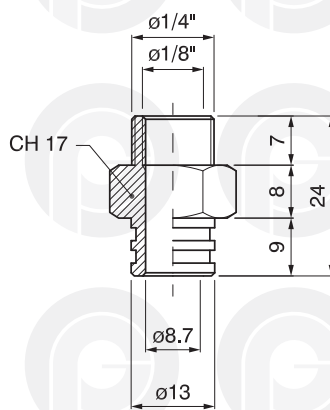
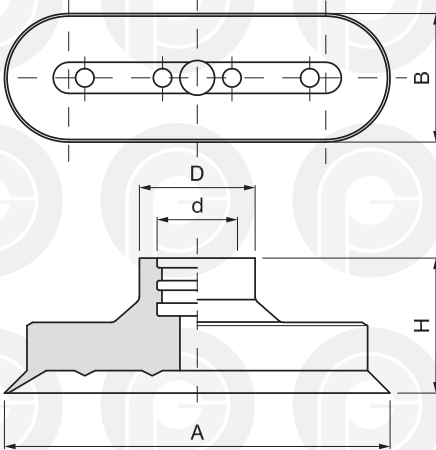
VENTOSAS CONICAS OVALADA



Cod.	A	B	D	d	H
006.0220	7	3,9	5,9	2,5	6
006.0116	15	5	8	5	12
006.0117	18	6	8	5	12
006.0118	24	8	12	5	12
006.0119	29	10	12	5	12
006.0120	36	12	12	5	12

+ 023.0209 =

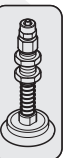
Cod.	A	H1	H2
006.0226	15	28	18
006.0227	18	28	18
006.0228	24	28	18
006.0229	29	28	18
006.0230	36	28	18



Cod.	A	B	D	d	H
006.0121	45	15	17	11	21
006.0122	60	20	18	11	21
006.0123	75	25	18	11	21
006.0124	85	28	18	11	21
006.0125	100	35	18	11	21

+ 023.0207 =

Cod.	A	H1	H2
006.0231	45	36	29
006.0232	60	36	29
006.0233	75	36	29
006.0234	85	36	29
006.0235	100	36	29



VENTOSE OVALI

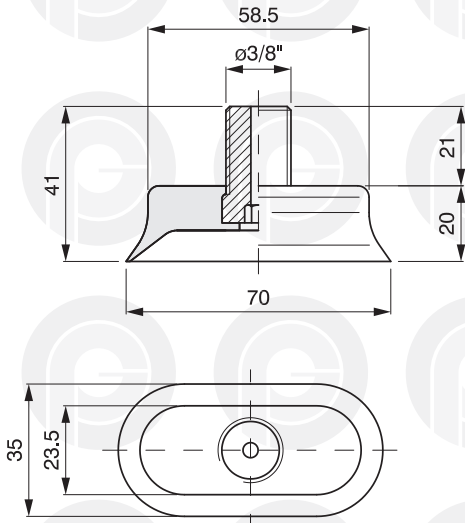
OVAL SUCKERS

VENTOUSES OVALES

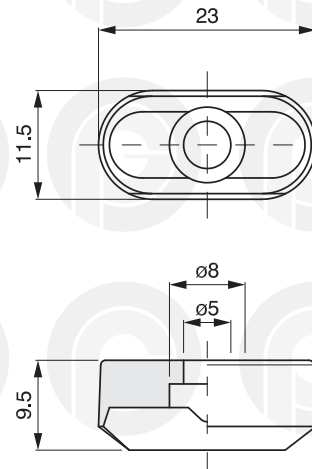
OVALSAUGER

VENTOSAS CONICAS OVALADA

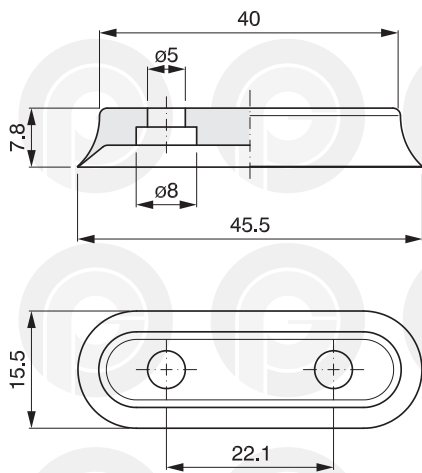
006.0126



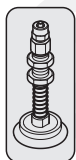
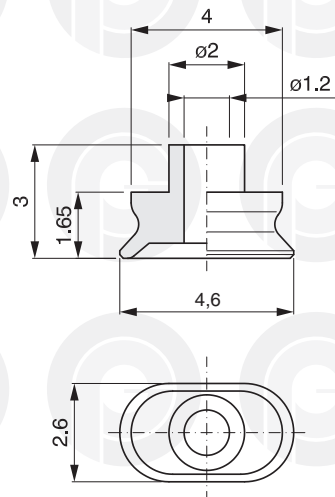
006.0170



006.0193



006.0196



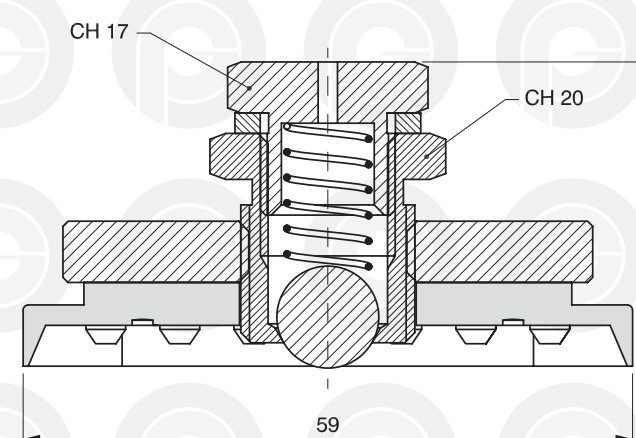
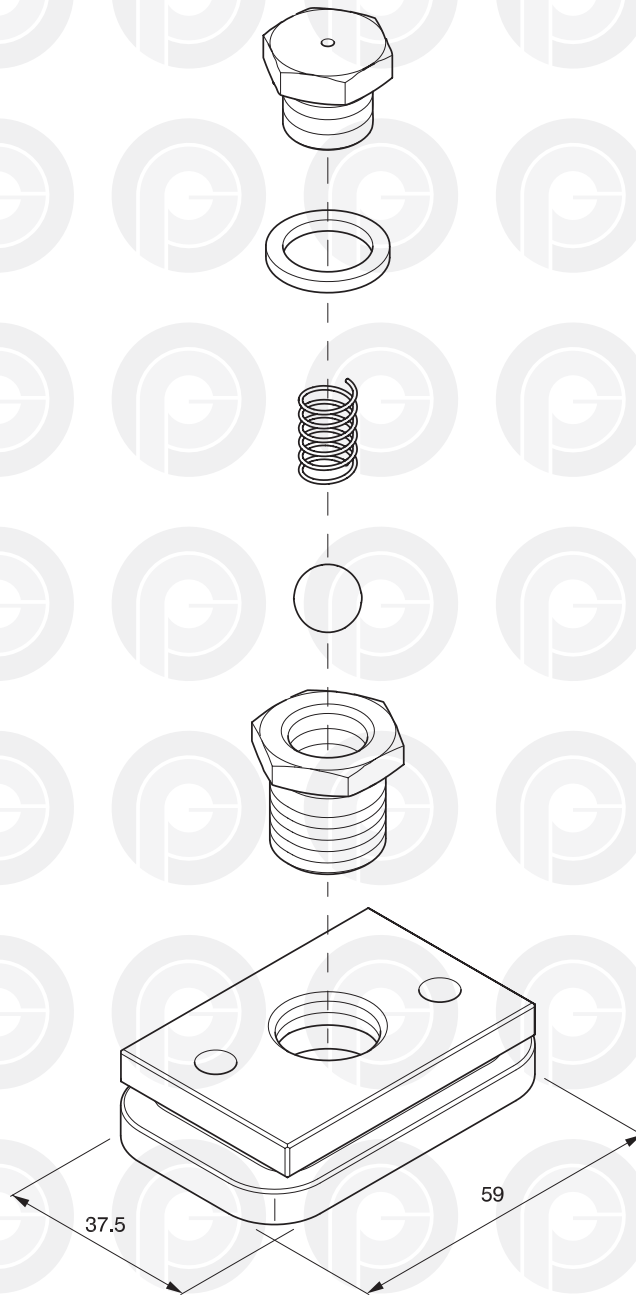
VENTOSE OVALI

OVAL SUCKERS

VENTOUSES OVALES

OVALSAUGER

VENTOSAS CONICAS OVALADA



023.0213

+

023.0017

+

029.0037

+

023.0018

+

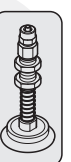
023.0214

+

006.0222

||

009.1005



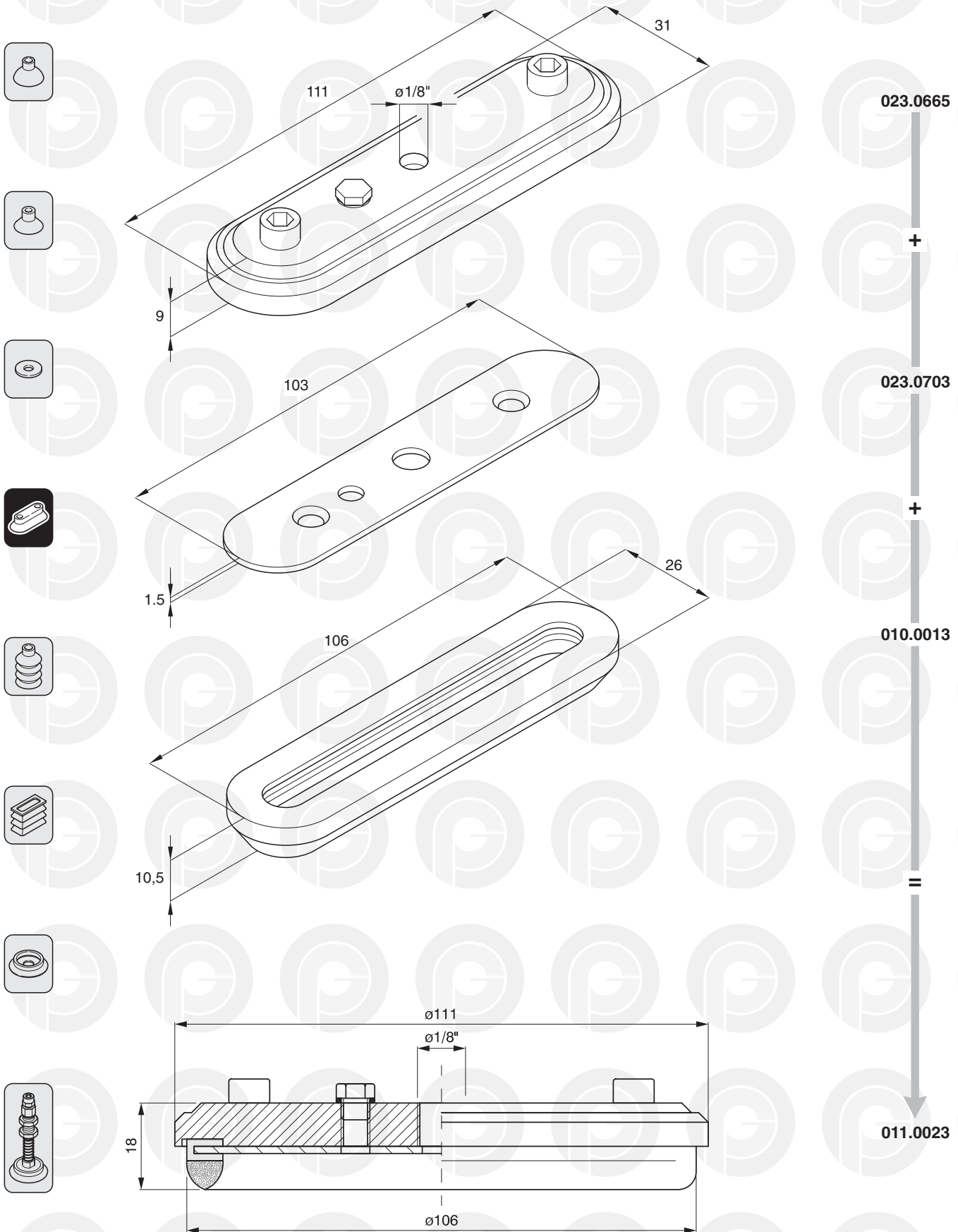
VENTOSE OVALI

OVAL SUCKERS

VENTOUSES OVALES

OVALSAUGER

VENTOSAS CONICAS OVALADA



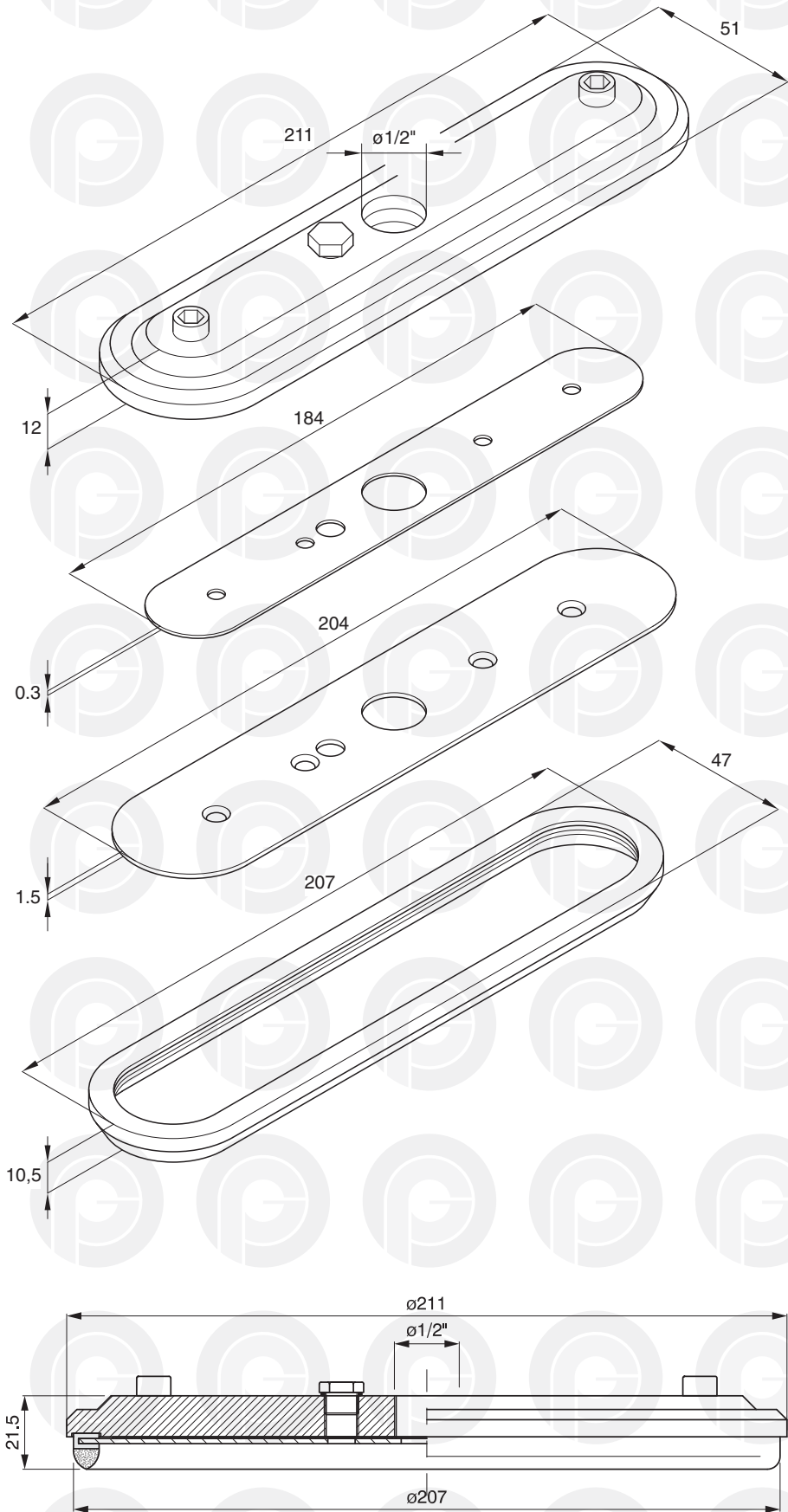
VENTOSE OVALI

OVAL SUCKERS

VENTOUSES OVALES

OVALSAUGER

VENTOSAS CONICAS OVALADA



023.0666

+

023.07041

+

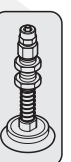
023.0704

+

010.0014

=

011.0024



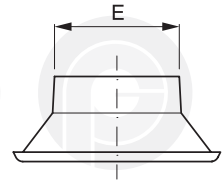
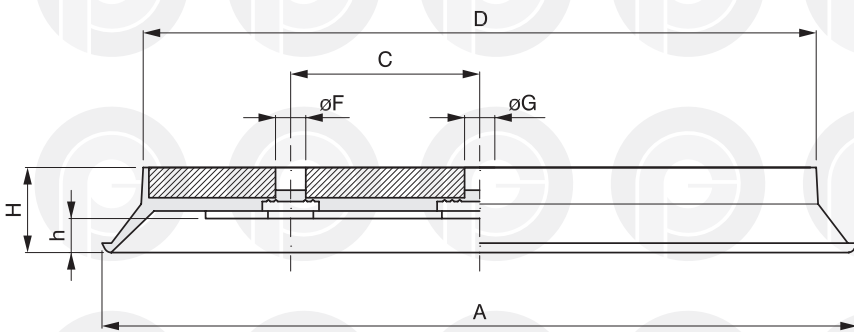
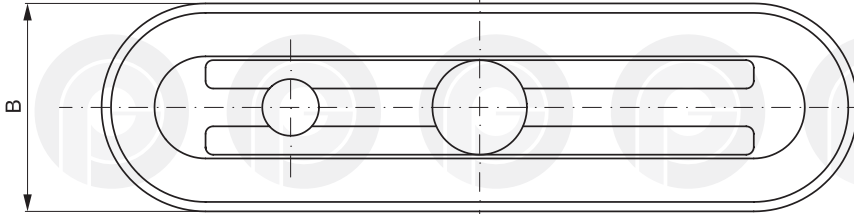
VENTOSE OVALI

OVAL SUCKERS

VENTOUSES OVALES

OVALSAUGER

VENTOSAS CONICAS OVALADA



Cod.	A	B	C	D	E	F	G	H	h
006.0164	100	55	25	78	33	8	8	22.5	9
006.0165	150	55	40	128	33	8	8	22.5	9
006.0166	200	55	50	178	33	8	8	22.5	9
006.0167	300	55	100	278	33	8	8	21.5	8
006.0168	500	180	160	432	112	8	8	40	21.5



006.0244

