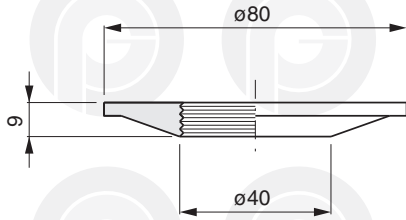


**GUARNIZIONI IMBOCCATURA LATTINE**

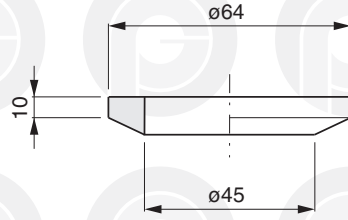
TIN CONVEYING SYSTEM SEALS  
DOSEN-DICHTUNG

JOINTS POUR REMPLISSEUSES DE CANETTES  
JUNTAS PARA EMBOCADURA LATAS

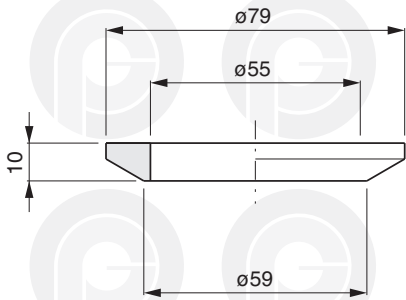
035.1500



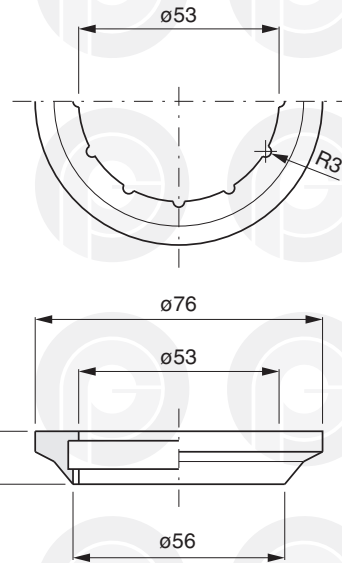
035.1501



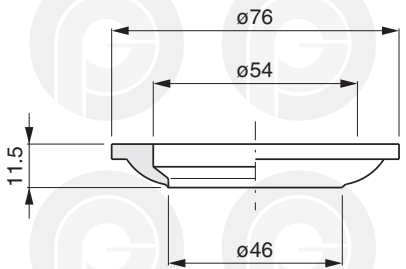
035.1502



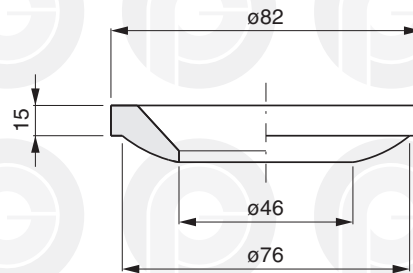
035.1503



035.1504



035.1505

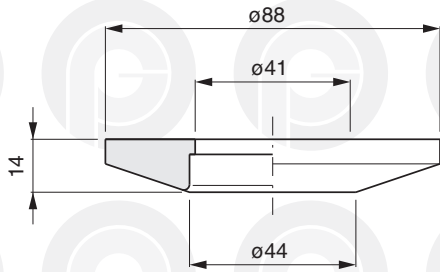


**GUARNIZIONI IMBOCCATURA LATTINE**

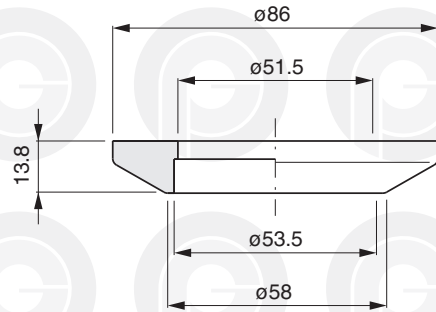
**TIN CONVEYING SYSTEM SEALS**  
**DOSEN-DICHTUNG**

**JOINTS POUR REMPLISSEUSES DE CANETTES**  
**JUNTAS PARA EMBOCADURA LATAS**

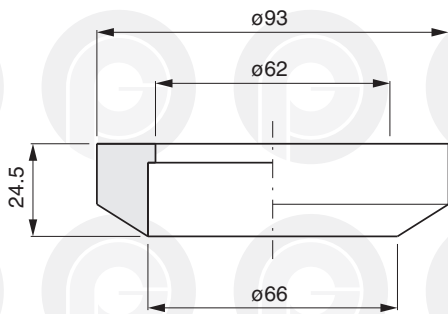
035.1506



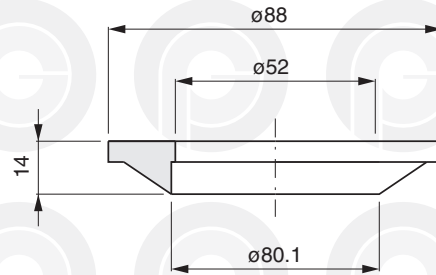
035.1507



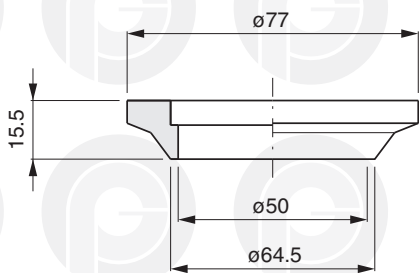
035.1508



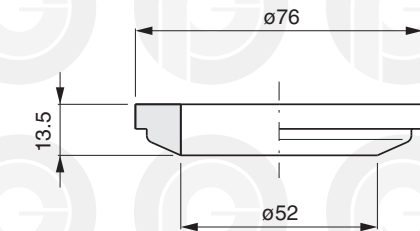
035.1509



035.1510



035.1511

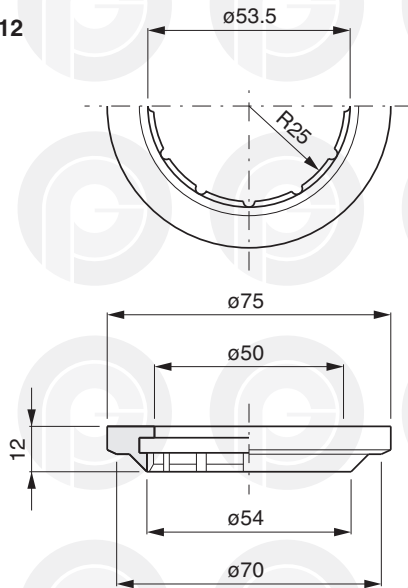


GUARNIZIONI IMBOCCATURA LATTINE

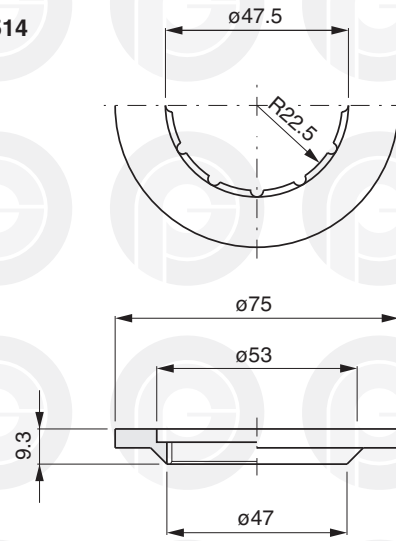
TIN CONVEYING SYSTEM SEALS  
DOSEN-DICHTUNG

JOINTS POUR REMPLISSEUSES DE CANETTES  
JUNTAS PARA EMBOCADURA LATAS

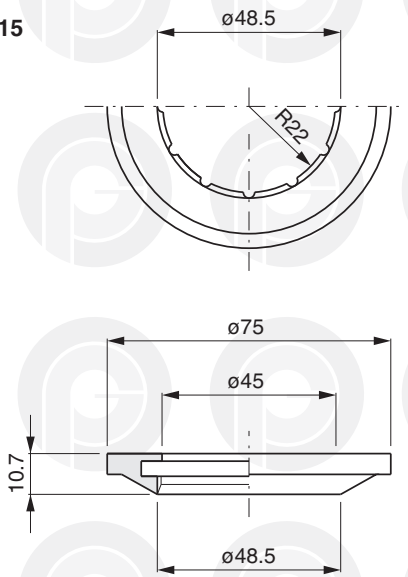
035.1512



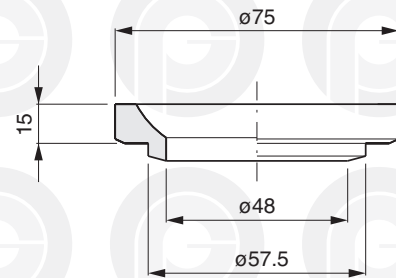
035.1514



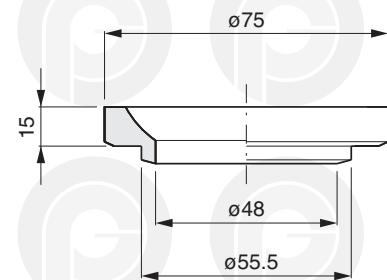
035.1515



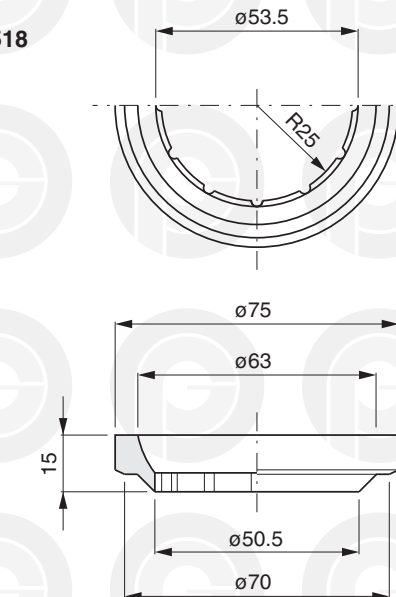
035.1516



035.1517



035.1518

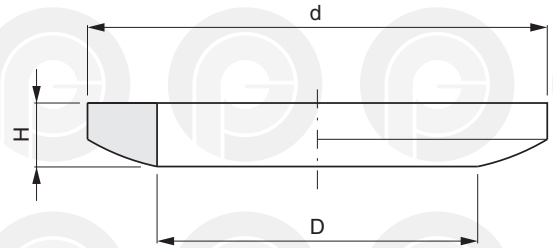
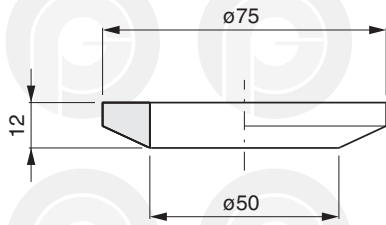


## GUARNIZIONI IMBOCCATURA LATTINE

TIN CONVEYING SYSTEM SEALS  
DOSEN-DICHTUNG

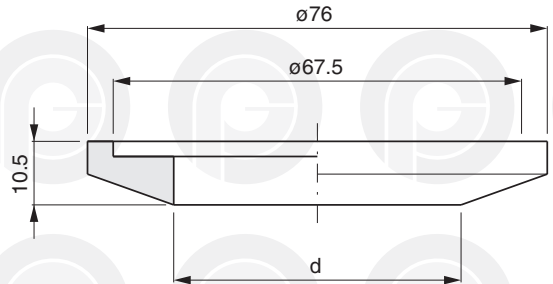
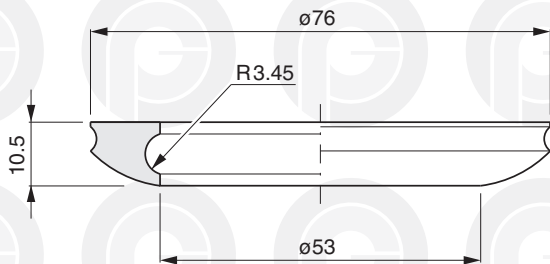
JOINTS POUR REMPLISSEUSES DE CANETTES  
JUNTAS PARA EMBOCADURA LATAS

035.1519



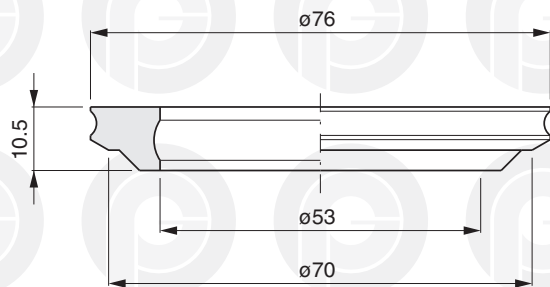
COD.	D	d	H
035.1520	76	53	10.5
035.1529	95	73	10.5

035.1521

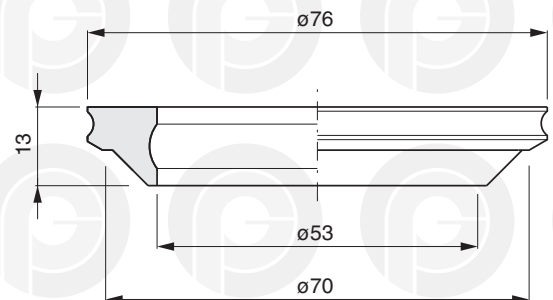


COD.	d
035.1522	47.5
035.1523	56.5

035.1524



035.1525

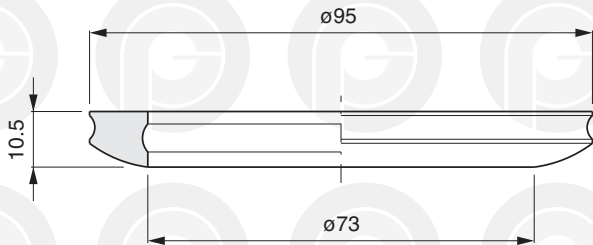


## GUARNIZIONI IMBOCCATURA LATTINE

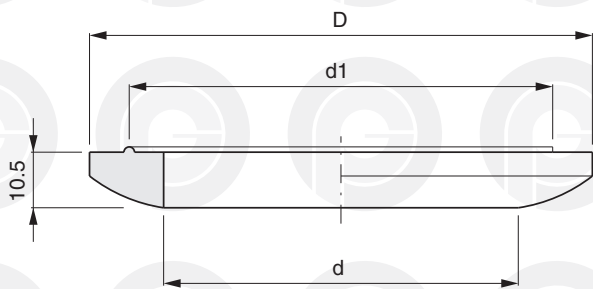
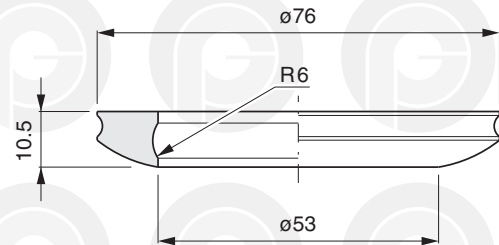
TIN CONVEYING SYSTEM SEALS  
DOSEN-DICHTUNG

JOINTS POUR REMPLISSEUSES DE CANETTES  
JUNTAS PARA EMBOCADURA LATAS

035.1526

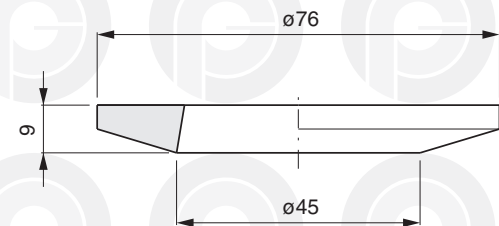


035.1527

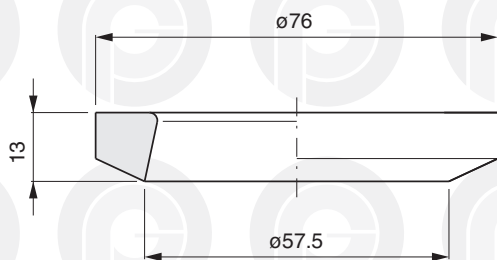


COD.	D	d	d1
035.1531	76	45	65
035.1532	76	53	65
035.1528	95	67	80
035.1530	95	58	76

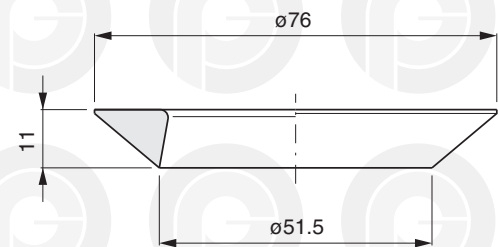
035.1533



035.1534



035.1535

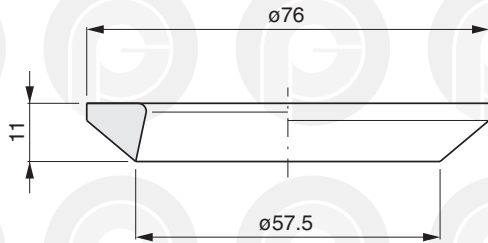


**GUARNIZIONI IMBOCCATURA LATTINE**

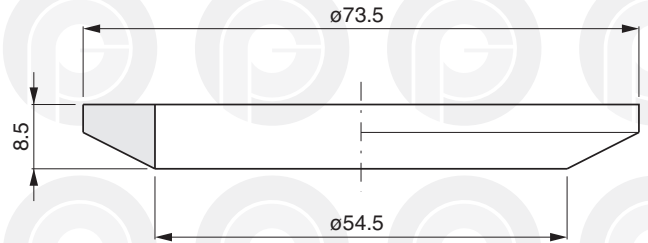
TIN CONVEYING SYSTEM SEALS  
DOSEN-DICHTUNG

JOINTS POUR REMPLISSEUSES DE CANETTES  
JUNTAS PARA EMBOCADURA LATAS

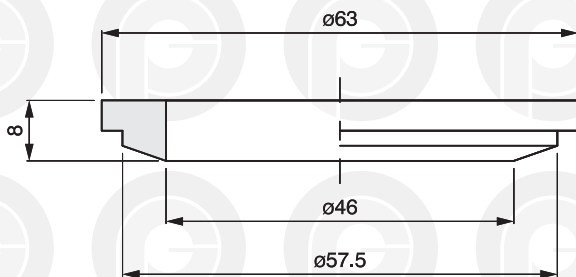
035.1536



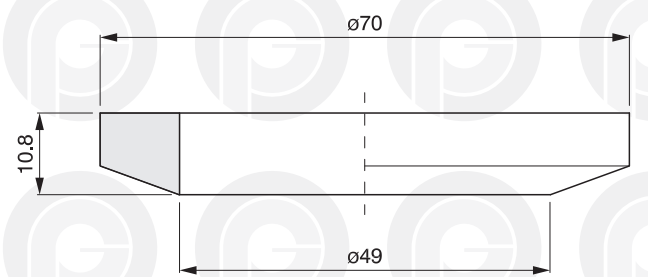
035.1537



035.1538



035.1549



035.1553

